



US00D379533S

United States Patent [19]
DiGiorgio

[11] **Patent Number: Des. 379,533**

[45] **Date of Patent: **May 27, 1997**

[54] **SLIDER FRAME**

[75] **Inventor: Tony DiGiorgio, Woodbridge, Canada**

[73] **Assignee: Dominion Plastics Inc., Woodbridge, Canada**

[**] **Term: 14 Years**

[21] **Appl. No.: 55,198**

[22] **Filed: May 31, 1996**

[51] **LOC (6) Cl. 25-01**

[52] **U.S. Cl. D25/124**

[58] **Field of Search D25/48, 52, 60, D25/119, 125; 52/204.51, 204.5, 204.55; 49/DIG. 2, 501, 504, 142-145, 155, 156, 164**

[56]

References Cited

U.S. PATENT DOCUMENTS

D. 341,216 11/1993 Slocomb, Jr. et al. D25/124
4,554,770 11/1985 Andeno 52/204.51
5,003,747 4/1991 Morton 52/656.5

Primary Examiner—Doris Clark

[57]

CLAIM

The ornamental design for a slider frame, as shown and described.

DESCRIPTION

FIG. 1 is a perspective view of the slider frame; and, FIG. 2 is an end view slider frame.

The slider frame is broken away near the end to indicate indeterminate length.

1 Claim, 1 Drawing Sheet

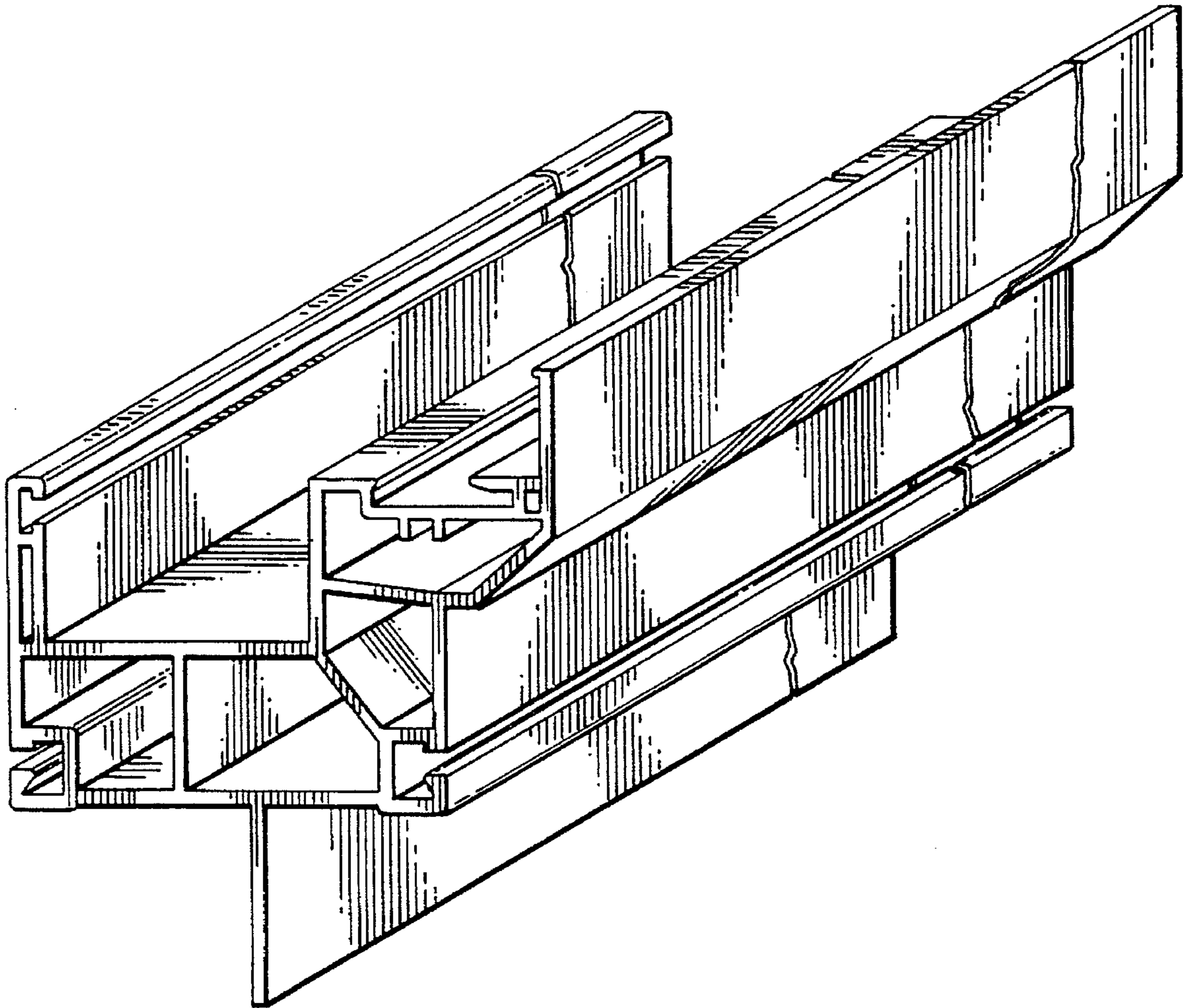


FIG. 1.

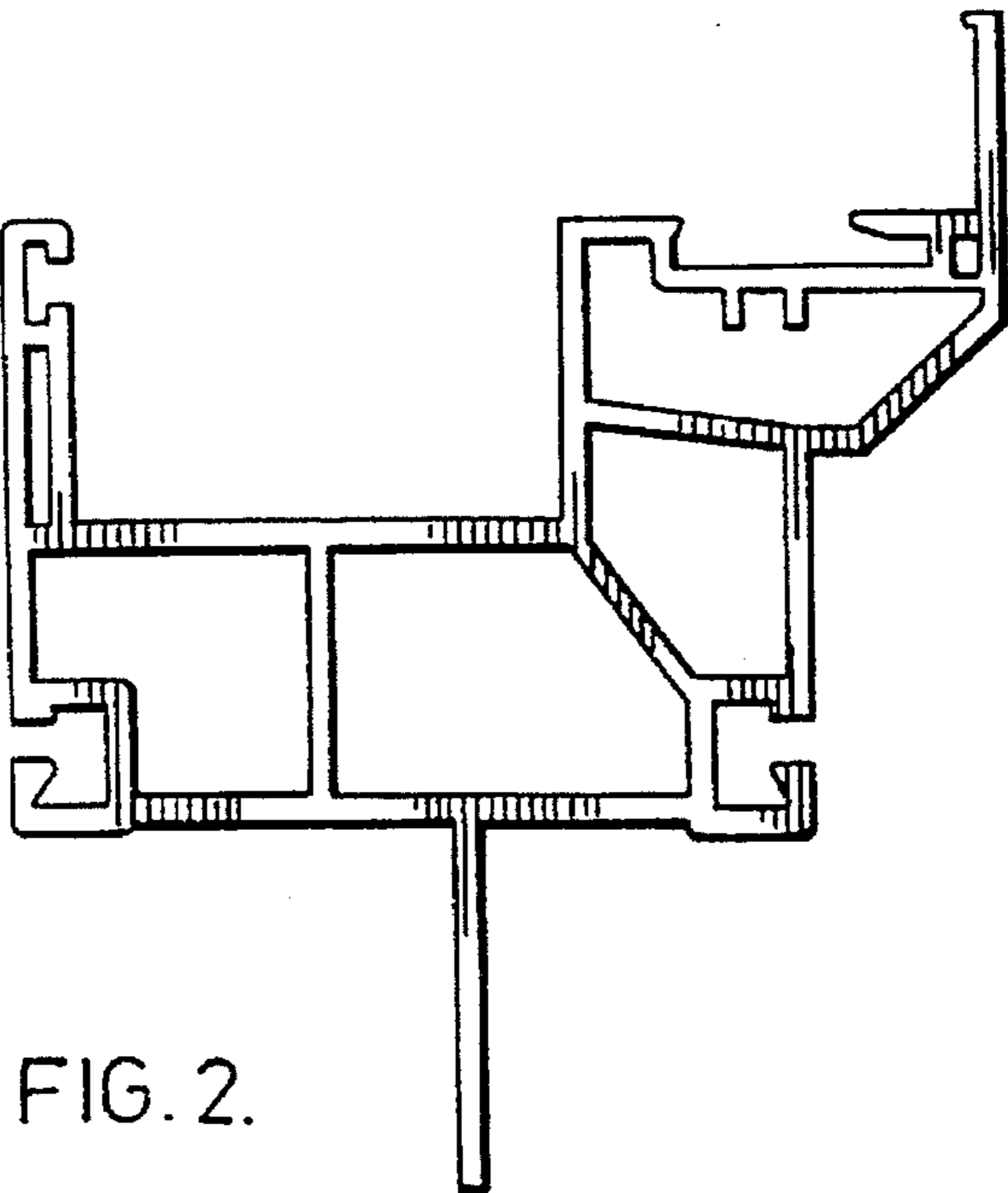
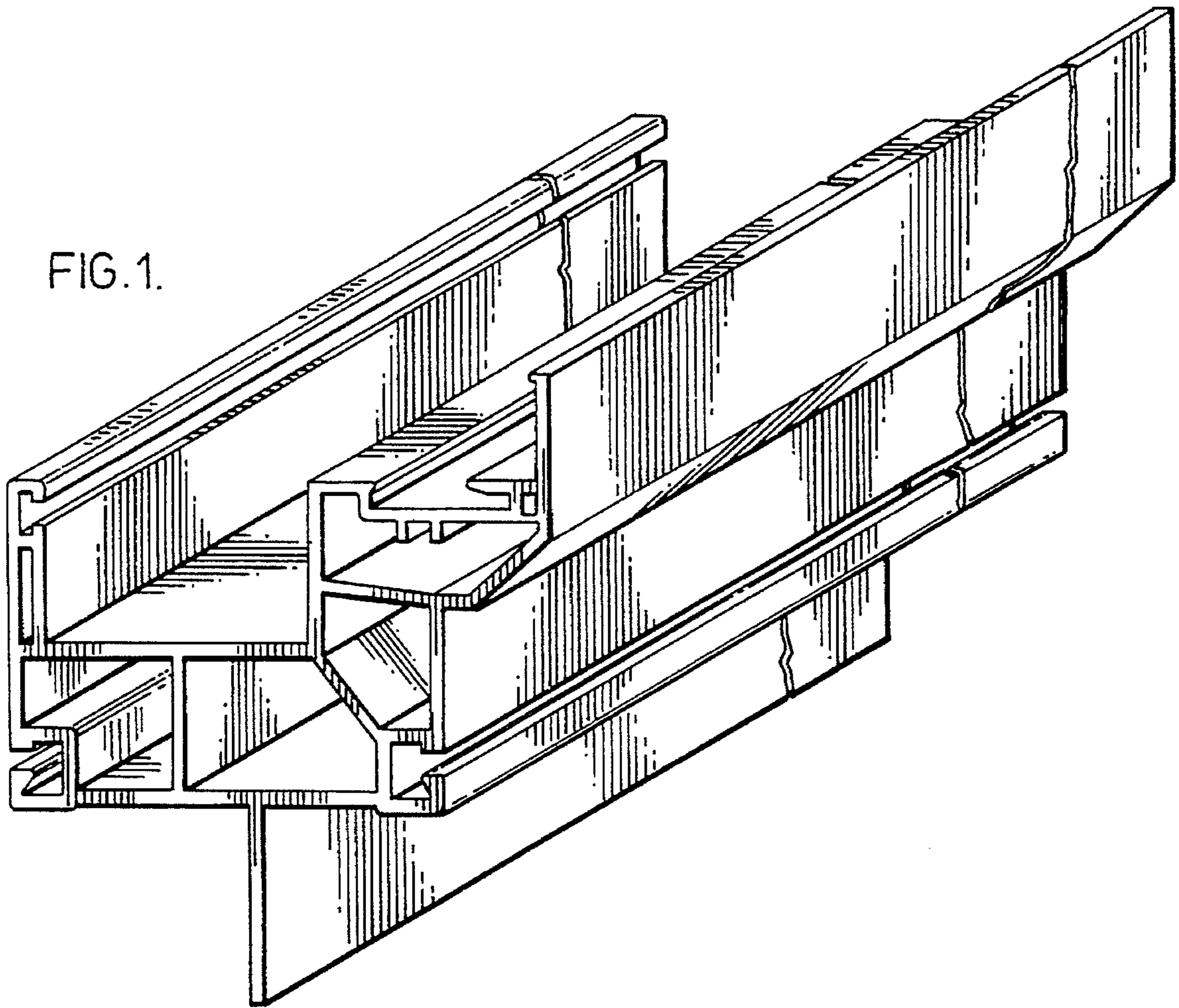


FIG. 2.