



US00D379532S

United States Patent [19]
DiGiorgio

[11] **Patent Number:** **Des. 379,532**
[45] **Date of Patent:** ****May 27, 1997**

[54] **MULLION**

5,435,106 7/1995 Games et al. 52/656.6

[75] **Inventor:** **Tony DiGiorgio**, Woodbridge, Canada

Primary Examiner—Doris Clark

[73] **Assignee:** **Dominion Plastics Inc.**, Woodbridge, Canada

[**] **Term:** **14 Years**

[57] **CLAIM**

The ornamental design for a mullion, as shown and described.

[21] **Appl. No.:** **55,171**

[22] **Filed:** **May 31, 1996**

DESCRIPTION

[51] **LOC (6) Cl.** **25-01**

[52] **U.S. Cl.** **D25/124**

[58] **Field of Search** D25/48, 52, 60,
D25/119-125; 49/501, 504, DIG. 2; 52/204.5,
204.55, 656.4-656.7

FIG. 1 is a perspective view of the mullion; and,

FIG. 2 is an end view mullion.

The mullion is broken away near the end to indicate indeterminate length.

[56] **References Cited**

U.S. PATENT DOCUMENTS

D. 296,242 6/1988 Sperr D25/124

1 Claim, 1 Drawing Sheet

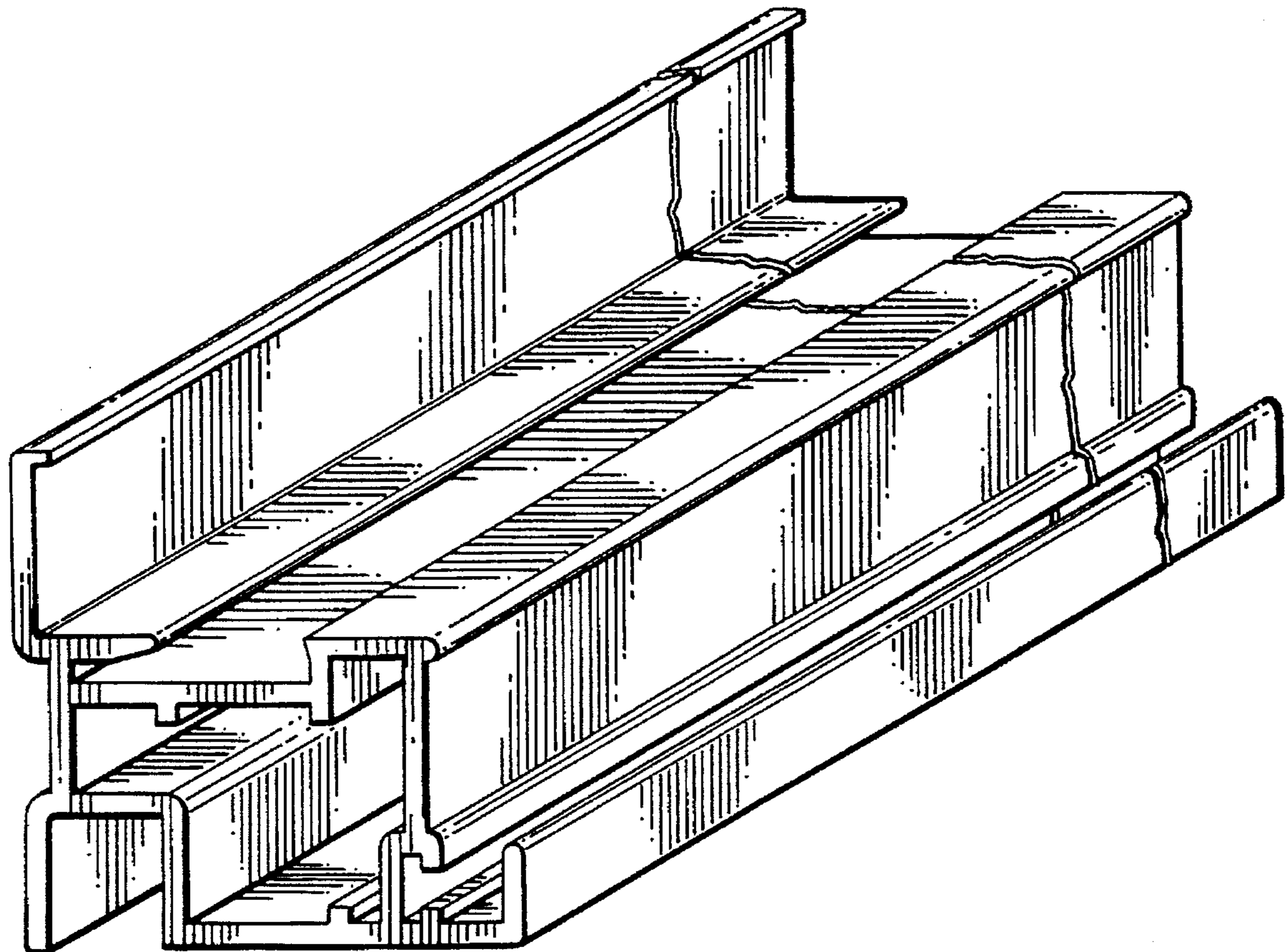


FIG. 1.

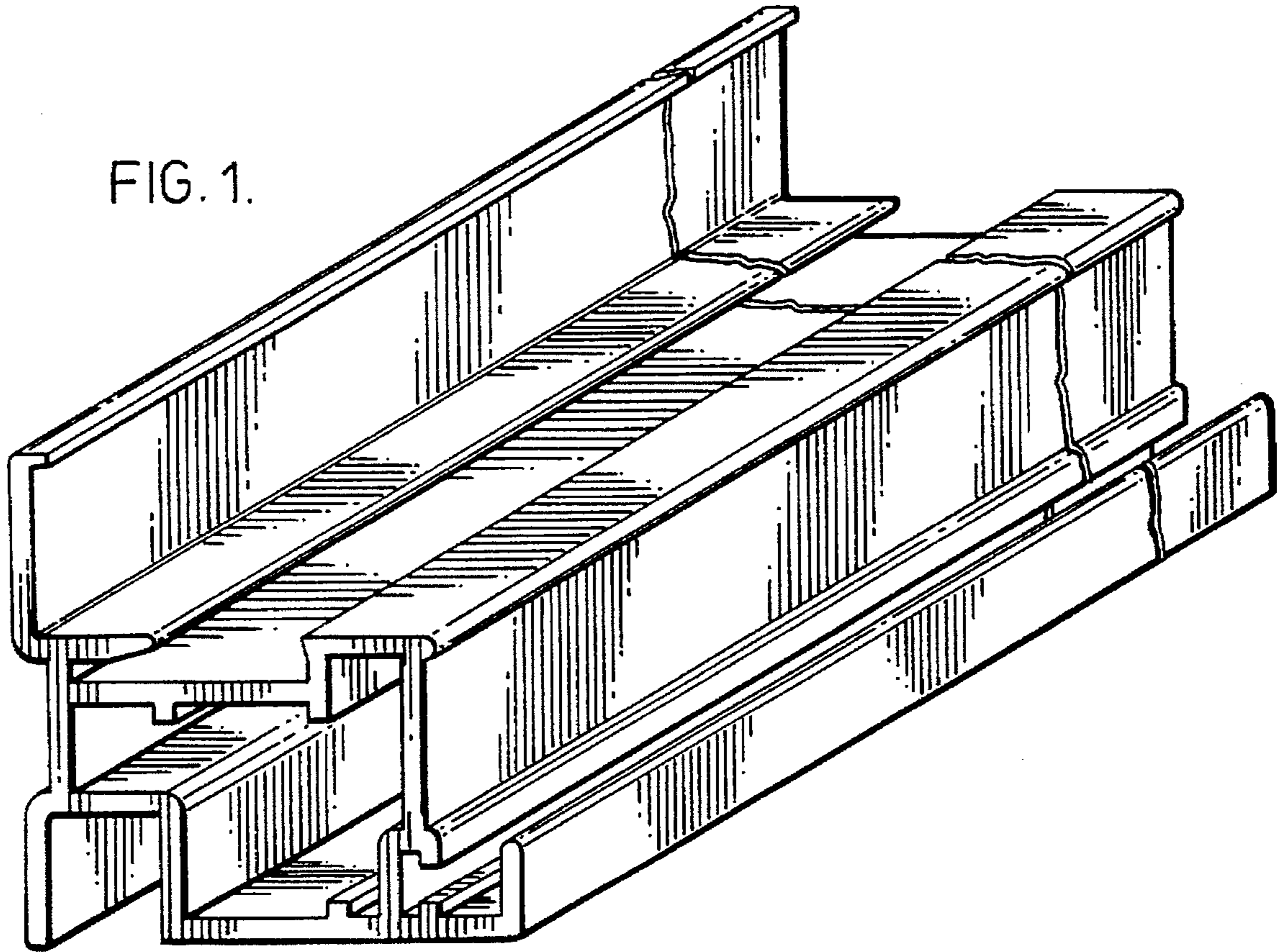


FIG. 2.

