



US00D379531S

United States Patent [19]
DiGiorgio

[11] **Patent Number: Des. 379,531**
[45] **Date of Patent: **May 27, 1997**

[54] **MEETING RAIL**

D. 334,988 4/1993 Cole D25/124

[75] **Inventor: Tony DiGiorgio, Woodbridge, Canada**

Primary Examiner—Doris Clark

[73] **Assignee: Dominion Plastics Inc., Woodbridge, Canada**

[57] **CLAIM**

[**] **Term: 14 Years**

The ornamental design for a meeting rail, as shown and described.

[21] **Appl. No.: 55,120**

[22] **Filed: May 30, 1996**

DESCRIPTION

[51] **LOC (6) Cl. 25-01**

[52] **U.S. Cl. D25/124**

[58] **Field of Search** D25/48, 60, 119-125;
49/501, 504, DIG. 2; 52/204.5, 204.55,
656.7, 656.4, 656.5, 656.6

FIG. 1 is a perspective view of the meeting rail; and,

FIG. 2 is an end view meeting rail.

The meeting rail is broken away near the end to indicate indeterminate length.

[56] **References Cited**

U.S. PATENT DOCUMENTS

D. 283,252 4/1986 Bancroft D25/124

1 Claim, 1 Drawing Sheet

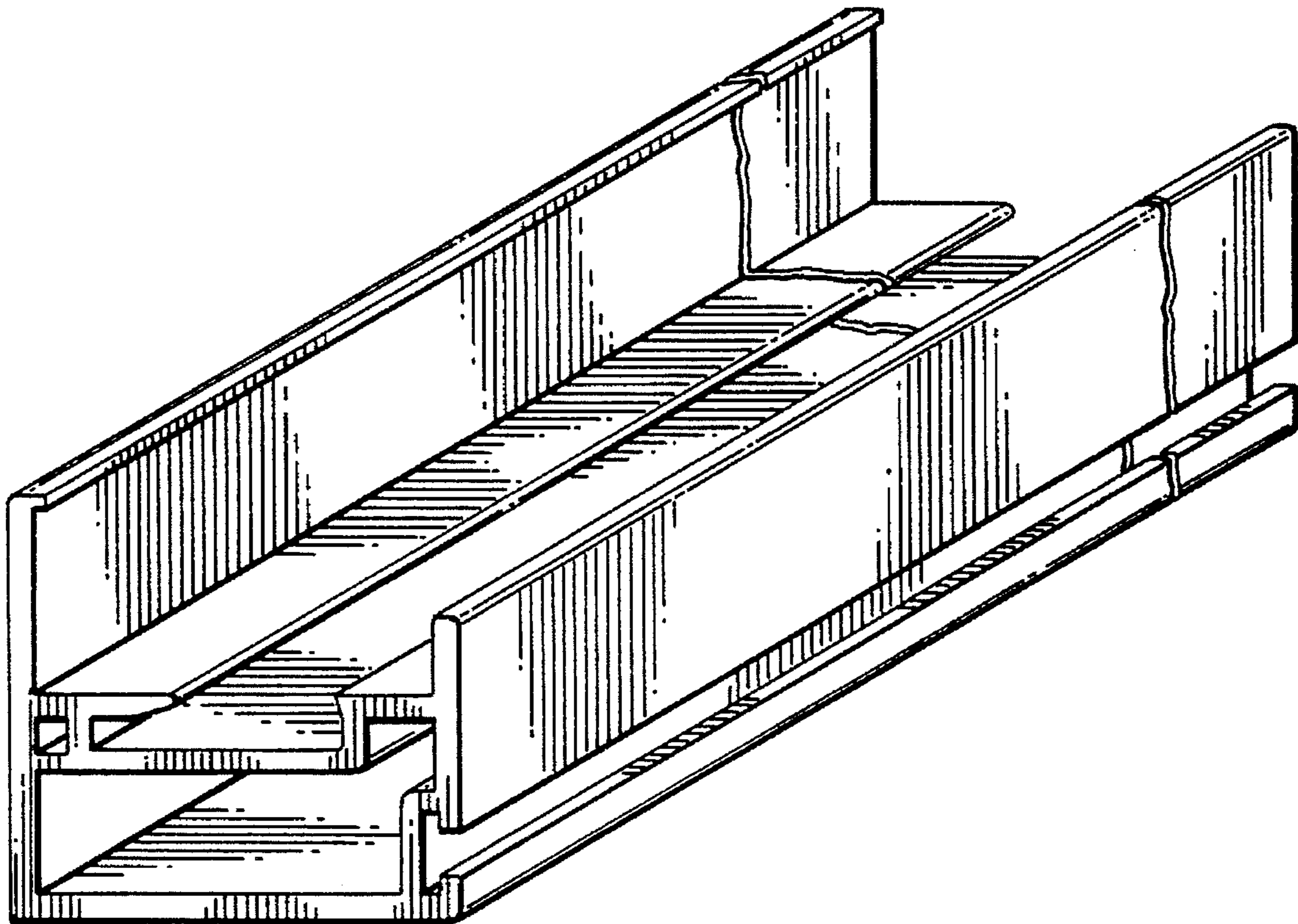


FIG. 1.

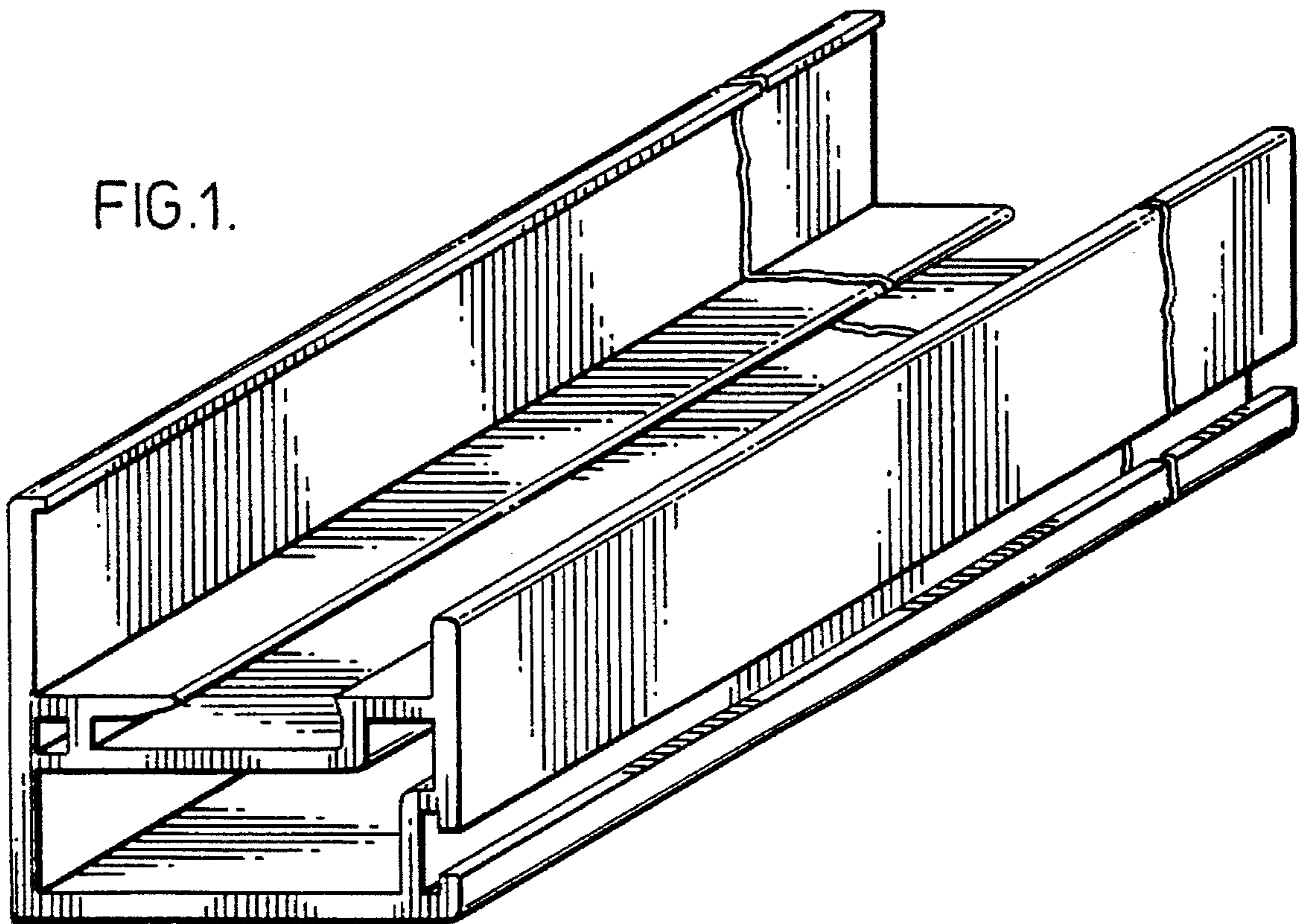


FIG. 2.

