



US00D379530S

United States Patent [19]

[11] **Patent Number: Des. 379,530**

Leonelli

[45] **Date of Patent: **May 27, 1997**

[54] **LIGHT FRAME**

[75] **Inventor: Louie Leonelli, Woodbridge, Canada**

[73] **Assignee: Pillar Plastics Limited, Concord, Canada**

[**] **Term: 14 Years**

3,903,669	9/1975	Pease, Jr. et al.	52/455
4,021,967	5/1977	Mulder et al.	52/455 X
4,407,100	10/1983	Huelsekopf	52/204.597 X
4,750,310	6/1988	Holcombe	52/204.591 X
4,947,606	8/1990	La See	52/455
5,018,330	5/1991	Lewkowitz	52/455
5,040,347	8/1991	Valvis	52/204.591
5,133,168	7/1992	Neilly et al.	52/455 X

FOREIGN PATENT DOCUMENTS

[21] **Appl. No.: 48,391**

1167322	5/1984	Canada	52/204.62
---------	--------	-------------	-----------

[22] **Filed: Dec. 27, 1995**

Primary Examiner—Doris Clark

[51] **LOC (6) Cl. 25-01**

[52] **U.S. Cl. D25/124**

[58] **Field of Search D25/52, 60, 124, D25/125; 52/204.5, 455**

[57] **CLAIM**

The ornamental design for a light frame, as shown and described.

[56] **References Cited**

DESCRIPTION

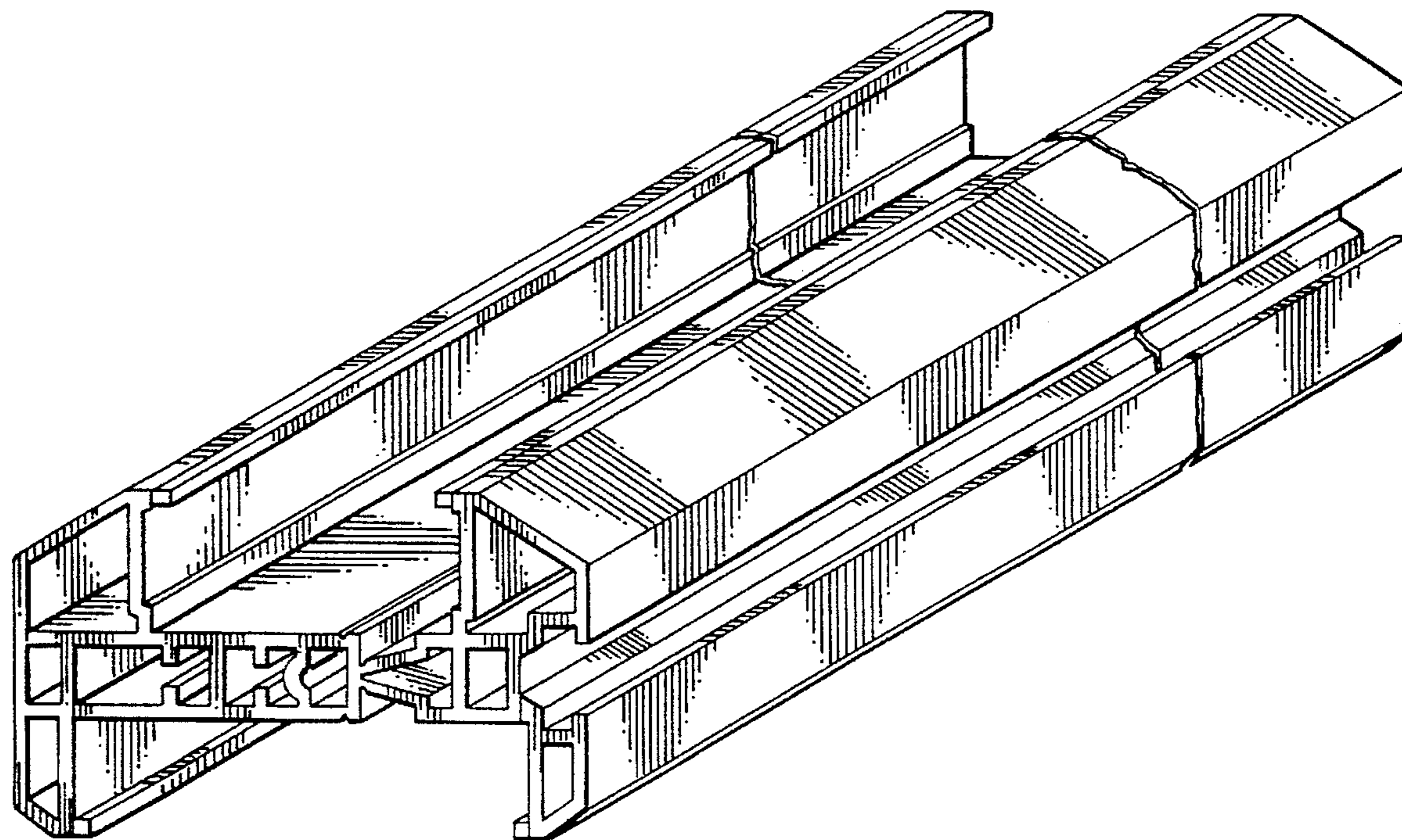
U.S. PATENT DOCUMENTS

FIG. 1 is a perspective view of the light frame; and, FIG. 2 is an end view of the light frame.

D. 166,207	3/1952	McNally et al.	D25/60
D. 243,677	3/1977	Dallaire	D25/124
D. 333,525	2/1993	Stagl	D25/124
3,184,801	5/1965	Fletcher	D25/60

A segment of the light frame is broken away to indicate indeterminate length.

1 Claim, 1 Drawing Sheet



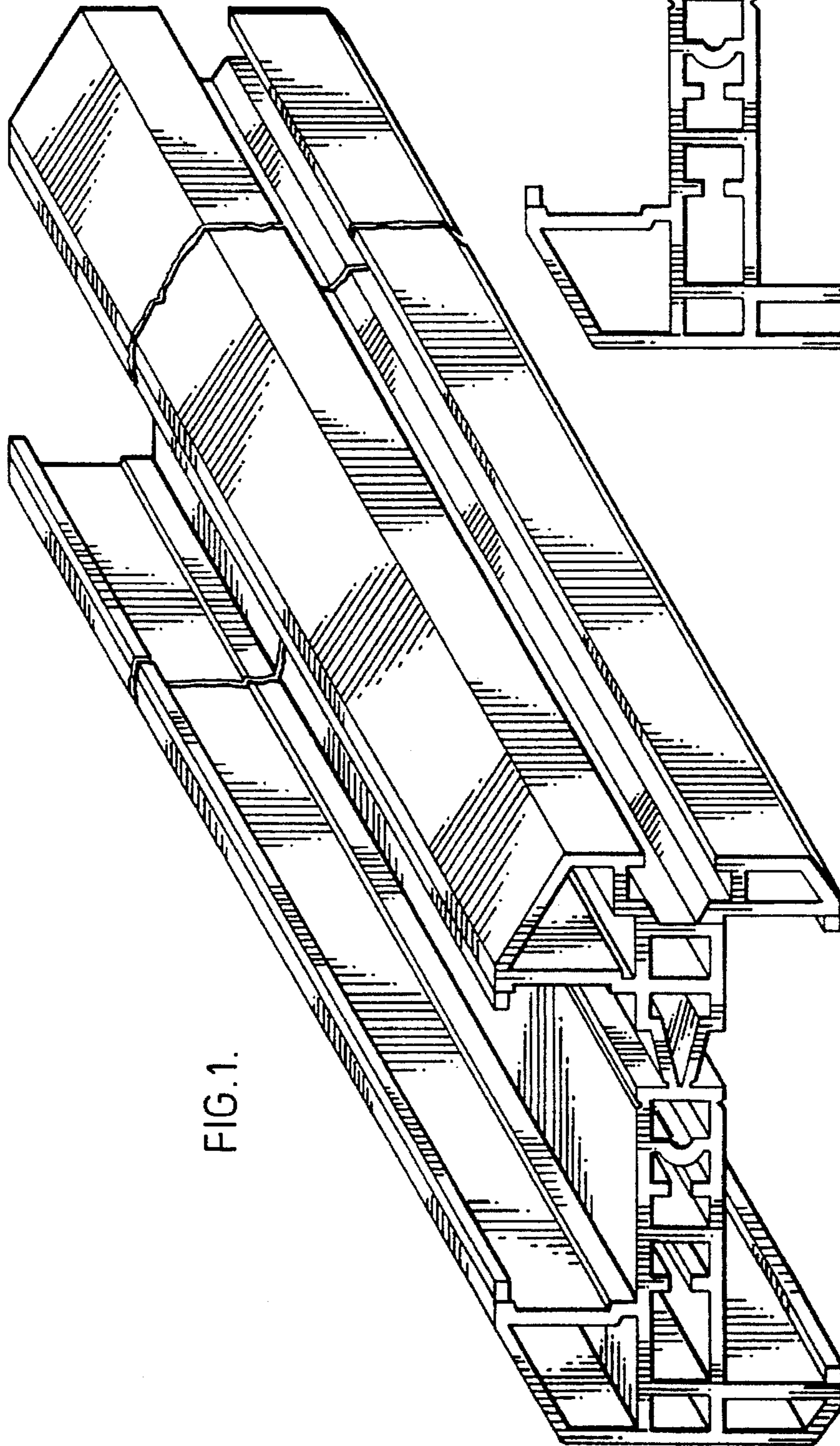


FIG. 1.

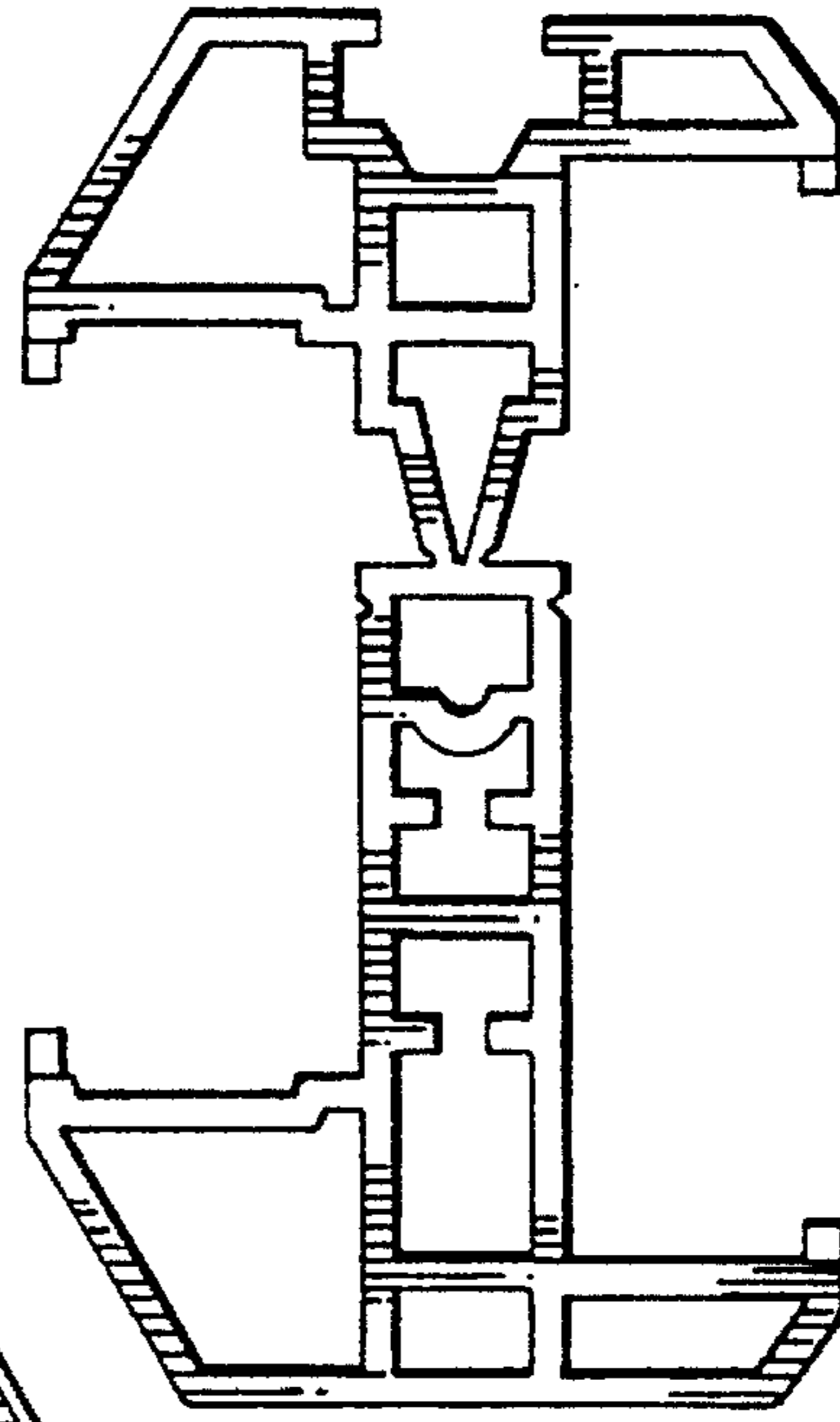


FIG. 2.