



US00D379529S

United States Patent [19]
DiGiorgio

[11] **Patent Number:** **Des. 379,529**

[45] **Date of Patent:** ****May 27, 1997**

[54] **SINGLE HUNG SLIDER FRAME**

Primary Examiner—Doris Clark

[75] **Inventor:** **Tony DiGiorgio**, Woodbridge, Canada

[57] **CLAIM**

[73] **Assignee:** **Dominion Plastics Inc.**, Woodbridge, Canada

The ornamental design for a single hung slider frame, as shown and described.

[**] **Term:** **14 Years**

DESCRIPTION

[21] **Appl. No.:** **48,091**

FIG. 1 is a perspective view from above the single hung slider frame; and,

[22] **Filed:** **Dec. 20, 1995**

FIG. 2 is an end view of the single hung slider frame.

[51] **LOC (6) Cl.** **25-02**

[52] **U.S. Cl.** **D25/124**

[58] **Field of Search** D25/60, 52, 119-125; 49/501, 504, DIG. 2, 407-408; 52/204.5

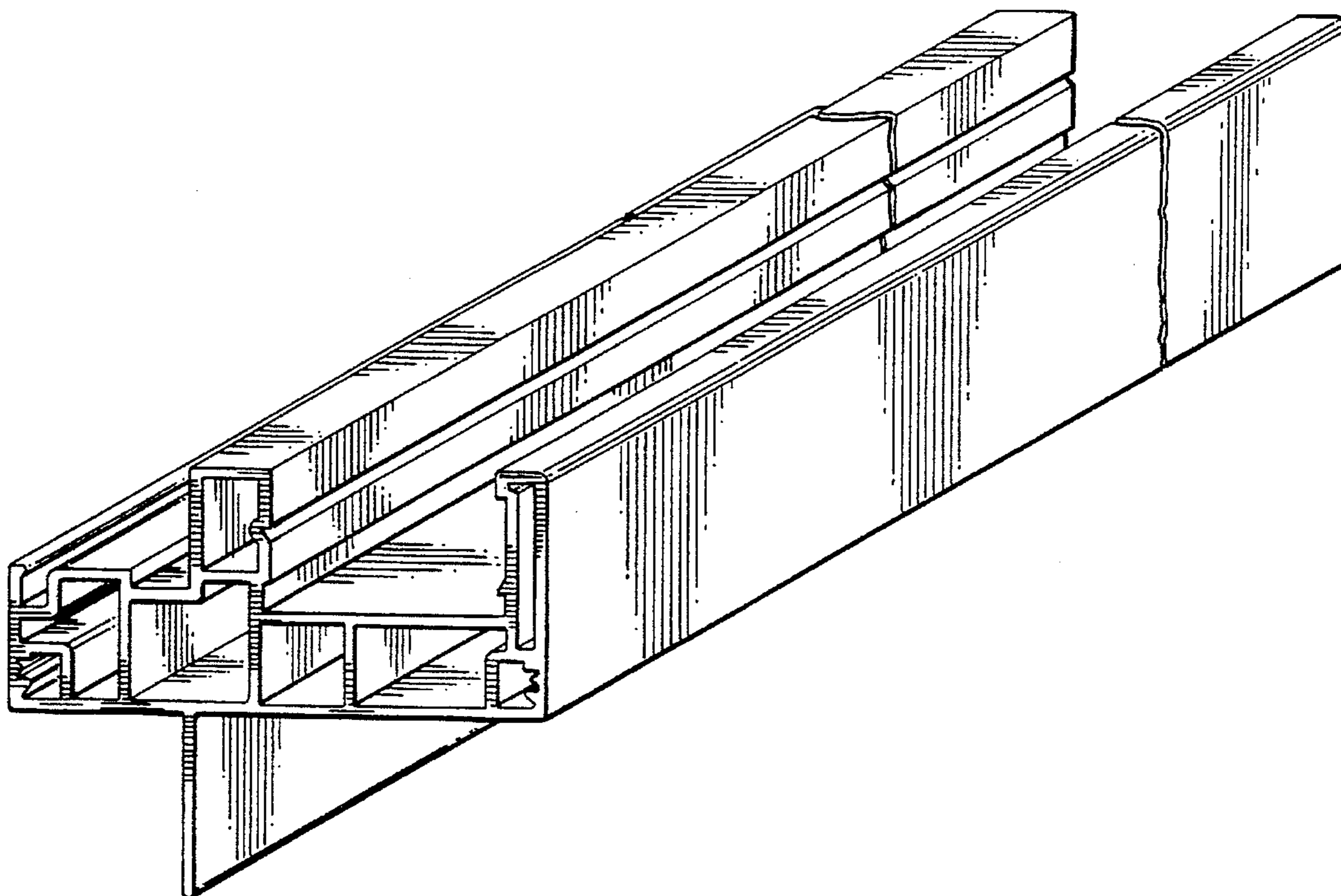
The single hung slider frame is broken away in the center to indicate indeterminate length.

[56] **References Cited**

U.S. PATENT DOCUMENTS

D. 336,143 6/1993 Cole D25/124

1 Claim, 1 Drawing Sheet



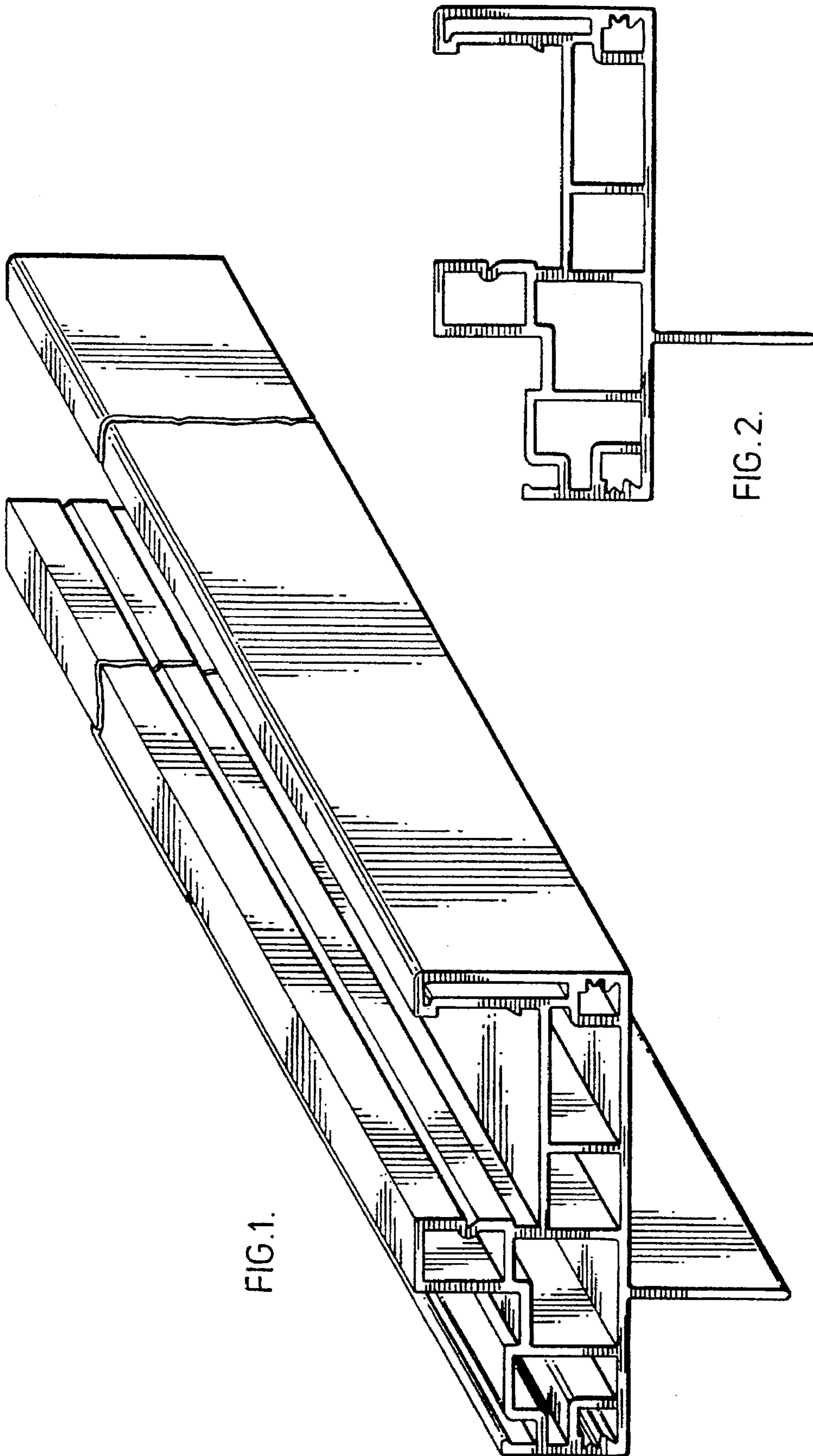


FIG.1.

FIG.2.