



US00D379527S

United States Patent [19]
DiGiorgio

[11] **Patent Number: Des. 379,527**

[45] **Date of Patent: **May 27, 1997**

[54] **MEETING RAIL**

5,461,837 10/1995 Chaney et al. D25/124

[75] **Inventor: Tony DiGiorgio, Woodbridge, Canada**

Primary Examiner—Doris Clark

[73] **Assignee: Dominion Plastics Inc., Woodbridge, Canada**

[57] **CLAIM**

[**] **Term: 14 Years**

The ornamental design for a meeting rail, as shown and described.

[21] **Appl. No.: 48,088**

[22] **Filed: Dec. 20, 1995**

DESCRIPTION

[51] **LOC (6) Cl. 25-02**

[52] **U.S. Cl. D25/124**

[58] **Field of Search** D25/60, 52, 119-125;
49/501, 504, DIG. 2, 176, 407-408; 52/204.5,
204.62, 204.55, 204.53, 204.57, 204.58,
204.64, 204.65, 204.68, 209, 721

FIG. 1 is a perspective view from above the meeting rail; and,

FIG. 2 is an end view of the meeting rail.

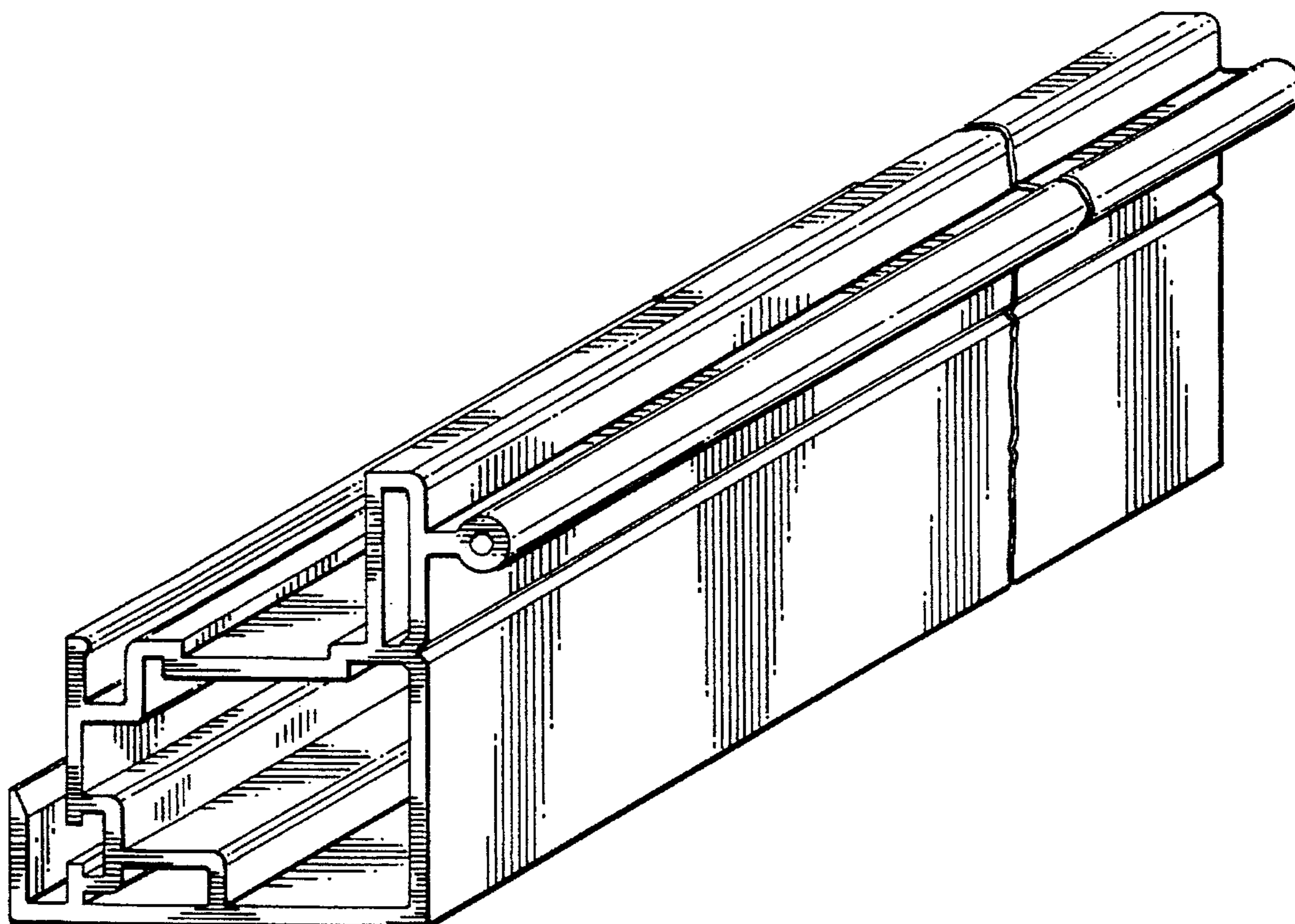
The meeting rail is broken away in the center to indicate indeterminate length.

[56] **References Cited**

U.S. PATENT DOCUMENTS

D. 334,434 3/1993 Cole D25/124

1 Claim, 1 Drawing Sheet



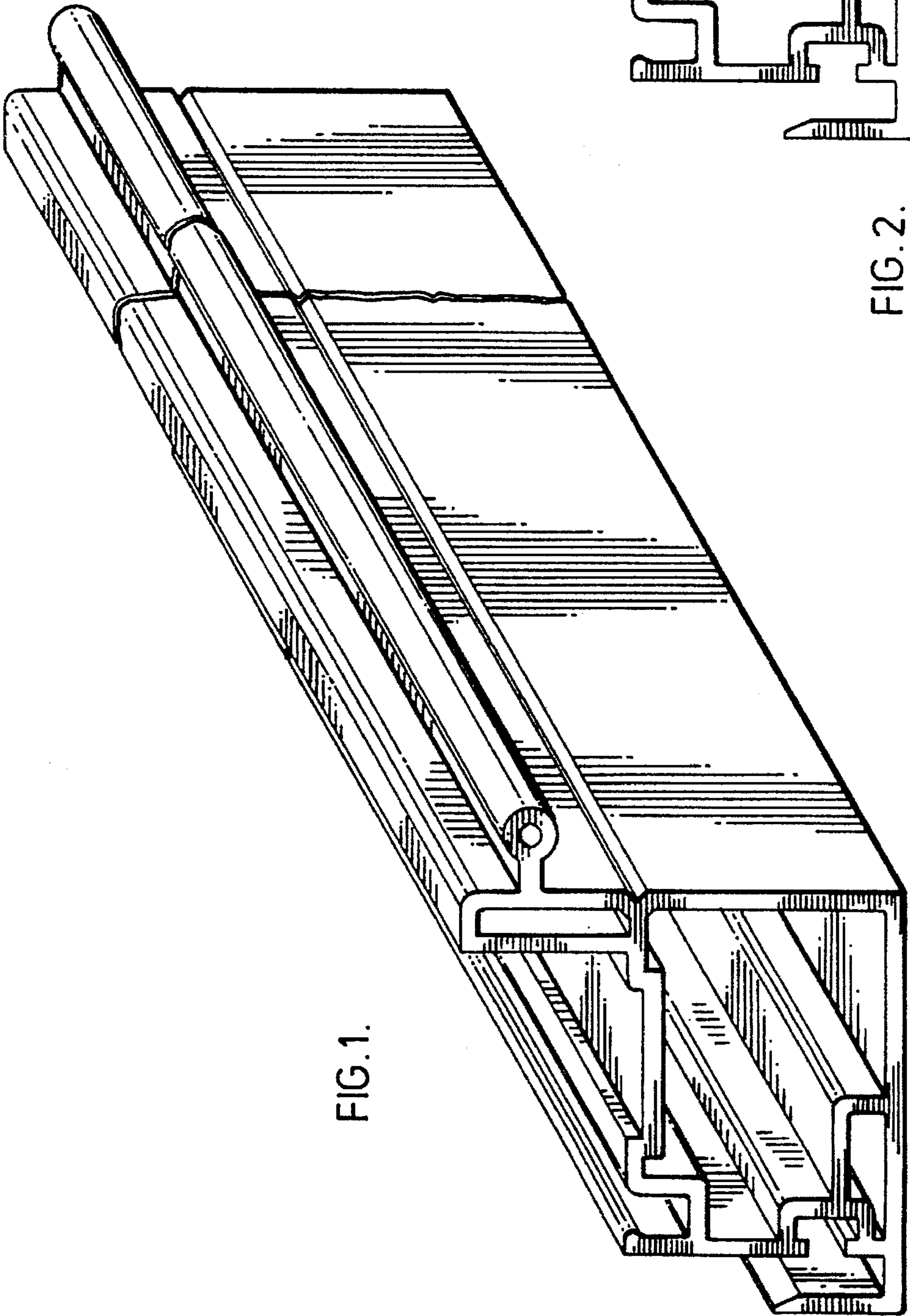


FIG. 1.

FIG. 2.