



US00D379526S

**United States Patent** [19]  
**DiGiorgio**

[11] **Patent Number:** **Des. 379,526**

[45] **Date of Patent:** **\*\*May 27, 1997**

[54] **VERTICAL SLIDER STILE**

*Primary Examiner—Doris Clark*

[75] **Inventor:** **Tony DiGiorgio**, Woodbridge, Canada

[57] **CLAIM**

[73] **Assignee:** **Dominion Plastics Inc.**, Woodbridge, Canada

The ornamental design for a vertical slider stile, as shown and described.

[\*\*] **Term:** **14 Years**

**DESCRIPTION**

[21] **Appl. No.:** **48,087**

FIG. 1 is a perspective view from above the vertical slider stile; and,

[22] **Filed:** **Dec. 20, 1995**

FIG. 2 is an end view of the vertical slider stile.

[51] **LOC (6) Cl.** ..... **25-02**

[52] **U.S. Cl.** ..... **D25/124**

[58] **Field of Search** ..... D25/60, 52, 119-125; 49/501, 504, DIG. 2, 407-408; 52/204.5

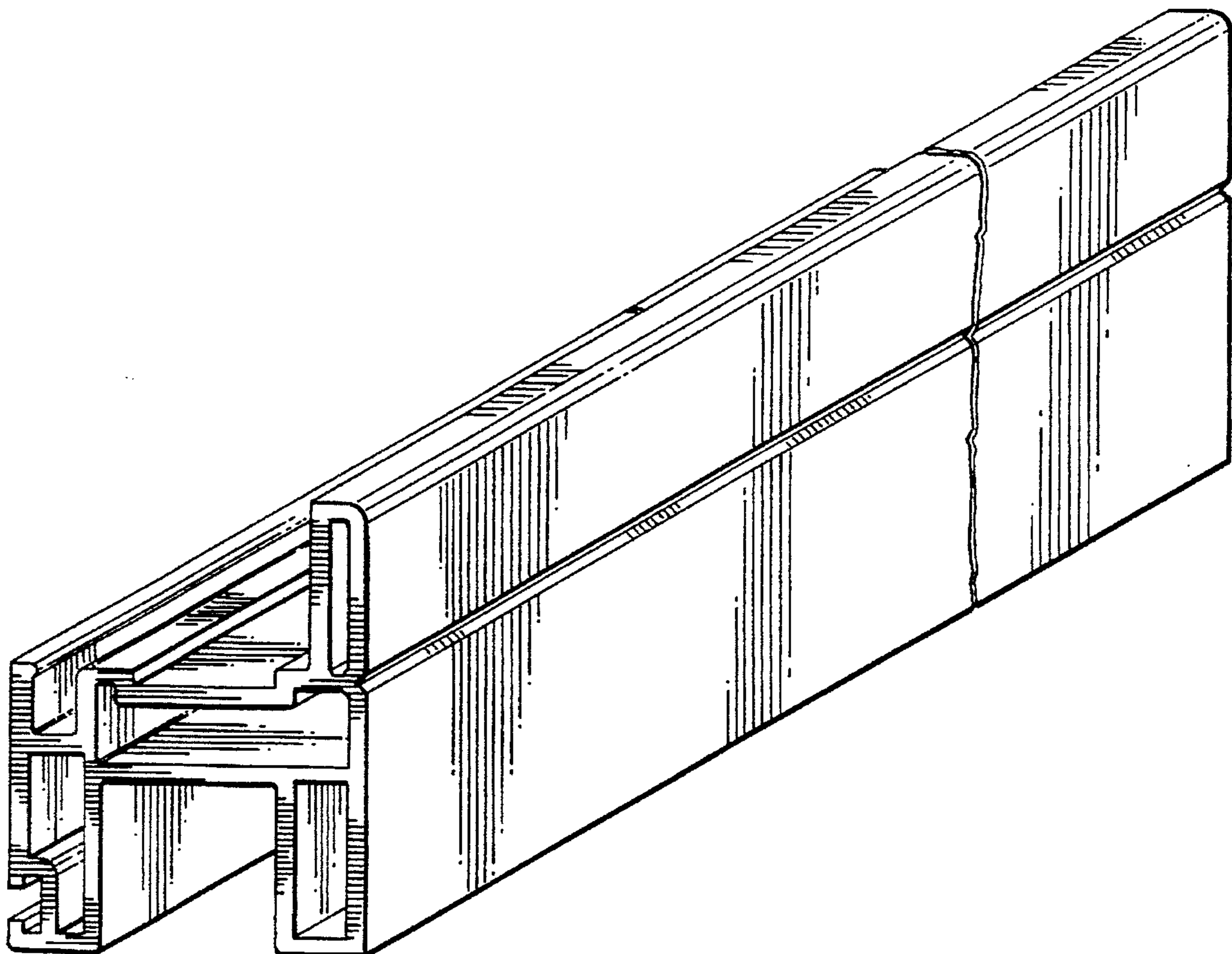
The vertical slider stile is broken away in the center to indicate indeterminate length.

[56] **References Cited**

**U.S. PATENT DOCUMENTS**

D. 356,381 3/1995 Cole ..... D25/124

**1 Claim, 1 Drawing Sheet**



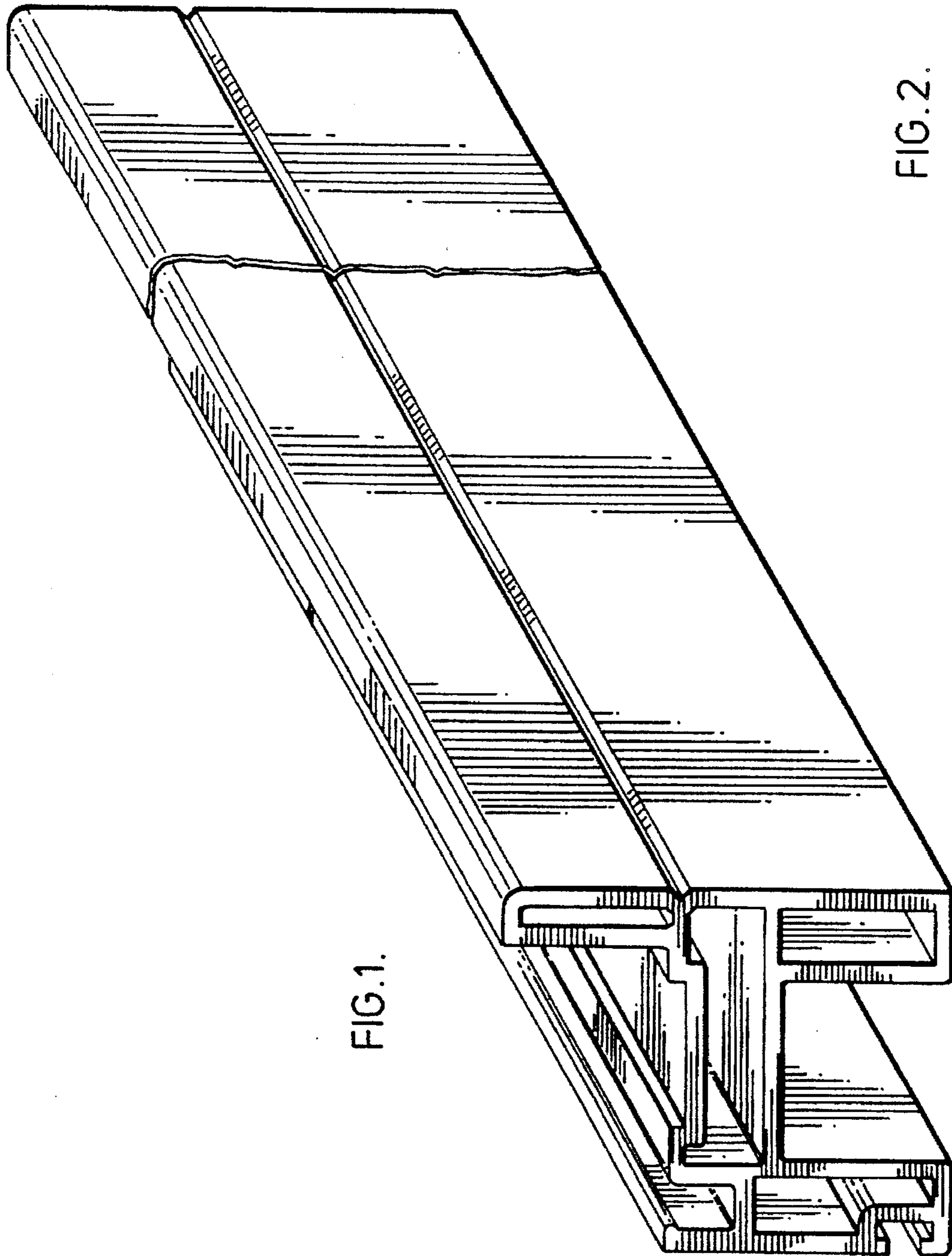


FIG.1.

FIG.2.