



US00D379521S

United States Patent [19]

Stevens et al.

[11] Patent Number: **Des. 379,521**

[45] Date of Patent: ****May 27, 1997**

[54] **TISSUE CULTURE FLASK**

[75] Inventors: **Timothy A. Stevens, Madison; Edward Mussi, Hewitt, both of N.J.**

[73] Assignee: **Becton, Dickinson and Company, Franklin Lakes, N.J.**

[**] Term: **14 Years**

4,334,028 6/1982 Carver 435/284
 4,770,854 9/1988 Lyman D24/224 X
 4,851,351 7/1989 Akamine 422/102 X
 5,151,366 9/1992 Serkes et al. 422/102 X
 5,358,872 10/1994 Mussi et al. 422/102 X
 5,391,496 2/1995 Kayal et al. 422/102 X
 5,462,874 10/1995 Wolf et al. 422/102 X
 5,482,854 1/1996 O'Leary et al. 422/102 X

FOREIGN PATENT DOCUMENTS

60-70067 4/1985 Japan .

Primary Examiner—Louis S. Zarfes
Assistant Examiner—I. Simmons
Attorney, Agent, or Firm—Nanette S. Thomas

[21] Appl. No.: **39,006**

[22] Filed: **May 18, 1995**

[51] LOC (6) Cl. **24-02**

[52] U.S. Cl. **D24/224**

[58] Field of Search D24/224; 435/296,
 435/286, 284, 285, 809, 818; 422/102,
 100

[57] CLAIM

The ornamental design a tissue culture flask, as shown.

DESCRIPTION

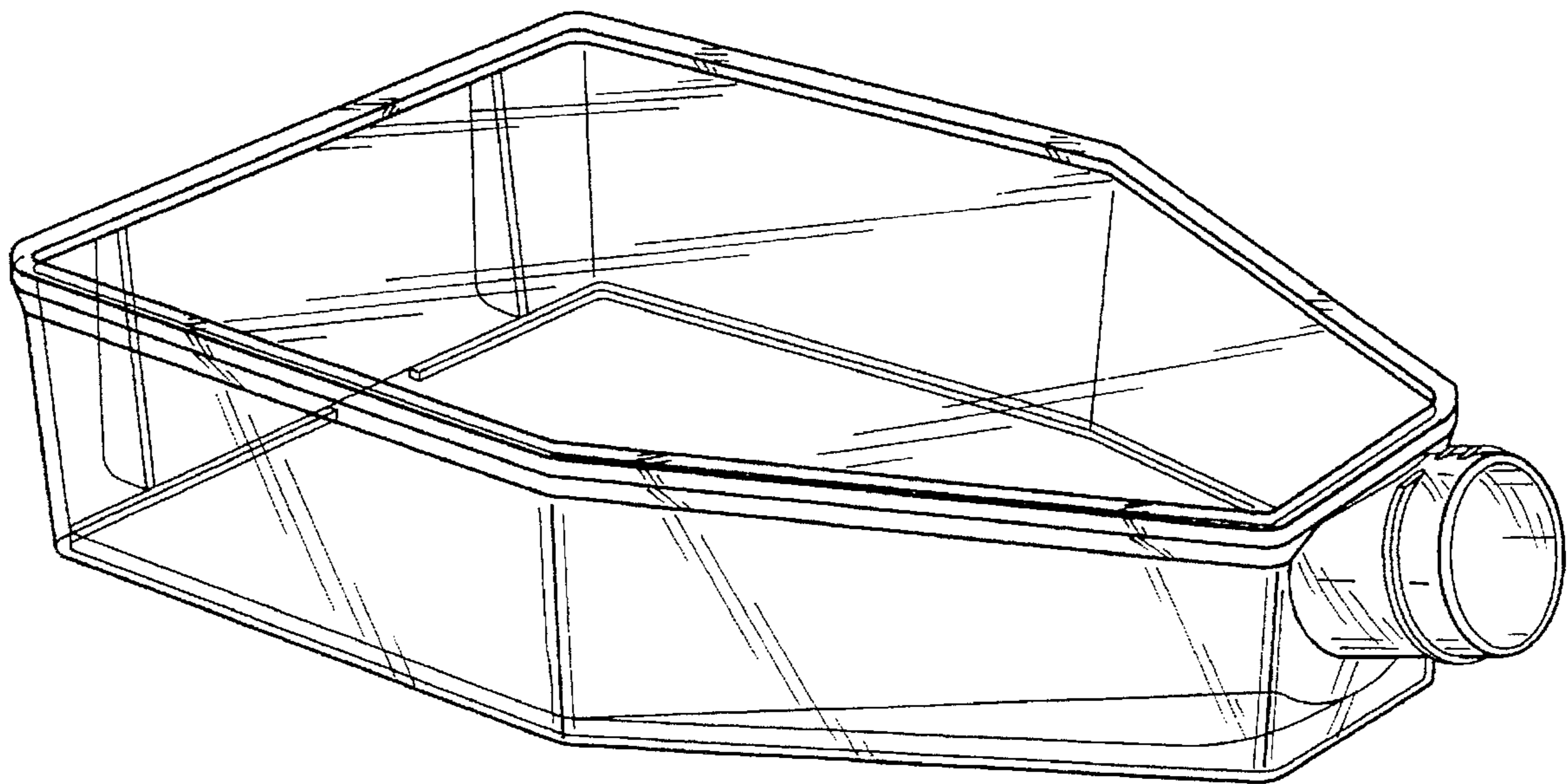
FIG. 1 is a top and front perspective view of the tissue culture flask;
 FIG. 2 is a top plan view thereof;
 FIG. 3 is a front elevational view thereof;
 FIG. 4 is a side elevational view thereof;
 FIG. 5 is a back elevational view thereof; and,
 FIG. 6 is a bottom plan view thereof.

1 Claim, 6 Drawing Sheets

[56] References Cited

U.S. PATENT DOCUMENTS

D. 243,705 3/1977 Lyman D24/224
 2,947,116 8/1960 Earle et al. 49/79
 3,449,210 6/1969 Rohde 195/139
 3,870,602 3/1975 Froman et al. 195/139



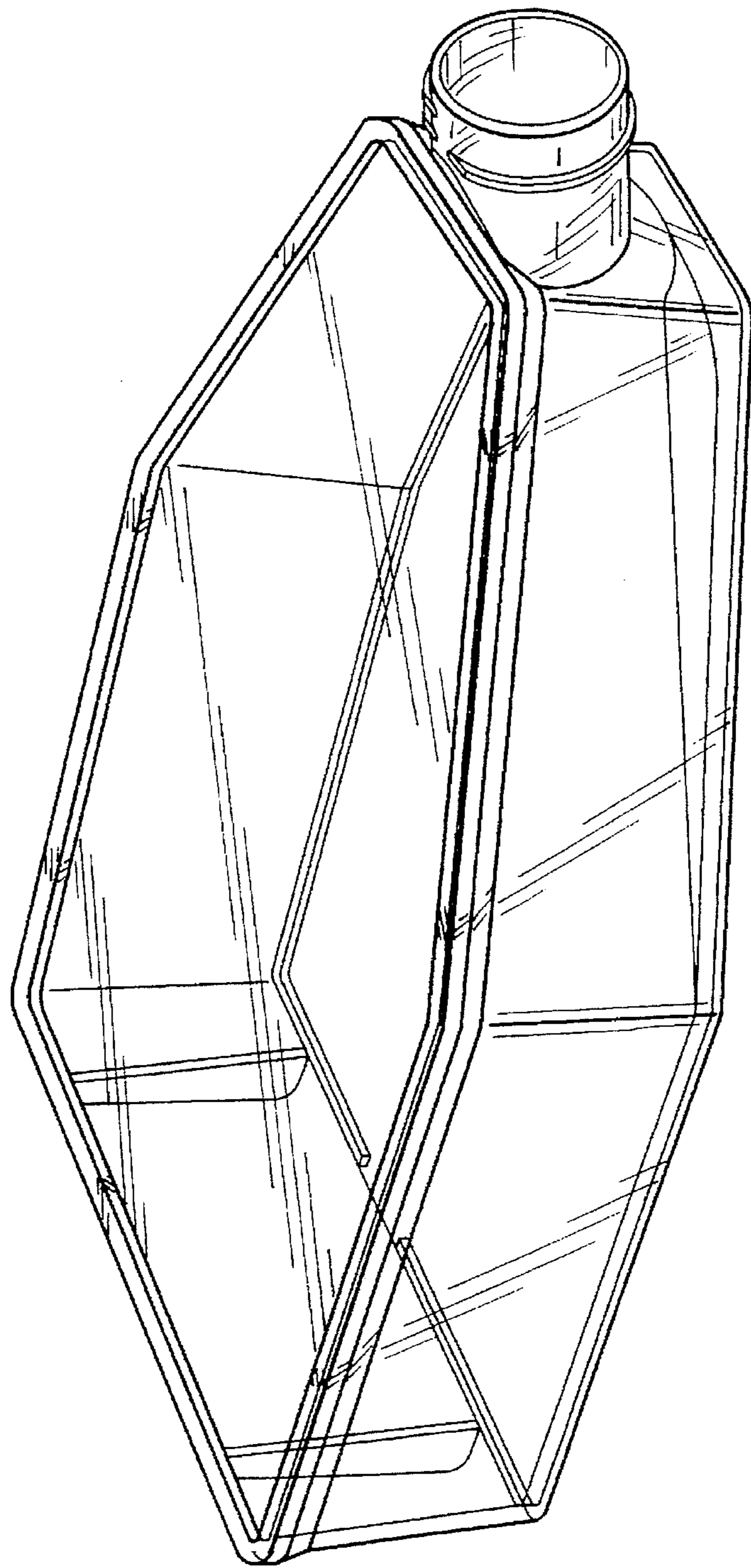


FIG-1

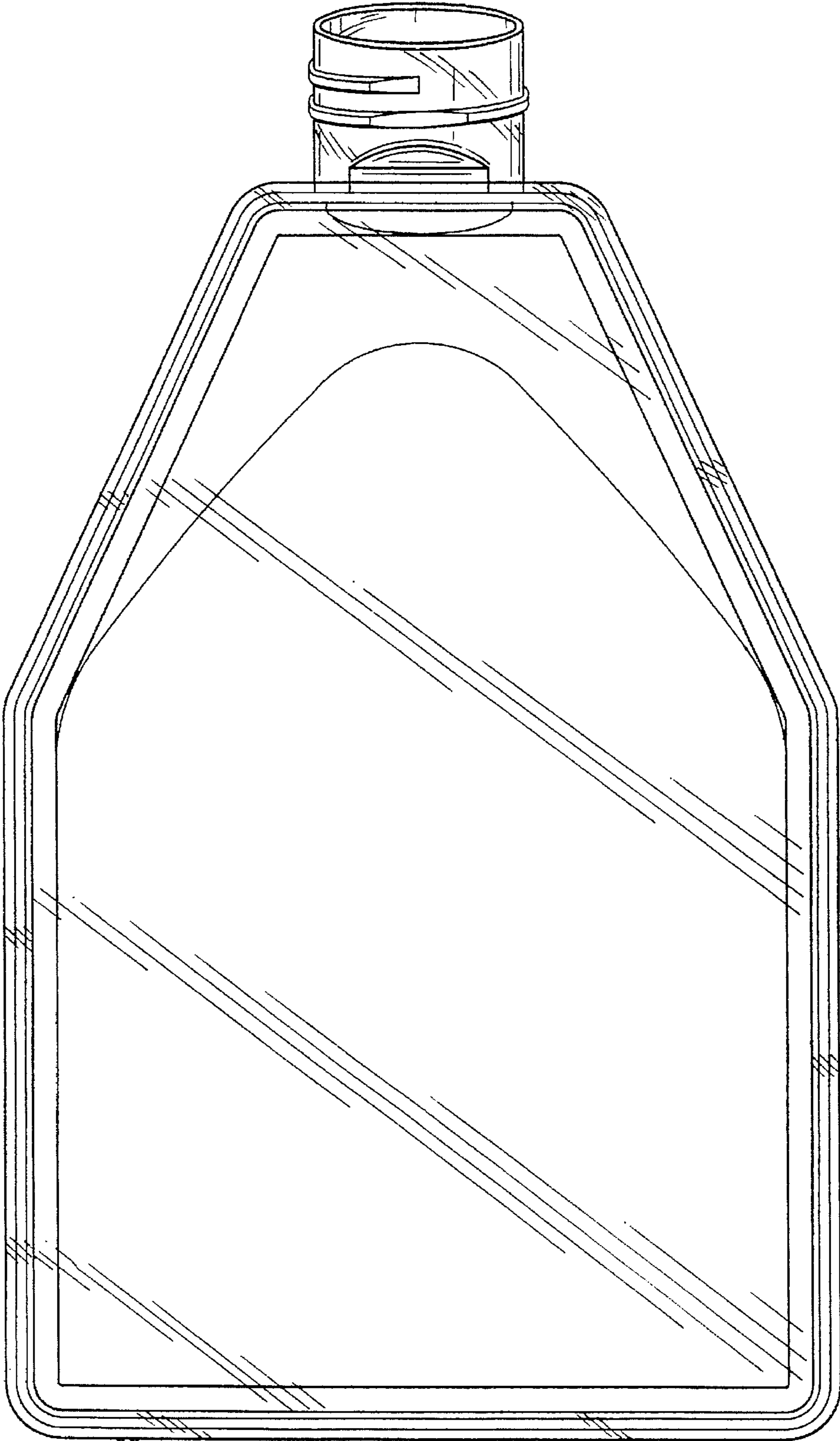


FIG-2

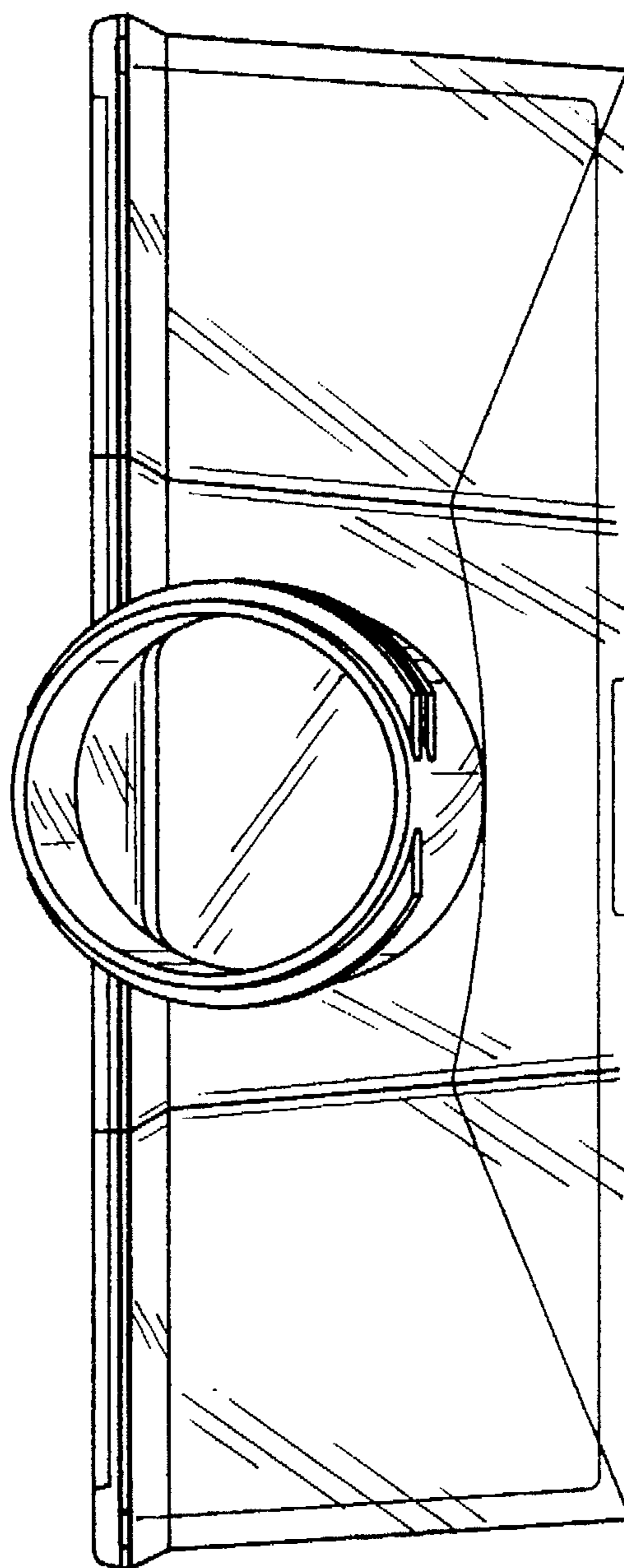
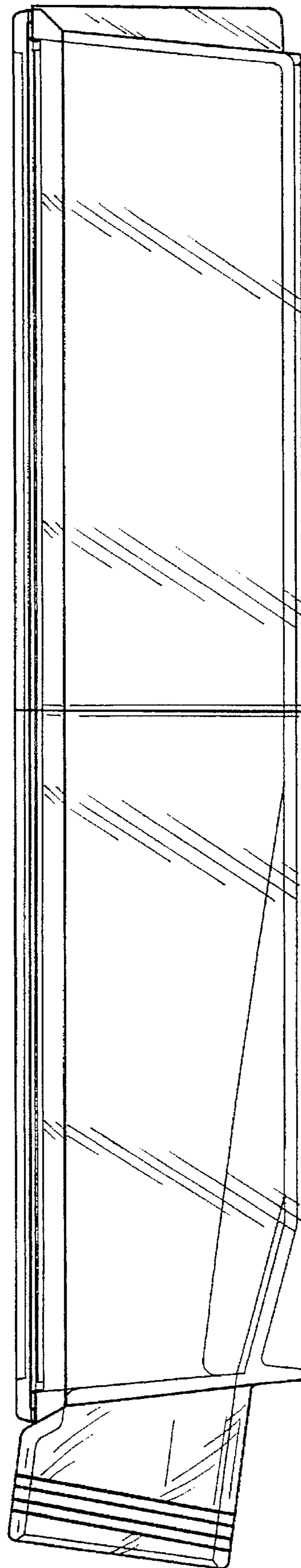


FIG-3

FIG-4



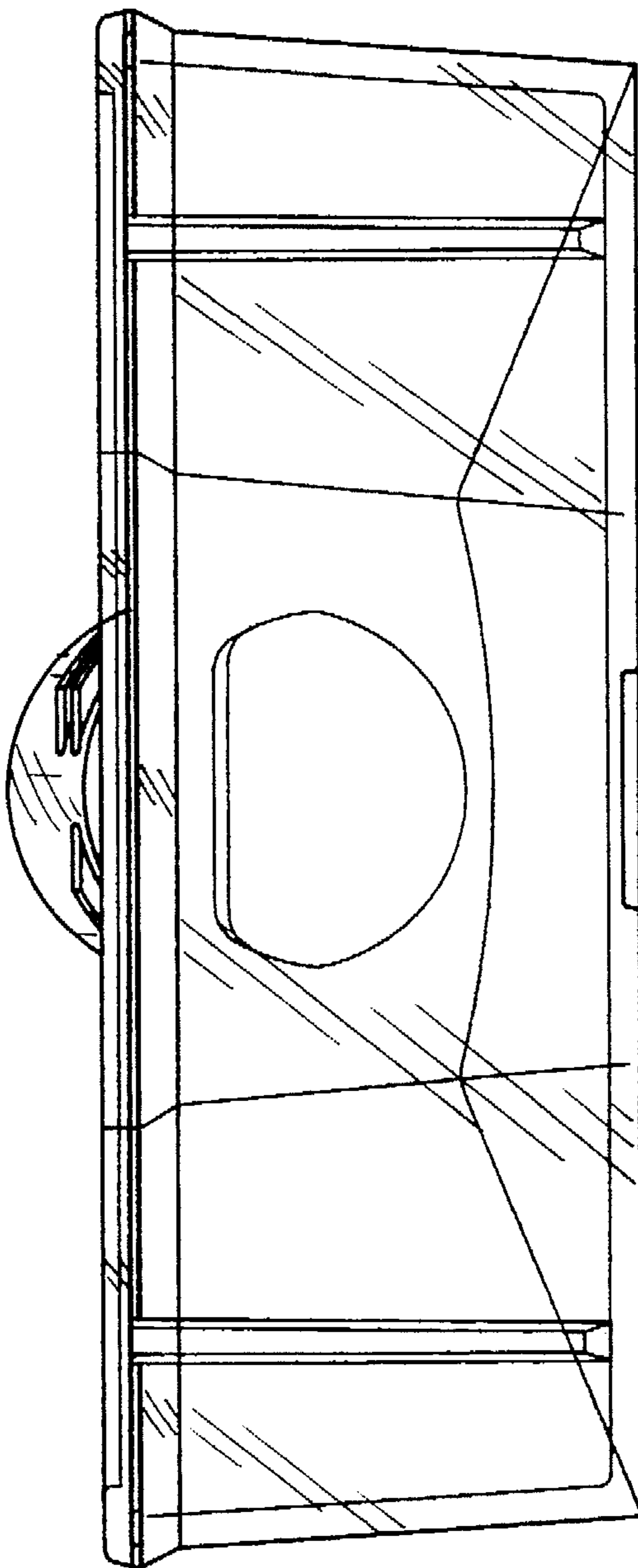


FIG-5

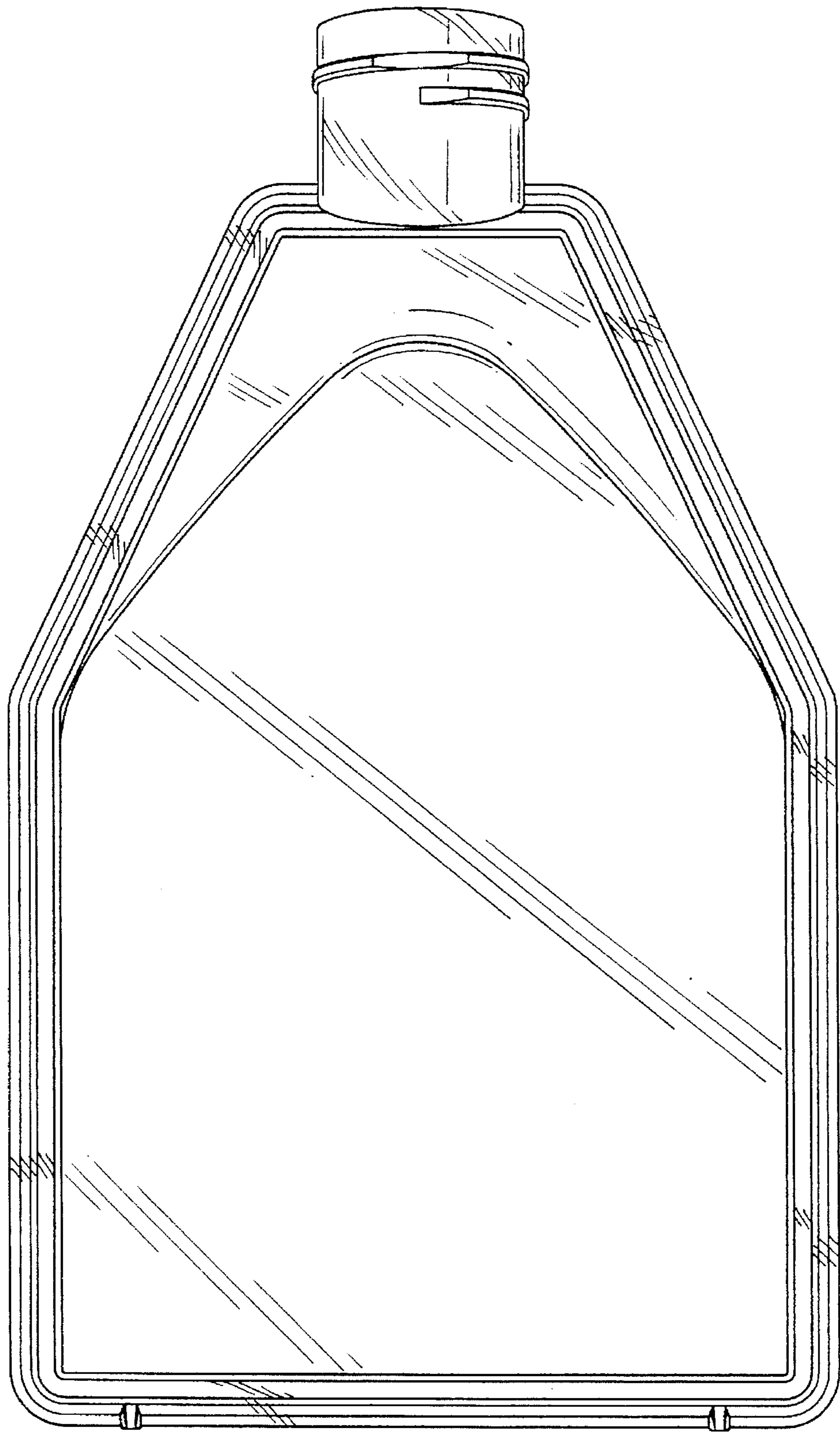


FIG-6