



US00D379520S

United States Patent [19]

Stevens et al.

[11] Patent Number: **Des. 379,520**

[45] Date of Patent: ****May 27, 1997**

[54] **TISSUE CULTURE FLASK**

[75] Inventors: **Timothy A. Stevens, Madison; Edward Mussi, Hewitt, both of N.J.**

[73] Assignee: **Becton, Dickinson and Company, Franklin Lakes, N.J.**

4,770,854 9/1988 Lyman D24/224 X
 4,851,351 7/1989 Akamine 422/102 X
 5,151,366 9/1992 Serkes et al. 422/102 X
 5,358,872 10/1994 Mussi et al. 422/102 X
 5,391,496 2/1995 Kayal et al. 422/102 X
 5,462,874 10/1995 Wolf et al. 422/102 X
 5,482,854 1/1996 O'Leary et al. 422/102 X

[**] Term: **14 Years**

FOREIGN PATENT DOCUMENTS

60-70067 4/1985 Japan .

[21] Appl. No.: **39,001**

Primary Examiner—Louis S. Zarfes

[22] Filed: **May 18, 1995**

Assistant Examiner—I. Simmons

Attorney, Agent, or Firm—Nanette S. Thomas

[51] LOC (6) Cl. **24-02**

[52] U.S. Cl. **D24/224**

[58] Field of Search D24/224; 422/102,
422/100; 435/290, 286, 285, 284, 809,
818

[57] CLAIM

The ornamental design a tissue culture flask, as shown.

DESCRIPTION

FIG. 1 is a top and front perspective view of the tissue culture flask;

FIG. 2 is a top plan view thereof;

FIG. 3 is a front elevational view thereof;

FIG. 4 is a side elevational view thereof;

FIG. 5 is a back elevational view thereof; and

FIG. 6 is a bottom plan view thereof; and,

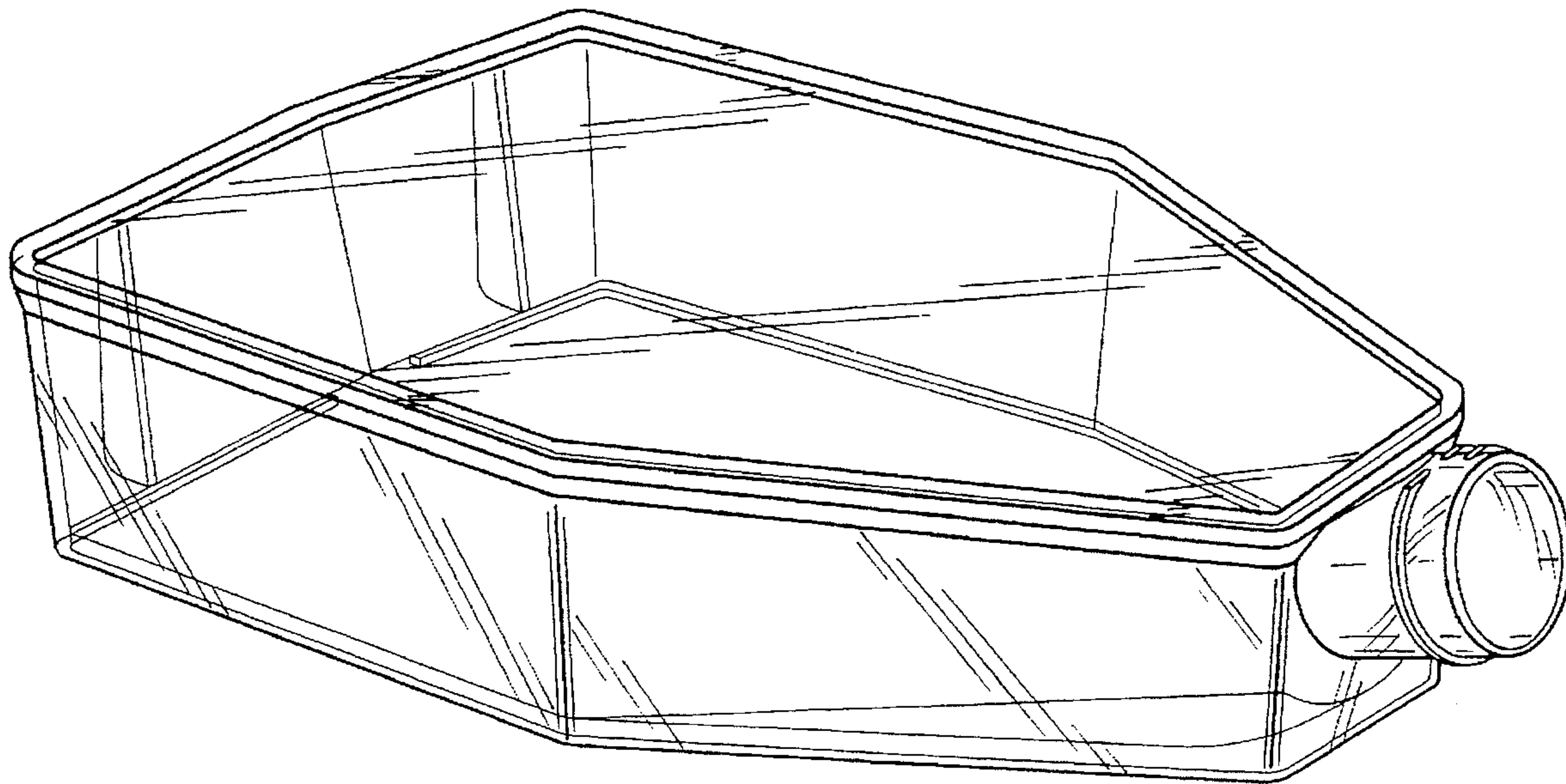
FIG. 7 is an exploded view thereof.

[56] References Cited

U.S. PATENT DOCUMENTS

D. 243,705 3/1977 Lyman D24/224
 2,947,116 8/1960 Earle et al. 49/79
 3,449,210 6/1969 Rohde 195/139
 3,870,602 3/1975 Froman et al. 195/139
 4,334,028 6/1982 Carver 435/284

1 Claim, 7 Drawing Sheets



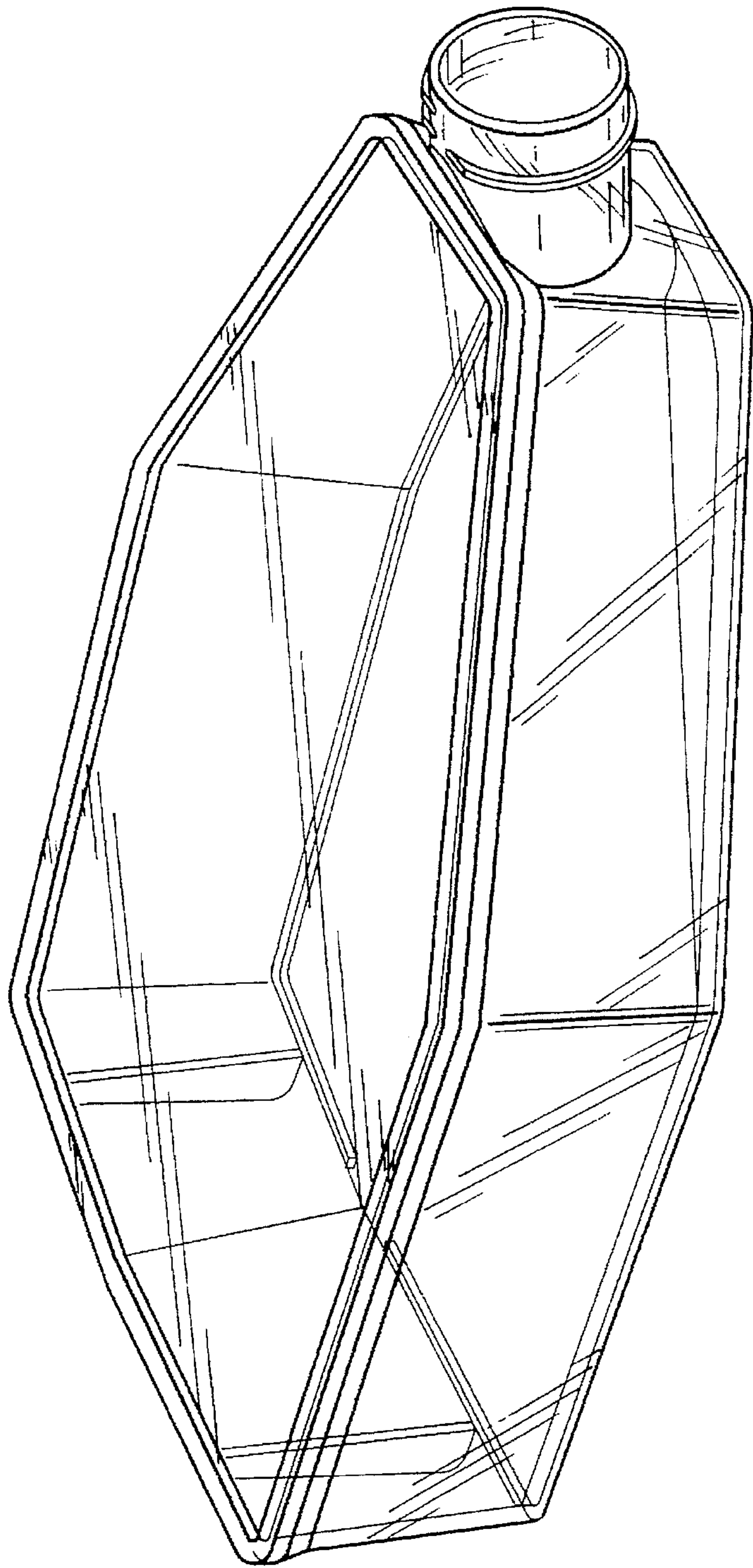


FIG-1

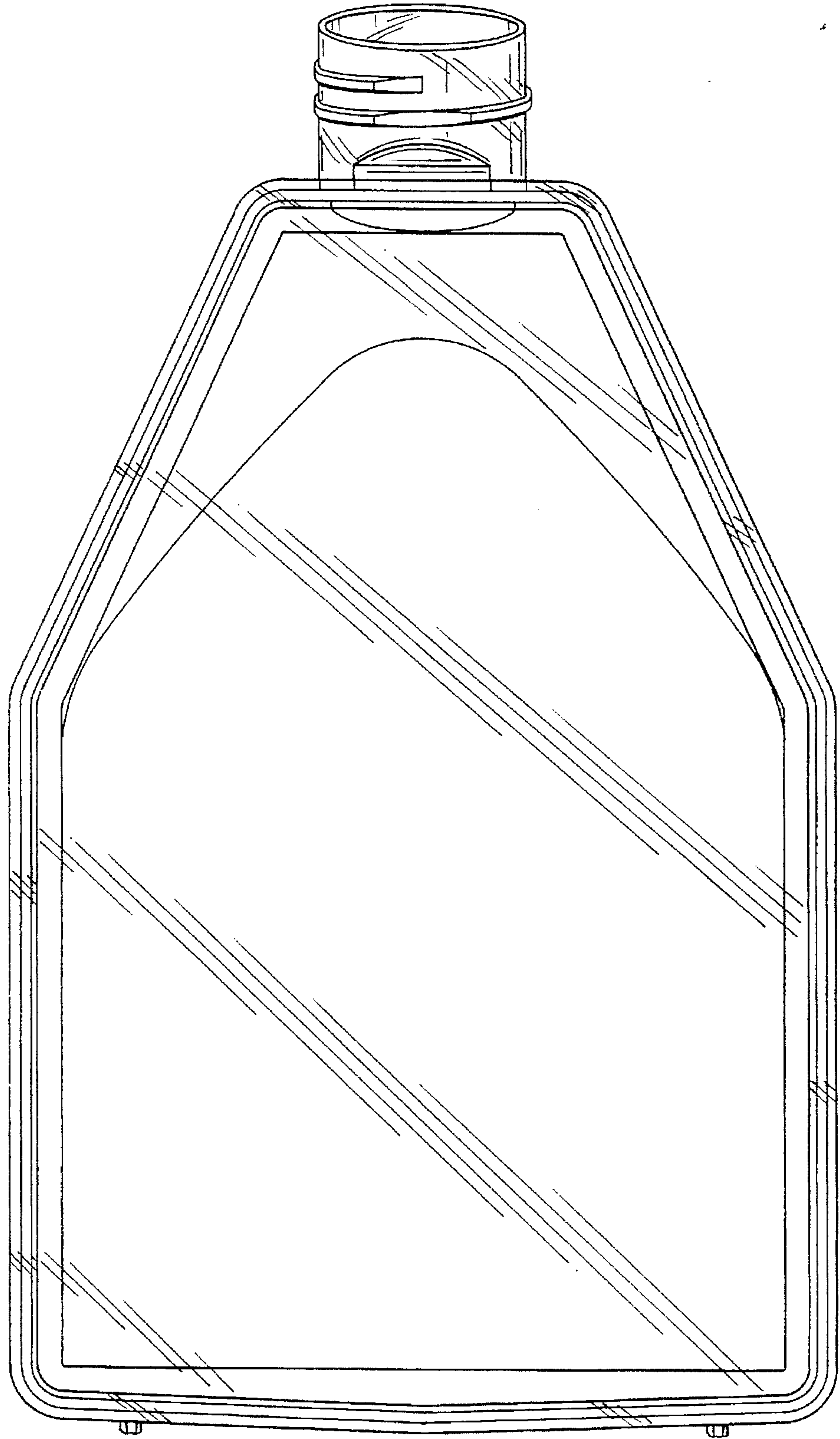


FIG-2

FIG-3

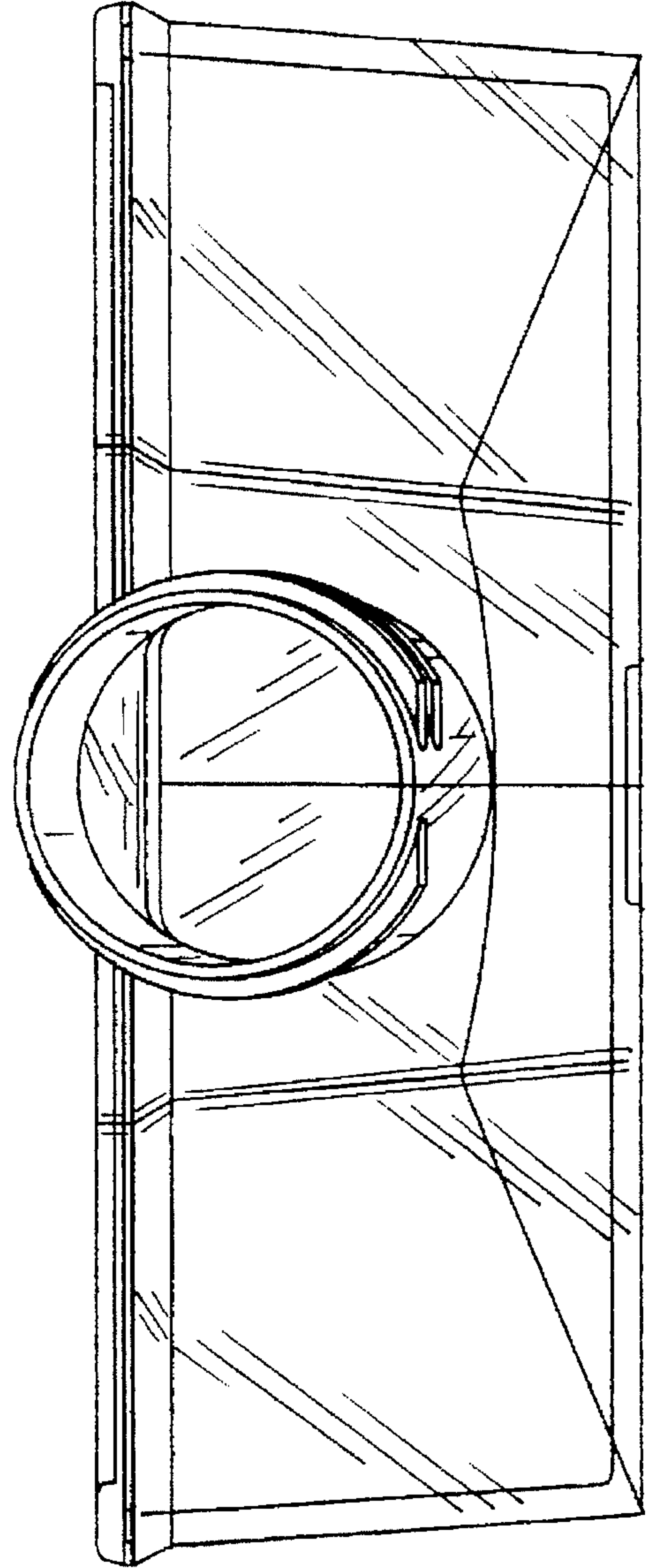
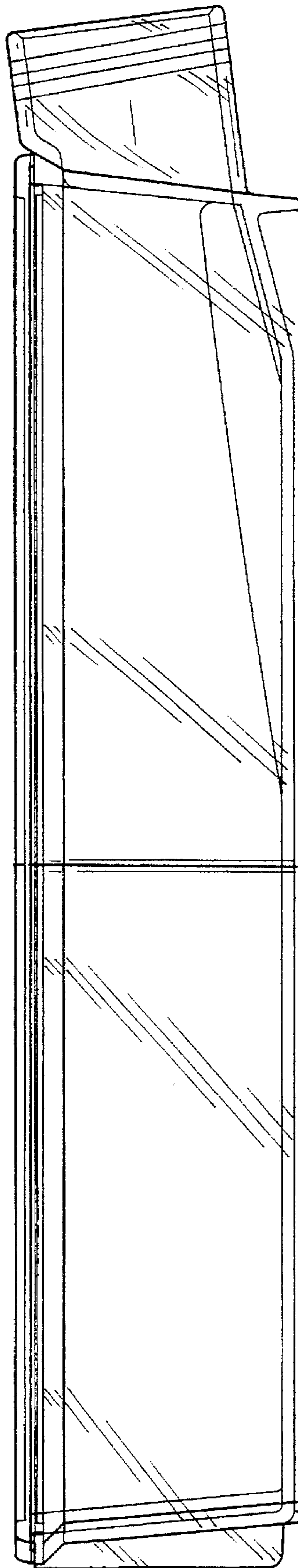


FIG-4



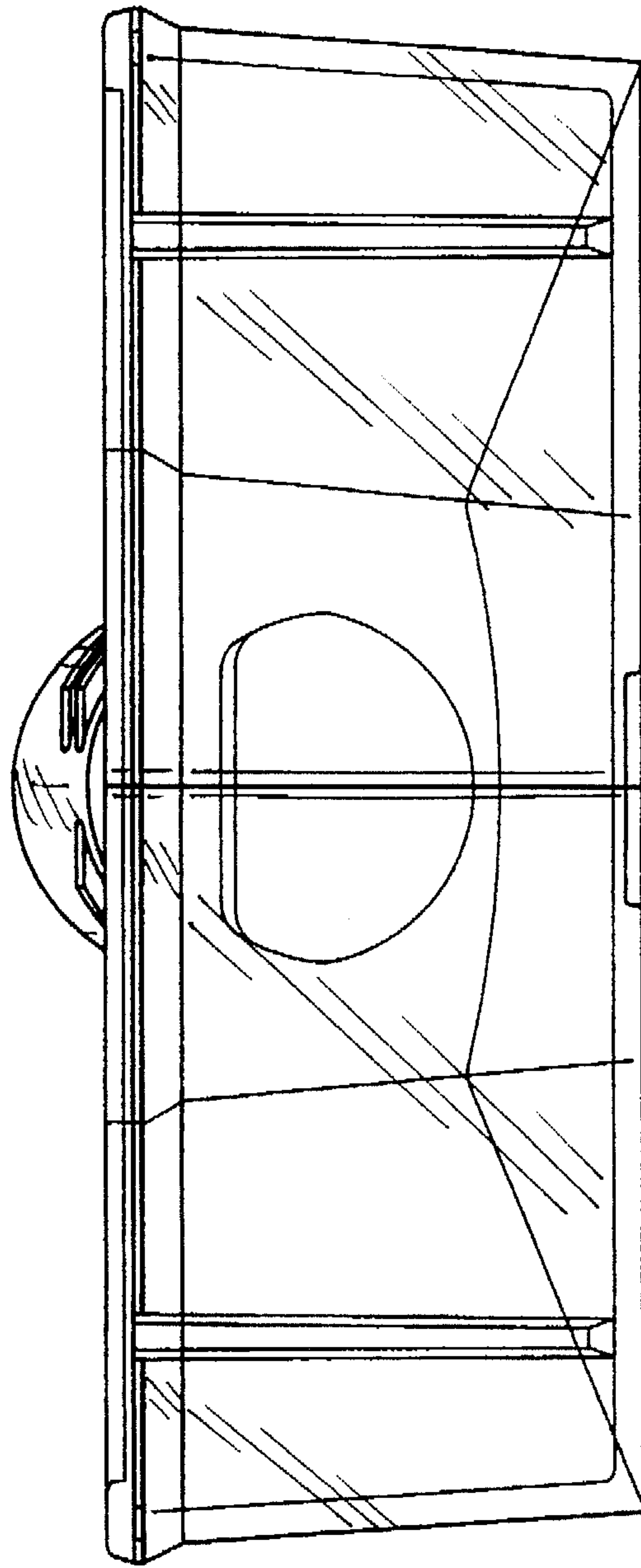


FIG-5

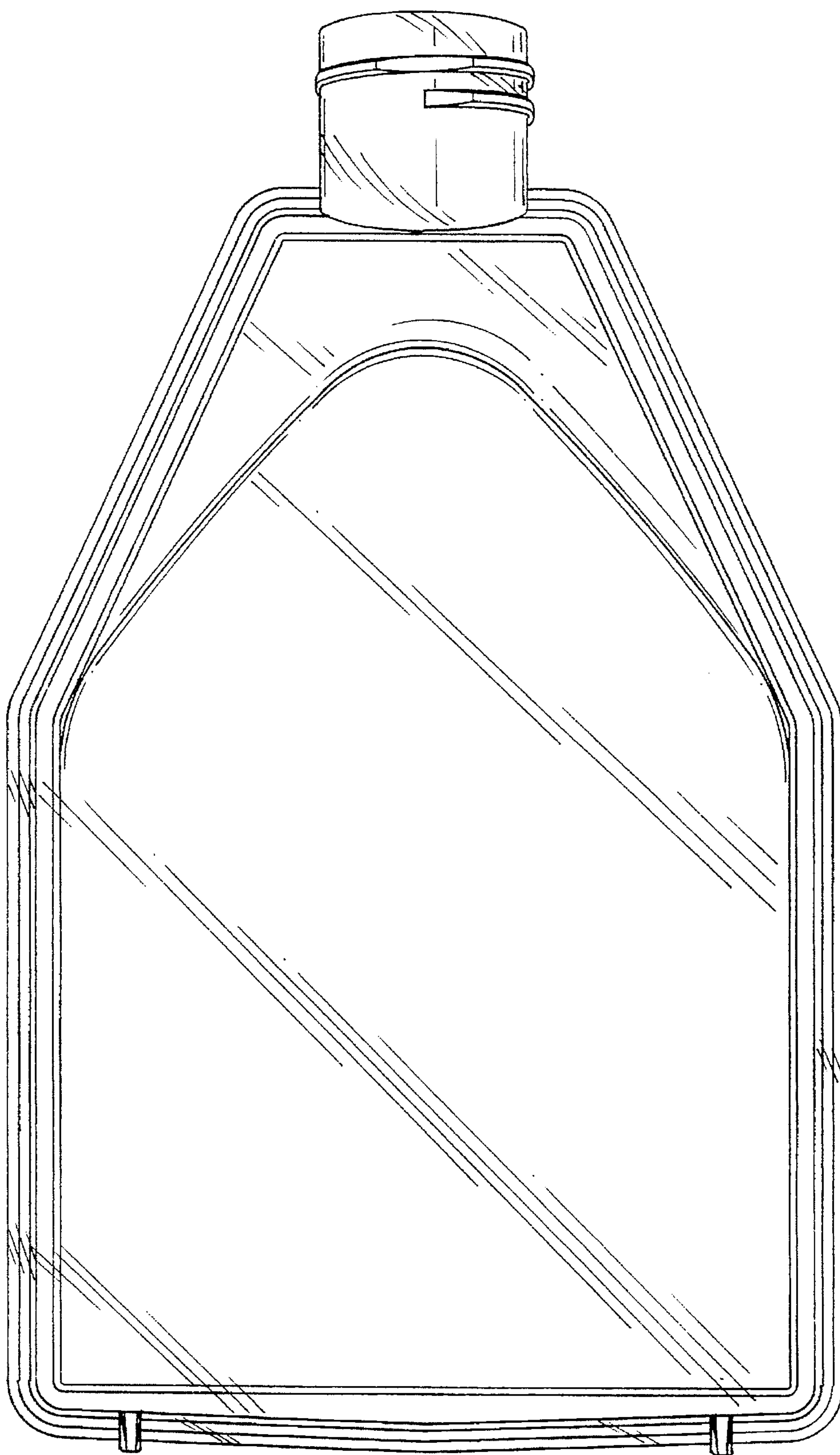


FIG-6

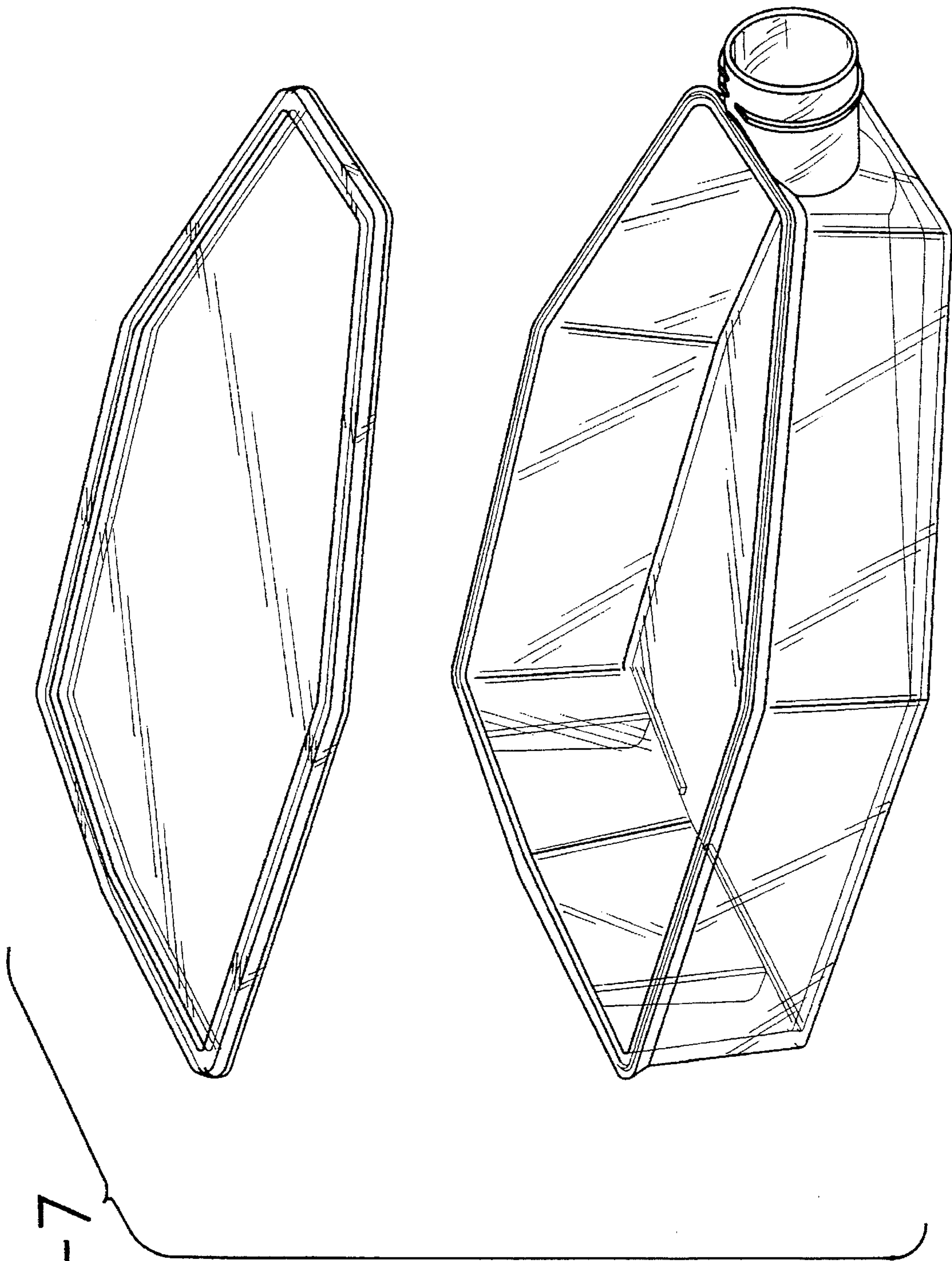


FIG-7