



US00D379519S

United States Patent [19]

[11] Patent Number: **Des. 379,519**

Carter

[45] Date of Patent: ****May 27, 1997**

[54] **DISINFECTER FOR WRITING INSTRUMENTS**

4,763,678	8/1988	Ott	422/301	X
5,405,587	4/1995	Fernandez et al.	422/300	X
5,520,892	5/1996	Bowen	422/300	X

[75] Inventor: **Stephen D. Carter**, Stone Mountain, Ga.

Primary Examiner—Louis S. Zarfaz

Assistant Examiner—I. Simmons

Attorney, Agent, or Firm—Bell, Seltzer, Park & Gibson; W. Murray Spruill

[73] Assignee: **Calgene, Inc.**, Davis, Calif.

[**] Term: **14 Years**

[57] CLAIM

[21] Appl. No.: **49,018**

The ornamental design for a disinfecter for writing instruments, as shown.

[22] Filed: **Nov. 1, 1995**

DESCRIPTION

[51] LOC (6) Cl. **24-01**

[52] U.S. Cl. **D24/217**

[58] Field of Search D24/217, 216;
422/301, 302, 300, 297, 298

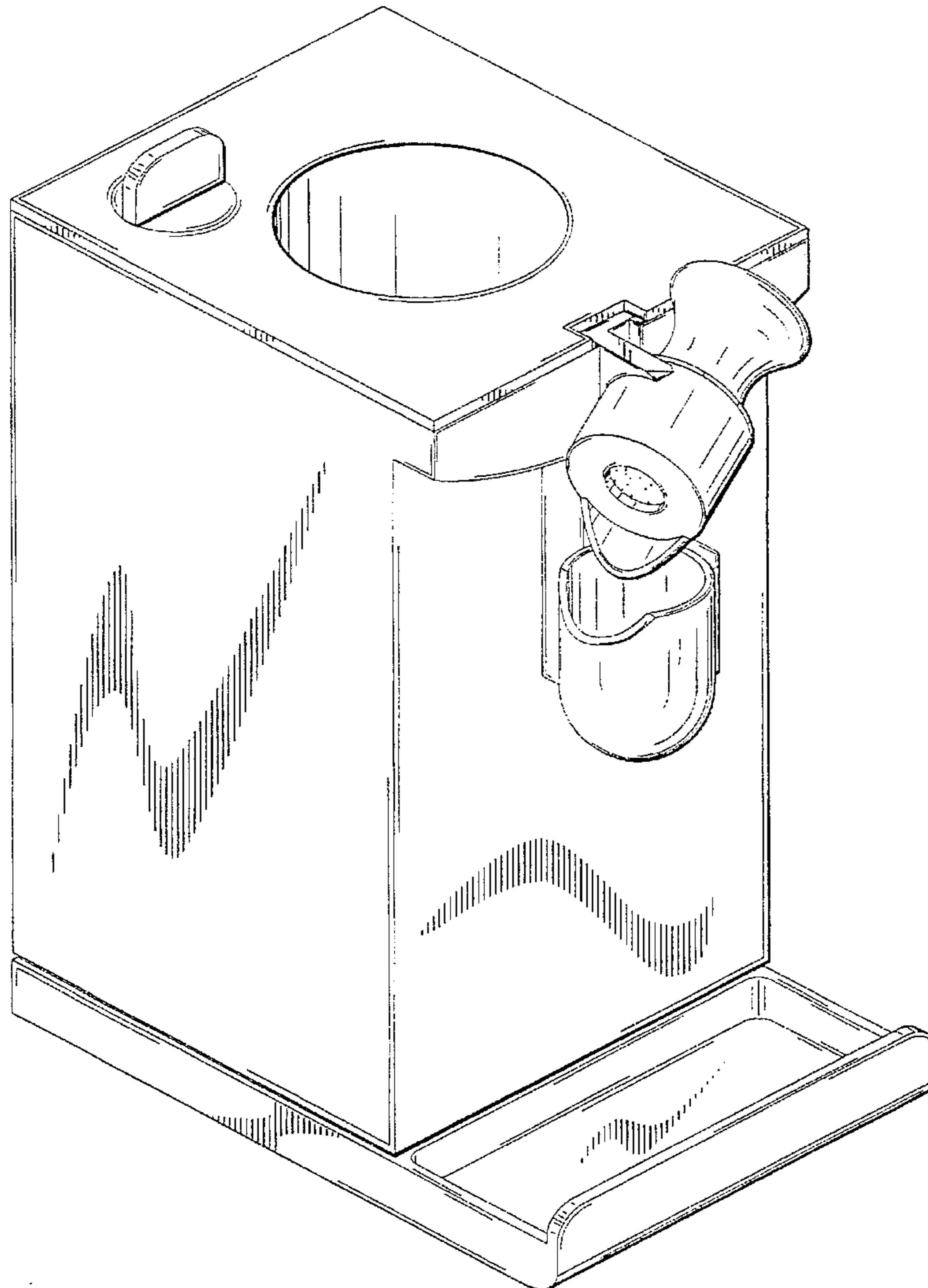
FIG. 1 is a perspective view of a disinfecter for writing instruments showing my new design;
 FIG. 2 is a side view thereof;
 FIG. 3 is a front view thereof;
 FIG. 4 is a rear view thereof;
 FIG. 5 is a side view thereof, opposite that shown in FIG. 2;
 FIG. 6 is a top plan view thereof; and,
 FIG. 7 is a bottom plan view thereof.

[56] References Cited

U.S. PATENT DOCUMENTS

1,676,090	7/1928	Johnson	422/301
4,211,750	7/1980	Gillespie	422/300 X
4,585,119	4/1986	Boyington	211/74 X

1 Claim, 4 Drawing Sheets



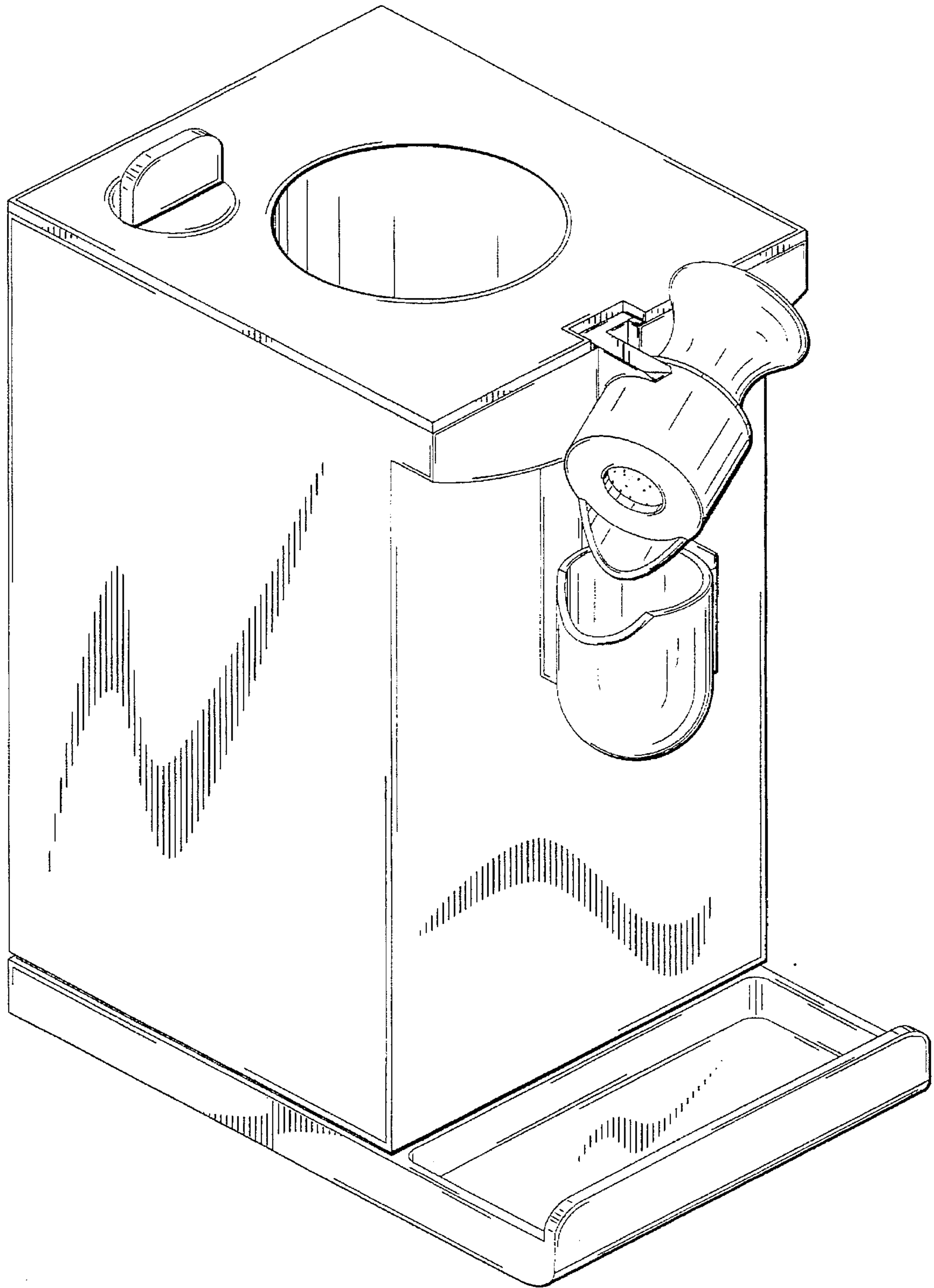


FIG. 1

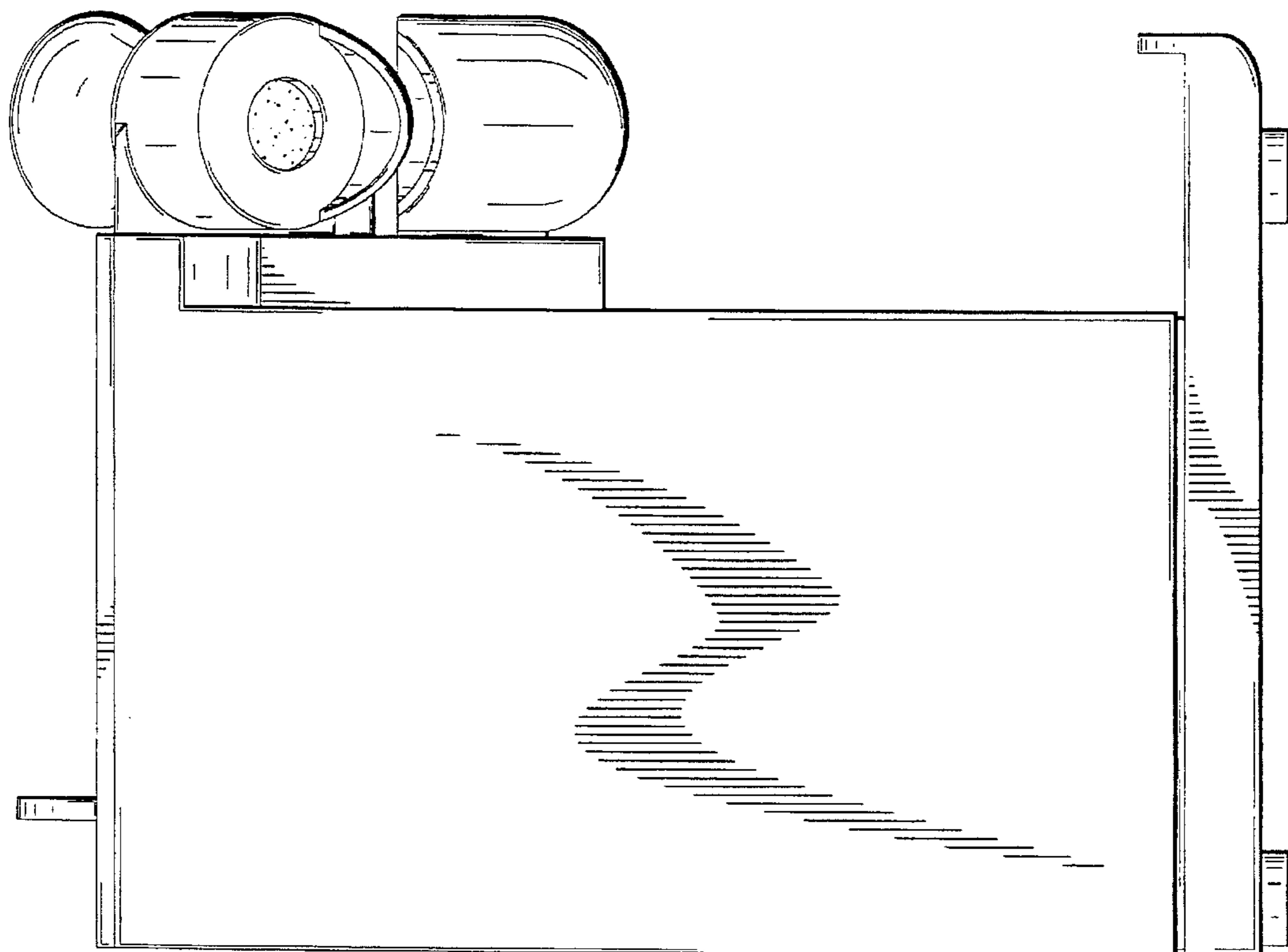


FIG. 3

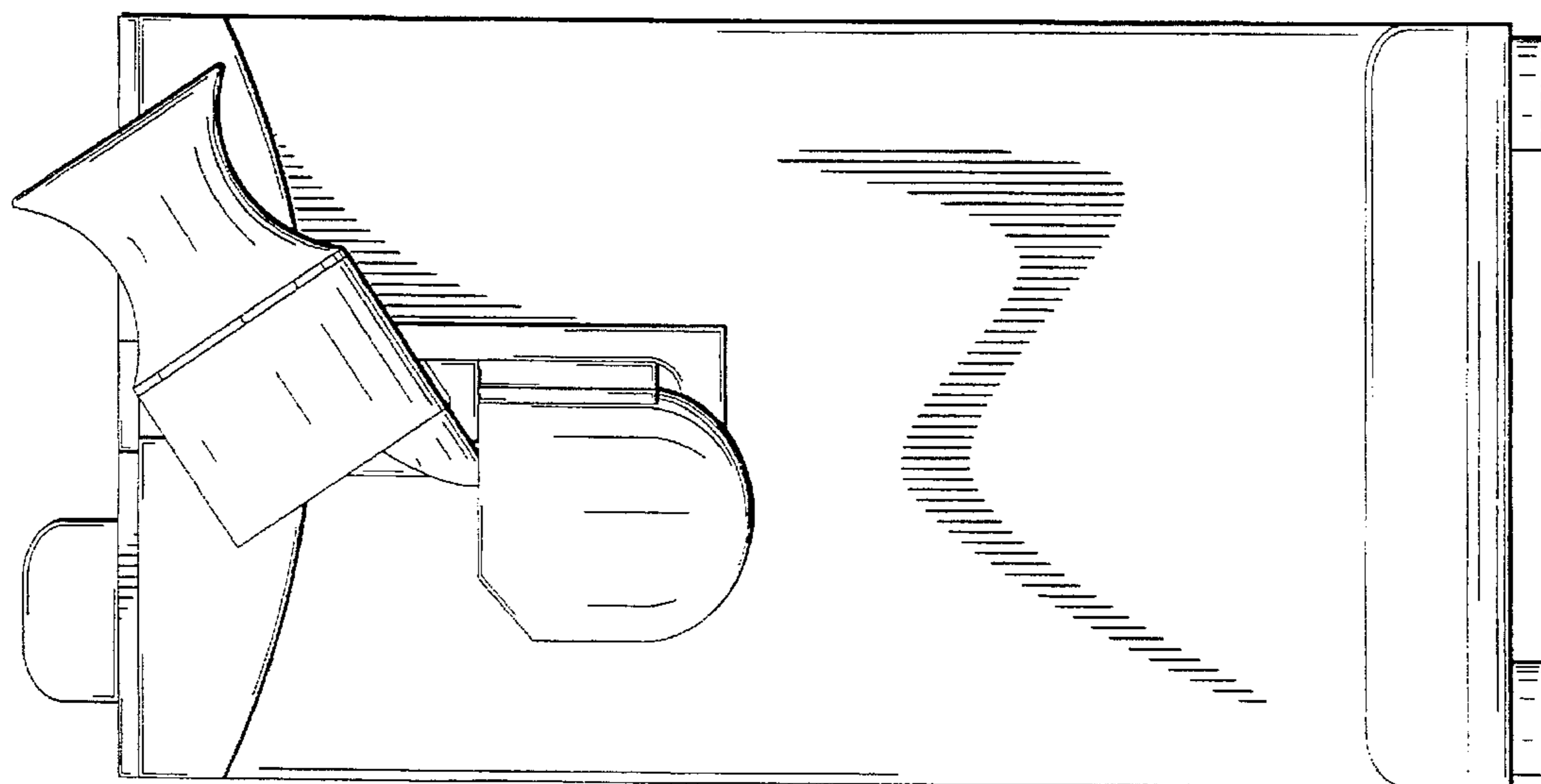


FIG. 2

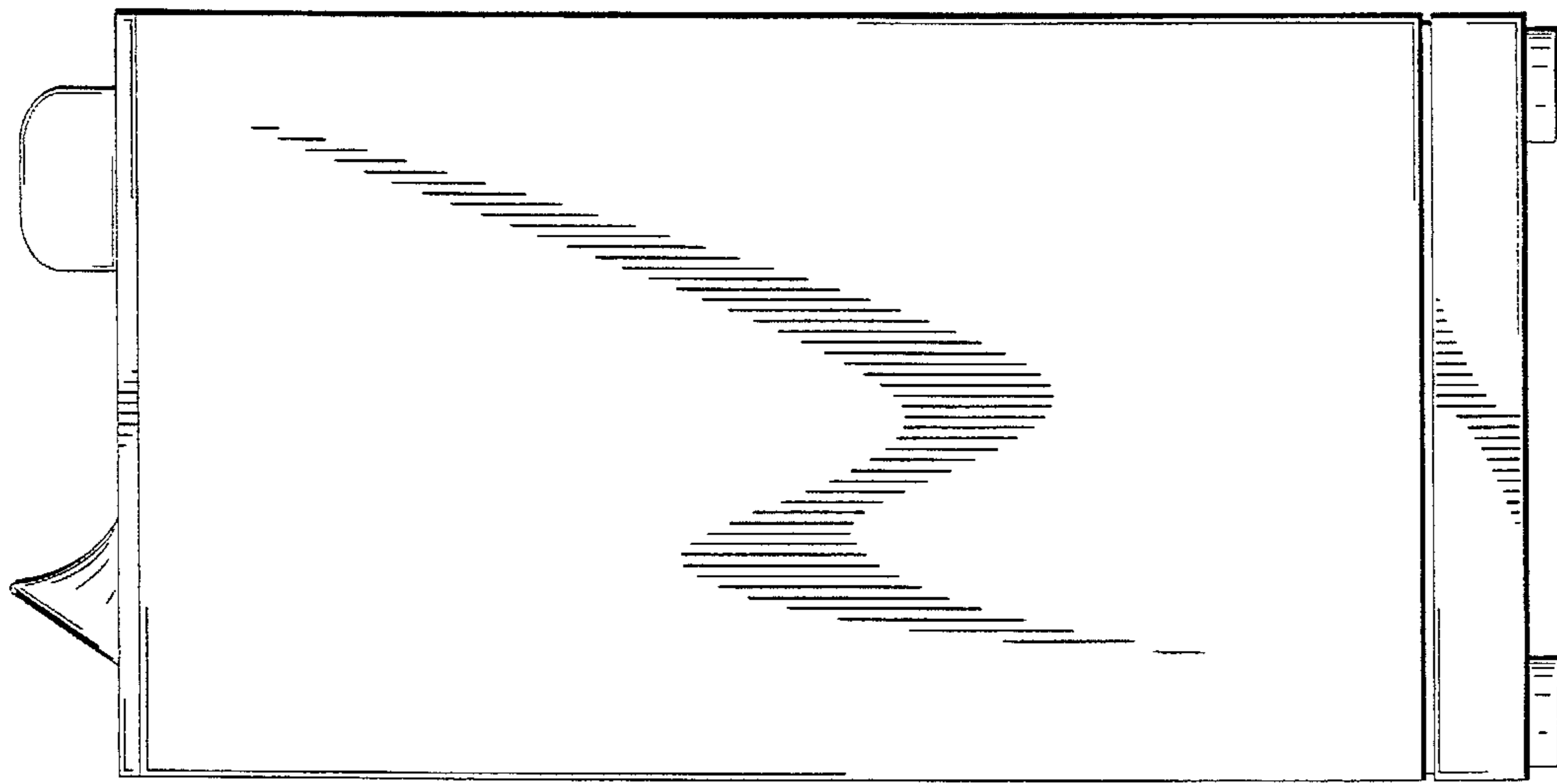


FIG. 5

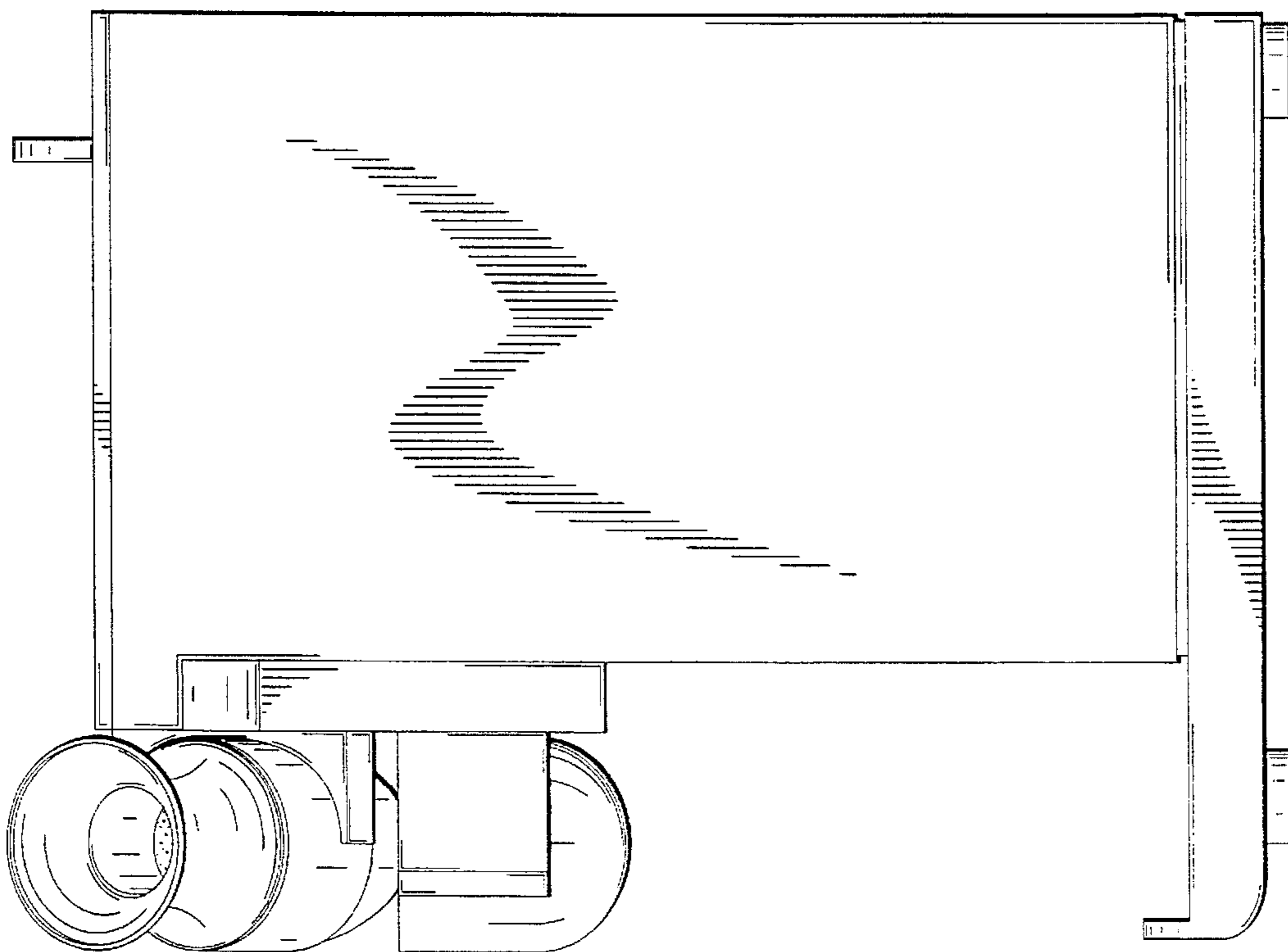


FIG. 4

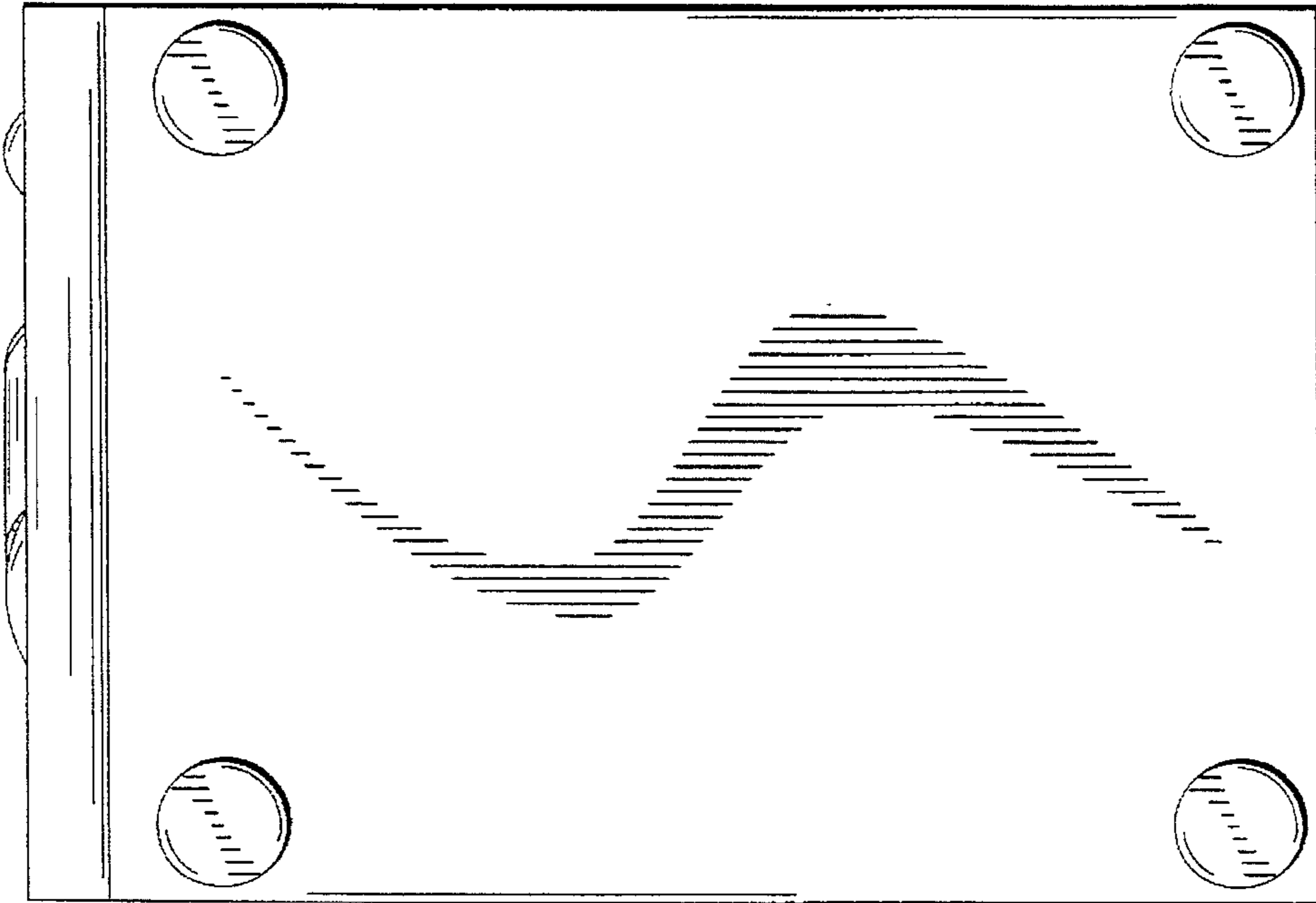


FIG. 7

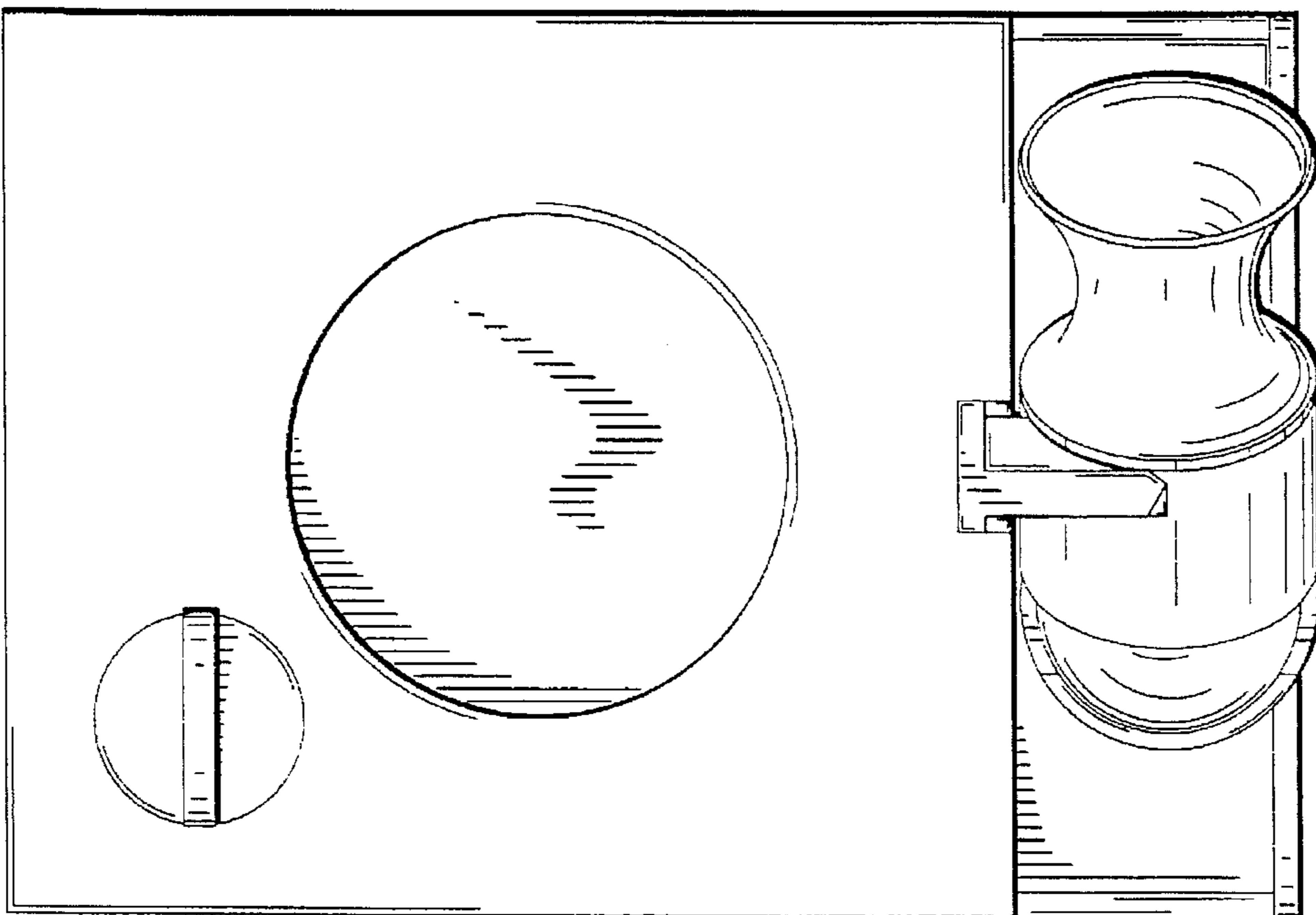


FIG. 6

UNITED STATES PATENT AND TRADEMARK OFFICE
CERTIFICATE OF CORRECTION

PATENT NO. : Des. 379,519
DATED : May 27, 1997
INVENTOR(S) : Stephen D. Carter, Stone Mountain, Ga.

It is certified that error appears in the above-identified patent and that said Letters Patent is hereby corrected as shown below:

On the cover page under Assignee: item [73],

Please delete "Calgene, Inc., Davis, Calif."

Signed and Sealed this

Thirteenth Day of January, 1998



BRUCE LEHMAN

Commissioner of Patents and Trademarks

Attest:

Attesting Officer