



US00D379518S

# United States Patent [19]

[11] Patent Number: **Des. 379,518**

Bergman et al.

[45] Date of Patent: **\*\*May 27, 1997**

[54] **SCRATCH PAD FOR HUMANS**

4,892,091 1/1990 Sullenger ..... D24/211 X

[76] Inventors: **Jeffrey L. Bergman; Ginny L. Bergman**, both of 2131 Llewellyn Rd., Belleville, Ill. 62223

*Primary Examiner*—Stella Reid  
*Attorney, Agent, or Firm*—Polster, Lieder, Woodruff & Lucchesi

[\*\*] Term: **14 Years**

[57] **CLAIM**

[21] Appl. No.: **53,086**

The ornamental design for a scratch pad for humans, as shown and described.

[22] Filed: **Apr. 16, 1996**

**DESCRIPTION**

[51] **LOC (6) Cl.** ..... **28-03**

[52] **U.S. Cl.** ..... **D24/211**

[58] **Field of Search** ..... D24/211, 200; 601/134, 135, 138; 4/606, 605, 610

FIG. 1 is a perspective view of a scratch pad for humans, showing our new design; the broken line showing is for illustrative purposes only forms no part of the claimed design;

FIG. 2 is a front elevational view of the scratch pad;

FIG. 3 is a rear elevational view of the scratch pad;

FIG. 4 is a side elevational view of the scratch pad; and,

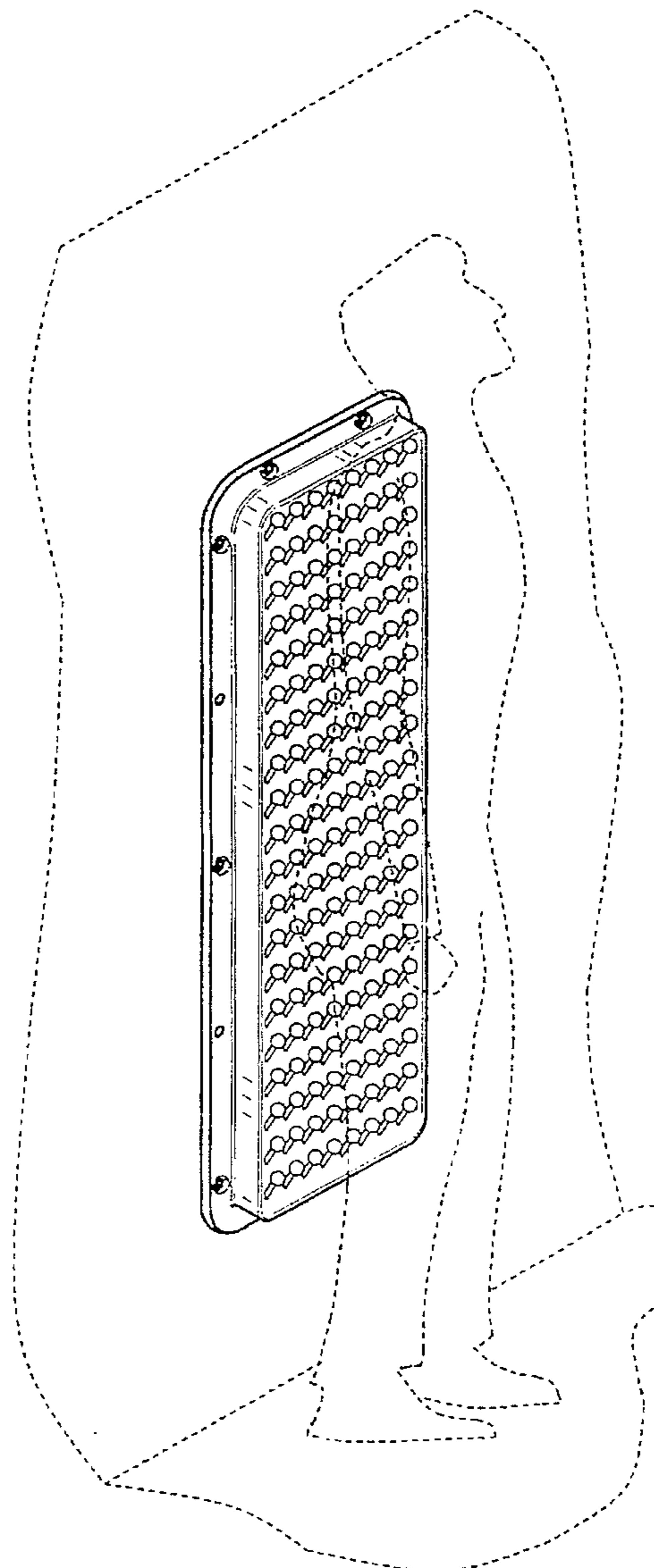
FIG. 5 is an end view of the scratch pad.

[56] **References Cited**

**U.S. PATENT DOCUMENTS**

D. 362,074 9/1995 Brown ..... D24/211  
4,696,068 9/1987 Kenner ..... 4/606

**1 Claim, 1 Drawing Sheet**



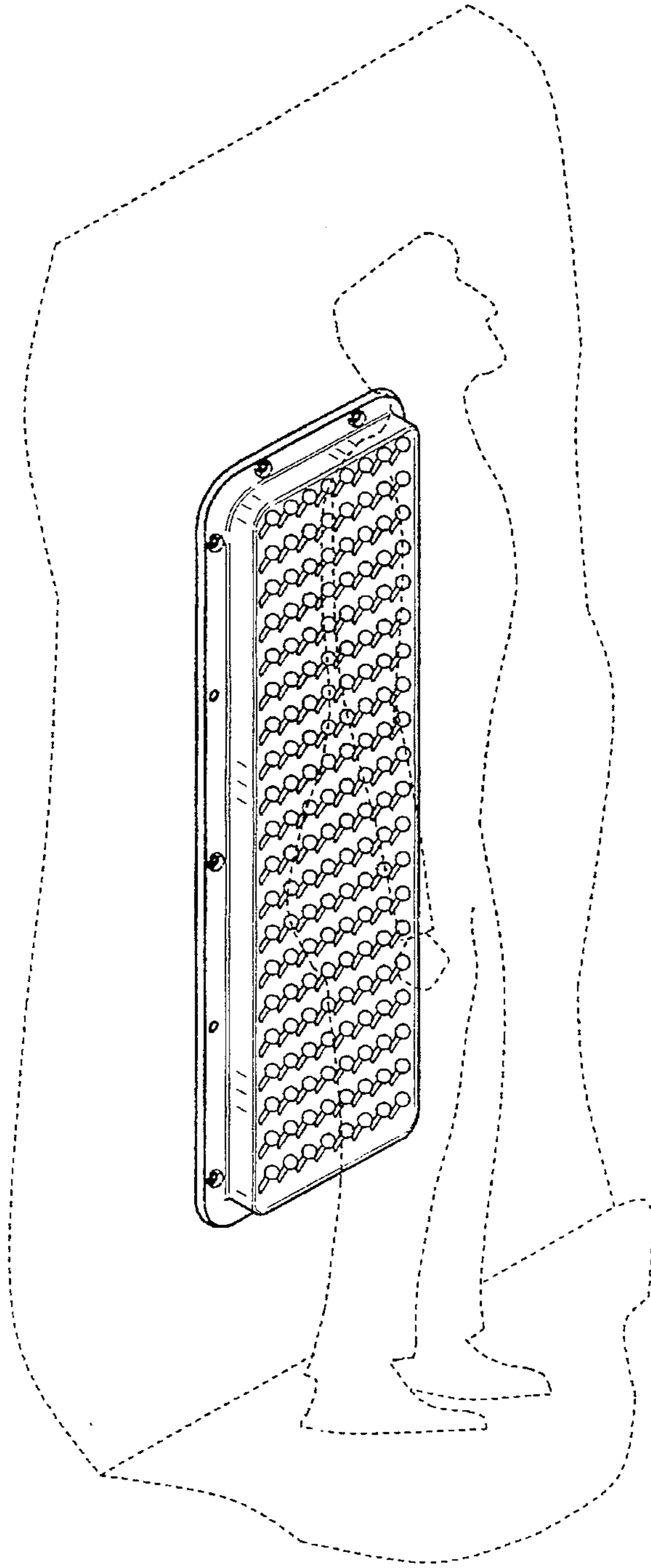


FIG. 1



FIG. 5

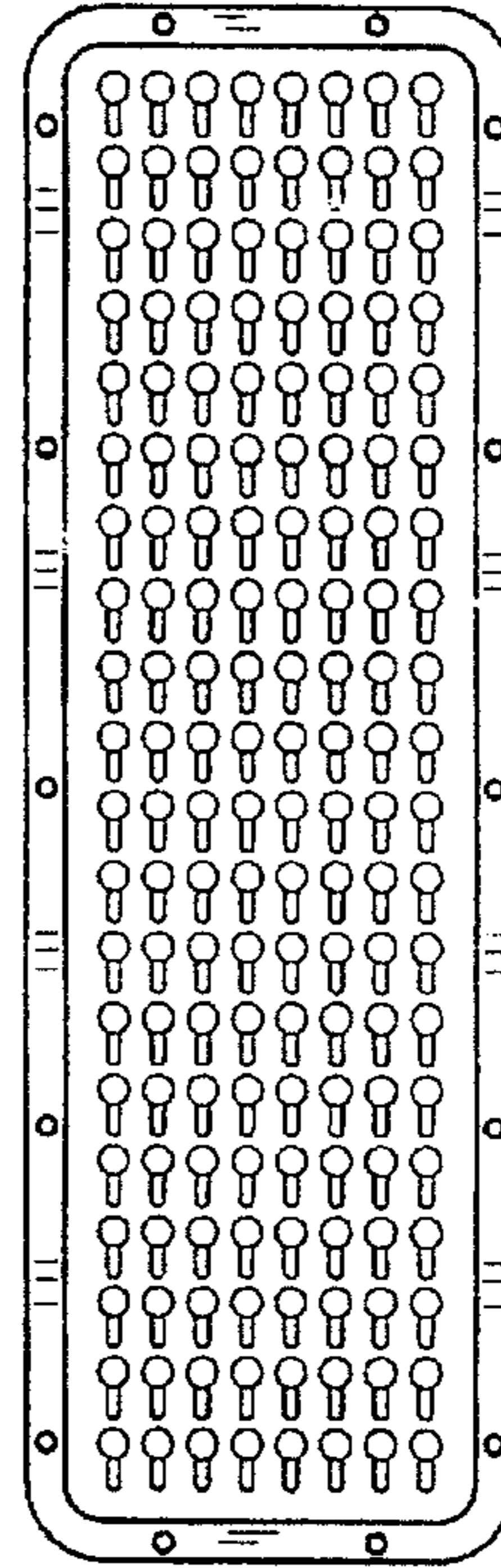


FIG. 2



FIG. 4

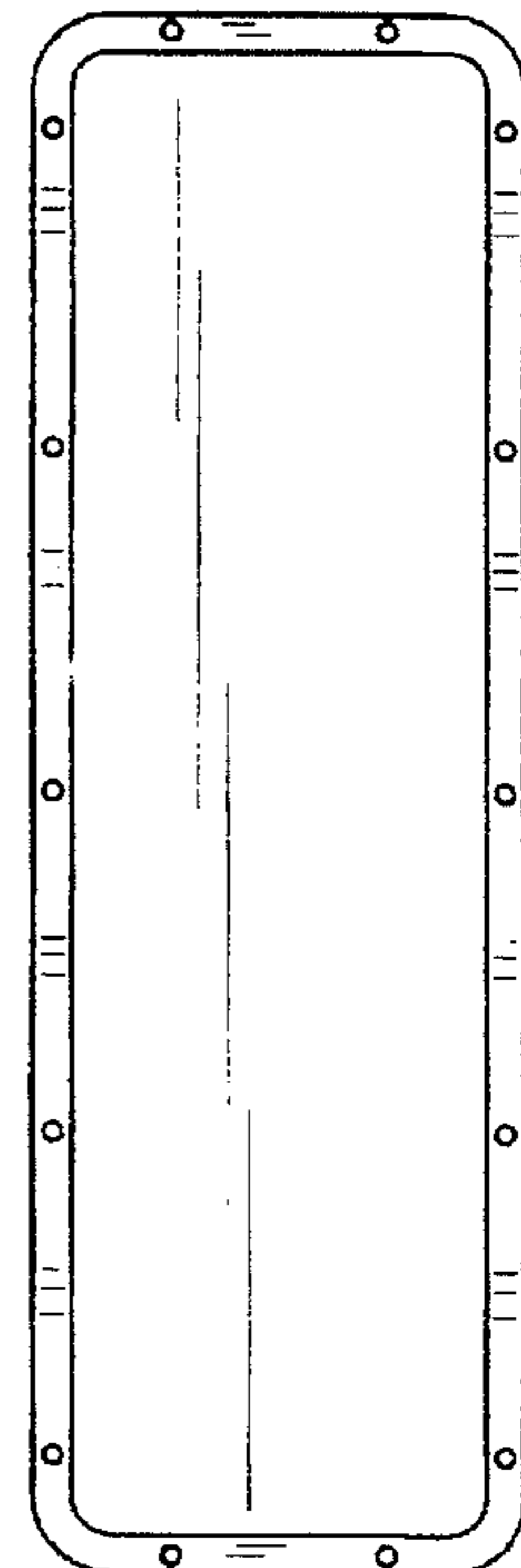


FIG. 3