



US00D379513S

**United States Patent** [19]  
**Ierulli**

[11] **Patent Number: Des. 379,513**

[45] **Date of Patent: \*\*May 27, 1997**

[54] **EXTERNAL NASAL DILATOR**

[76] Inventor: **Joseph V. Ierulli**, 3926 SW. Water Ave., Portland, Oreg. 97201

[\*\*] Term: **14 Years**

[21] Appl. No.: **48,322**

[22] Filed: **Dec. 26, 1995**

[51] **LOC (6) Cl. .... 24-02**

[52] **U.S. Cl. .... D24/135; D24/106; D24/189**

[58] **Field of Search .... D24/135, 189, D24/106; 128/DIG. 26, 200.24, 207.18; 606/199, 204.45; 604/180, 308, 307; 602/54, 55, 56, 58**

[56] **References Cited**

**U.S. PATENT DOCUMENTS**

D. 310,721	9/1990	Beisang, III	.....	D24/128
D. 364,922	12/1995	Bierman	.....	D24/181 X
2,001,862	5/1935	Batley	.....	D24/189 X
3,742,943	7/1973	Malmin	.....	128/207.18 X
4,213,452	7/1980	Shippert	.....	606/199 X
4,534,342	8/1985	Pasca	.....	D24/189 X
5,156,641	10/1992	White	.....	128/207.18
5,295,950	3/1994	Godley	.....	D24/189 X
5,476,091	12/1995	Johnson	.....	128/207.18 X
5,488,944	2/1996	Kennedy	.....	128/DIG. 26 X

**OTHER PUBLICATIONS**

Air Flow "Adhesive Nose Strip"©1995.  
Breathe Right "External Nasal Dilator" Publication ©1995.

*Primary Examiner*—Louis S Zarfaz  
*Assistant Examiner*—I. Simmons  
*Attorney, Agent, or Firm*—Olson & Olson

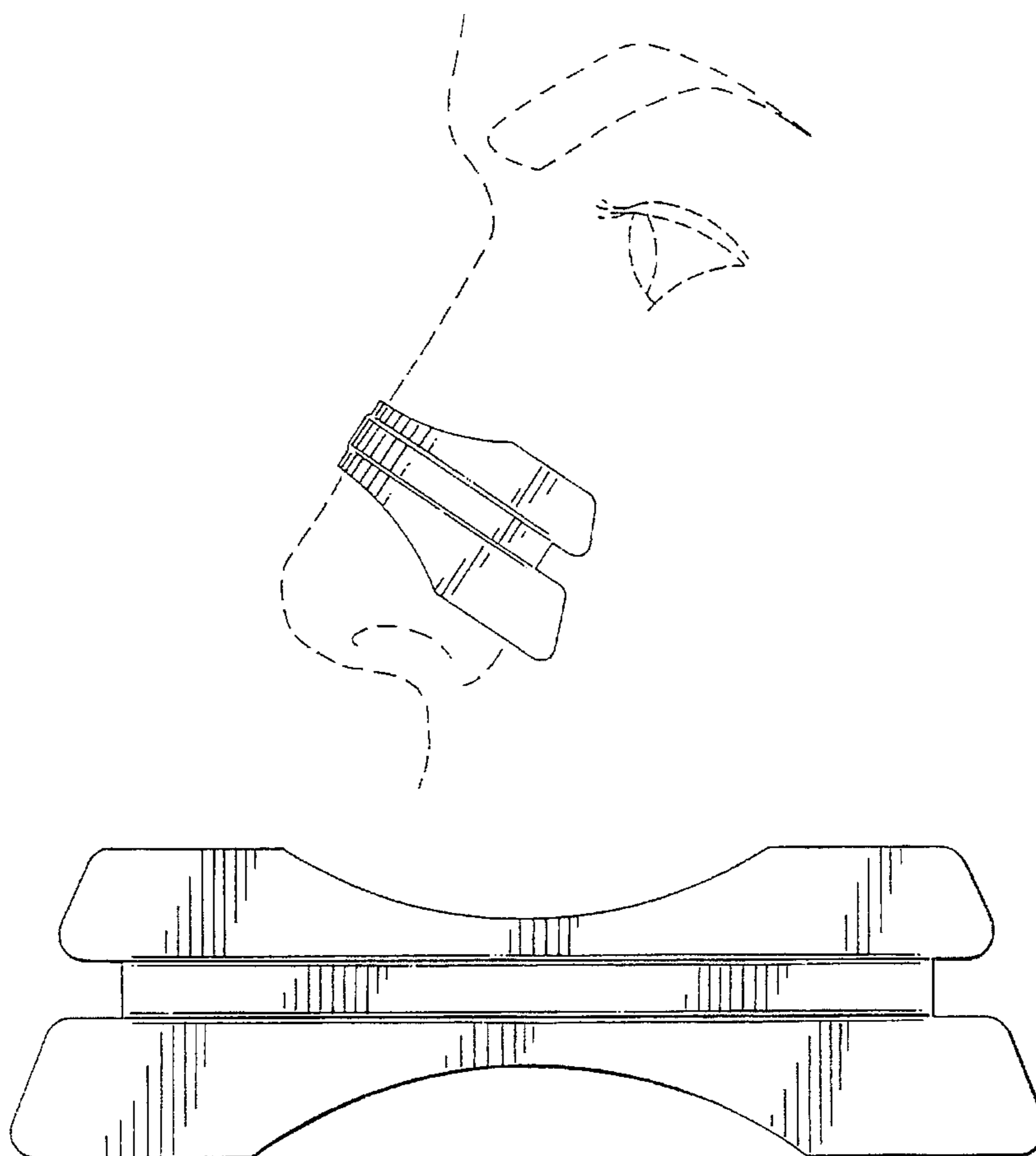
[57] **CLAIM**

The ornamental design of an external nasal dilator, as shown and described.

**DESCRIPTION**

FIG. 1 is a side elevational view of an external nasal dilator showing my new design, the broken line showing of the nose of a wearer's head is for illustrative purposes only and forms no part of the claimed design;  
FIG. 2 is a rear elevation of the external nasal dilator of FIG. 1 as viewed from the top of FIG. 3.  
FIG. 3 is a front plan view as viewed from the bottom in FIG. 2.  
FIG. 4 is a front elevation as viewed from the bottom of FIG. 3.  
FIG. 5 is a side edge view as viewed from the right in FIG. 3; and,  
FIG. 6 is a bottom plan view as viewed from the bottom of FIG. 4.

**1 Claim, 1 Drawing Sheet**



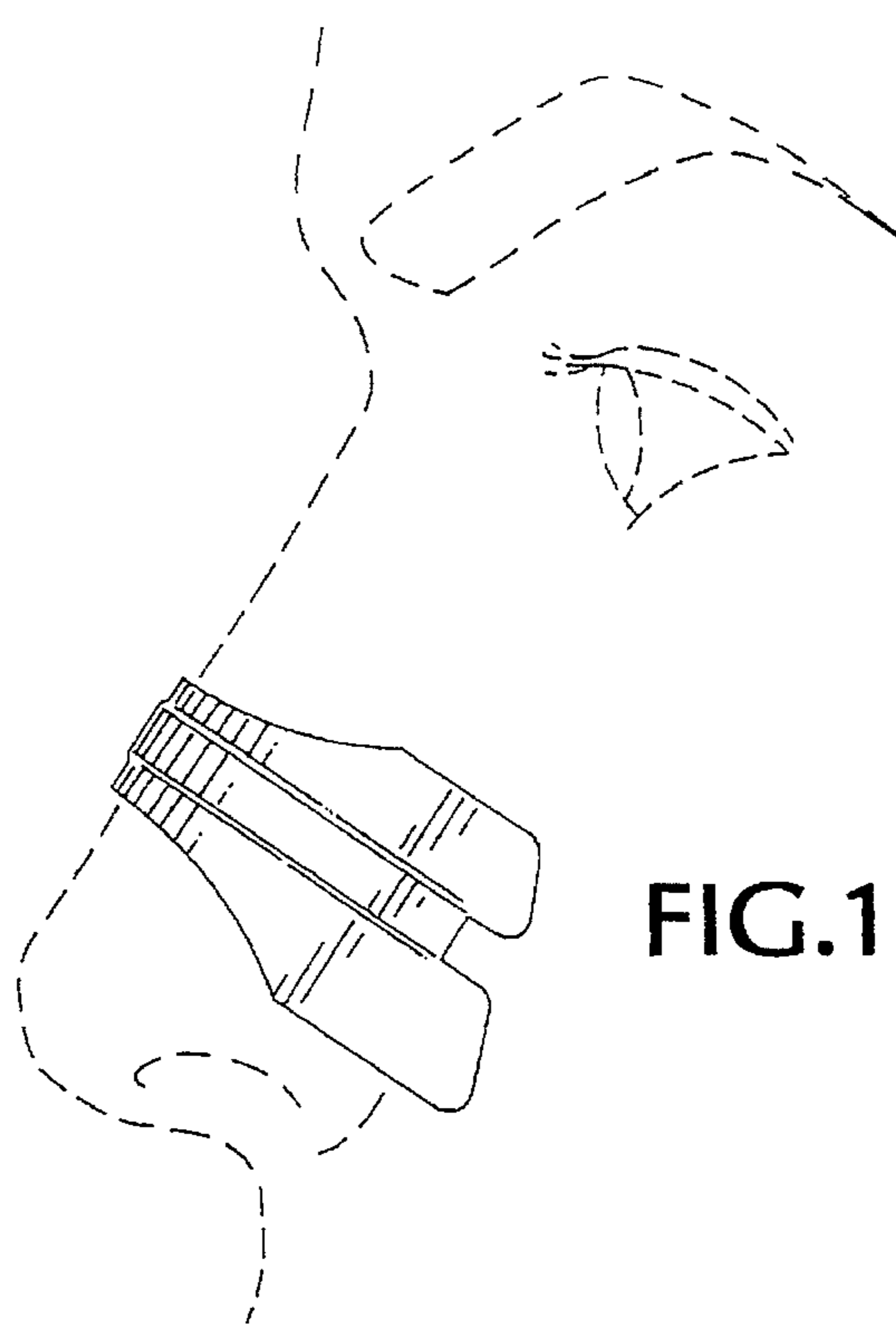


FIG. 2

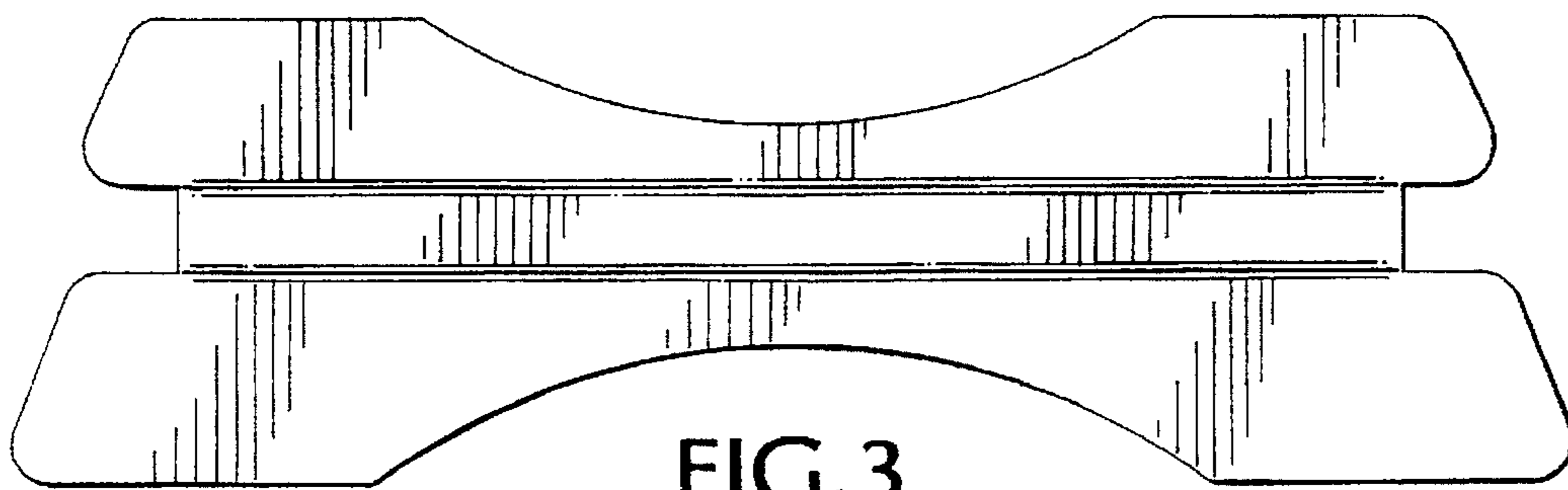


FIG. 5

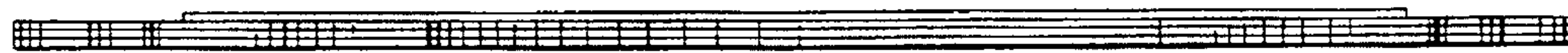


FIG. 4

