



US00D379512S

United States Patent [19]

[11] Patent Number: Des. 379,512

Dieken et al.

[45] Date of Patent: **May 27, 1997

[54] **ERGONOMETRIC STETHOSCOPE CHESTPIECE**

[75] Inventors: **Alan P. Dieken**, Oakdale; **Edward J. Moe**, St. Paul, both of Minn.; **Joy A. Packard**; **Thomas J. Packard**, both of Somerset, Wis.; **Thomas A. Turgeon**, Fridley, Minn.; **Thomas W. Reeder**, Asheville, N.C.

4,569,413 2/1986 Allen 181/131
 4,852,684 8/1989 Packard 181/131
 4,913,259 4/1990 Packard 181/131
 4,995,473 2/1991 Packard 181/137
 5,204,500 4/1993 Dufresne et al. 181/131
 5,288,953 2/1994 Peart 181/130
 5,367,575 11/1994 Dieken et al. 381/67

[73] Assignee: **Minnesota Mining and Manufacturing Company**, St. Paul, Minn.

[**] Term: **14 Years**

[21] Appl. No.: **48,848**

[22] Filed: **Jan. 11, 1996**

Related U.S. Application Data

[63] Continuation of Ser. No. 46,196, Nov. 10, 1995.

[51] **LOC (6) Cl.** **24-02**
 [52] **U.S. Cl.** **D24/134**
 [58] **Field of Search** D24/134; 181/131, 181/137

[56] References Cited

U.S. PATENT DOCUMENTS

D. 185,178 5/1959 Spears, Jr. D83/12
 D. 205,171 6/1966 Littmann D83/12
 D. 213,257 1/1969 Littmann D83/12
 D. 214,002 4/1969 Machlup et al. D83/12
 D. 227,890 3/1985 Loughridge et al. D24/20
 D. 323,394 1/1992 Casto et al. D24/134
 D. 337,381 7/1993 Dufresne et al. D24/134
 D. 338,269 8/1993 Dufresne et al. D24/134
 D. 353,196 12/1994 Savage et al. D24/134
 3,108,652 10/1963 Littmann 181/24
 3,275,099 9/1966 Speelman 181/24
 3,288,246 11/1966 Allen 181/24
 3,339,667 9/1967 Speelman 181/24
 3,472,335 10/1969 Allen 181/24
 4,254,302 3/1981 Walshe 179/1 ST
 4,440,258 4/1984 Packard 181/137
 4,475,619 10/1984 Packard 181/137

OTHER PUBLICATIONS

Brochure entitled, "Littmann Classic II and Pediatric and Infant Stethoscope", dated Jan. 5, 1994, (1 page).
 Brochure entitled, "The Allen Series", by Newport Instruments, Inc. (1983), (5 pages).
 Brochure entitled, "Have you heard the latest about Auscultation?", by Welch Allyn Company, (10 pages) ©1987.
 Brochure entitled, "Jetzt mit 10 Seiten Wohnmobil", by Wapema, (8 pages) 1988/1989.
 Brochure entitled, "Adgram", vol. 8, Issued 5, by American Diagnostic Corporation, Sep.-Oct. 1994, (1 page). Note the Master Adscope™ 600.
 Catalog by nm Medical, (3 pages) Apr. 1994.
 Brochure entitled, "Anesthesia Specialties", by Buffalo Medical Specialties MFG. Inc. (1983), (17 pages).

(List continued on next page.)

Primary Examiner—Doris V. Coles
Assistant Examiner—Ian Simmons
Attorney, Agent, or Firm—Gary L. Griswold; Walter N. Kirn; Kari H. Bartingale

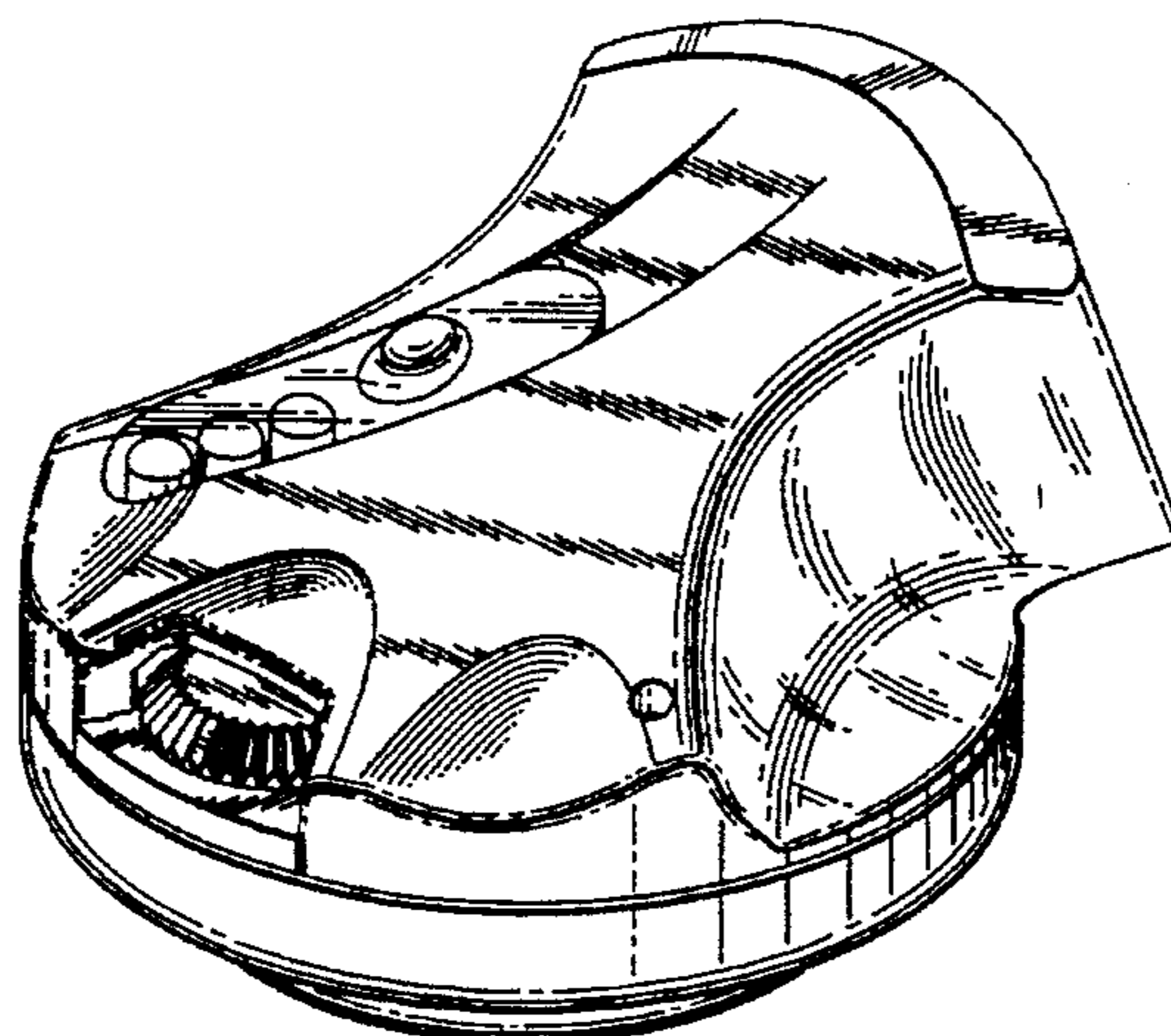
[57] CLAIM

The ornamental design for an ergonomic stethoscope chestpiece, as shown and described.

DESCRIPTION

FIG. 1 is a perspective view of an ergonomic stethoscope chestpiece;
 FIG. 2 is a top plan view thereof;
 FIG. 3 is a bottom plan view thereof;
 FIG. 4 is a front elevational view thereof;
 FIG. 5 is a rear elevational view thereof;
 FIG. 6 is a left side elevational view thereof; and,
 FIG. 7 is a right side elevational view thereof.

1 Claim, 3 Drawing Sheets



OTHER PUBLICATIONS

- Brochure entitled, "Series 22 Stethoscope", Series 12 Stethoscope, and Price List dated Mar. 1, 1980, by Newport Instruments, Inc. (4 pages).
- Brochure entitled, "Littmann Classic II Stethoscope, The standard of the industry", 3M Health Care, (1 page). Prior Art.
- Brochure entitled, "Littmann Master Classic Stethoscope, The most efficient general exam stethoscope", 3M Health Care, (1 page). Prior Art.
- Brochure entitled, "3M Littmann Master Cardiology Stethoscope", 3M Health Care, (1 page). Prior Art.
- Brochure entitled, "Heine Gamma 20", by Heine USA Ltd., (1 page).
- Brochure entitled, "3M Littmann Cardiology II Stethoscope", (1 page). Prior Art.
- Brochure entitled, "Die MET-Stethoskop-Baureihe", by F.L. Fischer, (2 pages). Prior Art.
- Brochure entitled, "Heine Gamma", by Heine USA LTD, (3 pages). Prior Art.
- Brochure entitled, "Sensitive Dual Membrane Stethoscope", by Erka, (2 pages). Prior Art.
- Brochure entitled, "Sphygmomanometers, Stethoscopes & Accessories", by Welch Allyn Company, (5 pages). Prior Art.
- Catalog by American Diagnostic Corporation entitled, "Medical Instruments Worldwide Catalogue", (8 pages). Prior Art.
- Brochure entitled, "Range of Stethoscopes", by Kamed® Medical Apparatus and Instruments, (13 pages). Prior Art.

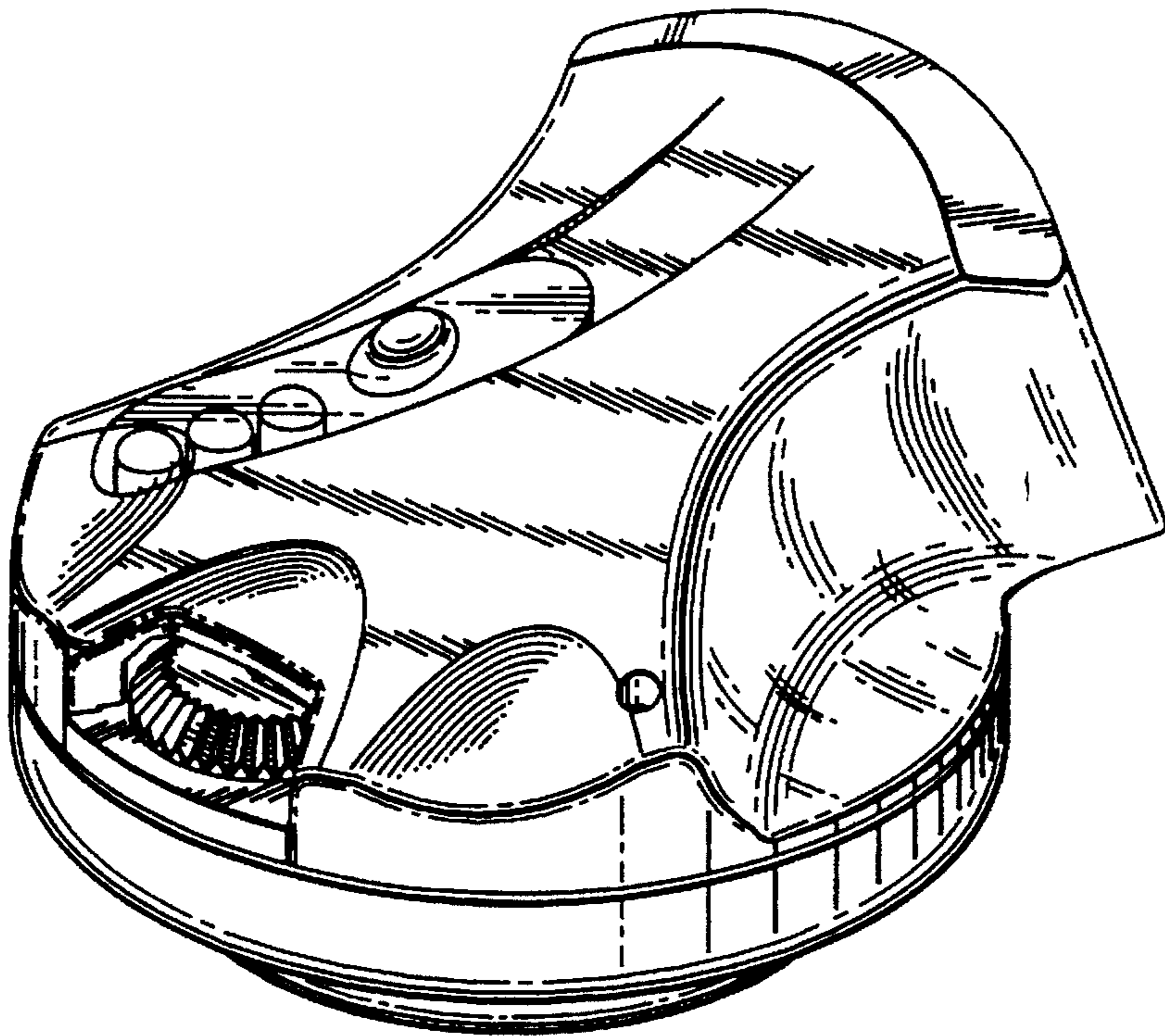


Fig. 1

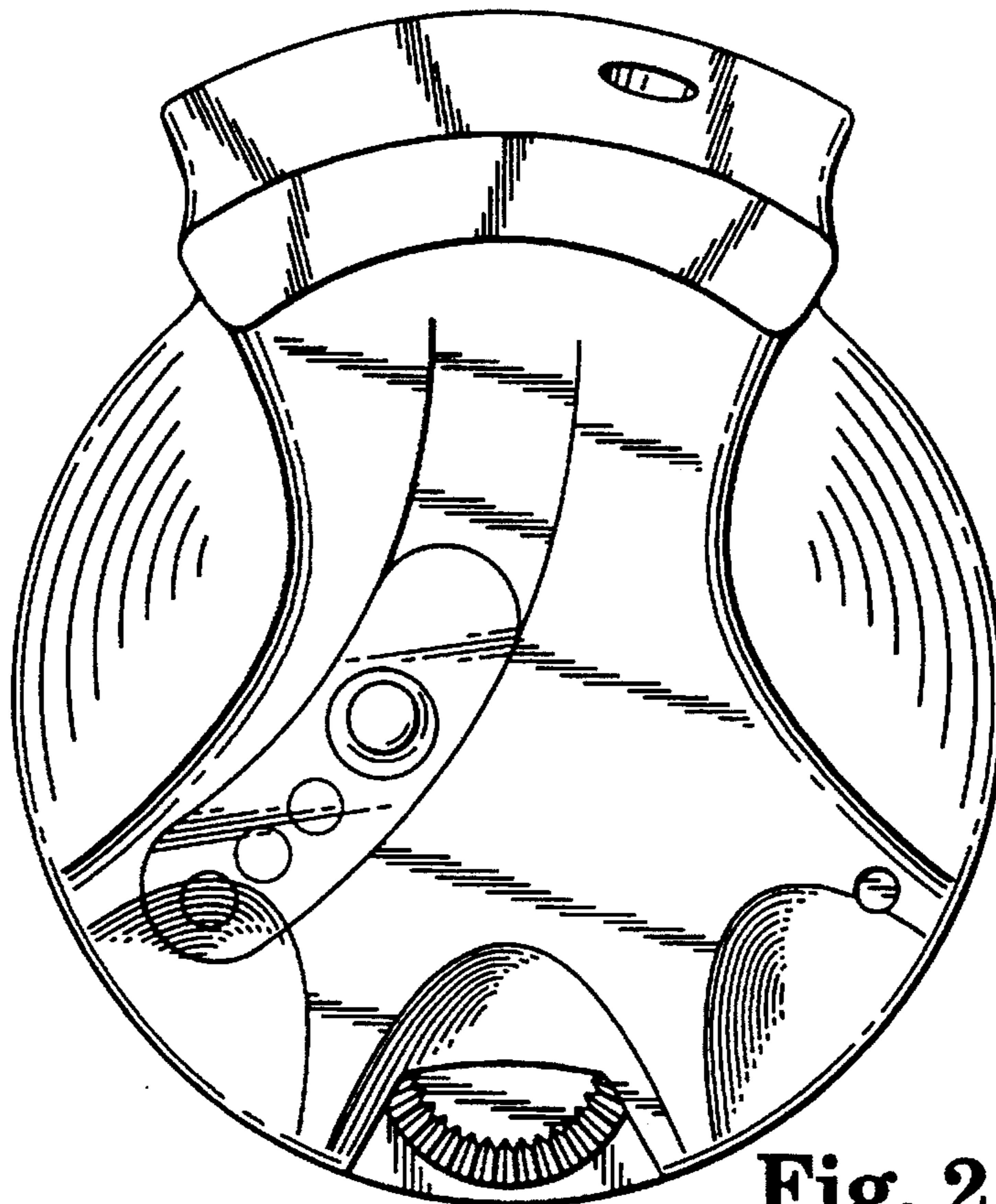


Fig. 2

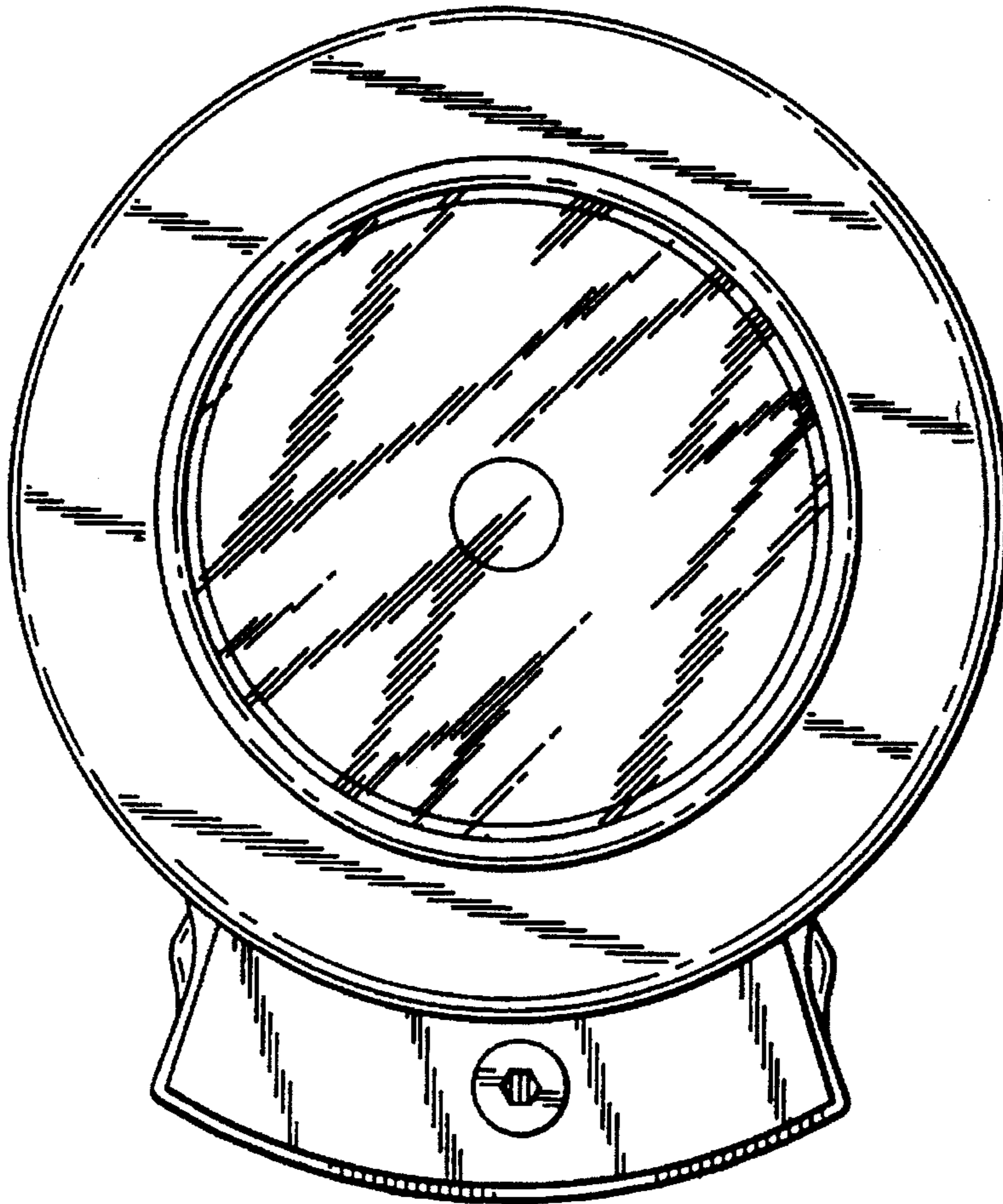


Fig. 3

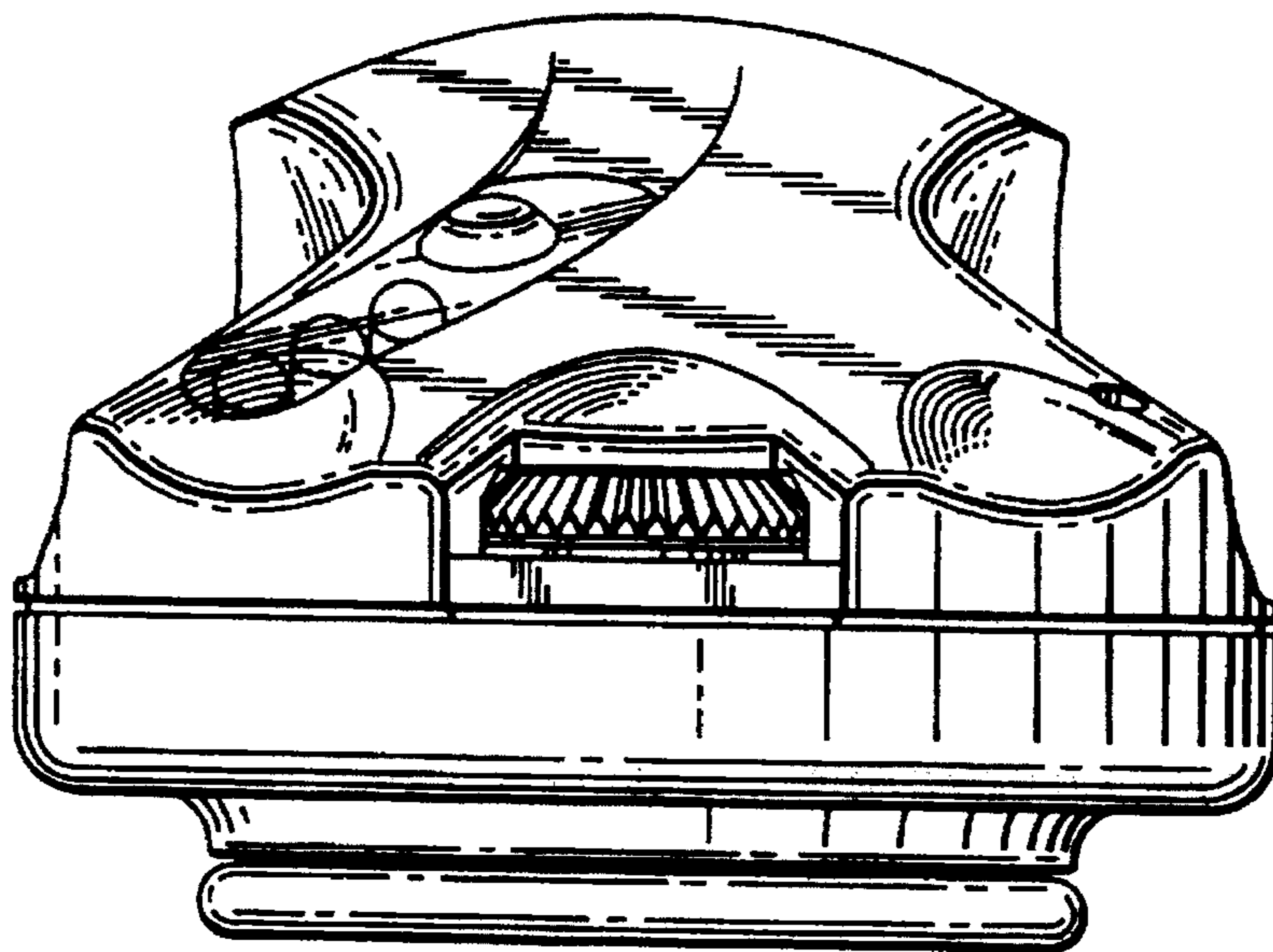


Fig. 4

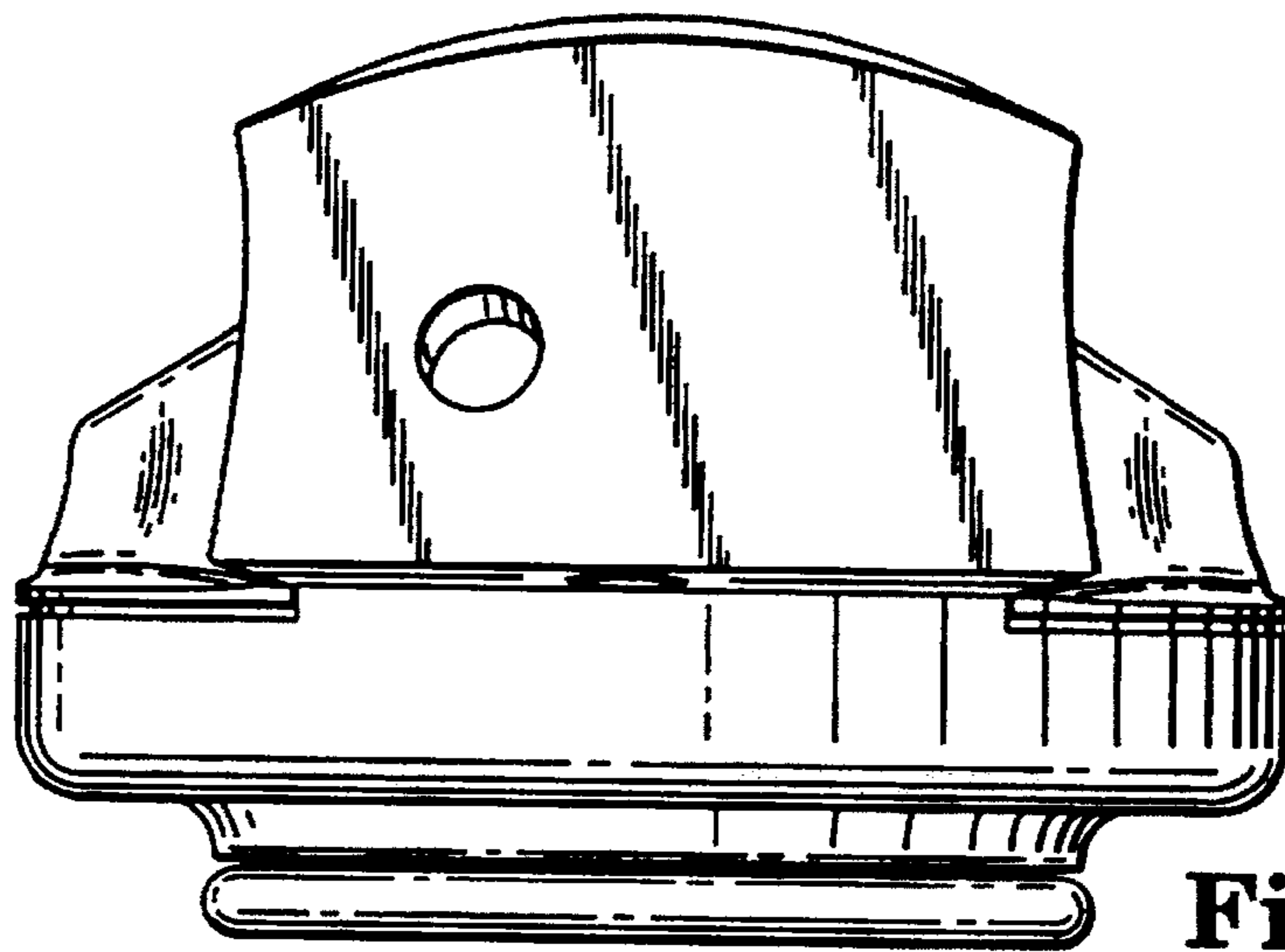


Fig. 5

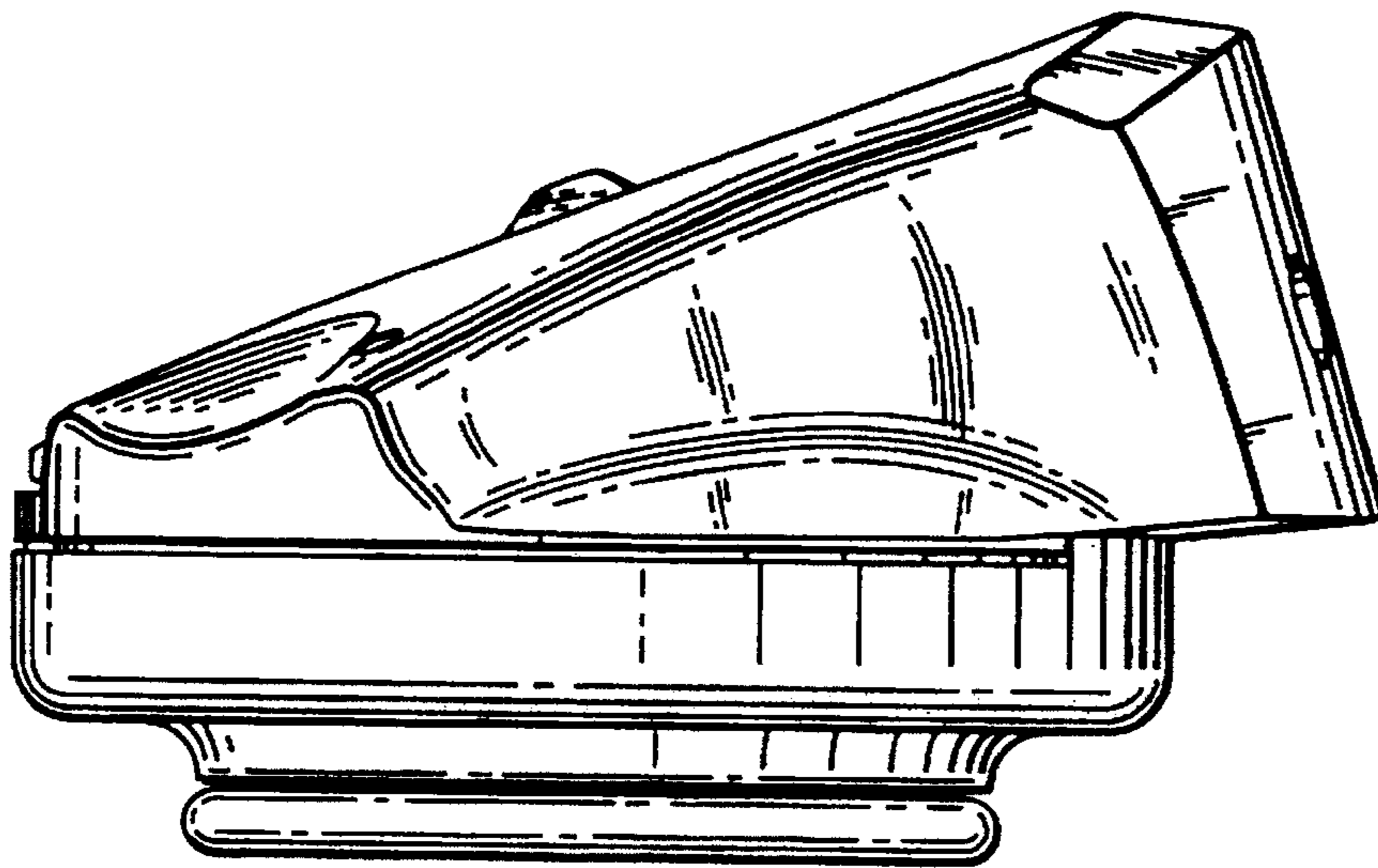


Fig. 6

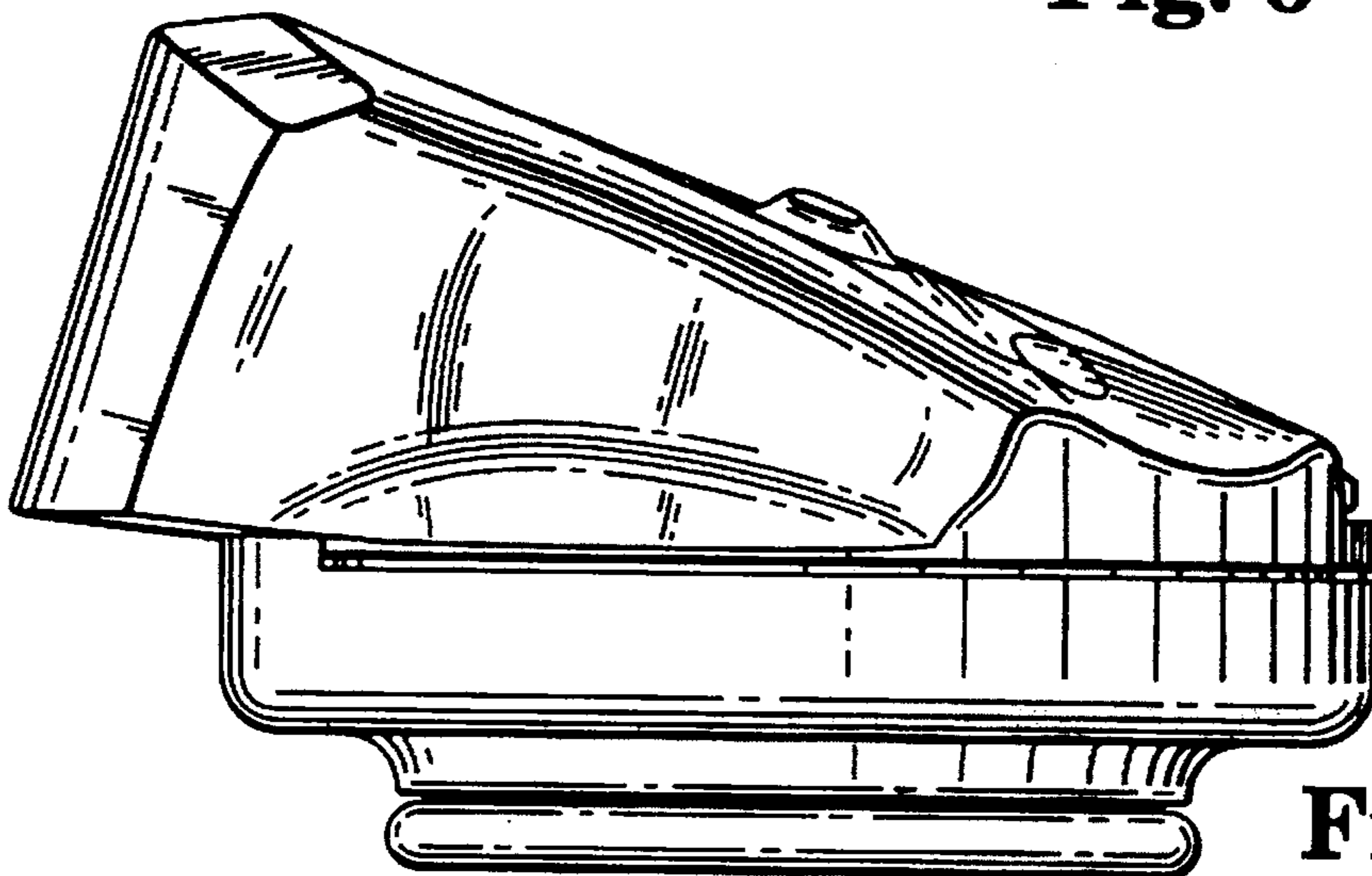


Fig. 7