



US00D379511S

United States Patent [19]
Von Stein

[11] **Patent Number: Des. 379,511**

[45] **Date of Patent: **May 27, 1997**

[54] **TOOL**

[75] **Inventor: Paul A. Von Stein, Flanders, N.J.**

[73] **Assignee: SmithKline Beecham Corporation, Philadelphia, Pa.**

[**] **Term: 14 Years**

[21] **Appl. No.: 44,922**

[22] **Filed: Oct. 3, 1995**

[51] **LOC (6) Cl. 24-02**

[52] **U.S. Cl. D24/133; D24/119; D24/147**

[58] **Field of Search D24/114, 133, D24/147; D8/16, 17, 14; 128/760, 761; 604/1, 2; 206/369, 15.3, 569, 210**

[56] **References Cited**

U.S. PATENT DOCUMENTS

D. 186,157	9/1959	Whamond	D24/119
D. 333,002	2/1993	Tarrson et al.	D24/133
D. 362,940	10/1995	Johnson	D28/37 X
3,345,669	10/1967	Starry	D24/119 X
4,667,996	5/1987	Gaspar	294/61
5,046,640	9/1991	Carroll	221/213

Primary Examiner—Louis S. Zarfaz
Assistant Examiner—I. Simmons

Attorney, Agent, or Firm—Nora Stein-Fernandez; William T. King; Edward T. Lentz

[57] **CLAIM**

The ornamental design for a tool, as shown and described.

DESCRIPTION

FIG. 1 is a perspective view of a first embodiment of the tool;
 FIG. 2 is a perspective view of a second embodiment of the tool;
 FIG. 3 is a top plan view of the first embodiment of the tool;
 FIG. 4 is a side plan view of the first embodiment of the tool;
 FIG. 5 is a bottom plan view of first embodiment of the tool;
 FIG. 6 is a rear plan view of the first embodiment of the tool;
 FIG. 7 is a front plan view of the first embodiment of the tool;
 FIG. 8 is a top plan view of the second embodiment of the tool;
 FIG. 9 is a side plan view of the second embodiment of the tool;
 FIG. 10 is a bottom plan view of the second embodiment of the tool;
 FIG. 11 is a front plan view of the second embodiment of the tool; and,
 FIG. 12 is a rear plan view of the second embodiment of the tool.

1 Claim, 3 Drawing Sheets

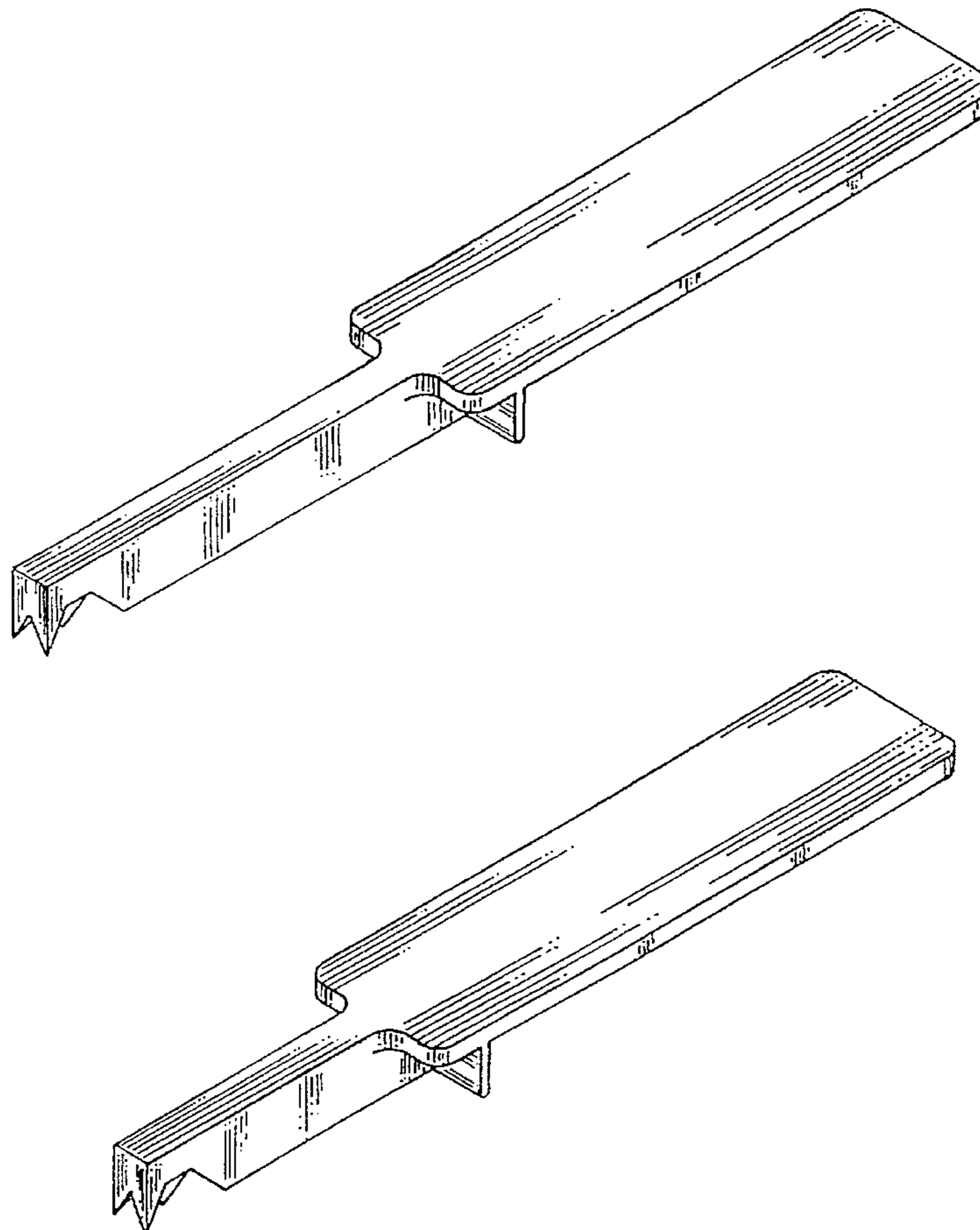


FIG. 1

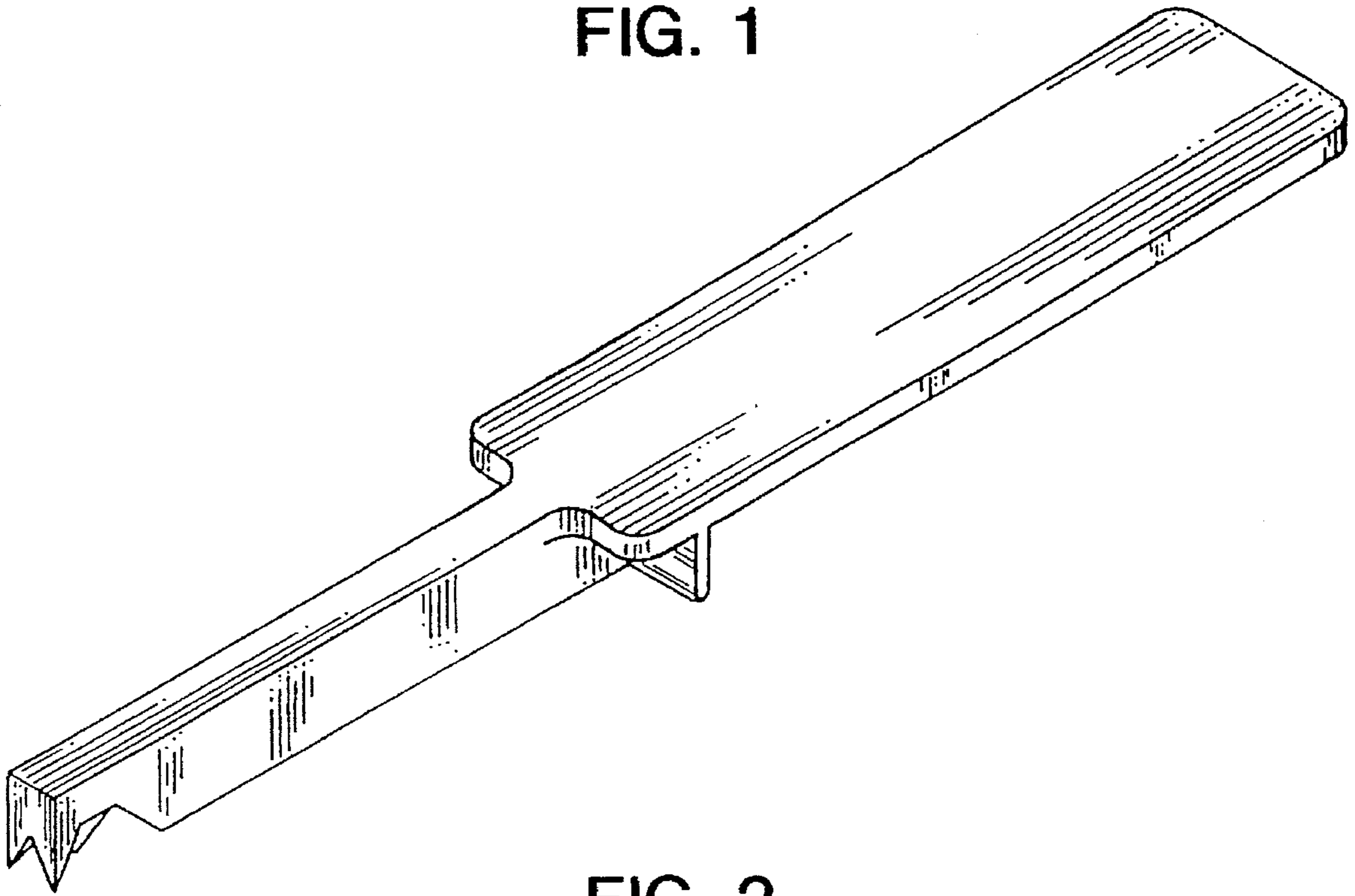


FIG. 2

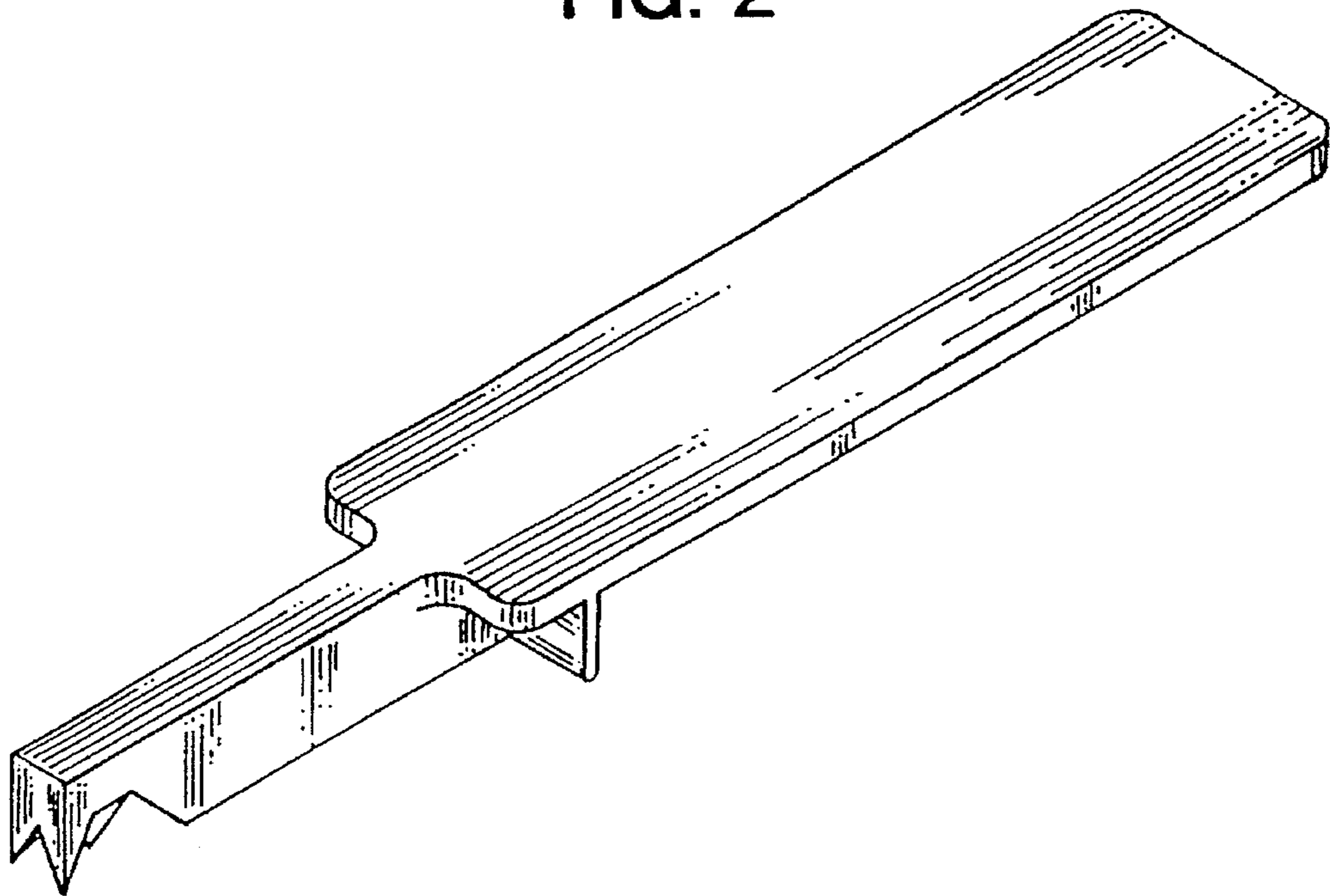


FIG. 3



FIG. 4



FIG. 5

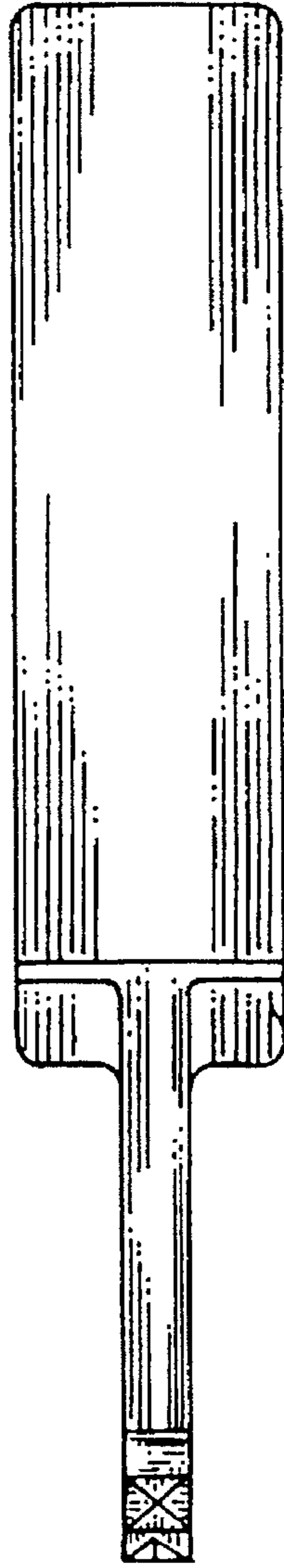


FIG. 7



FIG. 6

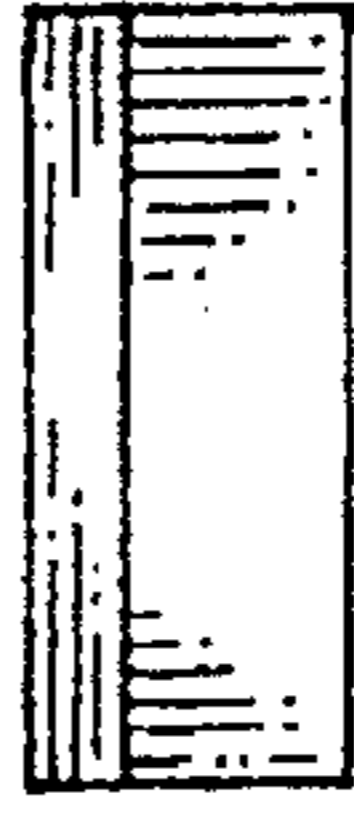


FIG. 8

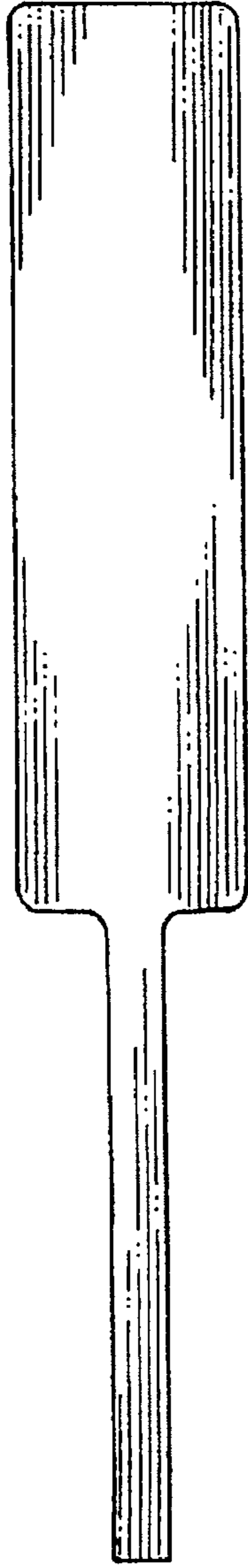


FIG. 9

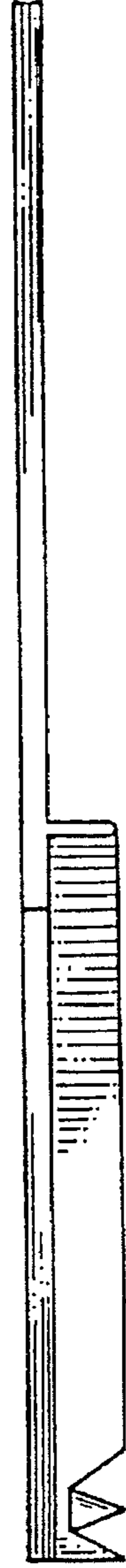


FIG. 11

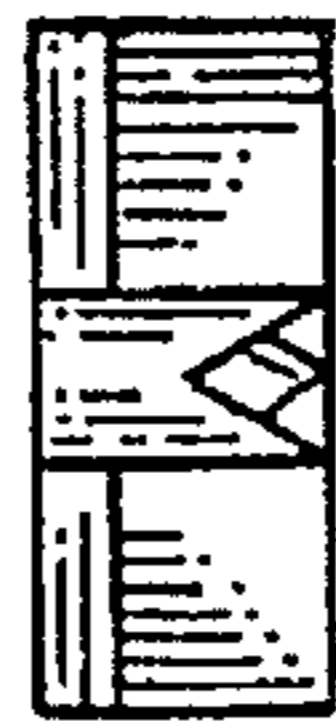


FIG. 12



FIG. 10

