

US00D379510S

# United States Patent [19]

[11] Patent Number: Des. 379,510

Bays

[45] Date of Patent: \*\*May 27, 1997

[54] **MEDICAL INSTRUMENT HANDLE**

[75] Inventor: **F. Barry Bays**, Clearwater, Fla.

[73] Assignee: **Xomed Surgical Products, Inc.**, Jacksonville, Fla.

[\*\*] Term: **14 Years**

[21] Appl. No.: **38,142**

[22] Filed: **Apr. 27, 1995**

[51] LOC (6) Cl. .... **24-02**

[52] U.S. Cl. .... **D24/133**

[58] Field of Search ..... D24/133, 112, D24/135, 140, 143; 606/53, 72, 79, 80, 86, 96, 97, 98, 99, 103, 161, 166, 204.25; 81/489; D8/82, 83, 84, 85, 86, 87, 107

### [56] References Cited

#### U.S. PATENT DOCUMENTS

D. 282,523 2/1986 Riemann ..... D8/107 X  
 D. 342,313 12/1993 Hood et al. .... D24/133 X

#### OTHER PUBLICATIONS

Linvatec 1993 instrument catalog, pp. 97-98.

*Primary Examiner*—James M. Gandy

*Assistant Examiner*—Linda Brooks

### [57] CLAIM

The ornamental design for a medical instrument handle, as shown and described.

### DESCRIPTION

FIG. 1 is a perspective view of a medical instrument handle showing my new design with broken lines showing a medical tool forming no part of the claimed design;

FIG. 2 is a top plan view of the medical instrument handle of FIG. 1;

FIG. 3 is a left side elevational view of the medical instrument handle of FIG. 1;

FIG. 4 is a right side elevational view of the medical instrument handle of FIG. 1;

FIG. 5 is a bottom plan view of the medical instrument handle of FIG. 1;

FIG. 6 is rear elevational view of the medical instrument handle of FIG. 1;

FIG. 7 is a front elevational view of the medical instrument handle of FIG. 1;

FIG. 8 is a perspective view of an alternate embodiment of a medical instrument handle showing my new design with broken lines showing a medical tool and cap forming no part of the claimed design;

FIG. 9 is a top plan view of the medical instrument handle of FIG. 8;

FIG. 10 is a left side elevational view of the medical instrument handle of FIG. 8;

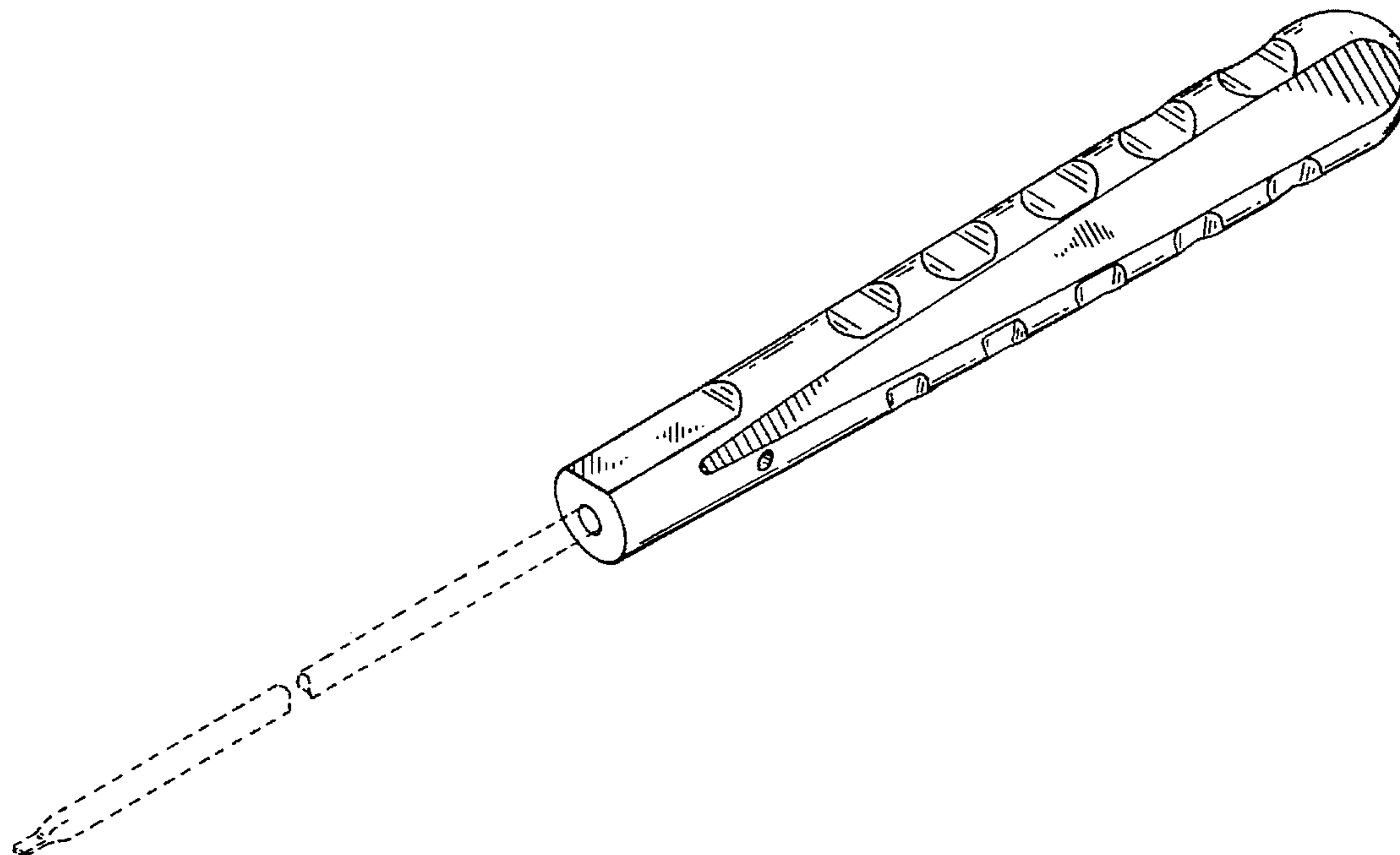
FIG. 11 is a right side elevational view of the medical instrument handle of FIG. 8;

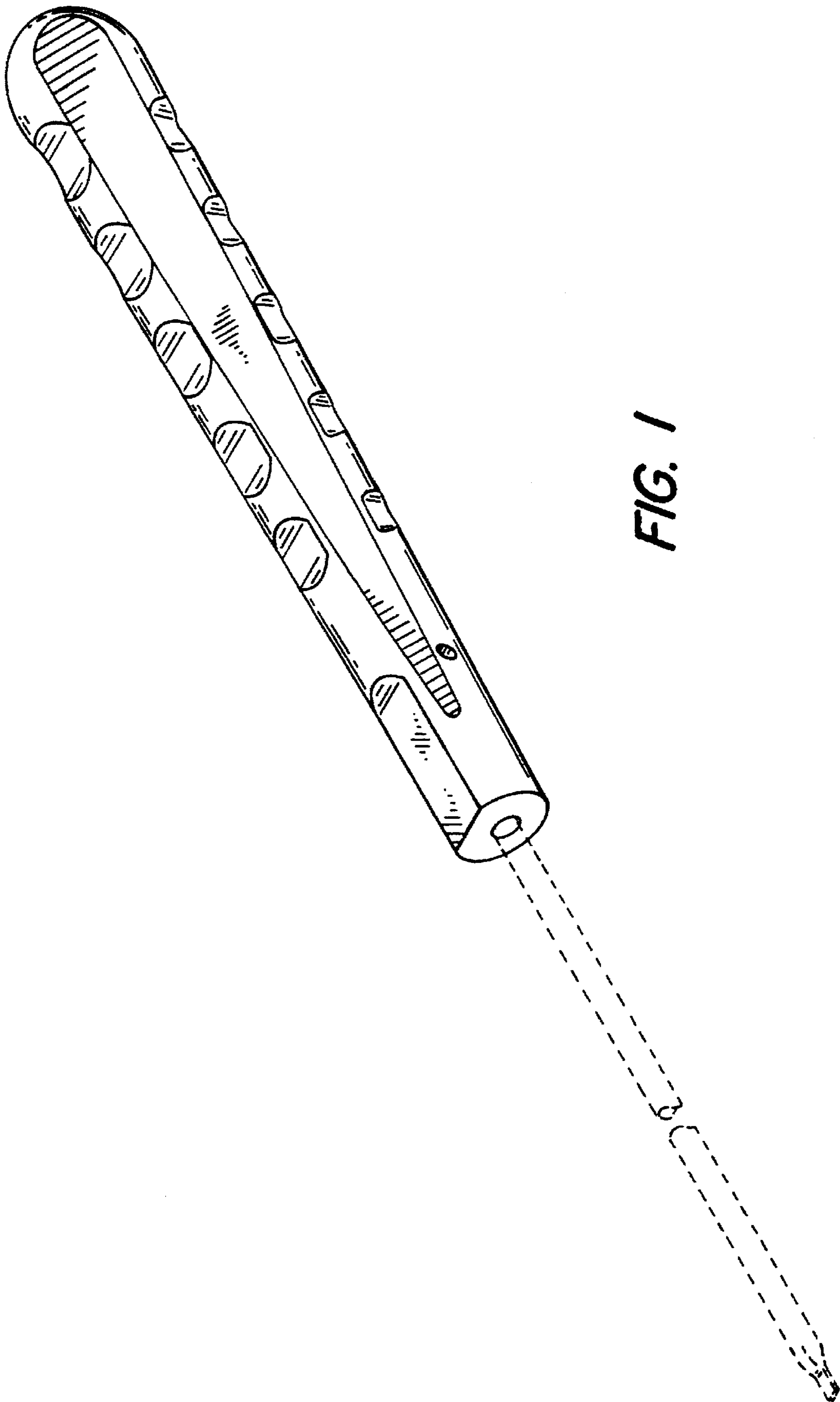
FIG. 12 is a bottom plan view of the medical instrument handle of FIG. 8; and,

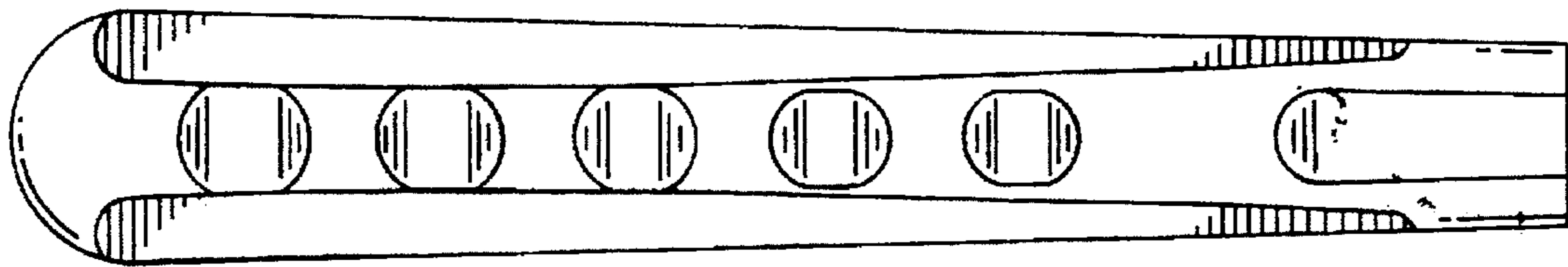
FIG. 13 is a front elevational view of the medical instrument handle of FIG. 8.

The rear surface of the medical instrument handle of FIG. 8 forms no part of the claimed design.

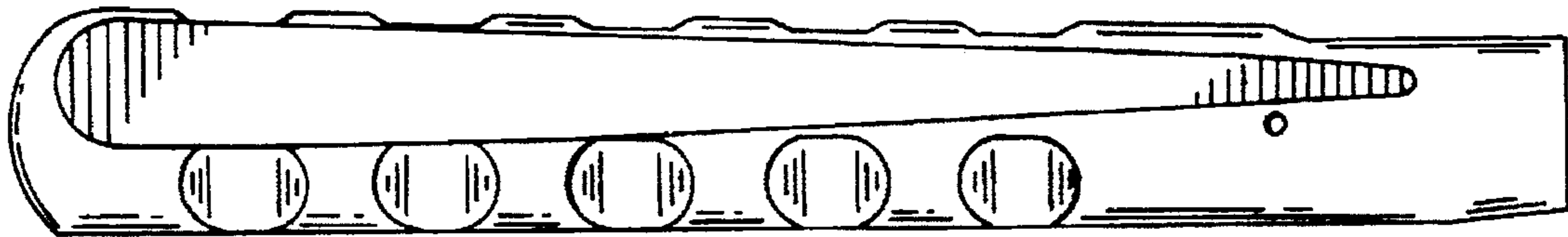
1 Claim, 4 Drawing Sheets



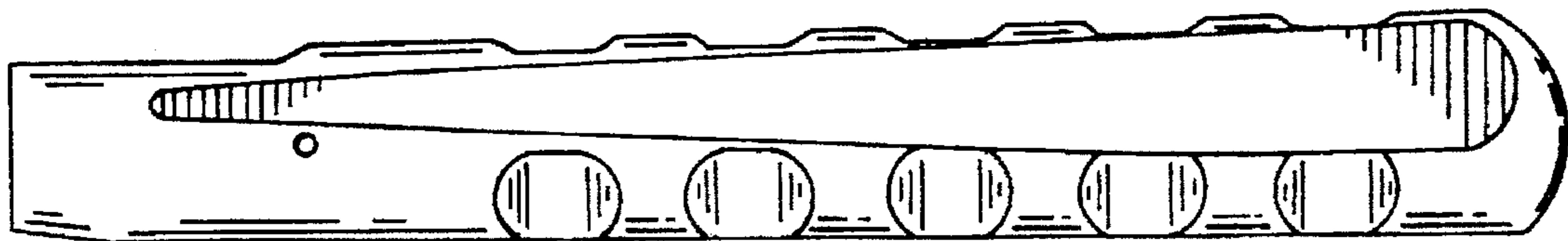




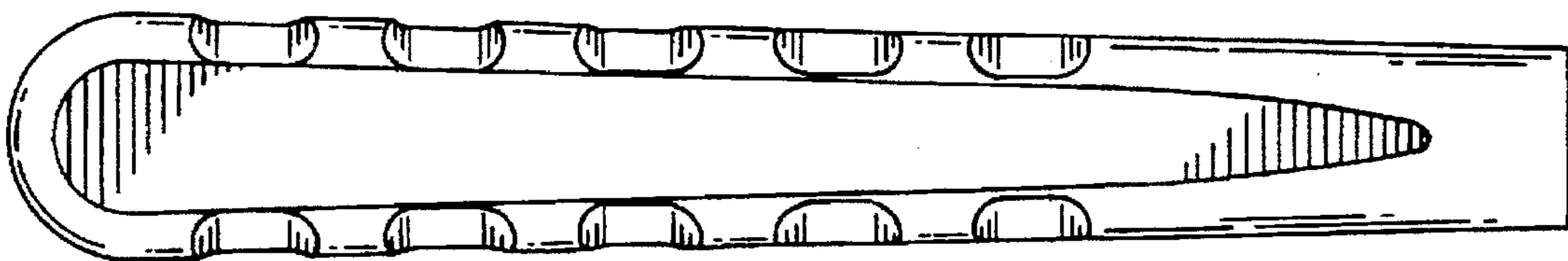
*FIG. 2*



*FIG. 3*

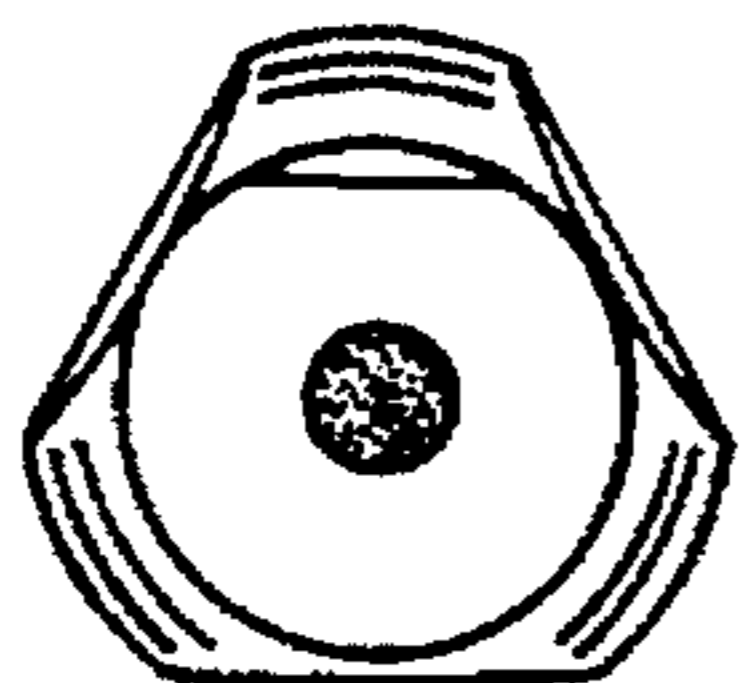


*FIG. 4*

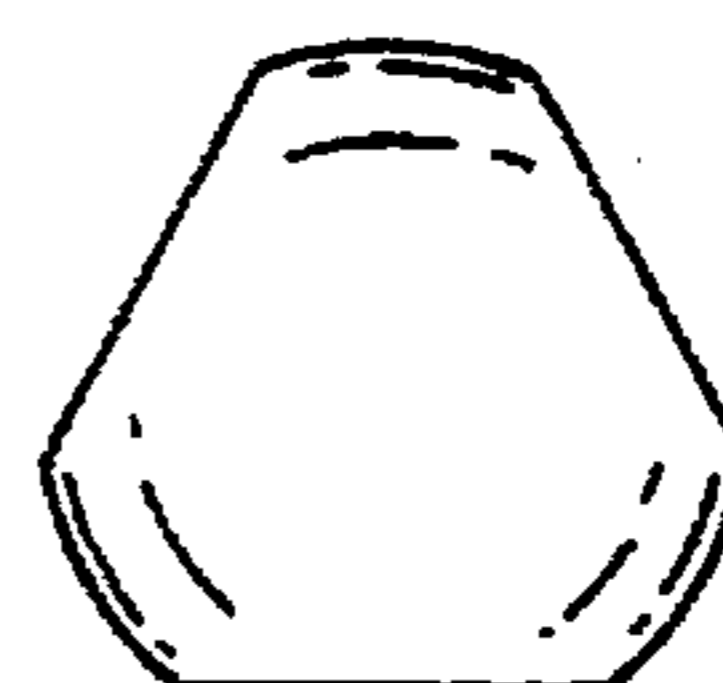


*FIG. 5*

*FIG. 7*



*FIG. 6*



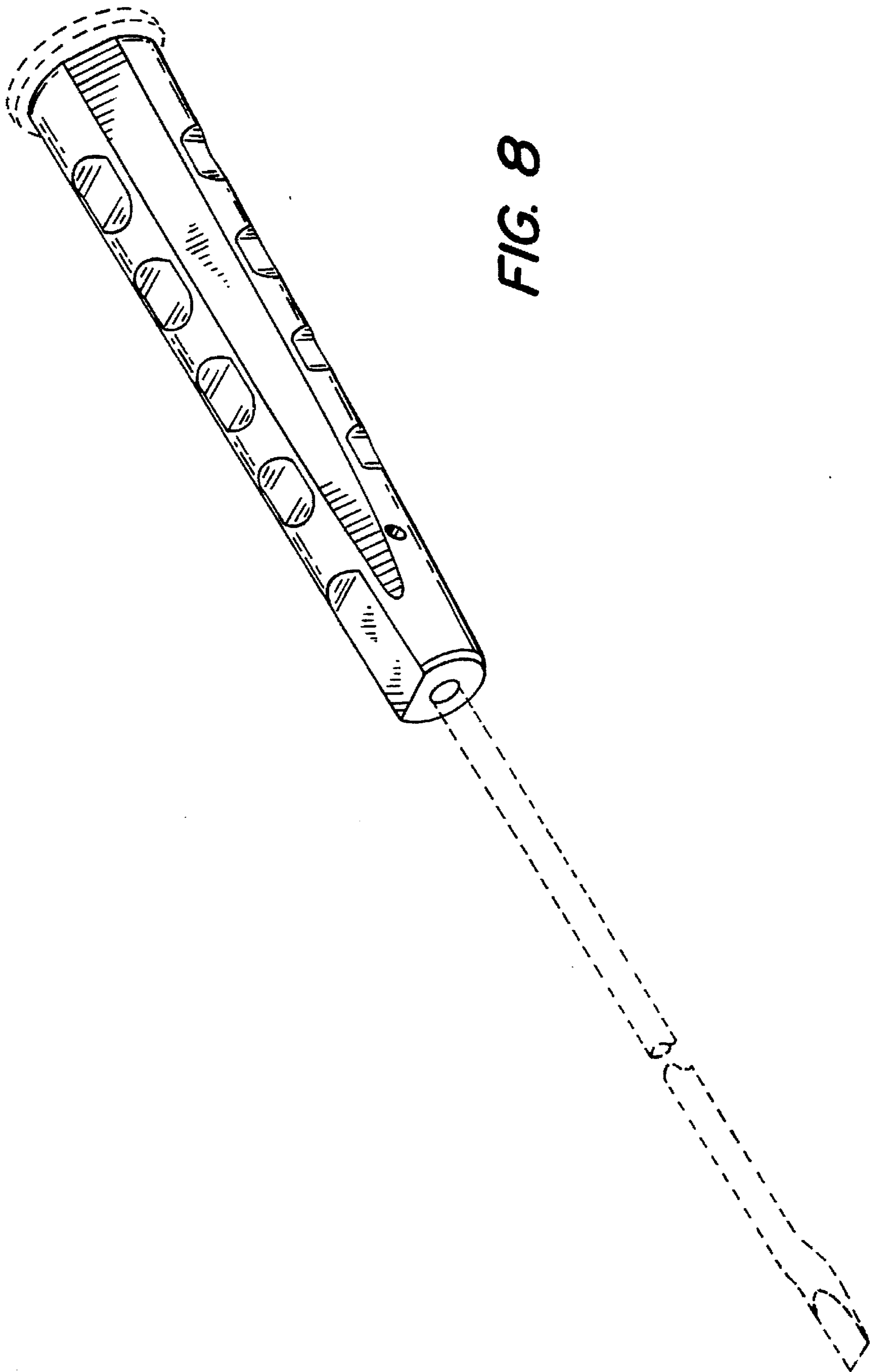
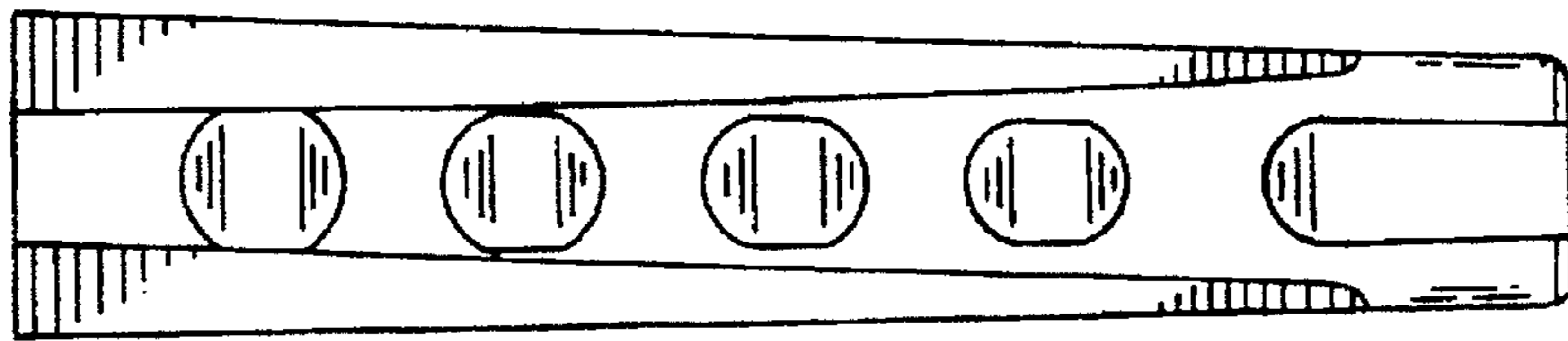
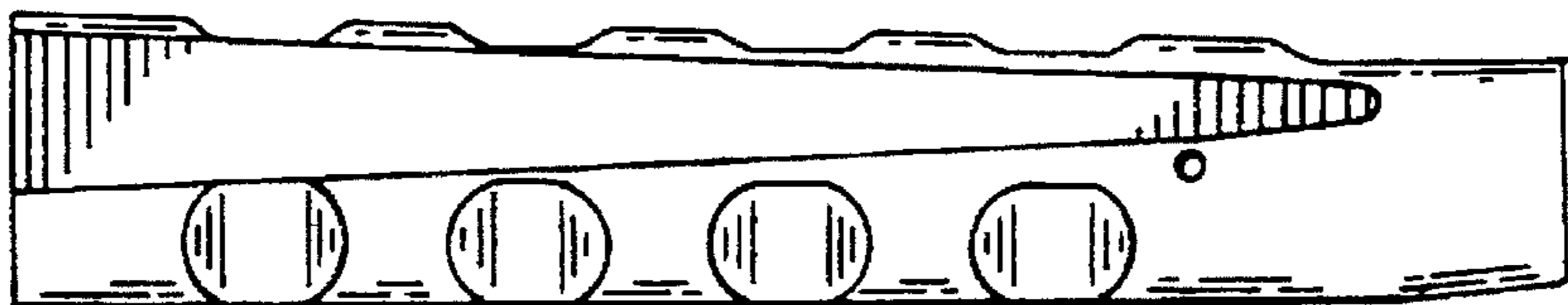


FIG. 8

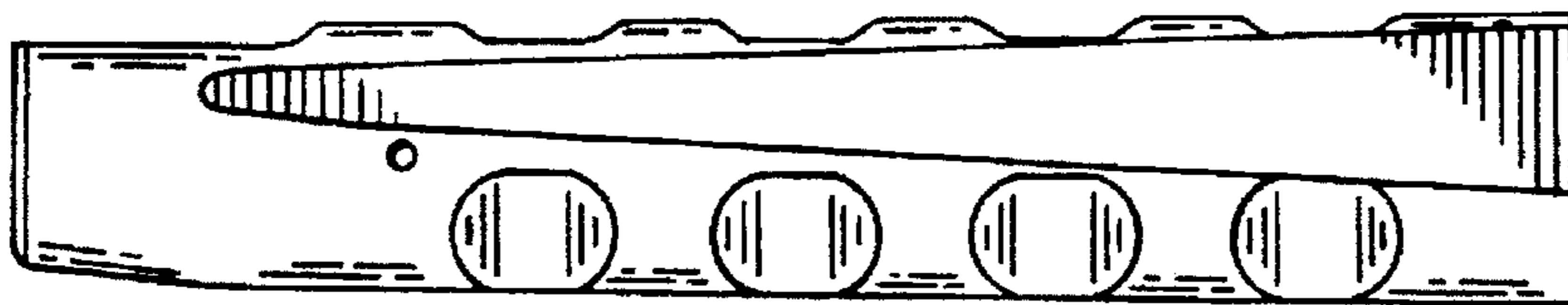




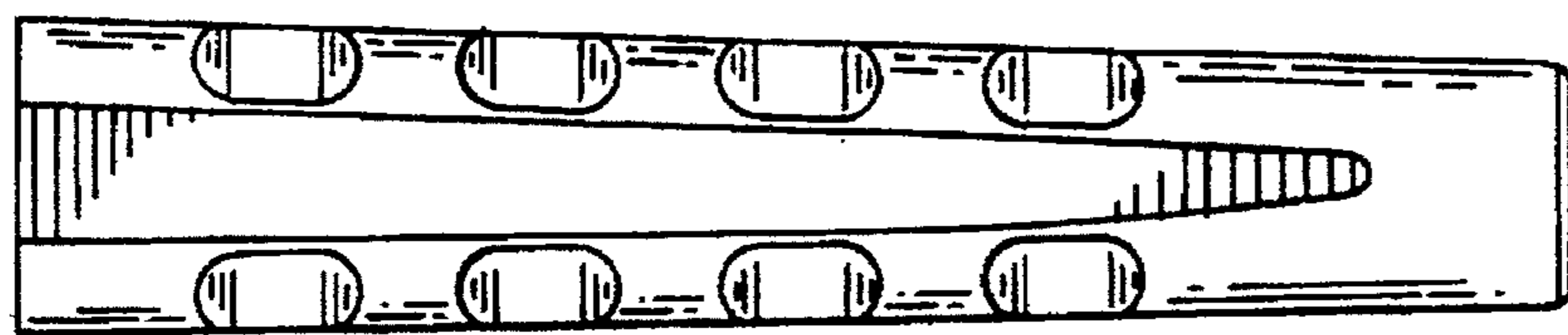
**FIG. 9**



**FIG. 10**



**FIG. 11**



**FIG. 12**

**FIG. 13**

