



US00D379509S

United States Patent [19]

[11] Patent Number: **Des. 379,509**

Macko

[45] Date of Patent: ****May 27, 1997**

[54] **MULTIPLE I.V. HOLDER**

4,988,062 1/1991 London 128/DIG. 28

[76] Inventor: **Steven C. Macko**, P.O. Box 40458,
Albuquerque, N.M. 87196

Primary Examiner—Louis S. Zarfes

Assistant Examiner—I. Simmons

[**] Term: **14 Years**

[57] **CLAIM**

[21] Appl. No.: **49,831**

The ornamental design for a multiple I.V. holder, as shown and described.

[22] Filed: **Feb. 1, 1996**

DESCRIPTION

[51] LOC (6) Cl. 24-02

[52] U.S. Cl. D24/128

[58] Field of Search D24/128, 127,
D24/228, 230; D6/567; D8/356; 248/309.1;
211/70.6, 70.5, 60.1, 70.1, 72, 71, 89; 128/DIG. 28

FIG. 1 is a perspective view of a multiple I.V. holder showing my new design;

FIG. 2 is a top plan view;

FIG. 3 is a left side view;

FIG. 4 is a front view;

FIG. 5 is a right side view;

FIG. 6 is a bottom plan view;

FIG. 7 is a back view;

FIG. 8 is a perspective view of a second embodiment of FIG. 1, the opposite side being identical thereto; and,

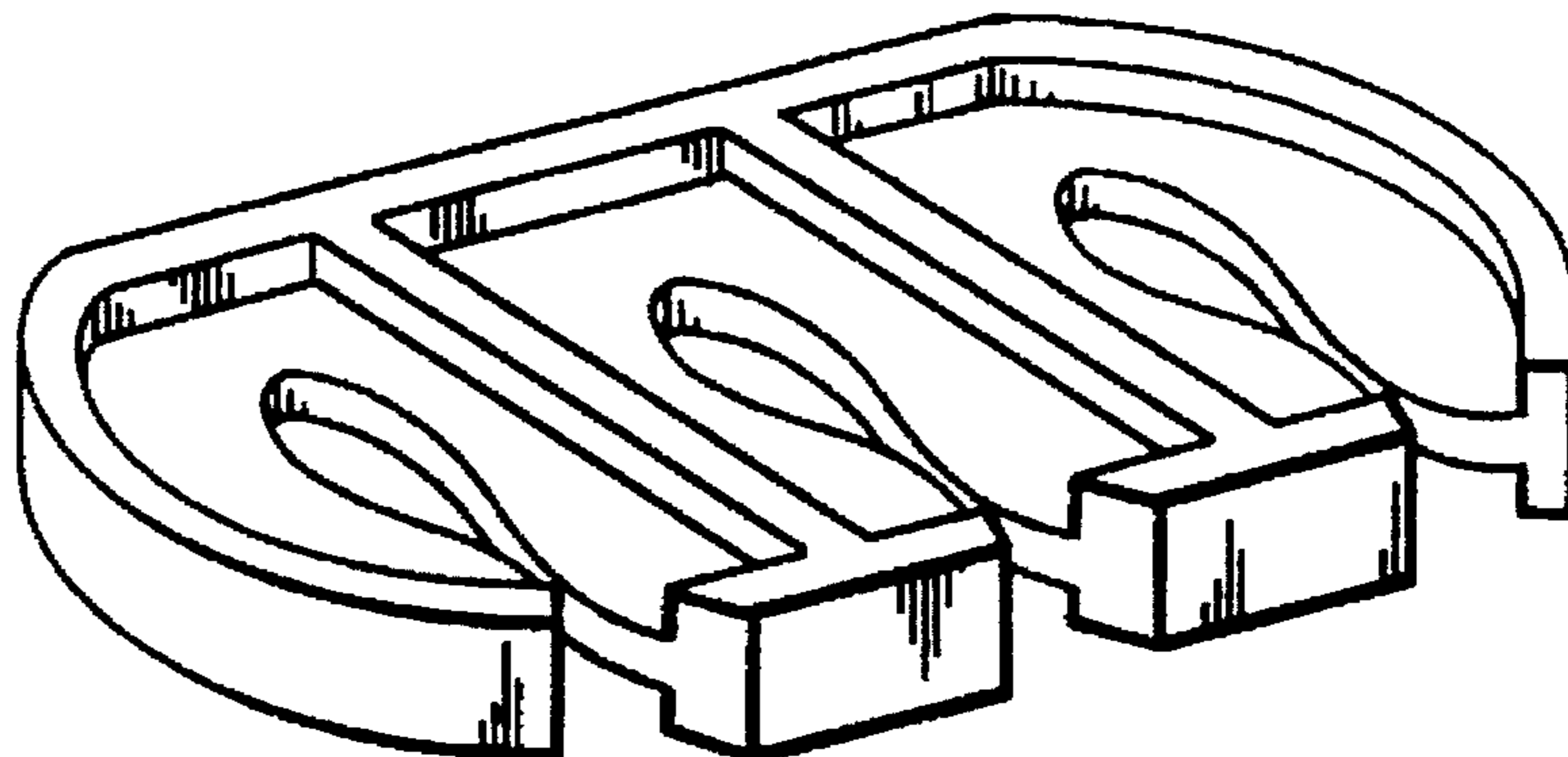
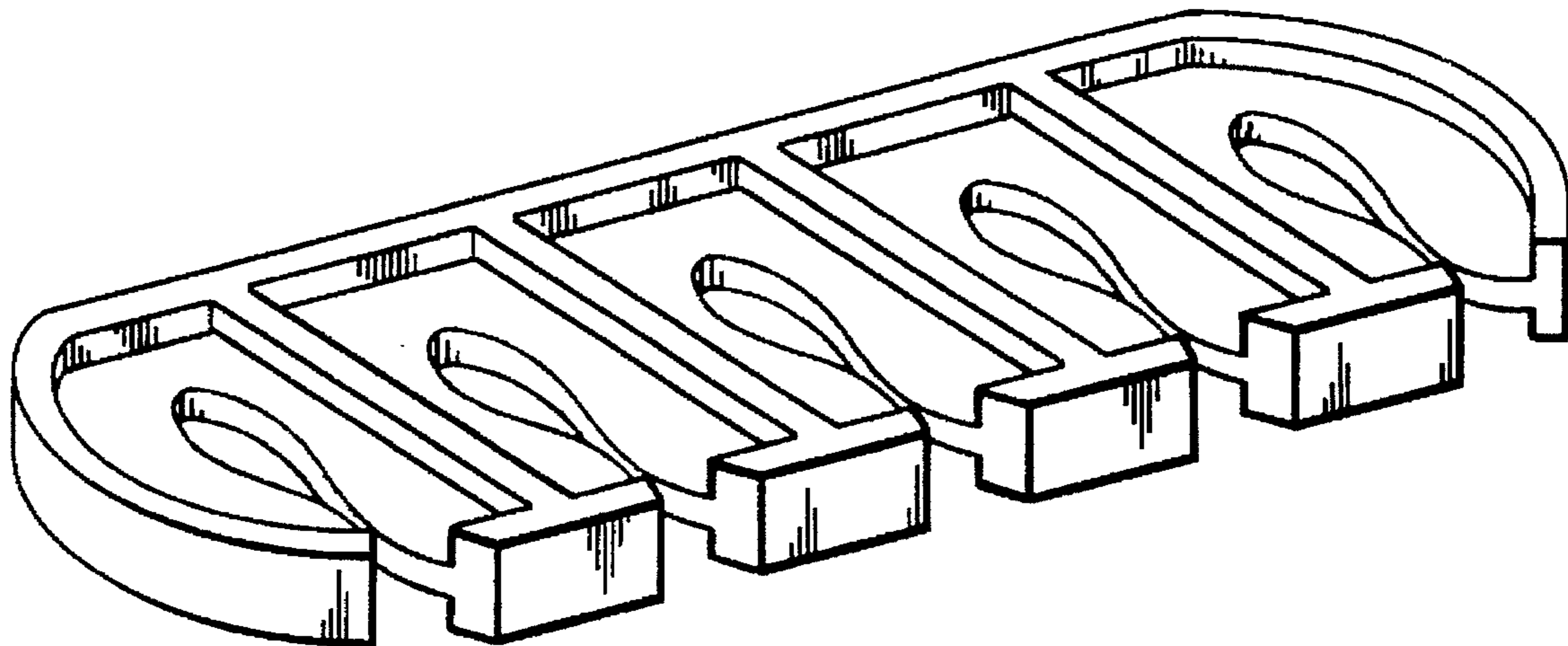
FIG. 9 is a perspective view of a third embodiment of FIG. 1, the opposite side being identical thereto.

[56] References Cited

U.S. PATENT DOCUMENTS

D. 263,624	3/1982	Stenzler et al.	D24/128
D. 287,916	1/1987	DelGarbino et al.	D6/567
D. 289,110	4/1987	Wagner et al.	D6/567
D. 298,355	11/1988	Young	D24/53
D. 354,874	1/1995	Burch	D6/567
4,654,026	3/1987	Underwood	604/80

1 Claim, 1 Drawing Sheet



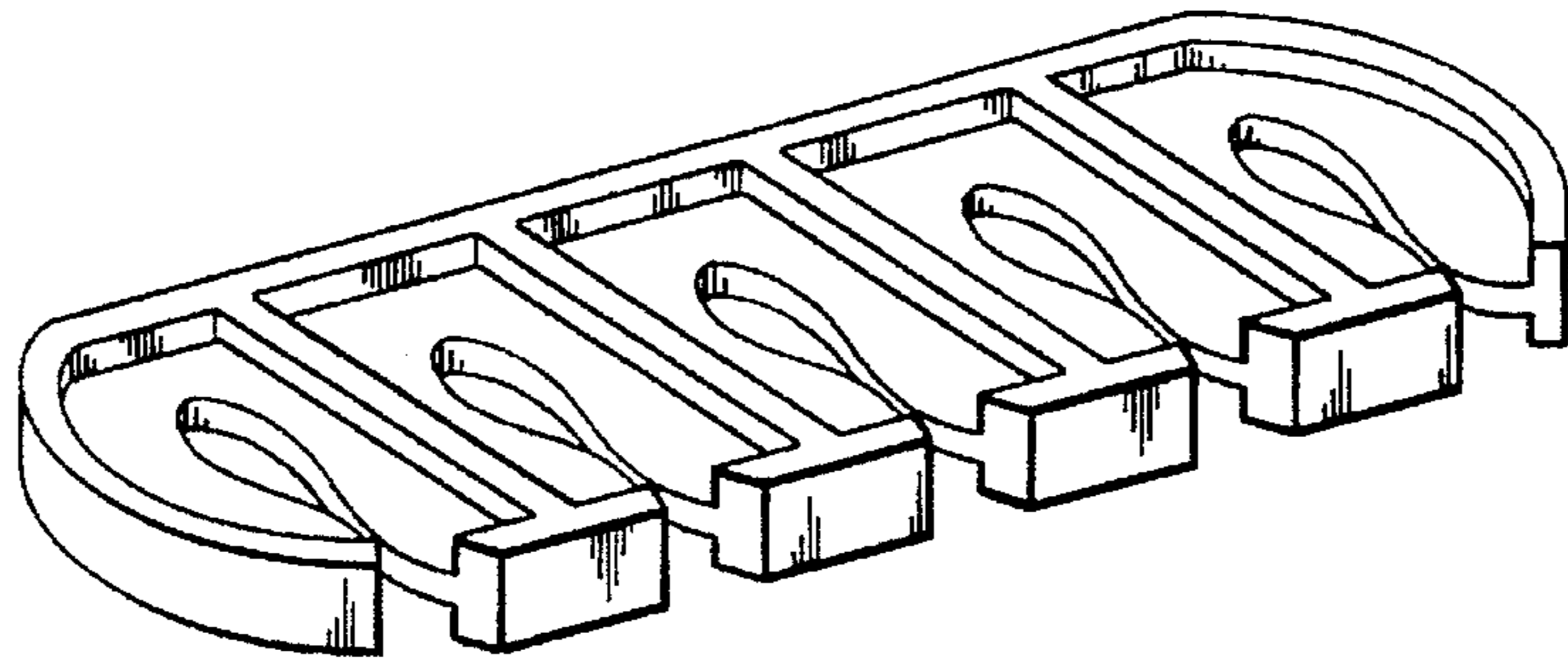


Fig. 1.

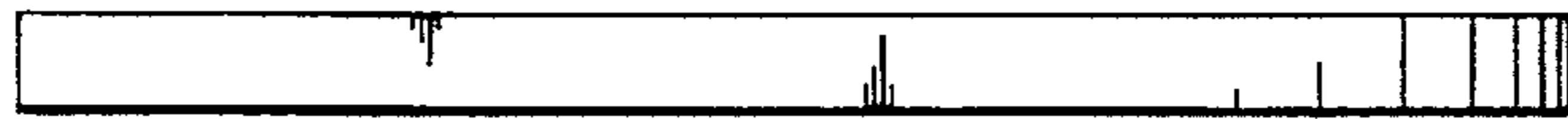


Fig. 2.

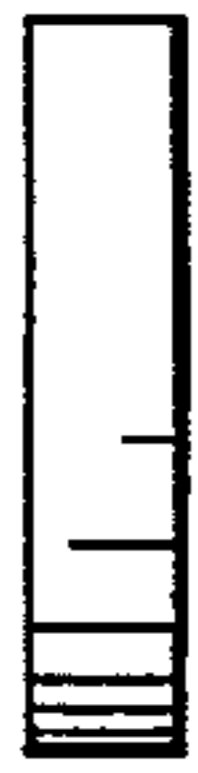


Fig. 3.

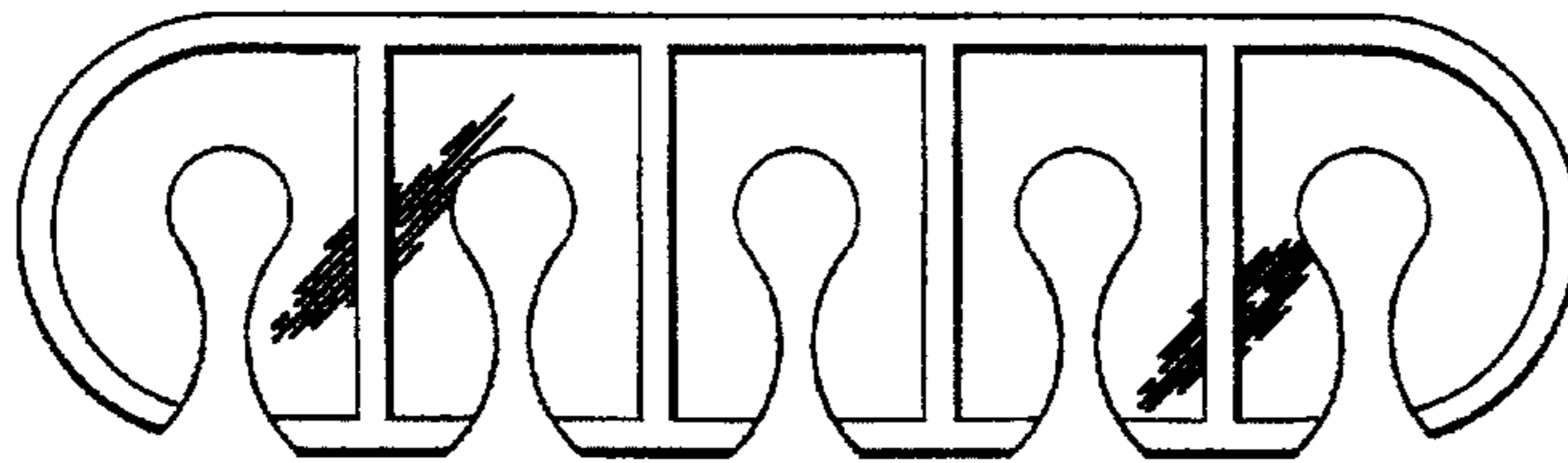


Fig. 4.



Fig. 5.



Fig. 6.

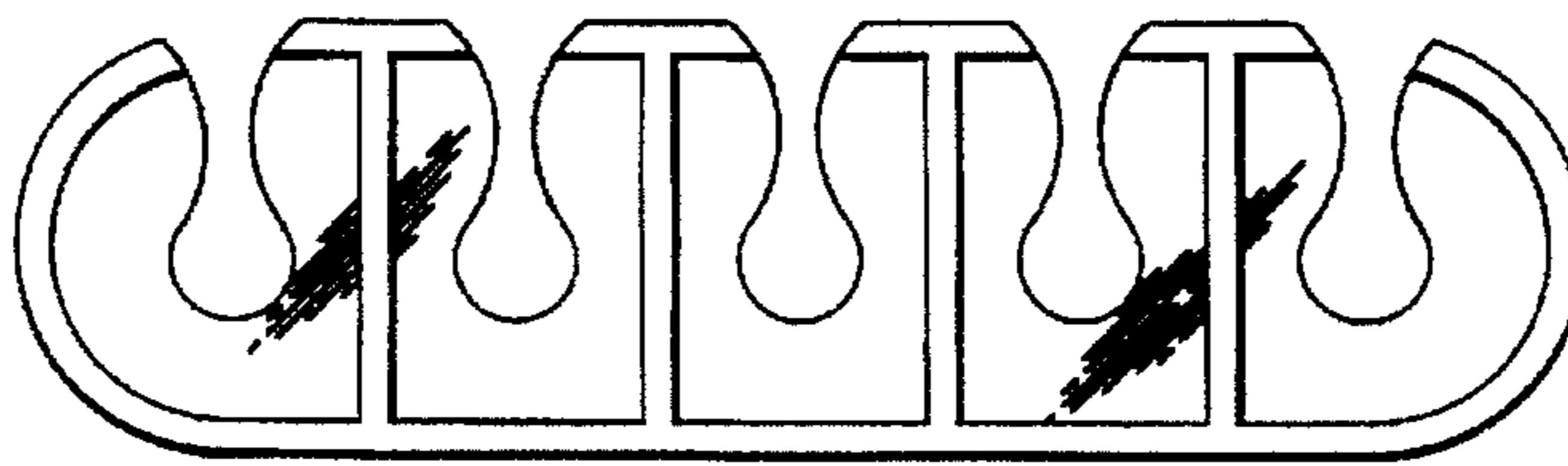


Fig. 7.

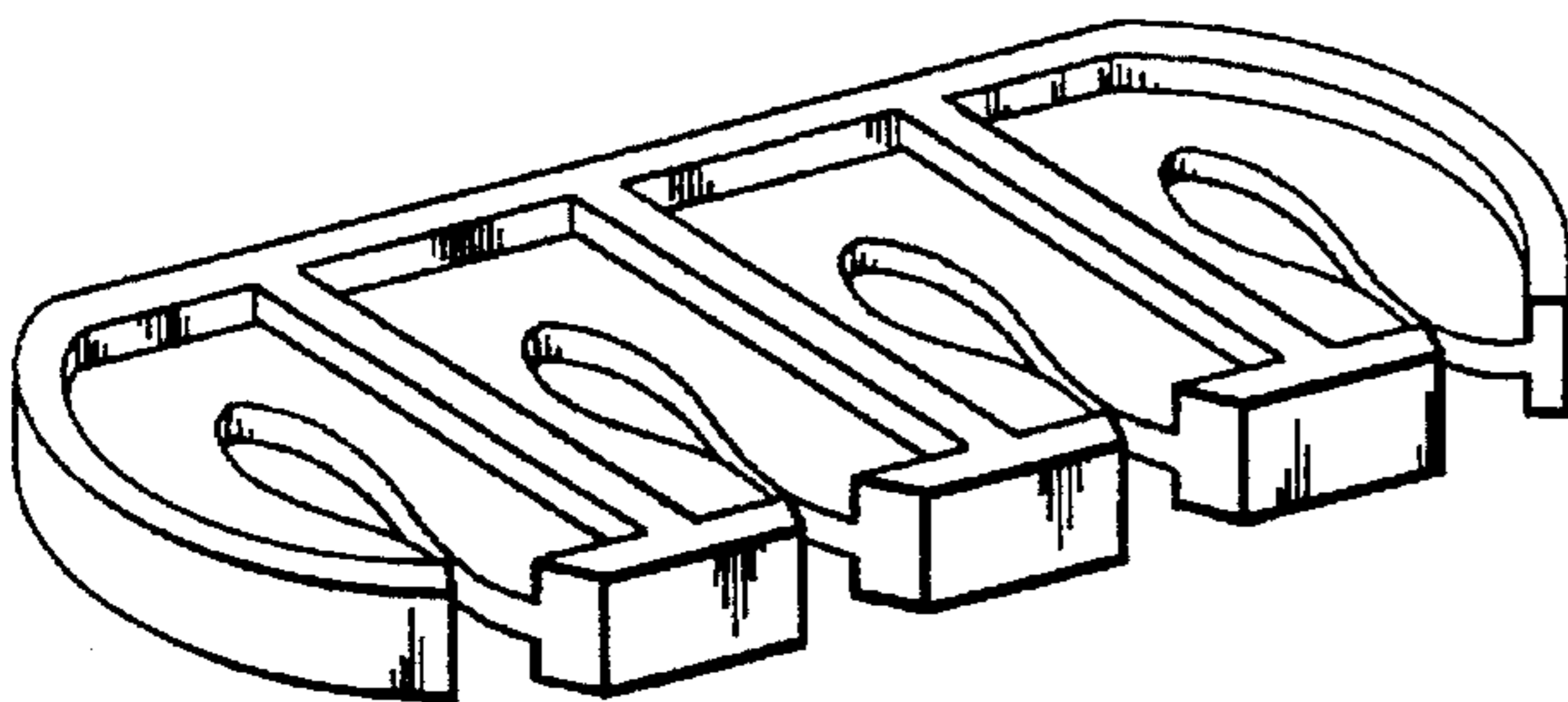


Fig. 8.

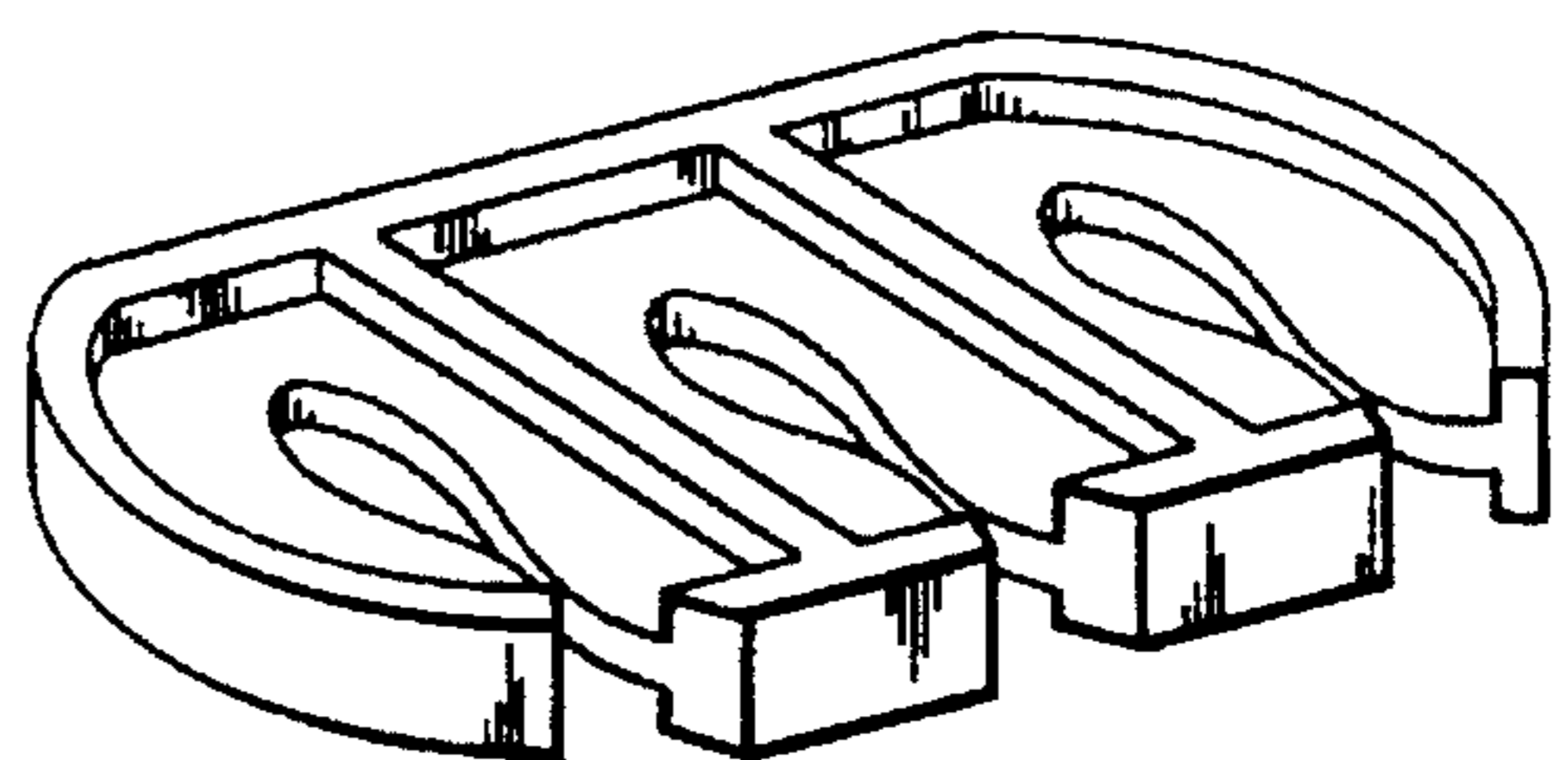


Fig. 9.