



US00D379501S

United States Patent [19]

Airosa et al.

[11] Patent Number: **Des. 379,501**

[45] Date of Patent: ****May 27, 1997**

[54] **STOVE EXHAUST VENT**

[76] Inventors: **Frank Airosa**, 1151 Richard Smith,
Tulare, Calif. 93274; **Steve Rinker**,
3724 Verde Vista, Visalia, Calif. 93277

[**] Term: **14 Years**

[21] Appl. No.: **40,599**

[22] Filed: **Jun. 22, 1995**

[51] **LOC (6) Cl.** **23-04**

[52] **U.S. Cl.** **D23/372; D7/402; D23/372;**
D23/393

[58] **Field of Search** **D23/370, 371,**
D23/372, 393, 387; D7/402; 126/299 D;
454/67, 344

[56] **References Cited**

U.S. PATENT DOCUMENTS

4,235,220 11/1980 Hepner 126/299 D
4,250,870 2/1981 Kuechler 126/299 D

Primary Examiner—Lisa P. Lichtenstein
Attorney, Agent, or Firm—Harpman & Harpman

[57] **CLAIM**

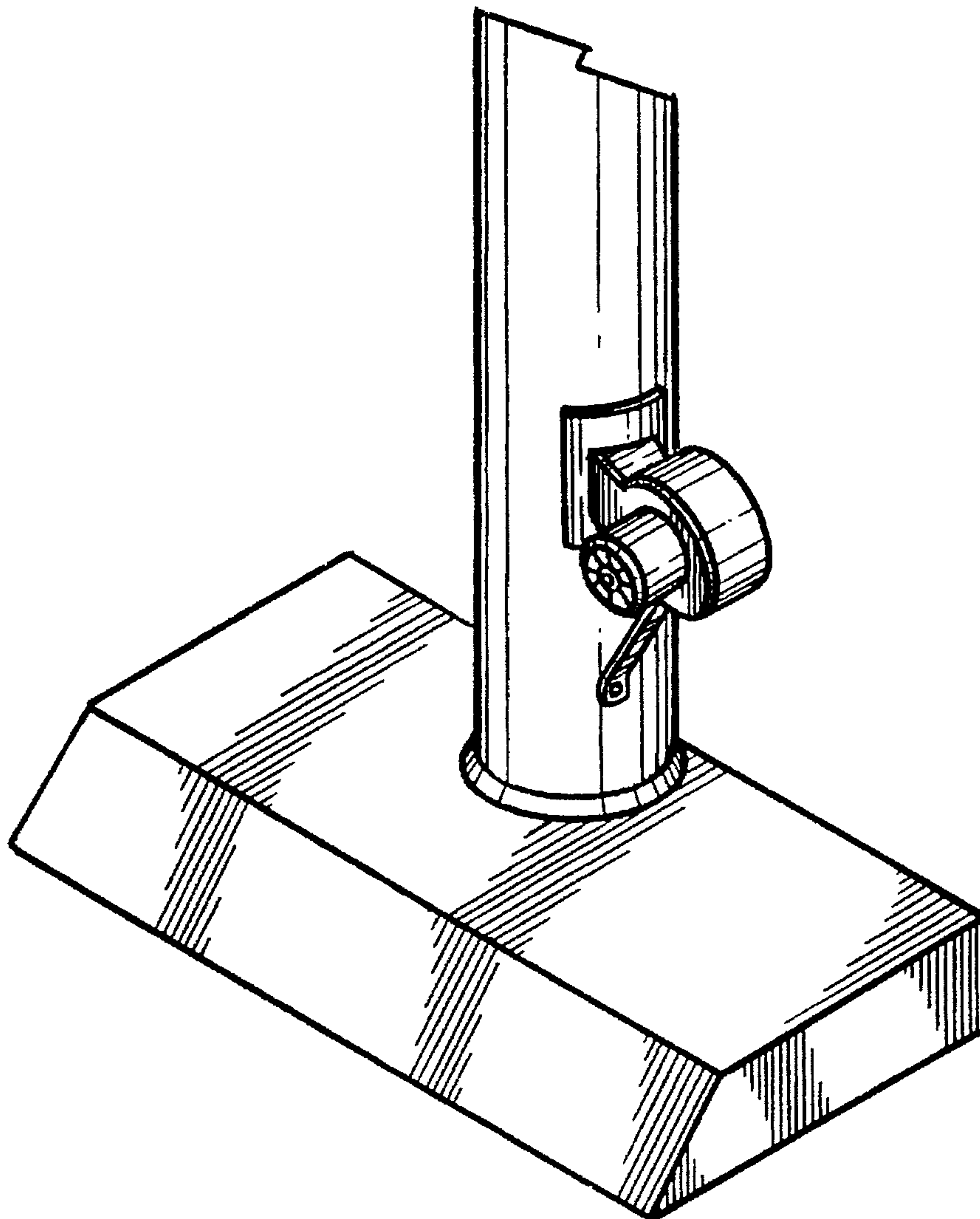
The ornamental design for a stove exhaust vent, as shown and described.

DESCRIPTION

FIG. 1 is a front, top and side perspective view of the stove exhaust vent embodying the design of the present invention; FIG. 2 is a front elevational view thereof; FIG. 3 is a rear elevational view thereof; FIG. 4 is a right side elevational view thereof; FIG. 5 is a left side elevational view thereof; FIG. 6 is a top plan view thereof; and, FIG. 7 is a bottom plan view thereof.

The top of the vent has been shown broken away to indicate indeterminate length.

1 Claim, 4 Drawing Sheets



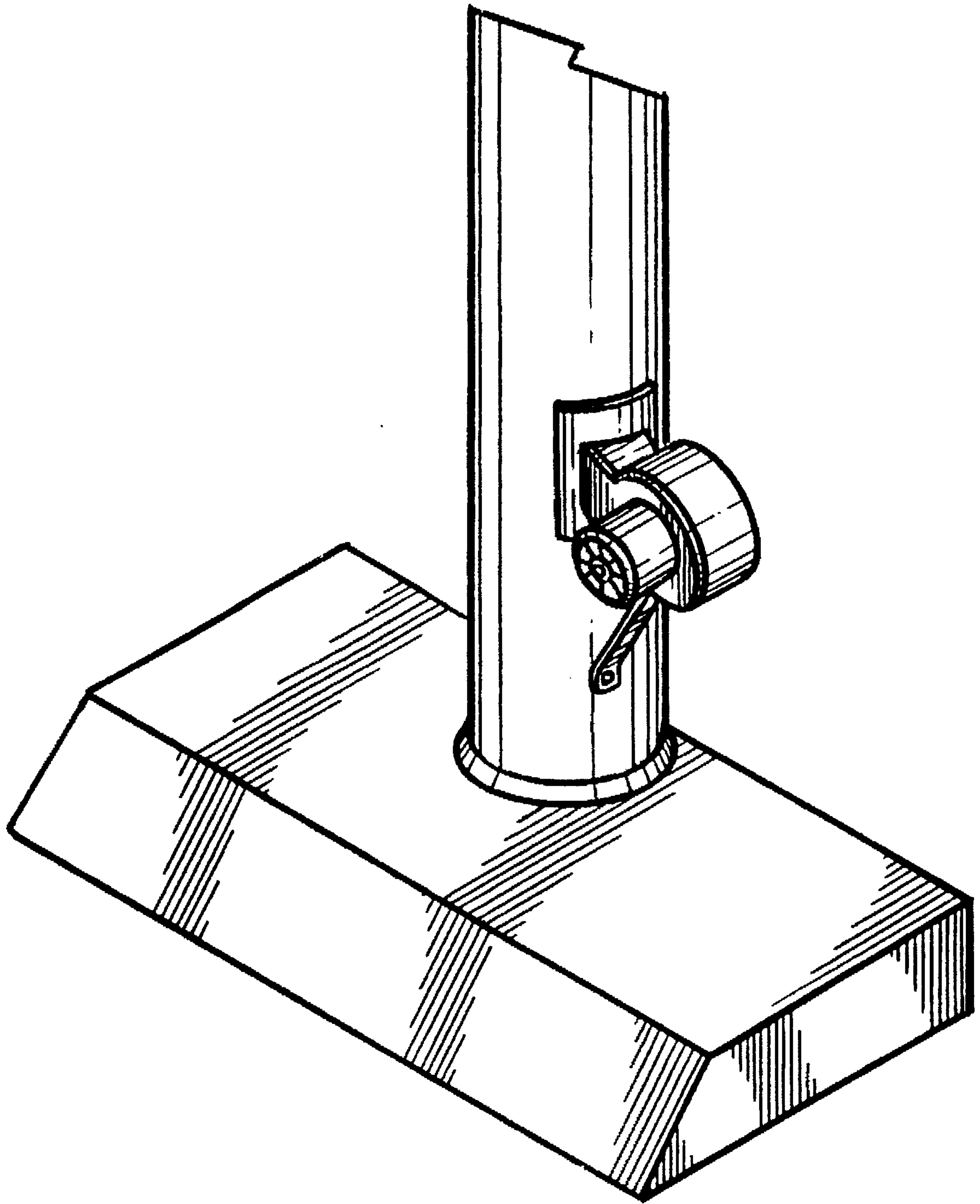


FIG.1.

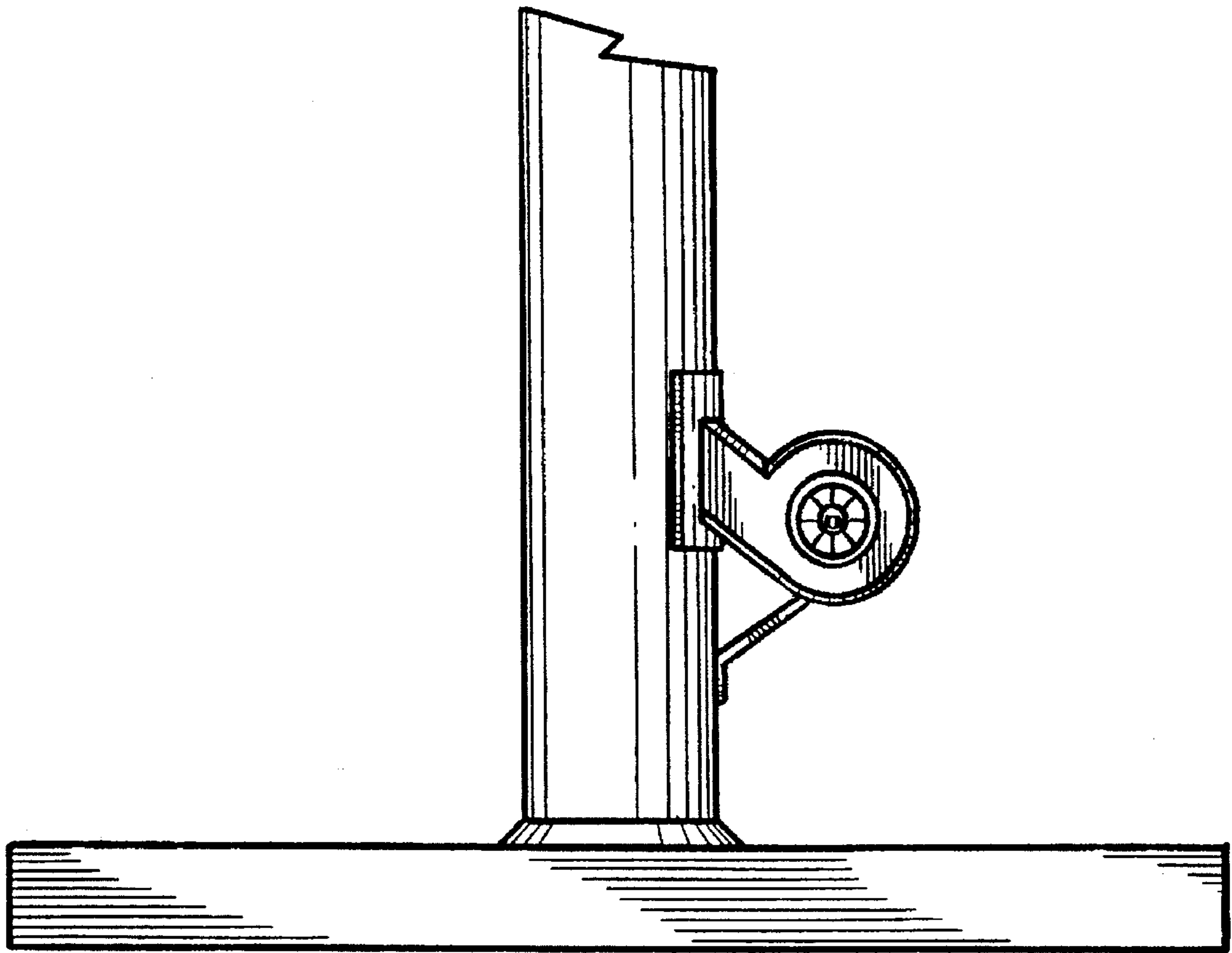


FIG. 2.

FIG. 6.

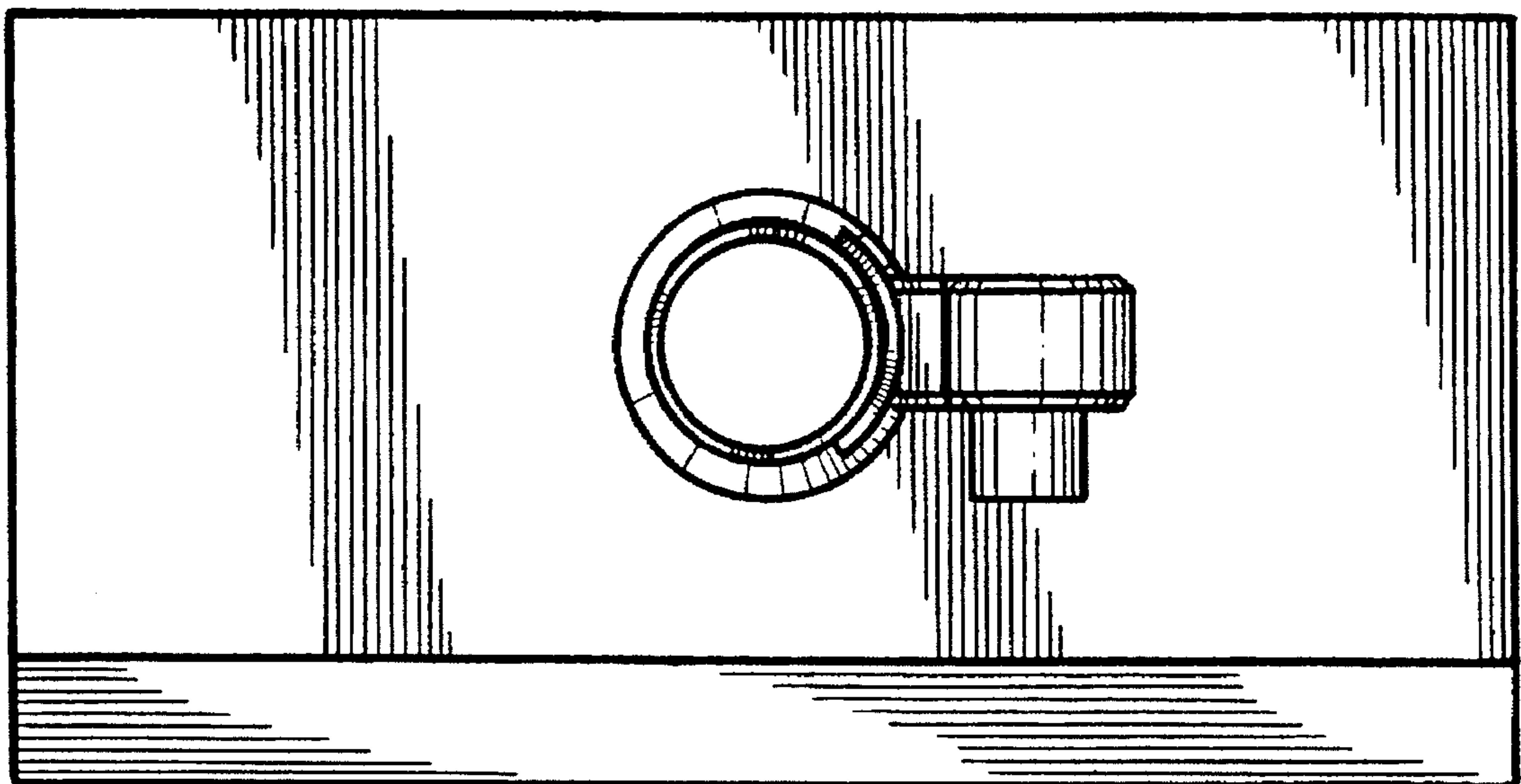


FIG. 4.

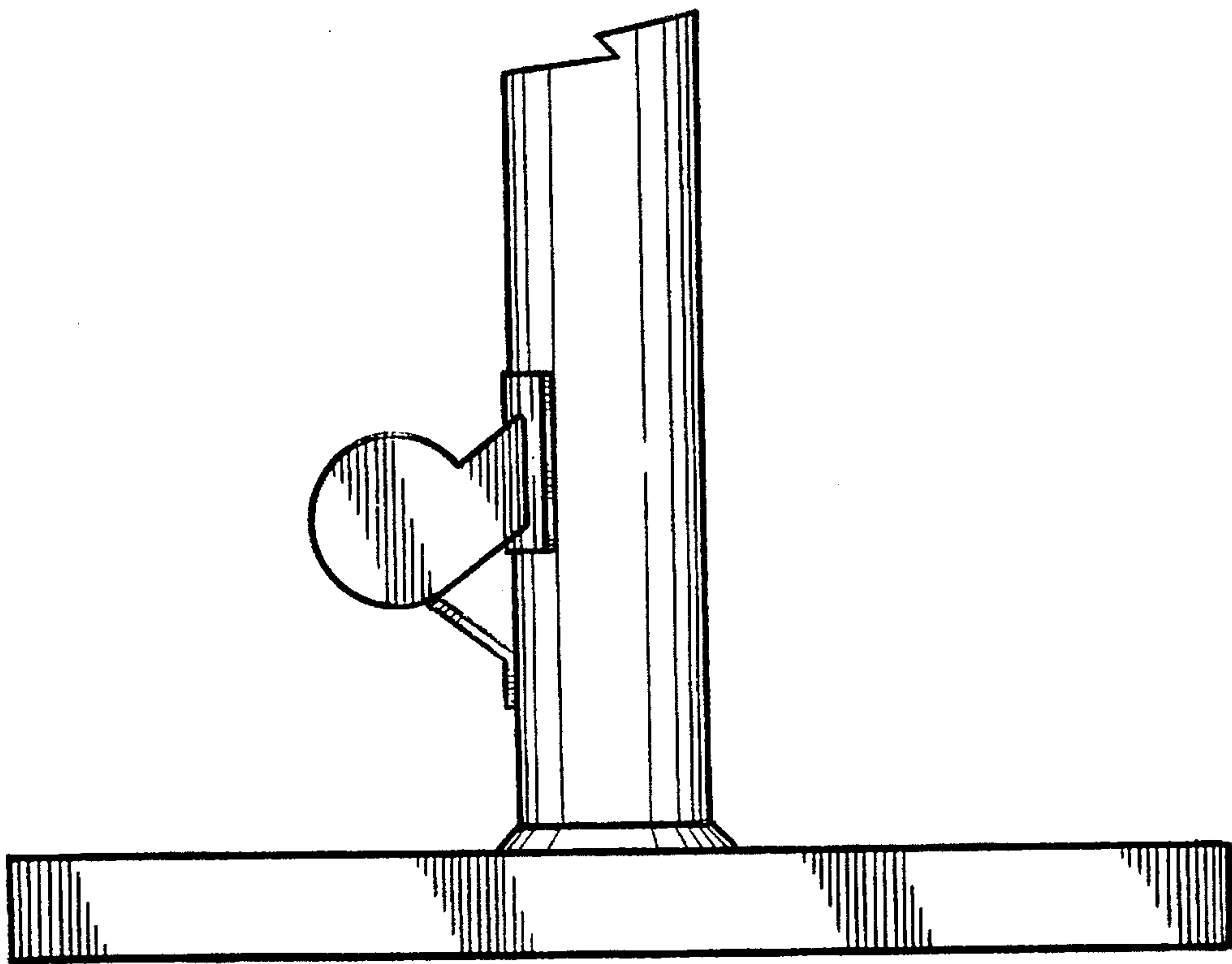
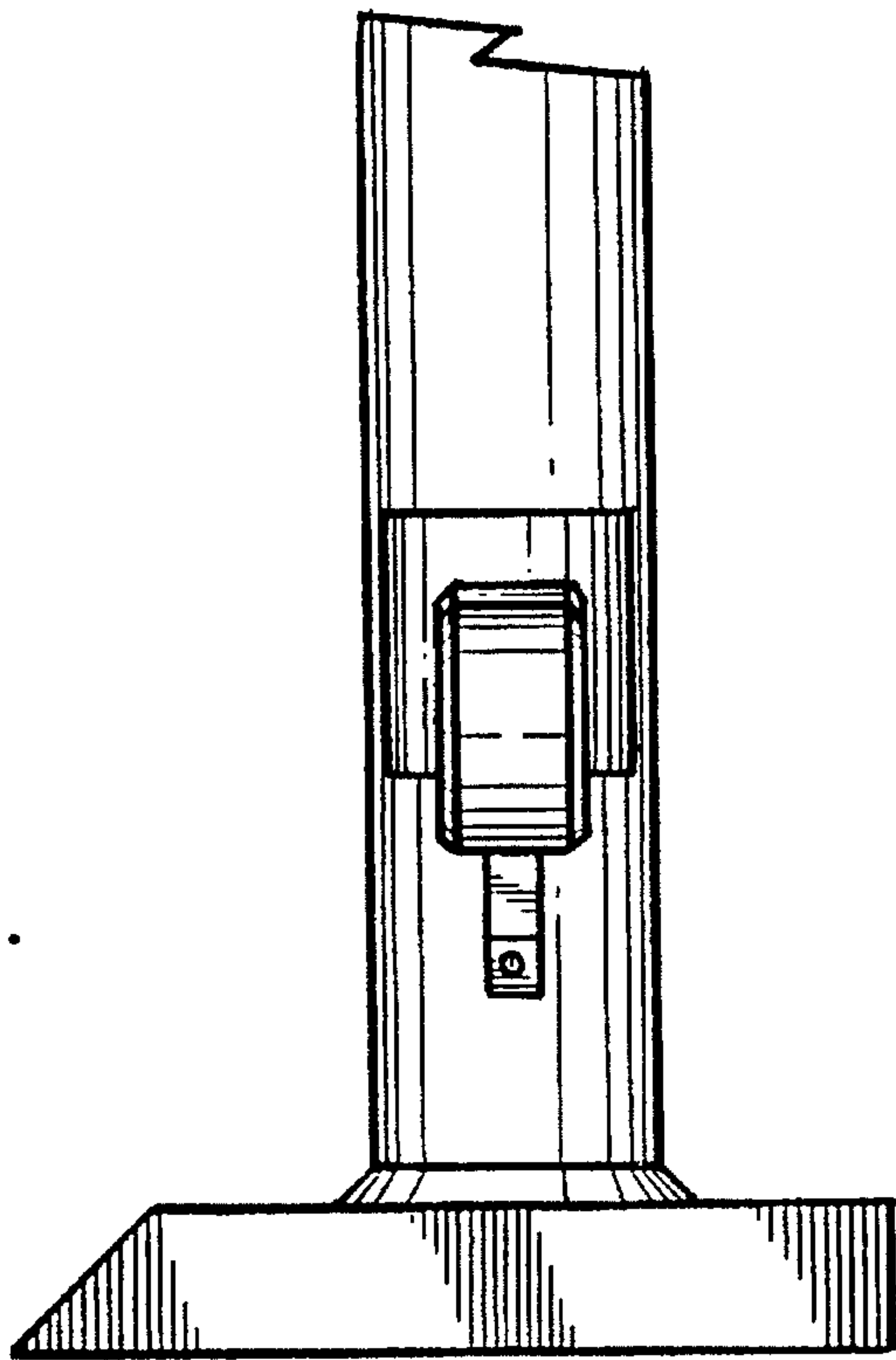


FIG. 3.

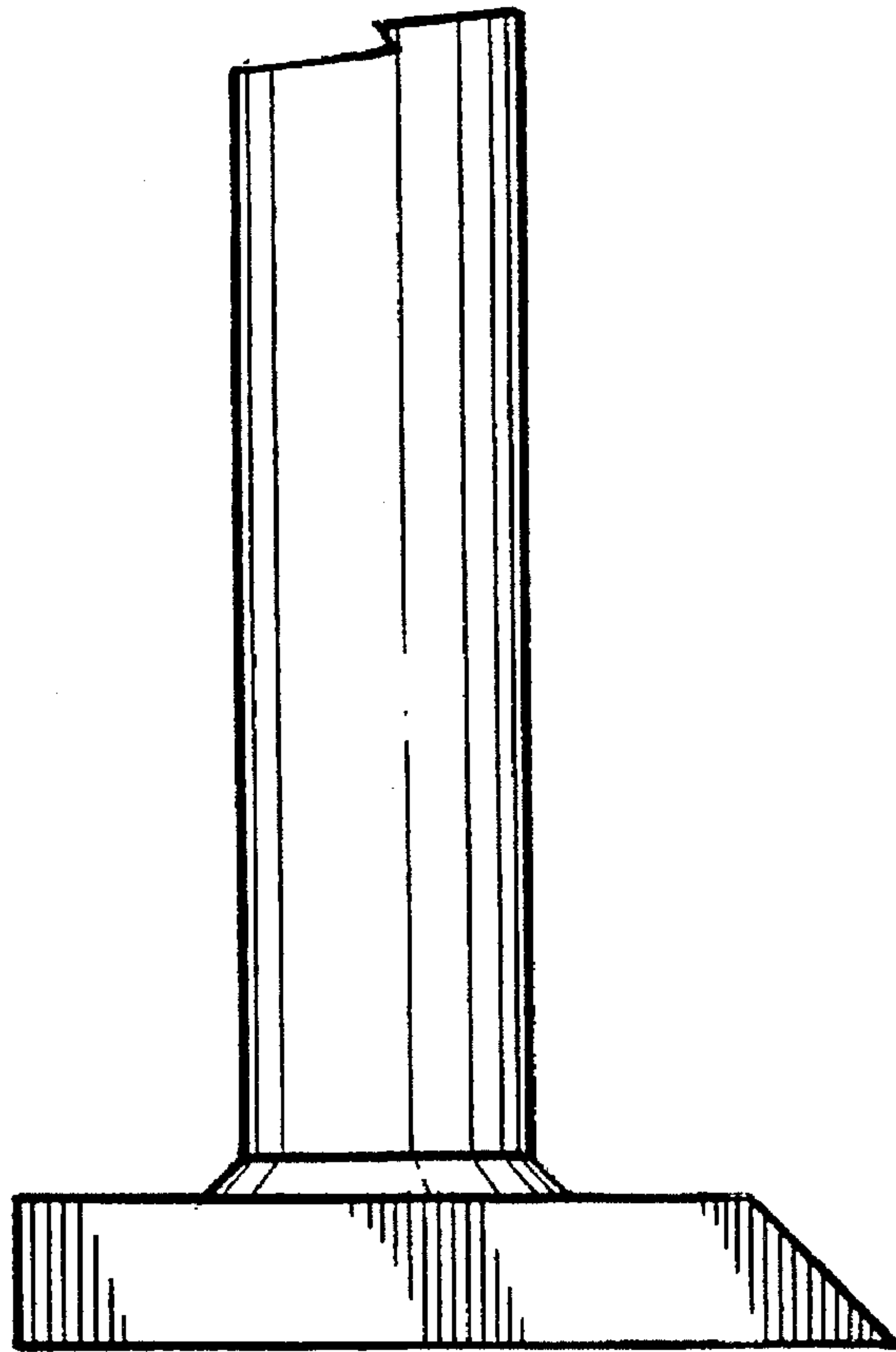


FIG. 5

FIG. 7.

