



US00D379497S

United States Patent [19]
Renfro et al.

[11] **Patent Number: Des. 379,497**
[45] **Date of Patent: **May 27, 1997**

[54] **TOILET SEAT HANDLE**
[76] Inventors: **Jeff S. Renfro**, P.O. Box 3863,
Thousand Oaks, Calif. 91359; **Paul
Thomas**, 2468 Evergreen Ave., Salt
Lake City, Utah 84109
[**] Term: **14 Years**
[21] Appl. No.: **53,245**
[22] Filed: **Apr. 18, 1996**
[51] **LOC (6) Cl. 23-02**
[52] **U.S. Cl. D23/309; D8/307**
[58] **Field of Search D23/303, 309,
D23/311; D8/300, 307; 4/246.1, 246.3,
661**

3,783,455 1/1974 Vanderbrook .
3,935,601 2/1976 Hermann .
3,982,288 9/1976 Borne .
4,129,907 12/1978 Vaughan et al. .
4,413,364 11/1983 Bittaker et al. .
4,574,401 3/1986 Nakajima .
4,733,419 3/1988 Nee .
4,742,582 5/1988 Giallourakis .
4,805,246 2/1989 De Vargas et al. .
4,843,656 7/1989 Forman .
4,850,062 7/1989 Gibson .
4,920,586 5/1990 Giallourakis .
4,951,324 8/1990 Lirette .
4,979,238 12/1990 Clark .
5,003,648 4/1991 Anderson .
5,027,472 7/1991 Goodman .
5,058,215 10/1991 Sims .
5,276,595 1/1994 Patie .
5,341,519 8/1994 Cusenza .

[56] **References Cited**

U.S. PATENT DOCUMENTS

D. 245,095 7/1977 Murray .
D. 296,658 7/1988 Mead et al. .
D. 309,091 7/1990 Shepard .
D. 325,331 4/1992 Oastod D8/307
D. 326,599 6/1992 Callahon D8/307
D. 329,186 9/1992 Serensen D8/307
D. 351,777 10/1994 Baiardi .
D. 361,369 8/1995 Garner .
D. 363,344 10/1995 Hazard .
D. 363,976 11/1995 Vinal .
1,999,555 4/1935 Adams .
2,758,315 8/1956 Hylton .
3,191,193 6/1965 Bogenberger .
3,717,884 2/1973 Mantooth .

Primary Examiner—Stella Reid
Assistant Examiner—E. Watterson
Attorney, Agent, or Firm—Thorpe, North & Western

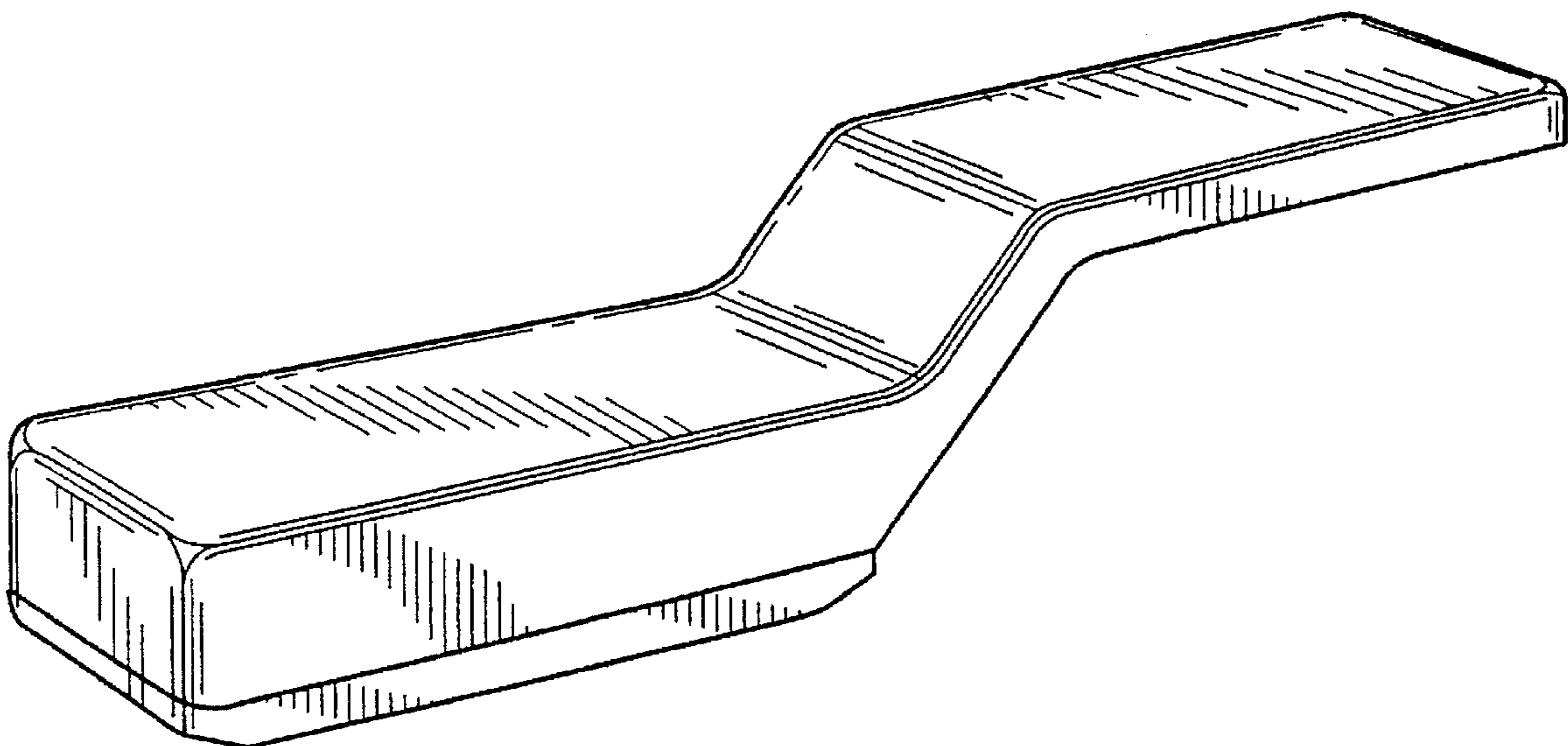
[57] **CLAIM**

The ornamental design for a toilet seat handle, as shown and described.

DESCRIPTION

FIG. 1 is a perspective view of a toilet seat handle showing our new design;
FIG. 2 is a side view, the opposite side being a mirror image thereof;
FIG. 3 is an end view from right side of FIG. 1;
FIG. 4 is an end view from left side of FIG. 1; and,
FIG. 5 is a bottom view.

1 Claim, 2 Drawing Sheets



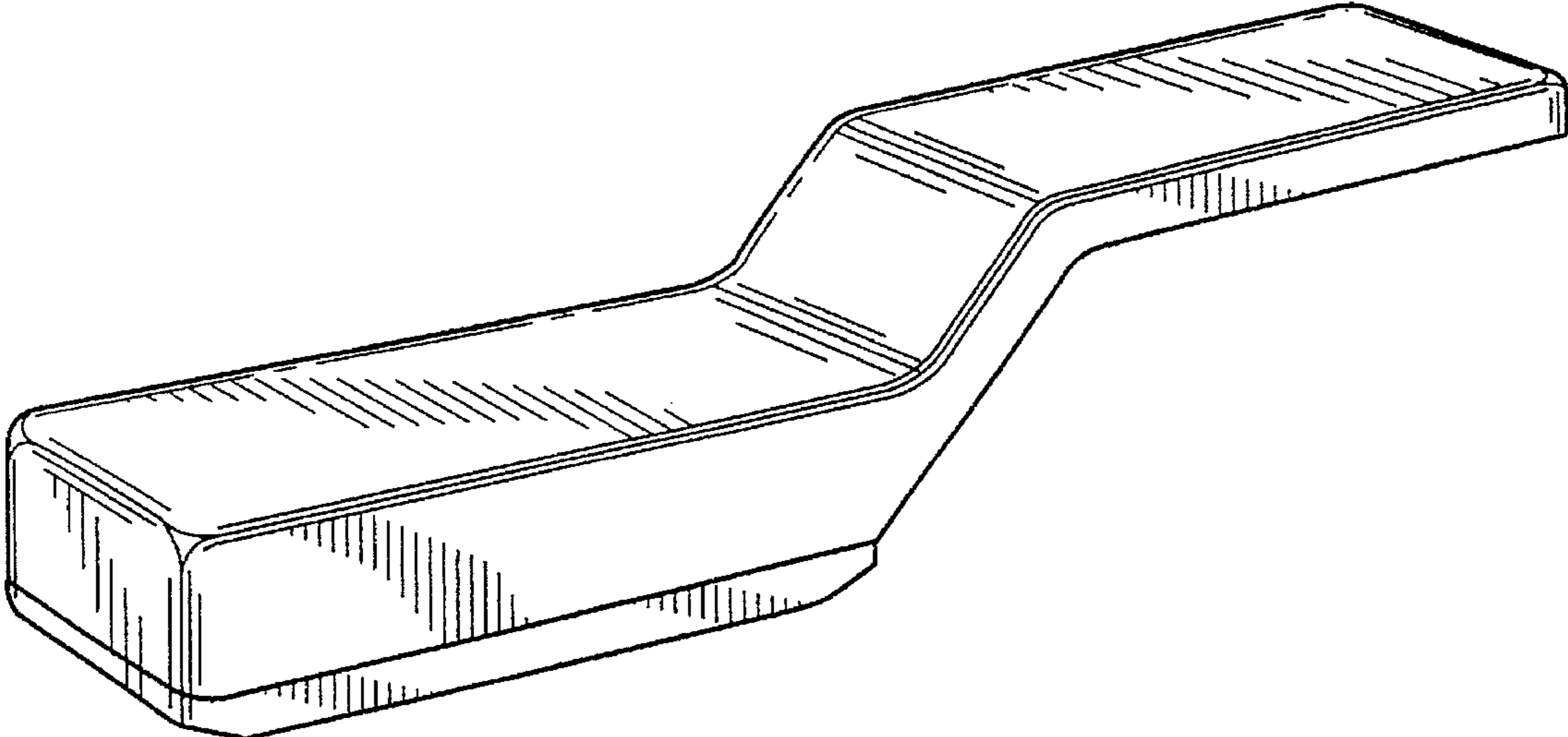


Fig. 1

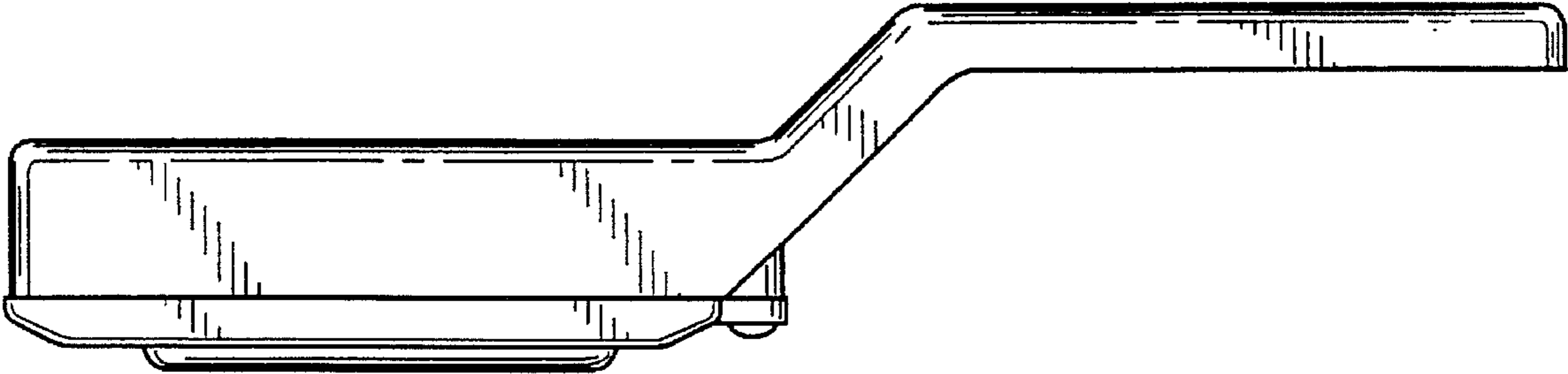


Fig. 2

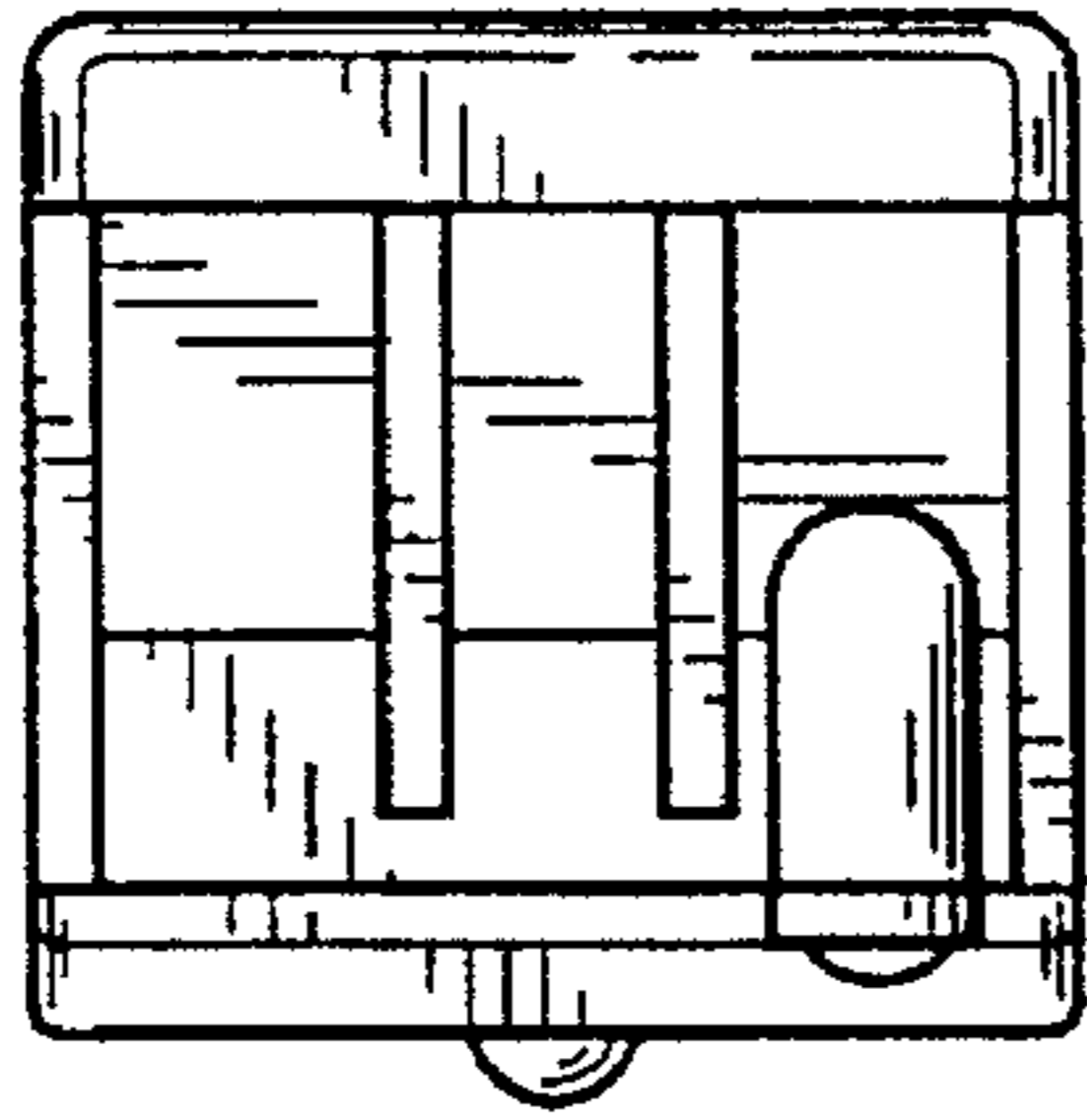


Fig. 3

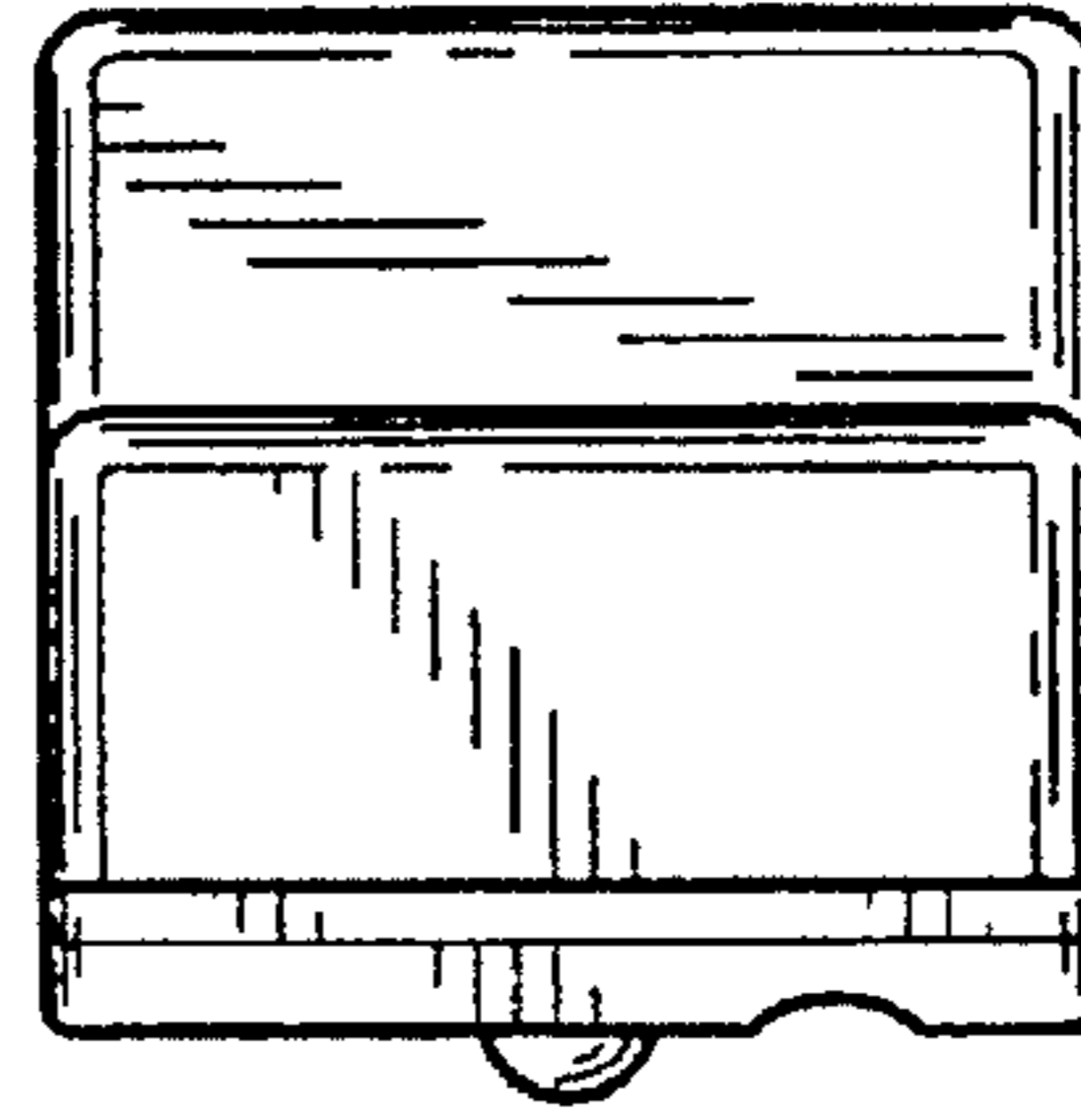


Fig. 4

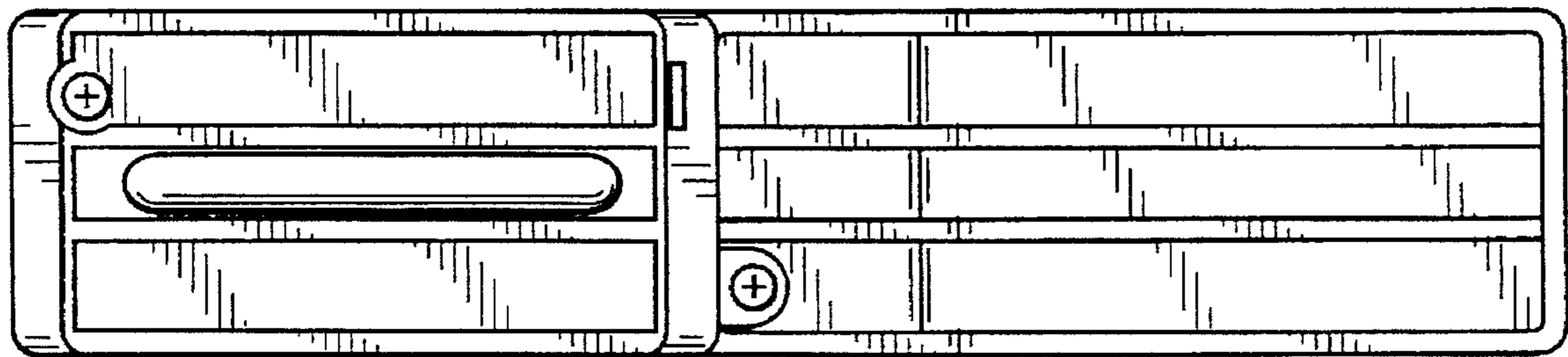


Fig. 5