



US00D379495S

United States Patent [19]

[11] Patent Number: Des. 379,495

Sidman et al.

[45] Date of Patent: **May 27, 1997

[54] **TOILET TRAINER**

[75] Inventors: **Ronald J. Sidman**, Marstons Mills;
Ralph M. Nowak, Marblehead, both of
Mass.

[73] Assignee: **The First Years Inc.**, Avon, Mass.

[**] Term: **14 Years**

[21] Appl. No.: **44,736**

[22] Filed: **Sep. 20, 1995**

Related U.S. Application Data

[63] Continuation of Ser. No. 32,362, Dec. 16, 1994, abandoned.

[51] **LOC (6) Cl.** **23-02**

[52] **U.S. Cl.** **D23/296**

[58] **Field of Search** D23/296, 297,
D23/298, 299-301; 4/235, 239, 449, 476,
477, 478, 479, 483

[56] **References Cited**

U.S. PATENT DOCUMENTS

D. 260,423	8/1981	Helkama-Rasard	D23/296
D. 308,573	6/1990	Kain et al.	D23/296
D. 345,202	3/1994	Crossley et al.	D23/296
5,363,516	11/1994	Butts	4/483

OTHER PUBLICATIONS

Safety 1st Catalog Page -date unknown Submitted Prior Art.
Sanitoy/Nursery Needs -Catalog Page -date unknown Submitted Prior Art.

Summer Infant -Catalog Page -date unknown Submitted Prior Art.

Century Products -Catalog Page -date unknown Submitted Prior Art.

Children on the Go -Catalog Page -date unknown Submitted Prior Art.

Cosco -Catalog Page -date unknown Submitted Prior Art.

The First Years/Kiddie Products -Catalog Page -date unknown Submitted Prior Art.

Fisher -Price (Mattel) -Catalog Page -date unknown Submitted Prior Art.

Gerry Baby Products -Catalog Page -date unknown Submitted Prior Art.

Primary Examiner-Doris V. Coles

Assistant Examiner-Eric Watterson

Attorney, Agent, or Firm-Fish & Richardson P.C.

[57] **CLAIM**

The ornamental design for a toilet trainer, as shown and described.

DESCRIPTION

FIG. 1 is a perspective view of a toilet trainer showing the new design;

FIG. 2 is a front elevation view thereof;

FIG. 3 is a rear elevation view thereof;

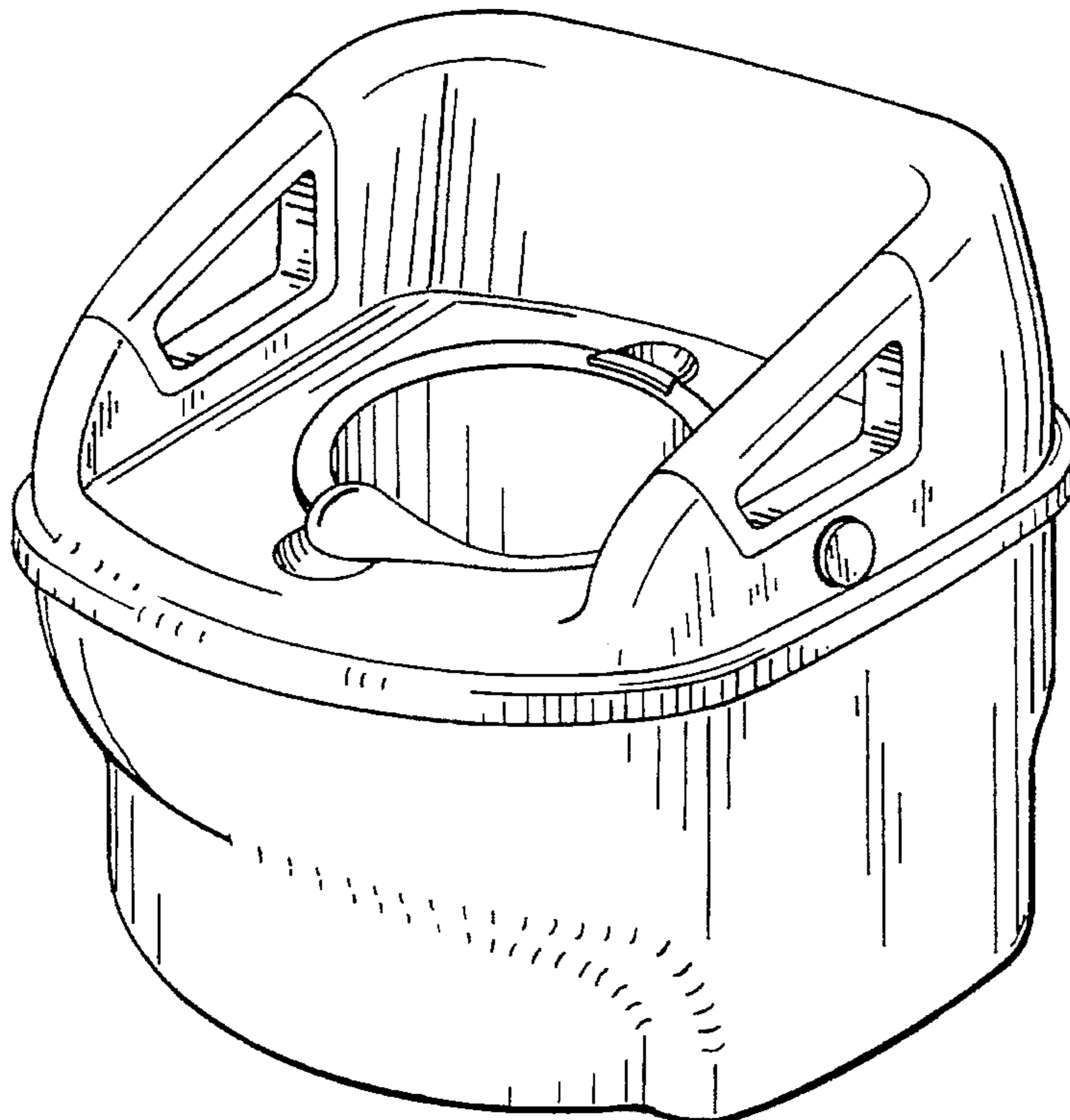
FIG. 4 is a side elevation view thereof;

FIG. 5 is a side elevation view thereof; opposite that shown in FIG. 4;

FIG. 6 is a top plan view thereof; and,

FIG. 7 is a bottom plan view thereof.

1 Claim, 4 Drawing Sheets



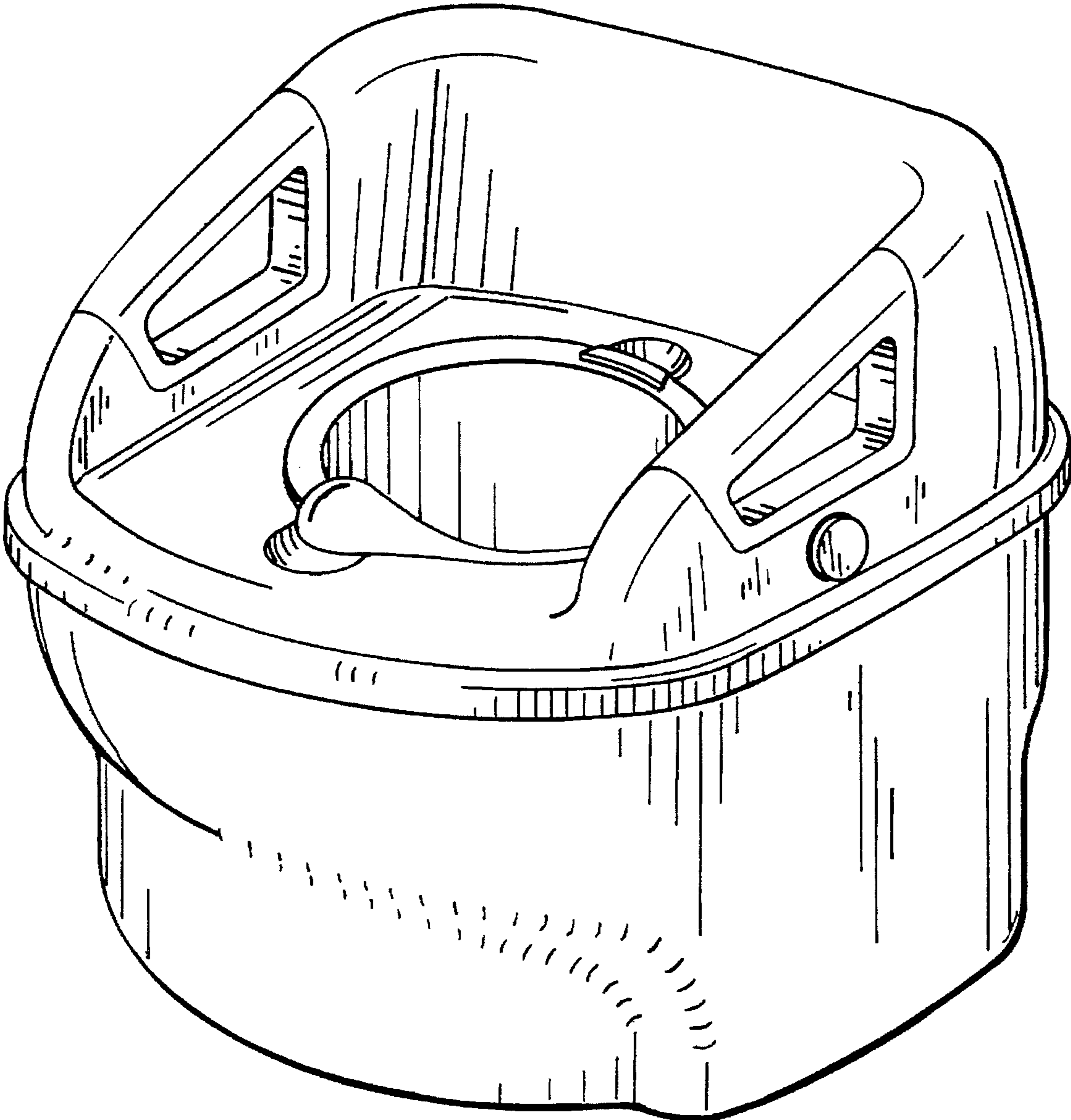


FIG. 1

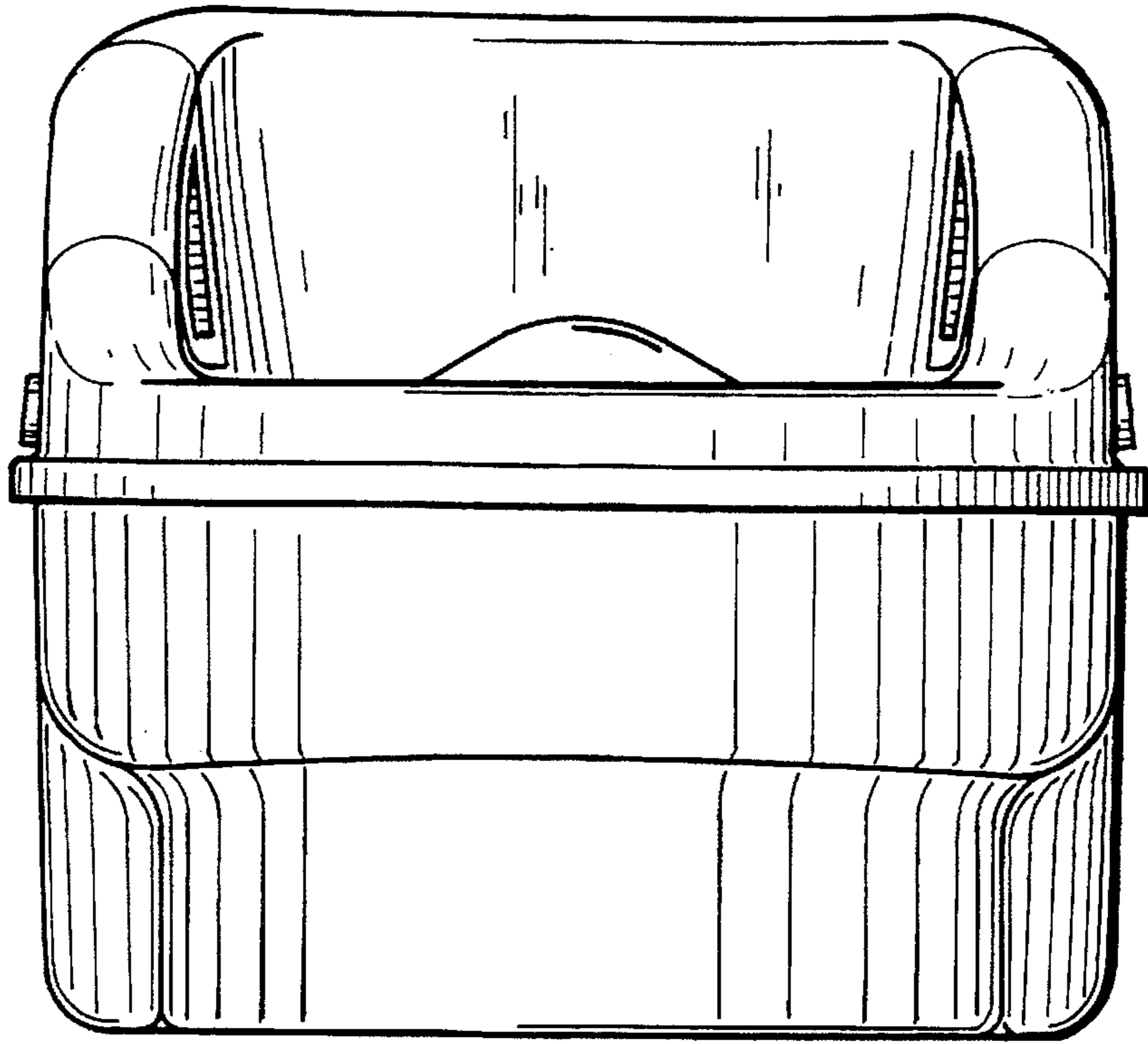


FIG. 2

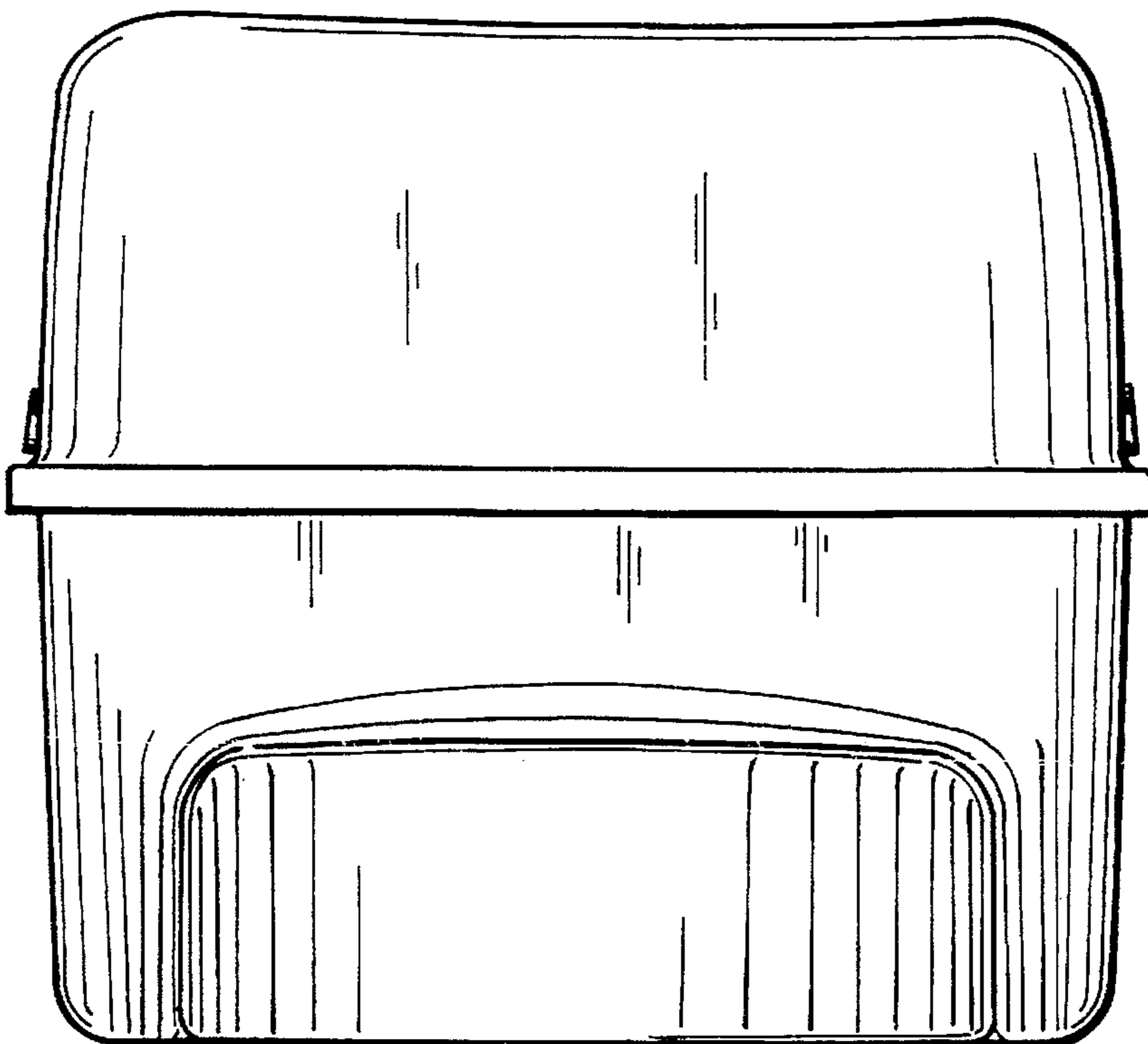


FIG. 3

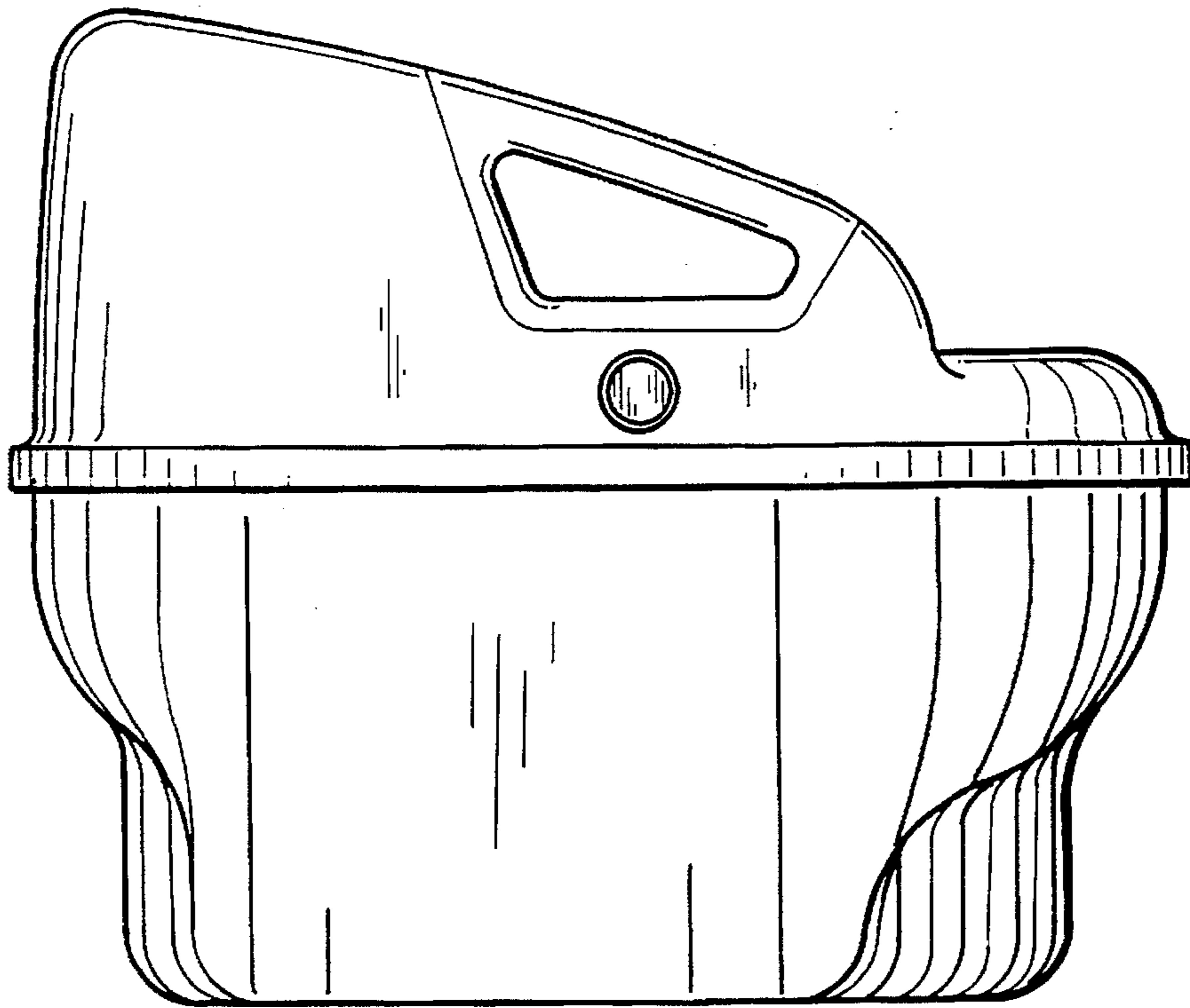


FIG. 4

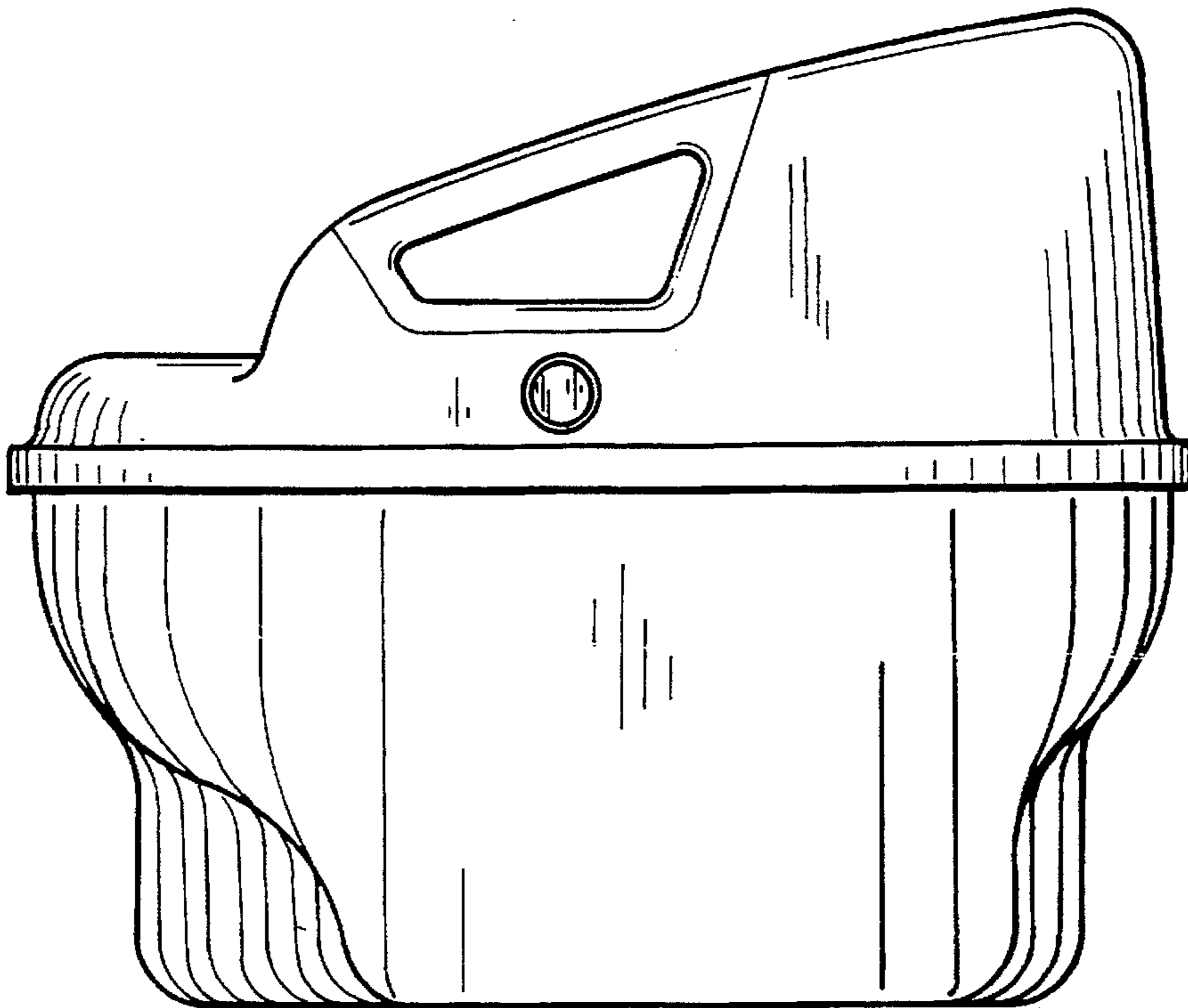


FIG. 5

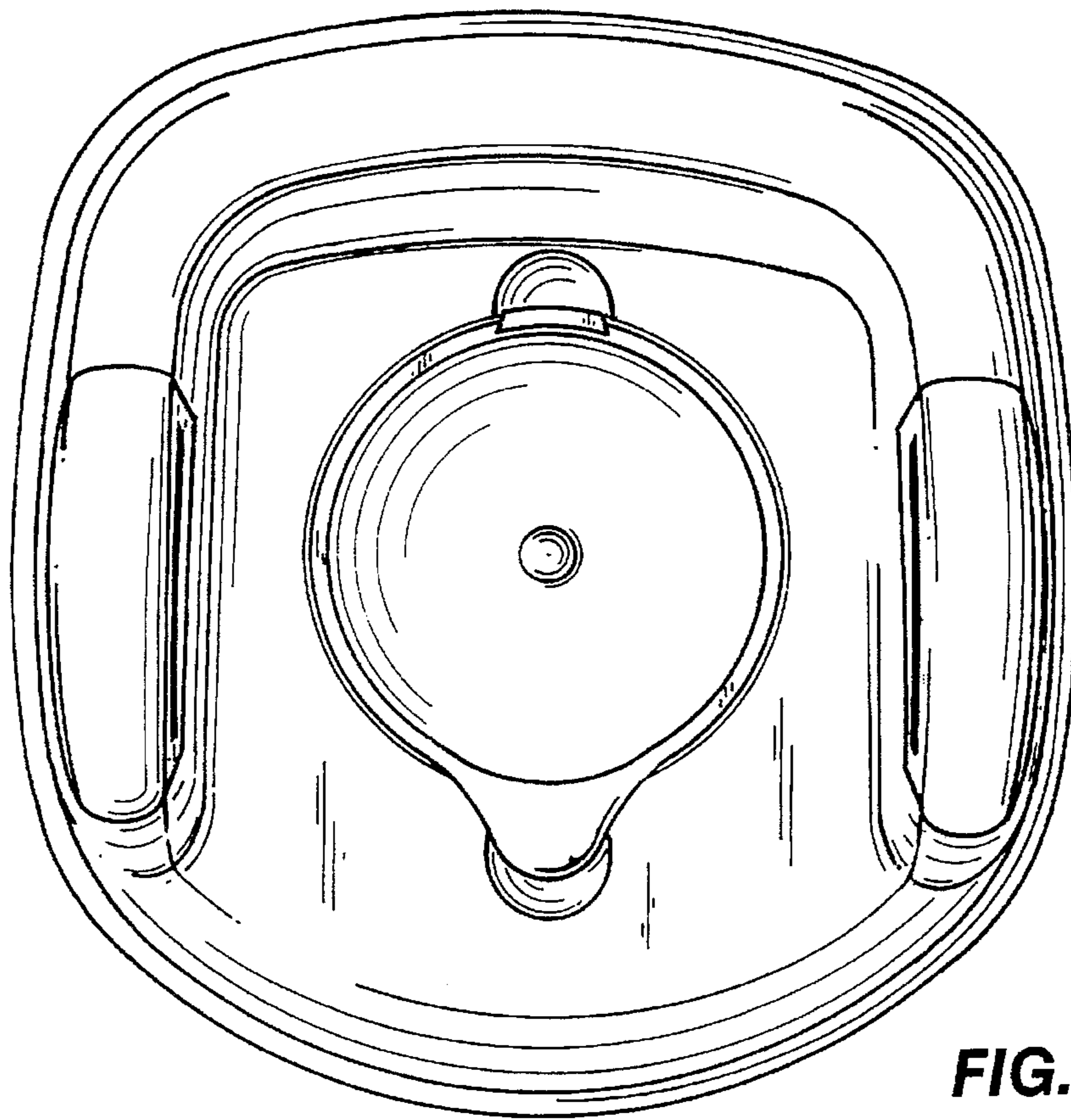


FIG. 6

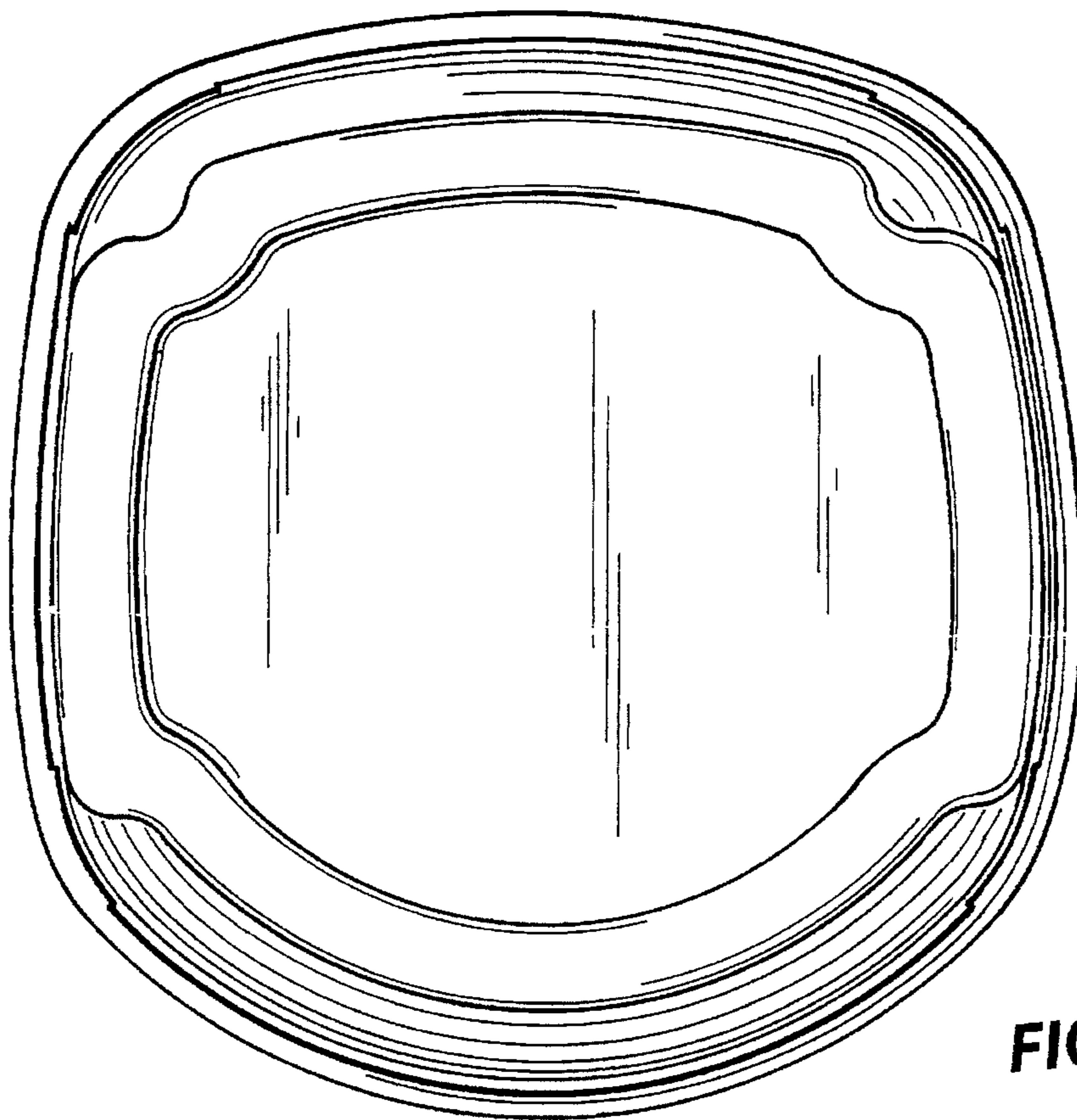


FIG. 7