



US00D379494S

# United States Patent [19]

[11] Patent Number: Des. 379,494

van den Herik et al.

[45] Date of Patent: \*\*May 27, 1997

[54] **COMBINED BABY BATH AND TRAY**

[75] Inventors: **Robert C.D. van den Herik**,  
Goudriaan; **Jan de Vries**, Hilversum,  
both of Netherlands

[73] Assignee: **Somé-vena Handelmaatschappij B.V.**,  
Netherlands

[\*\*] Term: **14 Years**

[21] Appl. No.: **43,664**

[22] Filed: **Sep. 5, 1995**

[30] **Foreign Application Priority Data**

Mar. 6, 1995 [WO] WIPO ..... DM/032362  
Jul. 21, 1995 [WO] WIPO ..... DM/033600

[51] **LOC (6) Cl.** ..... **23-02**

[52] **U.S. Cl.** ..... **D23/278**

[58] **Field of Search** ..... D23/296-301;  
4/572.1, 586, 590, 587, 588, 551

[56] **References Cited**

**U.S. PATENT DOCUMENTS**

2,581,883 1/1952 Rechler ..... 4/551  
2,765,475 10/1956 Nolan ..... 4/572.1  
3,493,976 2/1970 Baker ..... D23/278 X  
3,619,823 11/1971 Sackett ..... 4/567  
5,033,131 7/1991 Paden ..... 4/572.1

*Primary Examiner*—Louis S. Zarfaz  
*Assistant Examiner*—Eric Watterson  
*Attorney, Agent, or Firm*—Ladas & Parry

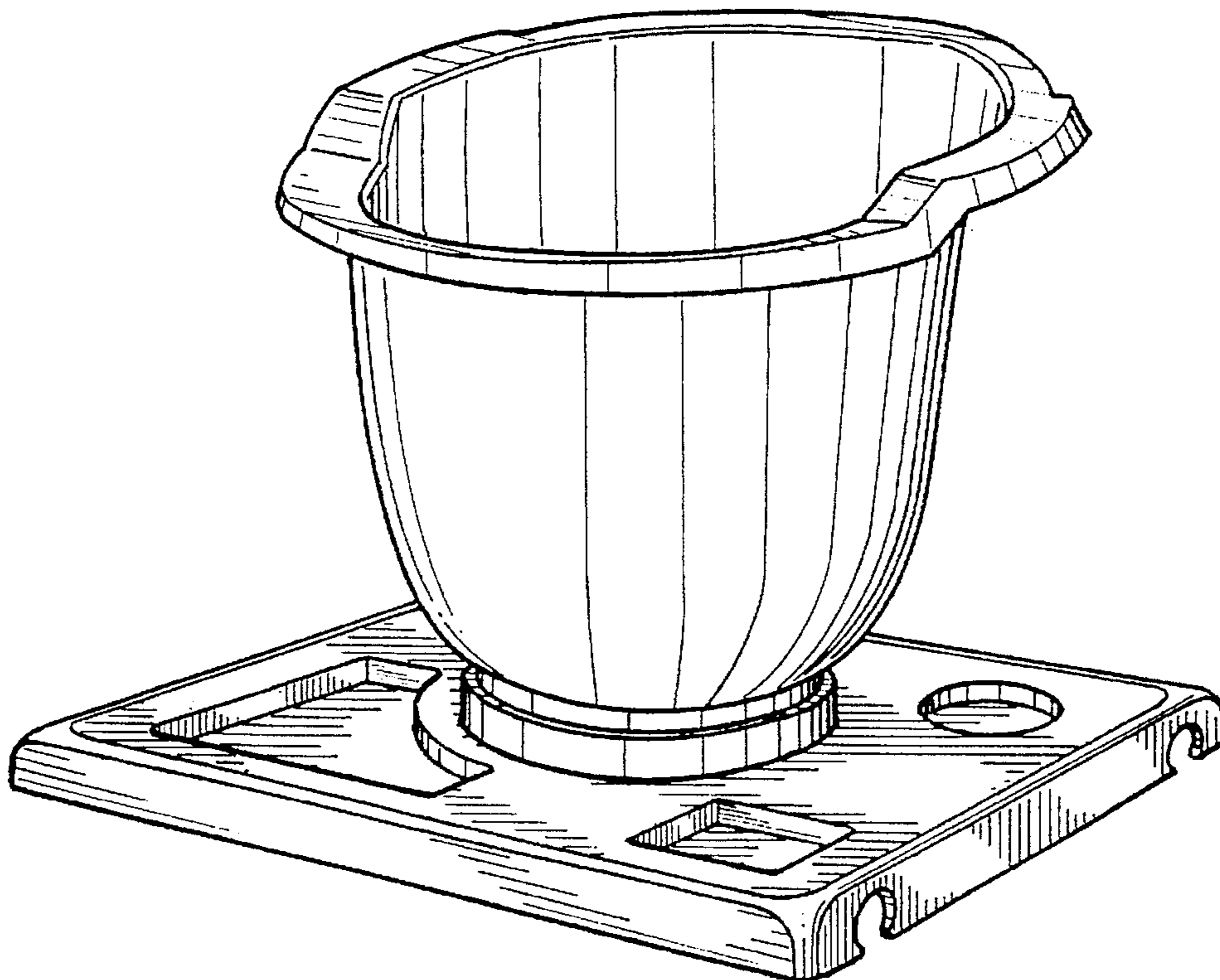
[57] **CLAIM**

The ornamental design for a combined baby bath and tray,  
as shown and described.

**DESCRIPTION**

FIG. 1 is a top perspective view of a combined baby bath and tray, showing my new design;  
FIG. 2 is a front view thereof;  
FIG. 3 is a rear view thereof;  
FIG. 4 is a side view, the opposite side being a mirror image thereof;  
FIG. 5 is a top plan view thereof;  
FIG. 6 is a bottom plan view thereof;  
FIG. 7 is a top perspective view of a the bath portion of my design;  
FIG. 8 is a front view thereof;  
FIG. 9 is a rear view thereof;  
FIG. 10 is a side view, the opposite side being a mirror image thereof;  
FIG. 11 is a top plan view thereof;  
FIG. 12 is a bottom plan view thereof;  
FIG. 13 is a top perspective view of the tray portion of my design;  
FIG. 14 is a front view, the rear being a mirror image thereof;  
FIG. 15 is a side view, the opposite side being a mirror image thereof;  
FIG. 16 is a top plan view thereof; and,  
FIG. 17 is a bottom plan view thereof.

**1 Claim, 8 Drawing Sheets**



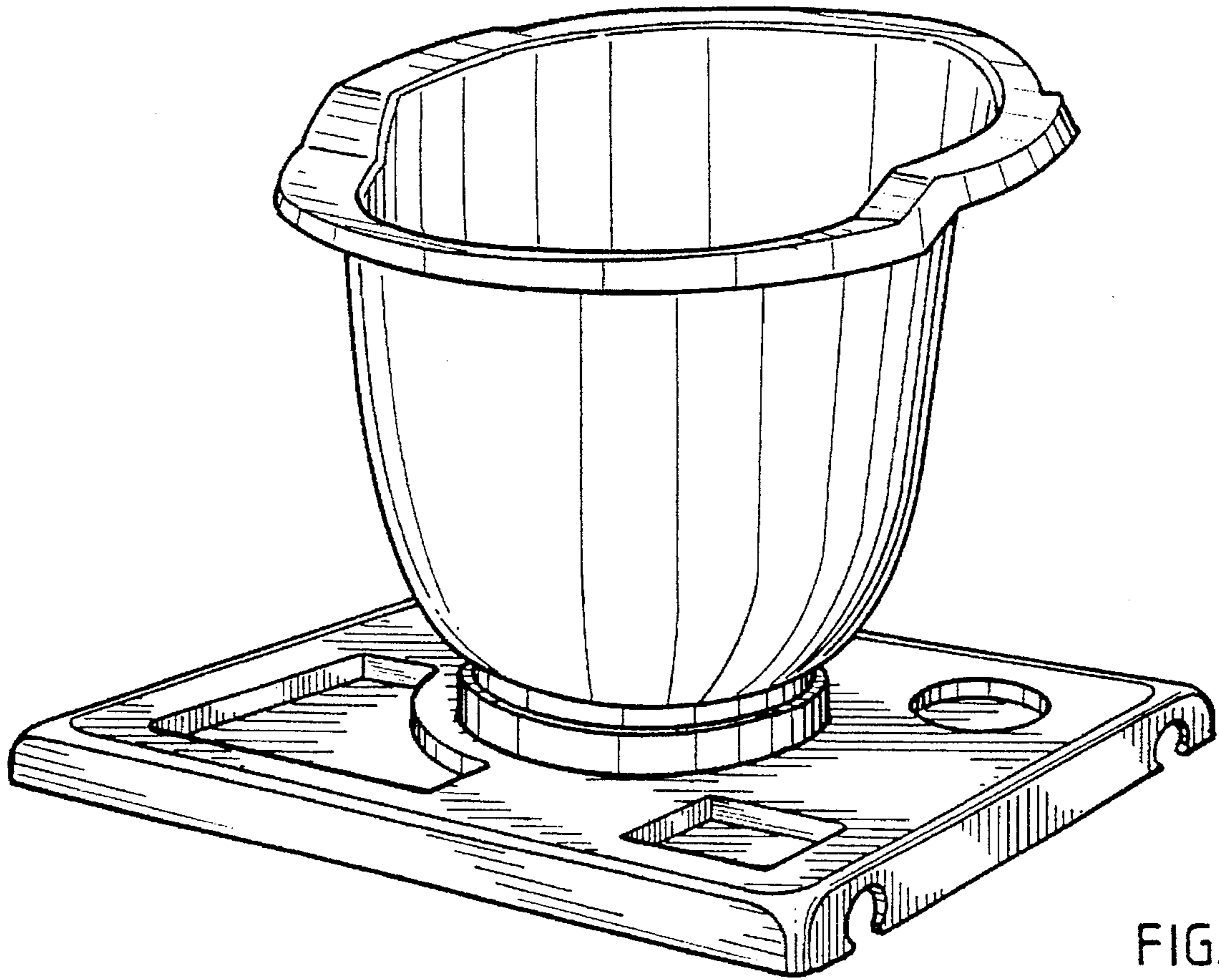


FIG. 1

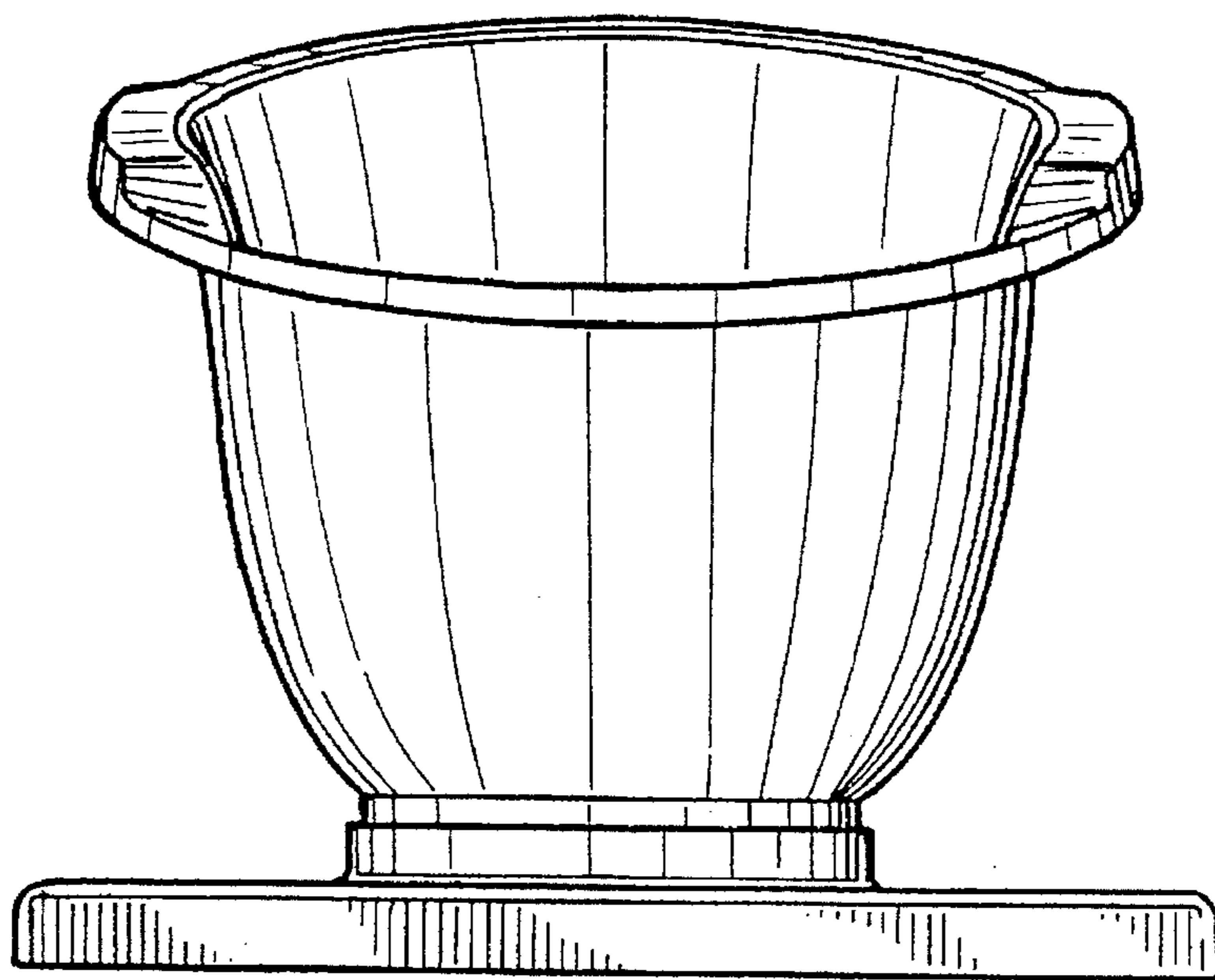


FIG. 2

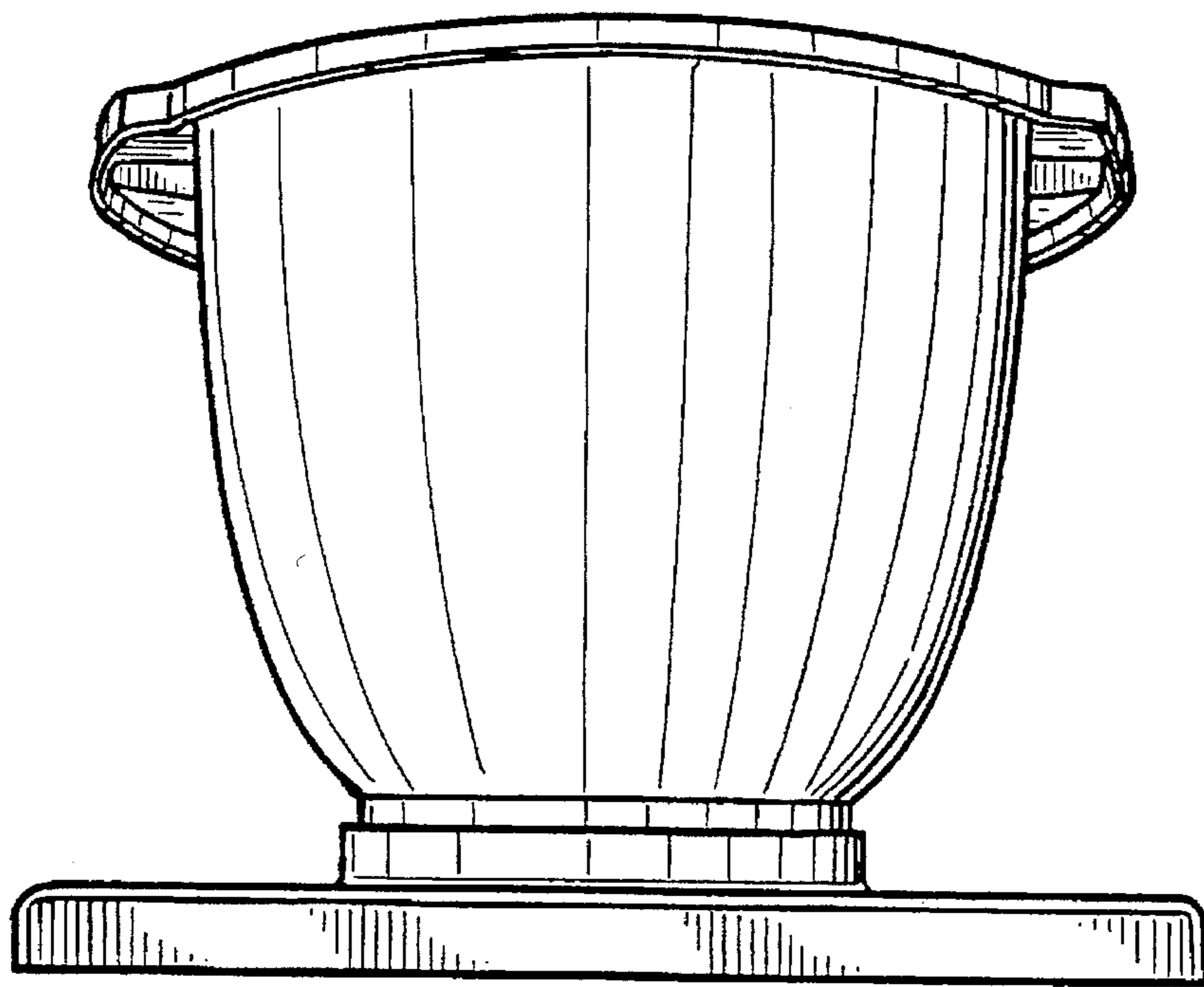


FIG. 3

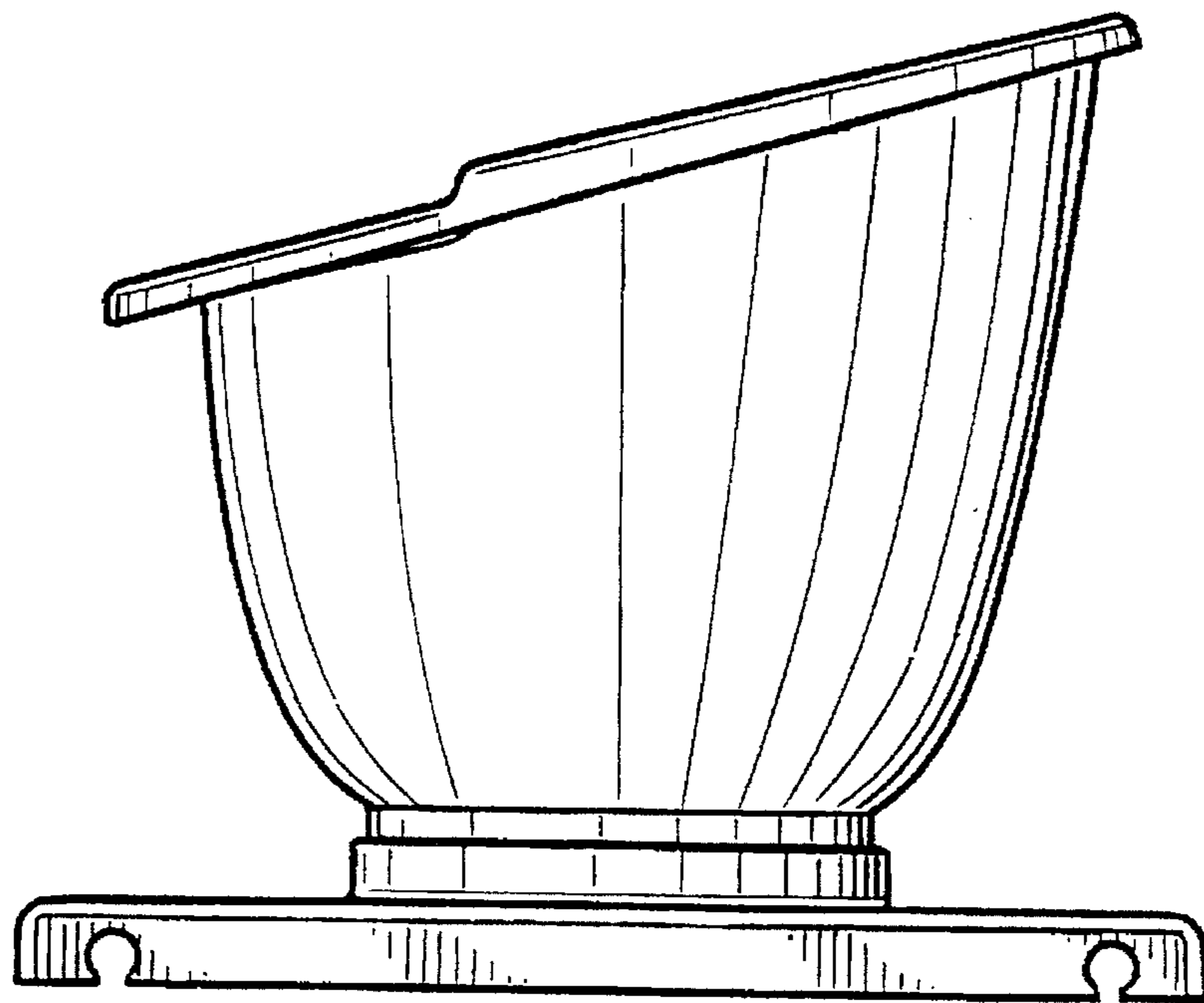


FIG. 4

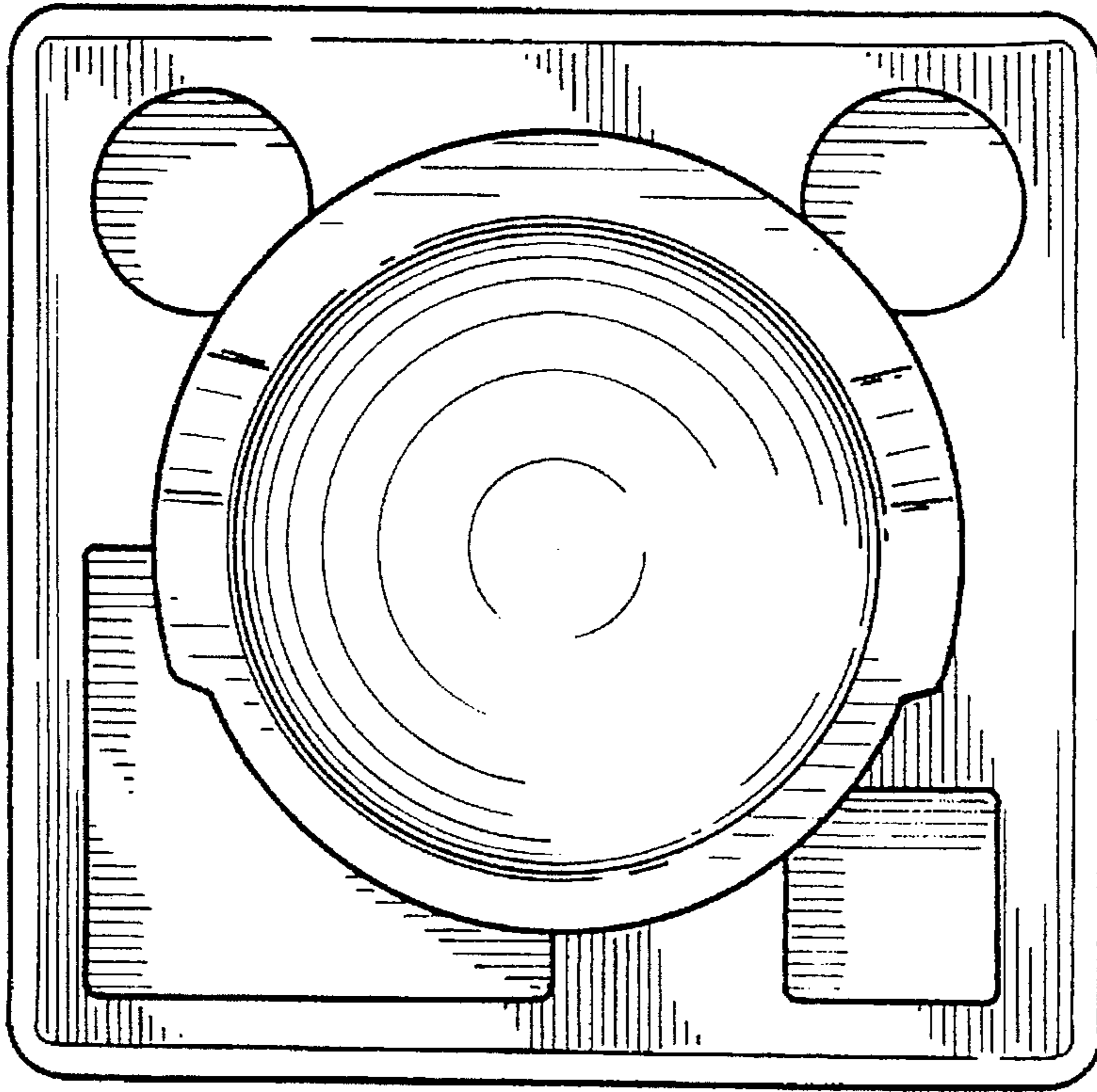


FIG. 5

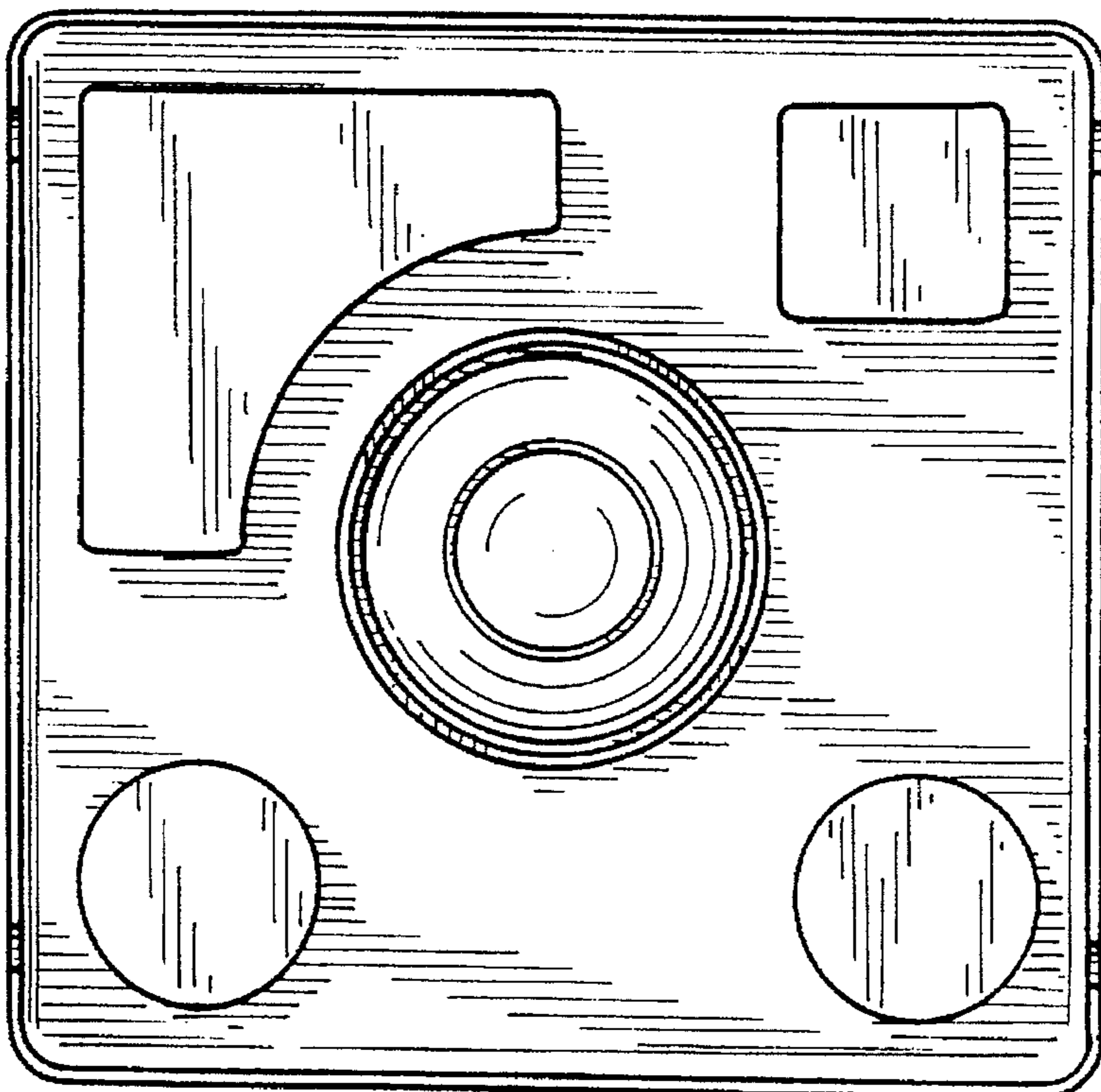


FIG. 6

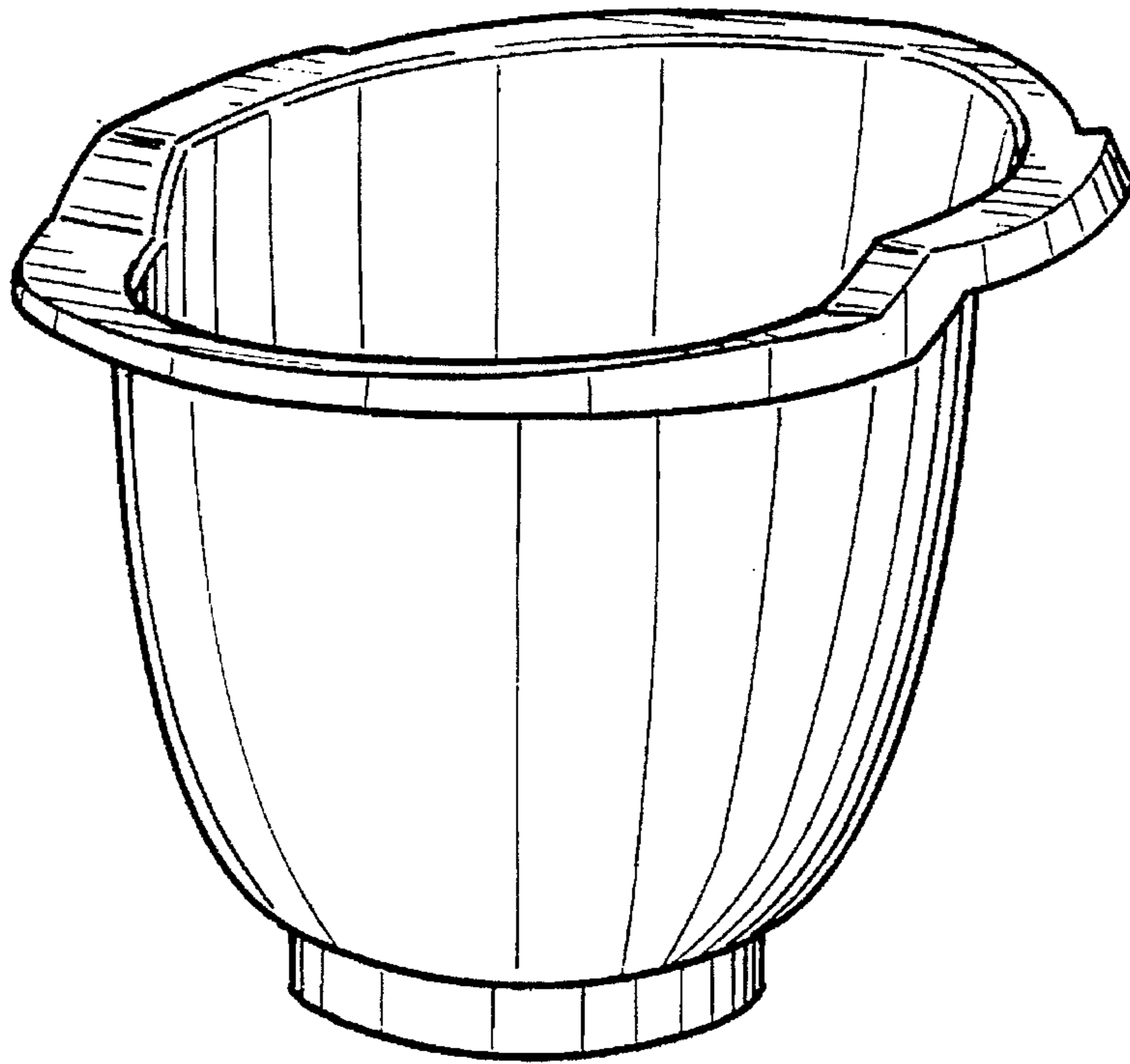


FIG. 7

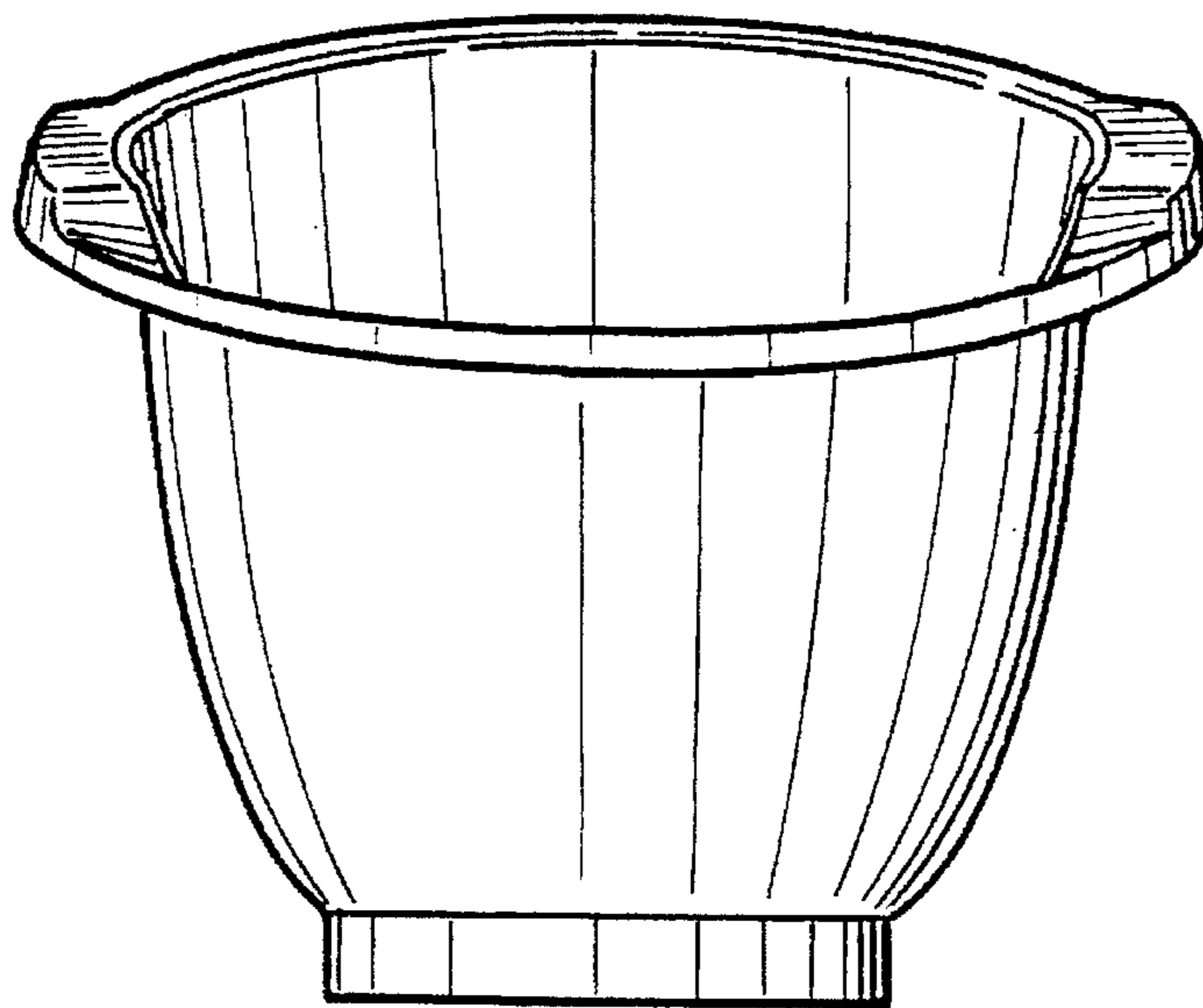


FIG. 8

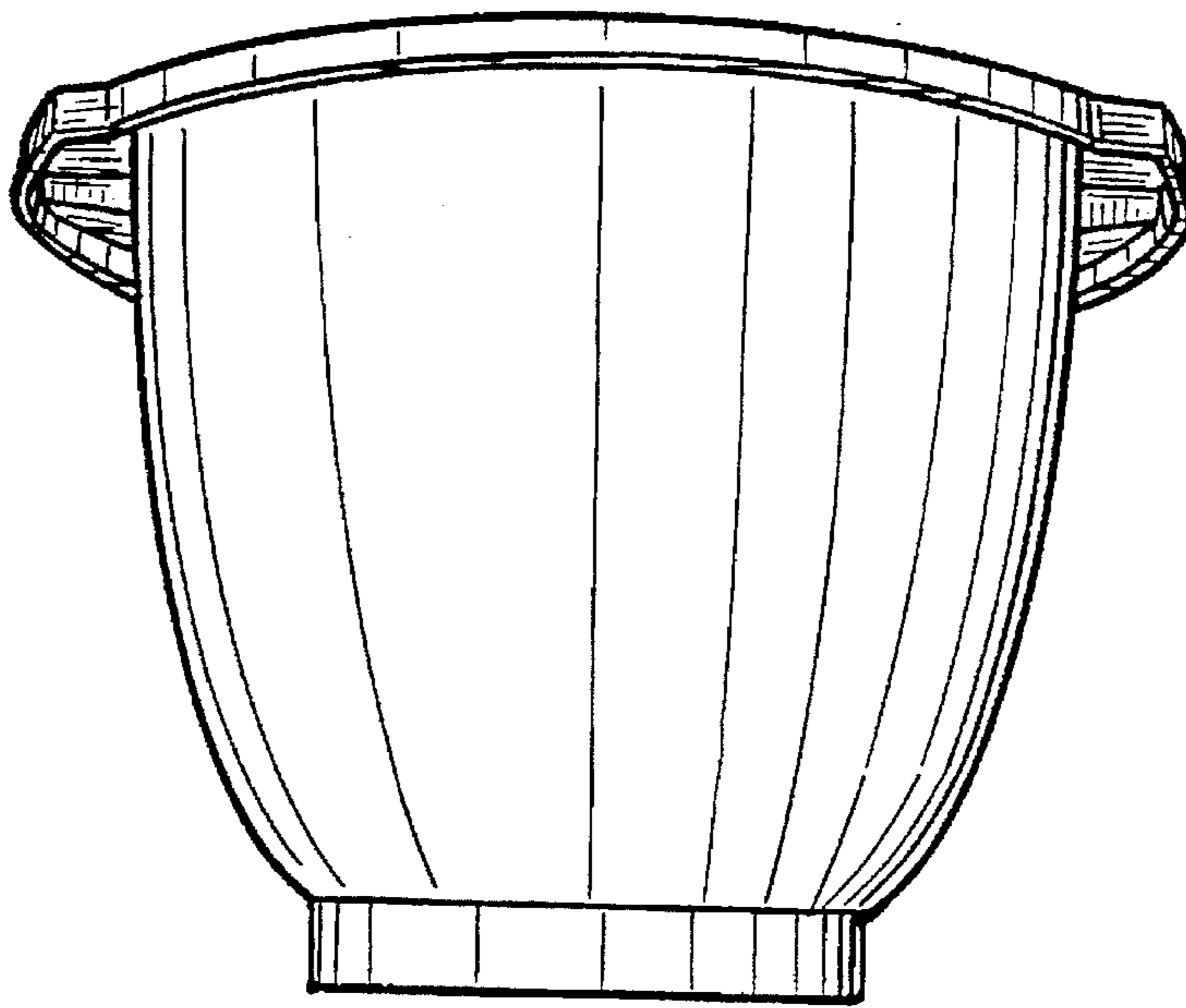


FIG. 9

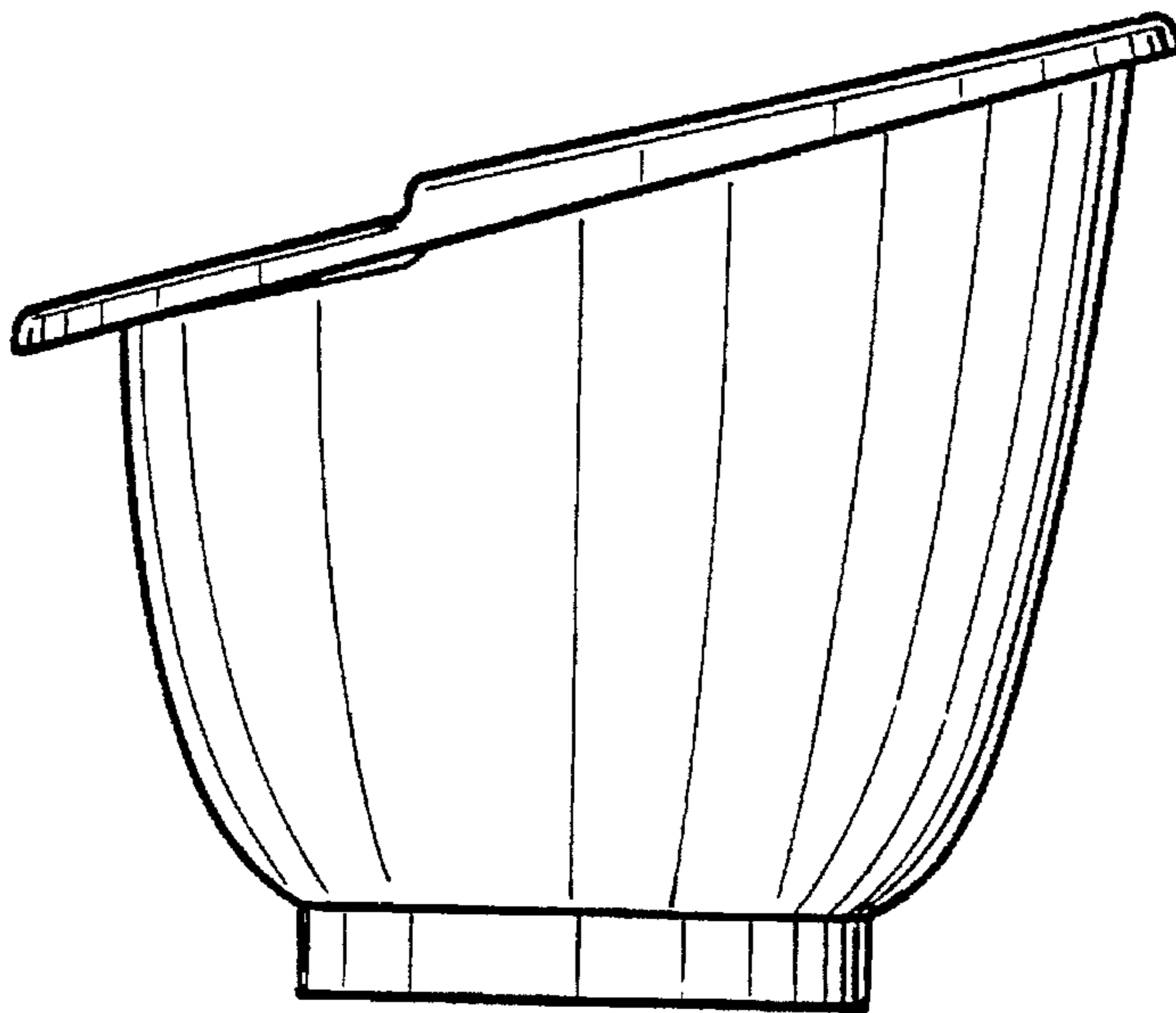


FIG. 10

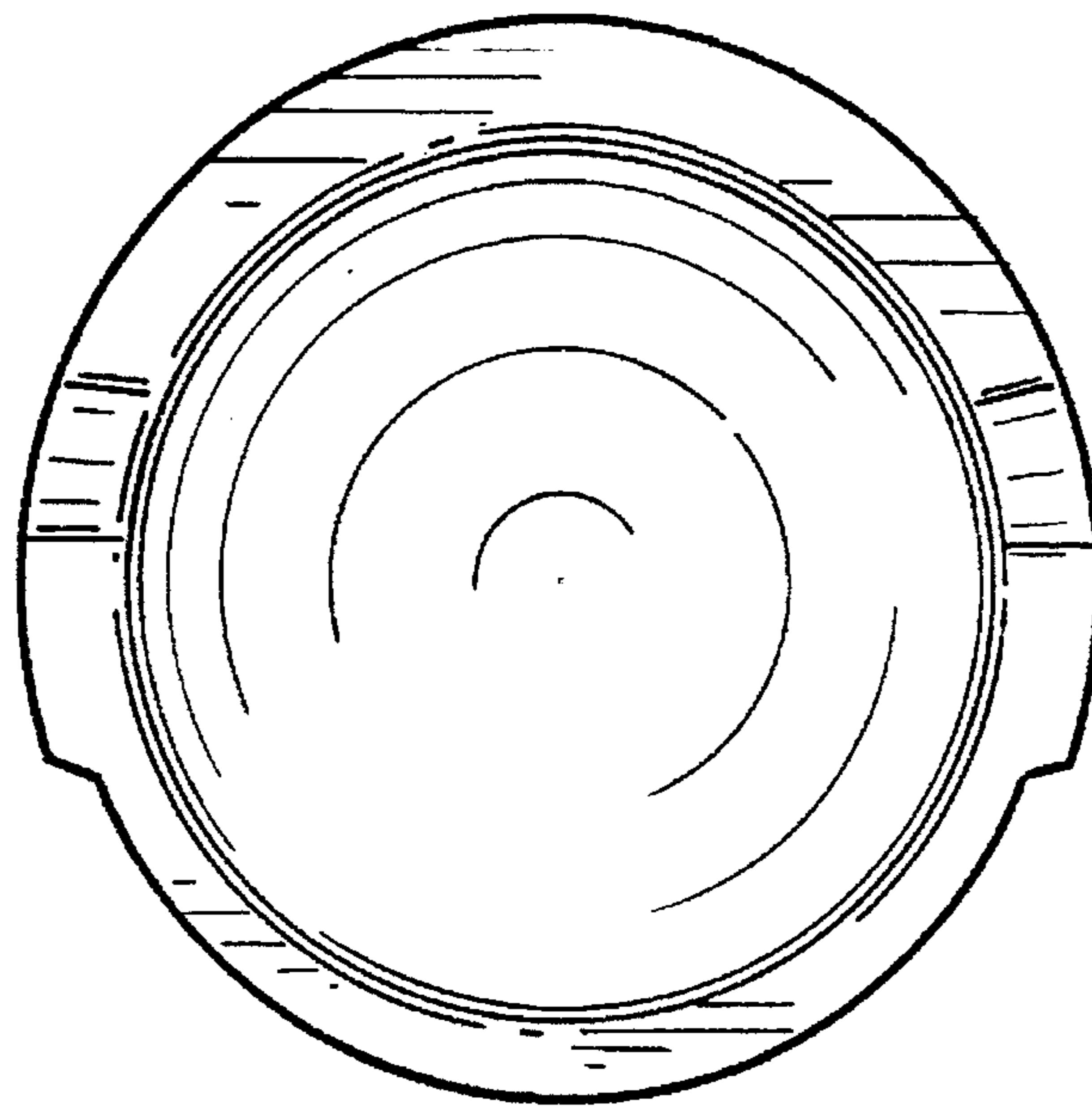


FIG. 11

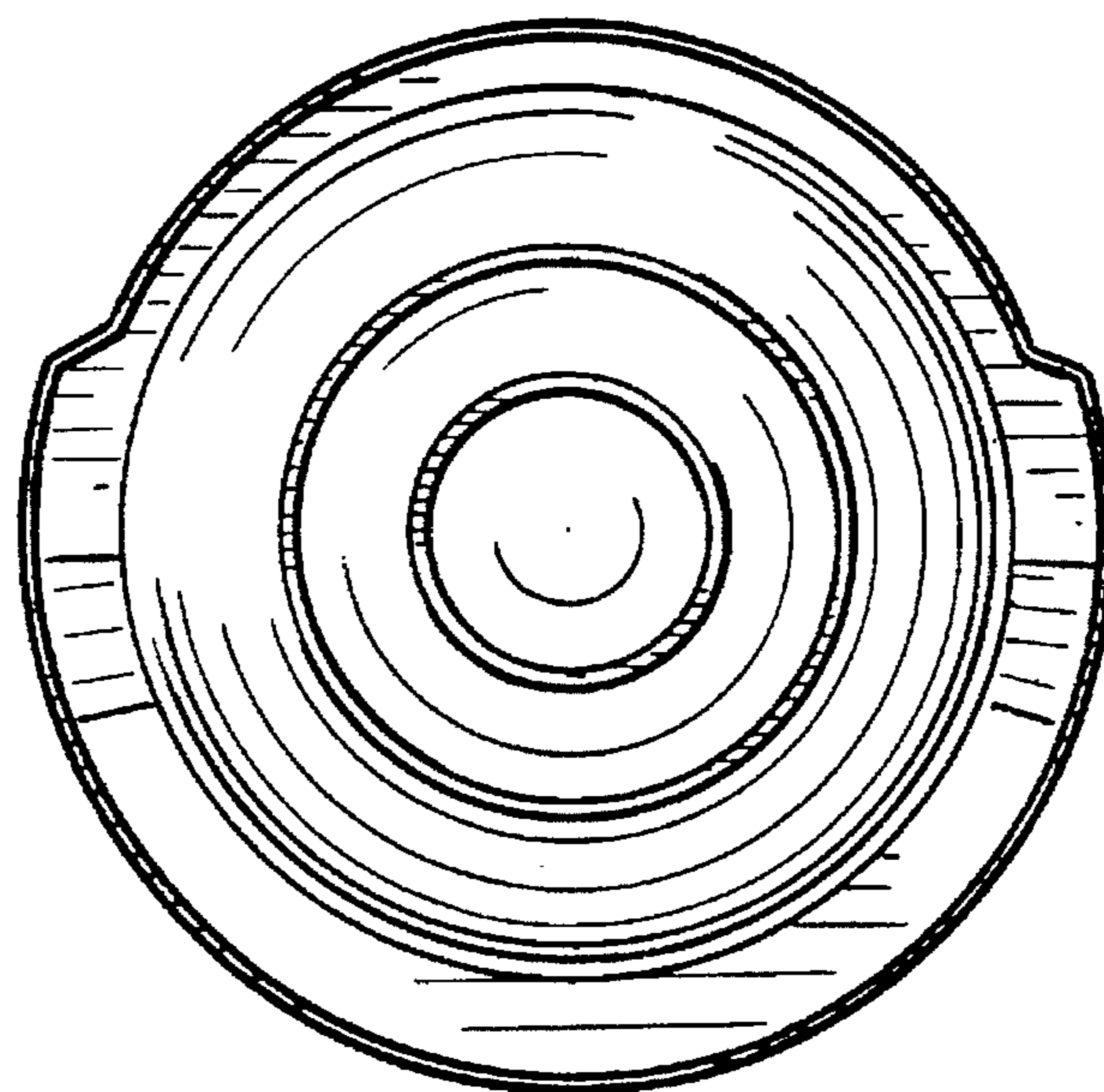


FIG. 12

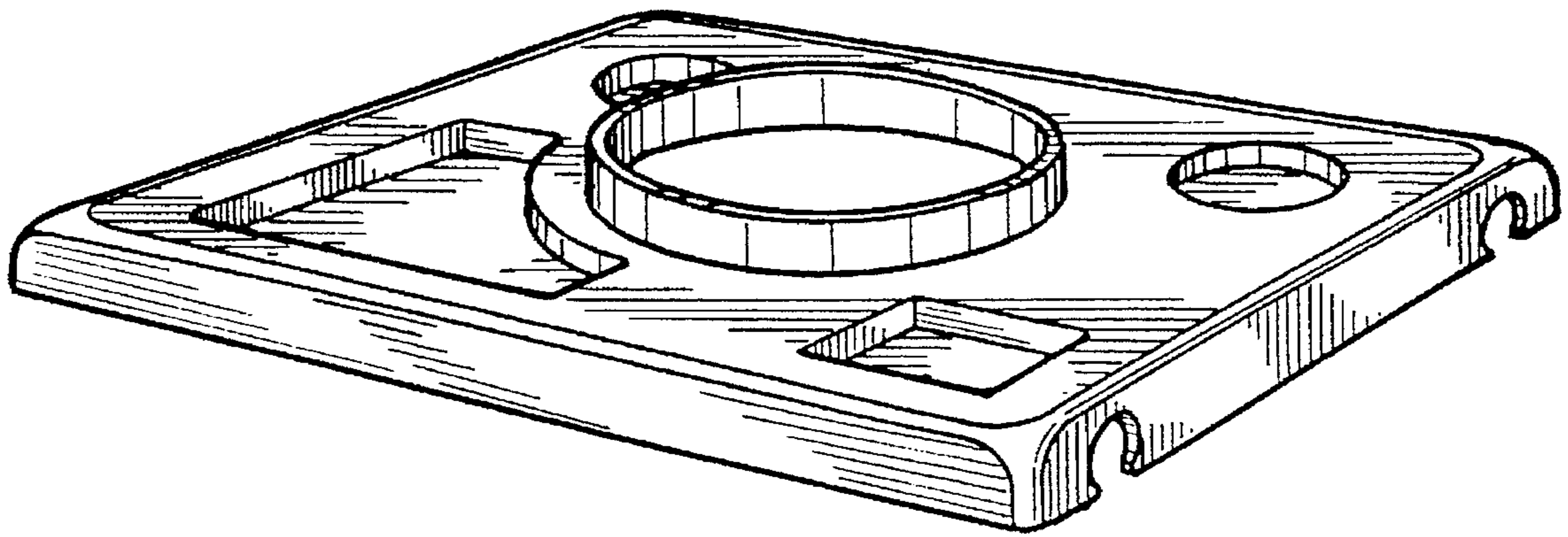


FIG. 13

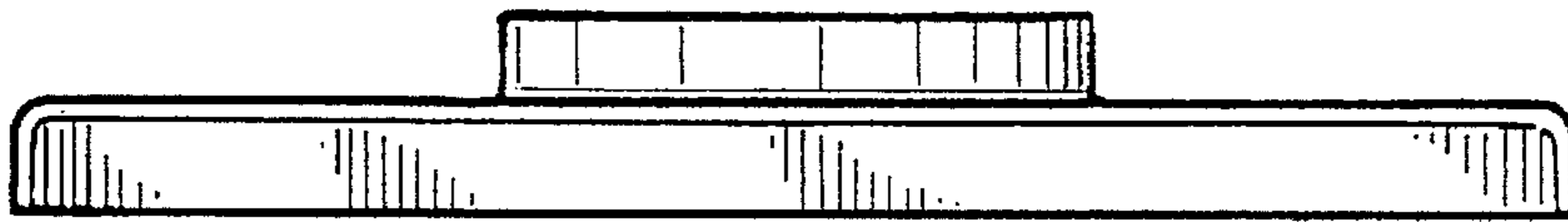


FIG. 14

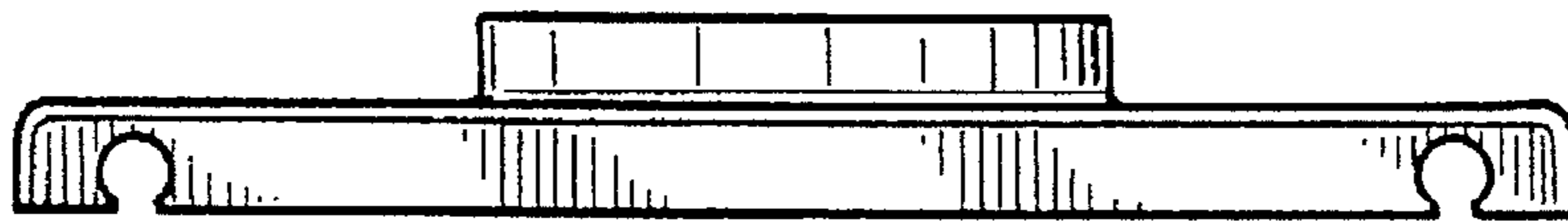


FIG. 15



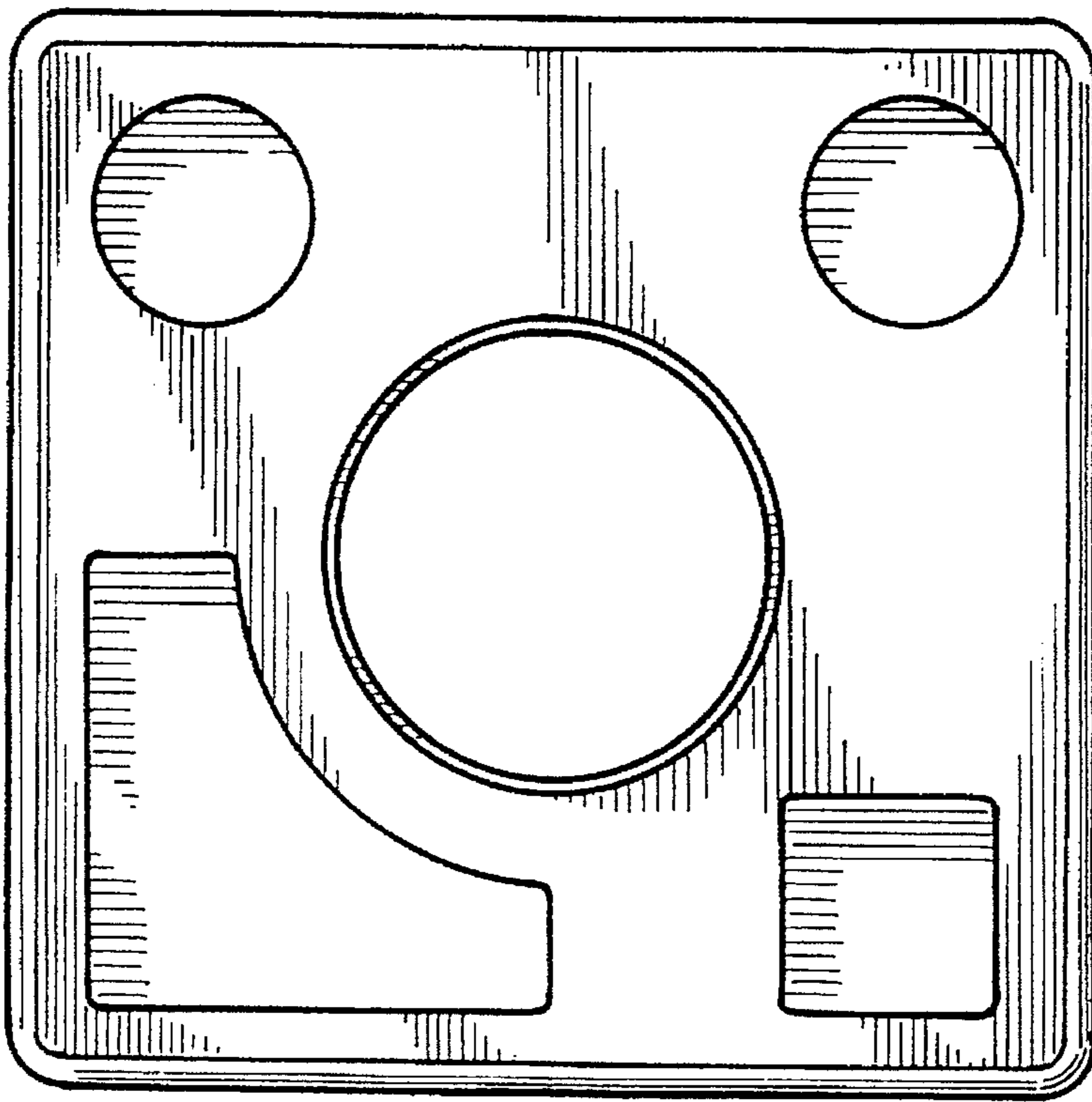


FIG. 16

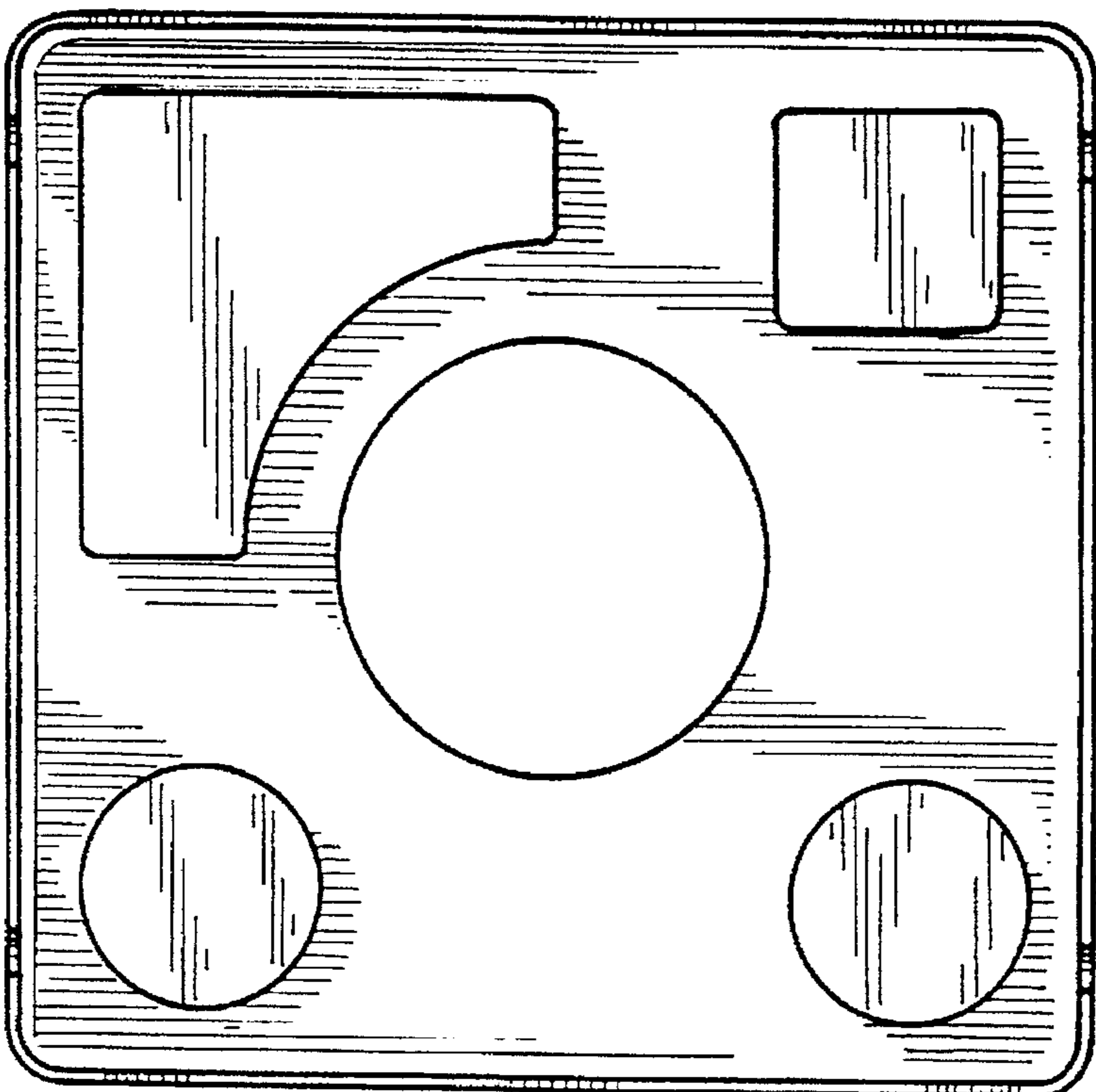


FIG. 17