



US00D379492S

United States Patent [19]

Walker et al.

[11] Patent Number: **Des. 379,492**

[45] Date of Patent: ****May 27, 1997**

[54] **STOP-COCK VALVE**

[75] Inventors: **Clarence L. Walker**, Webster Groves;
Frederick F. Schweitzer, Jr., Glencoe;
Alfredo E. Patag, St. Louis, all of Mo.

[73] Assignee: **Sherwood Medical Company**, St. Louis, Mo.

[**] Term: **14 Years**

[21] Appl. No.: **39,731**

[22] Filed: **Jun. 5, 1995**

Related U.S. Application Data

[63] Continuation-in-part of Ser. No. 230,657, Apr. 21, 1994, Pat. No. 5,443,453.

[51] LOC (6) Cl. **23-01**

[52] U.S. Cl. **D23/233; D23/259**

[58] Field of Search **D23/233-237, D23/244-249; D24/108, 111, 129; 604/30, 32, 34, 36, 93, 247, 248, 249, 280, 283; 137/625.41, 625.47**

[56] **References Cited**

U.S. PATENT DOCUMENTS

D. 237,882	12/1975	Yamasaki	D23/245
992,502	5/1911	Hollis	.	
1,162,935	12/1915	Lange	.	
3,048,192	8/1962	Murphy, Jr.	604/248
3,091,239	5/1963	Moeller	128/214
3,097,585	7/1963	Carlson	95/89
3,536,451	10/1970	Ludwin	23/258.5
3,678,960	7/1972	Leibinsohn	137/625.47
3,788,599	1/1974	Cloyd	251/181
3,831,625	8/1974	Roediger	37/377
3,834,372	9/1974	Tumey	604/248
3,858,601	1/1975	Ensinger	137/374
3,957,082	5/1976	Fuson et al.	137/625.41
3,985,133	10/1976	Jenkins et al.	128/214
3,994,294	11/1976	Knute	128/214
4,219,021	8/1980	Fink	128/214

4,460,358	7/1984	Somerville et al.	604/250
4,552,334	11/1985	Tomiyama et al.	251/240
4,557,725	12/1985	Heyne et al.	604/151
4,585,411	4/1986	Bocci et al.	604/245
4,585,442	4/1986	Mannes	.	
4,593,717	6/1986	Levasseur	137/556.6
4,604,093	8/1986	Brown et al.	604/248
4,667,927	5/1987	Oscarsson	D24/129 X
4,689,043	8/1987	Bisha	604/250
4,691,895	9/1987	Garff	251/292
4,852,563	8/1989	Gross	D24/129 X
4,904,245	2/1990	Chen et al.	604/248
5,005,604	4/1991	Aslanian	604/32
5,017,192	5/1991	Dodge et al.	604/250
5,074,334	12/1991	Onodera	604/248 X
5,104,387	4/1992	Pokomey et al.	604/248
5,156,186	10/1992	Manska	137/556
5,219,327	6/1993	Okada	604/34
5,244,463	9/1993	Cordner, Jr. et al.	604/151
5,364,364	11/1994	Kasvikis et al.	604/151

FOREIGN PATENT DOCUMENTS

45910	7/1932	Denmark	.
576400	5/1958	Italy	.
62744	1/1913	Sweden	.

Primary Examiner—Louis S. Zarfaz

Assistant Examiner—Eric Watterson

Attorney, Agent, or Firm—Gene B. Kartchner; Montgomery W. Smith

[57] **CLAIM**

The ornamental design for a stop-cock valve, as shown.

DESCRIPTION

FIG. 1 is a perspective view of a stop-cock valve showing our new design;

FIG. 2 is a top plan view thereof;

FIG. 3 is a left side view thereof;

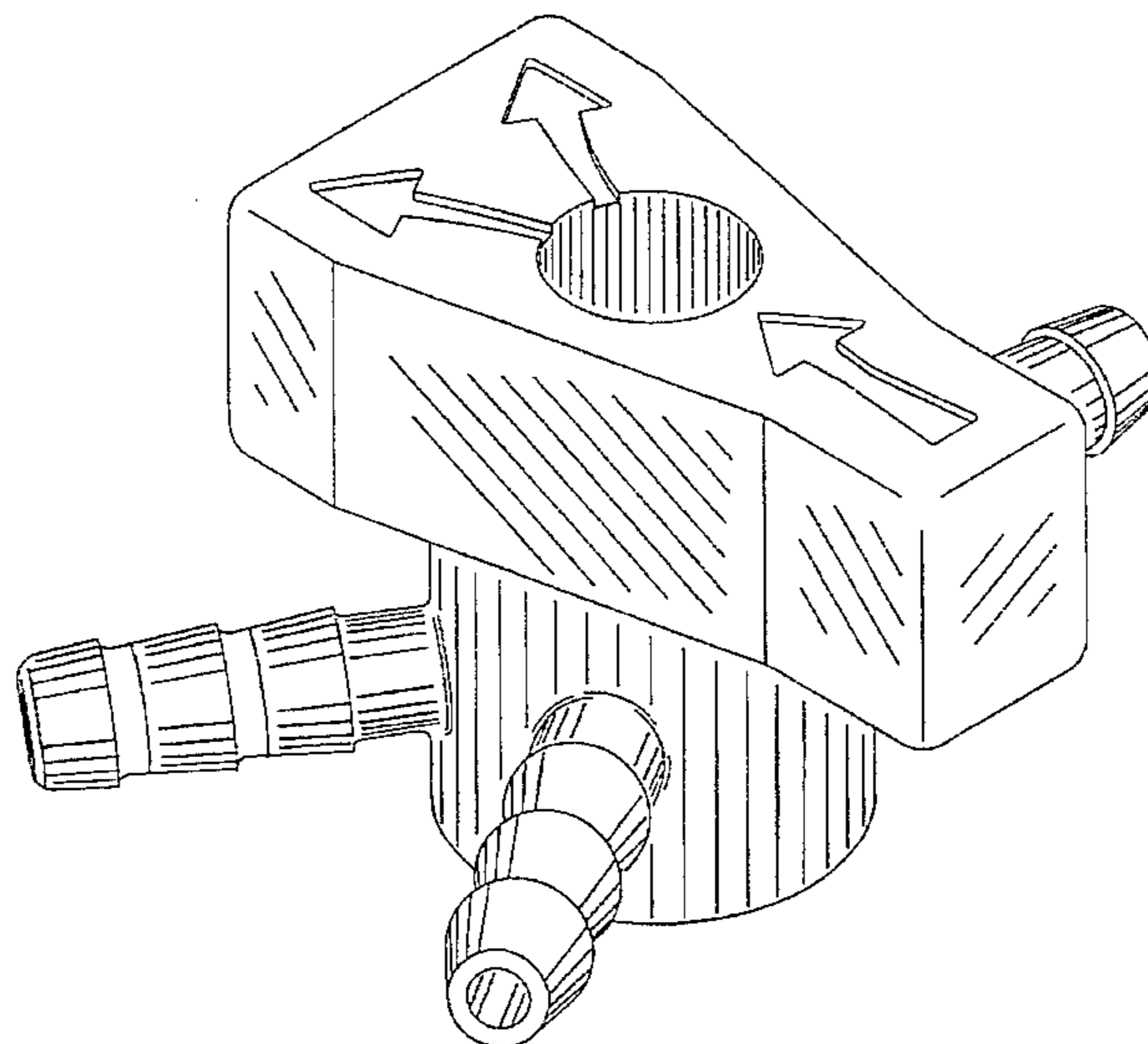
FIG. 4 is a right side view thereof;

FIG. 5 is a rear view thereof;

FIG. 6 is a front view thereof; and,

FIG. 7 is a bottom plan thereof.

1 Claim, 7 Drawing Sheets



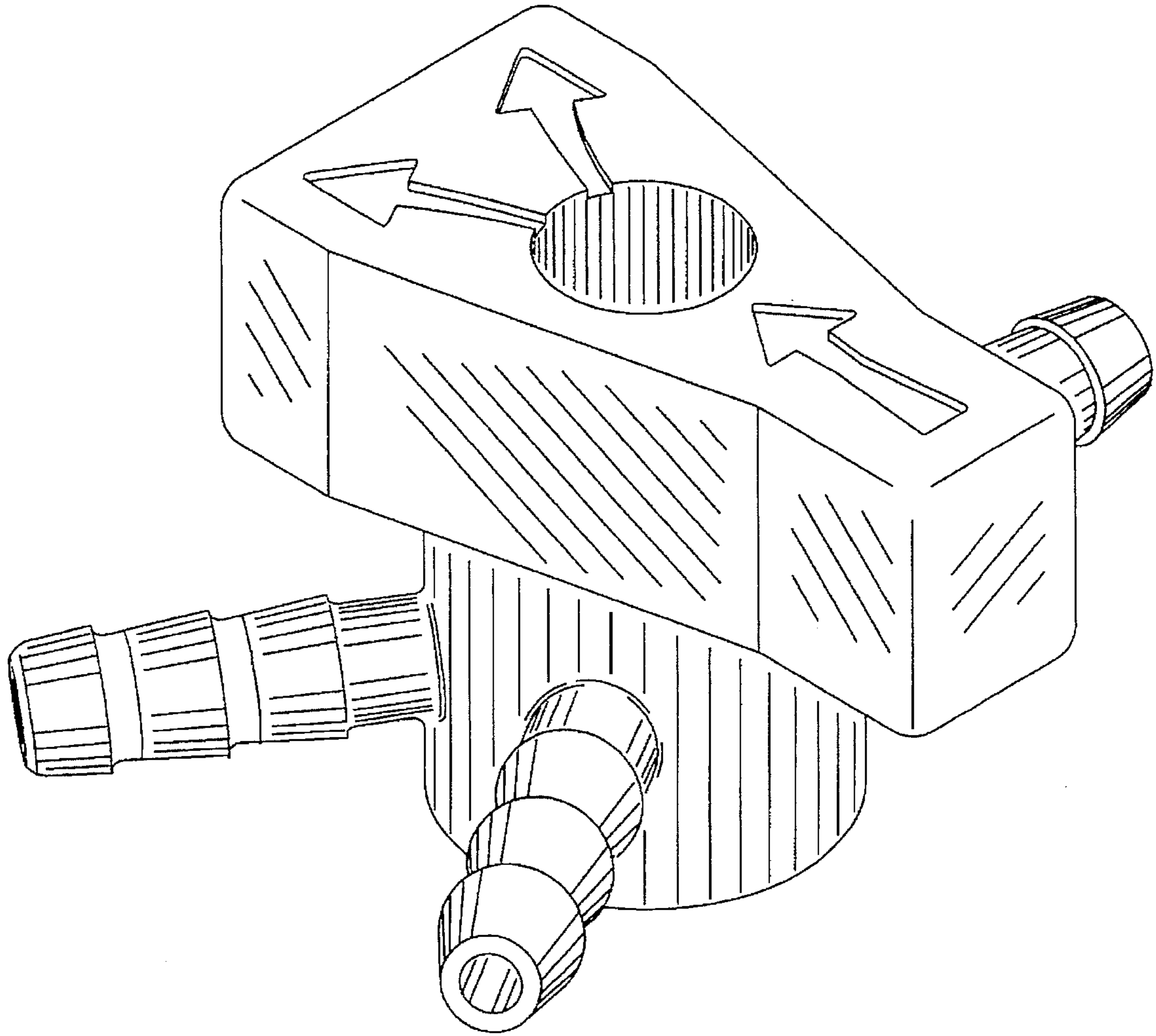


Fig. 1

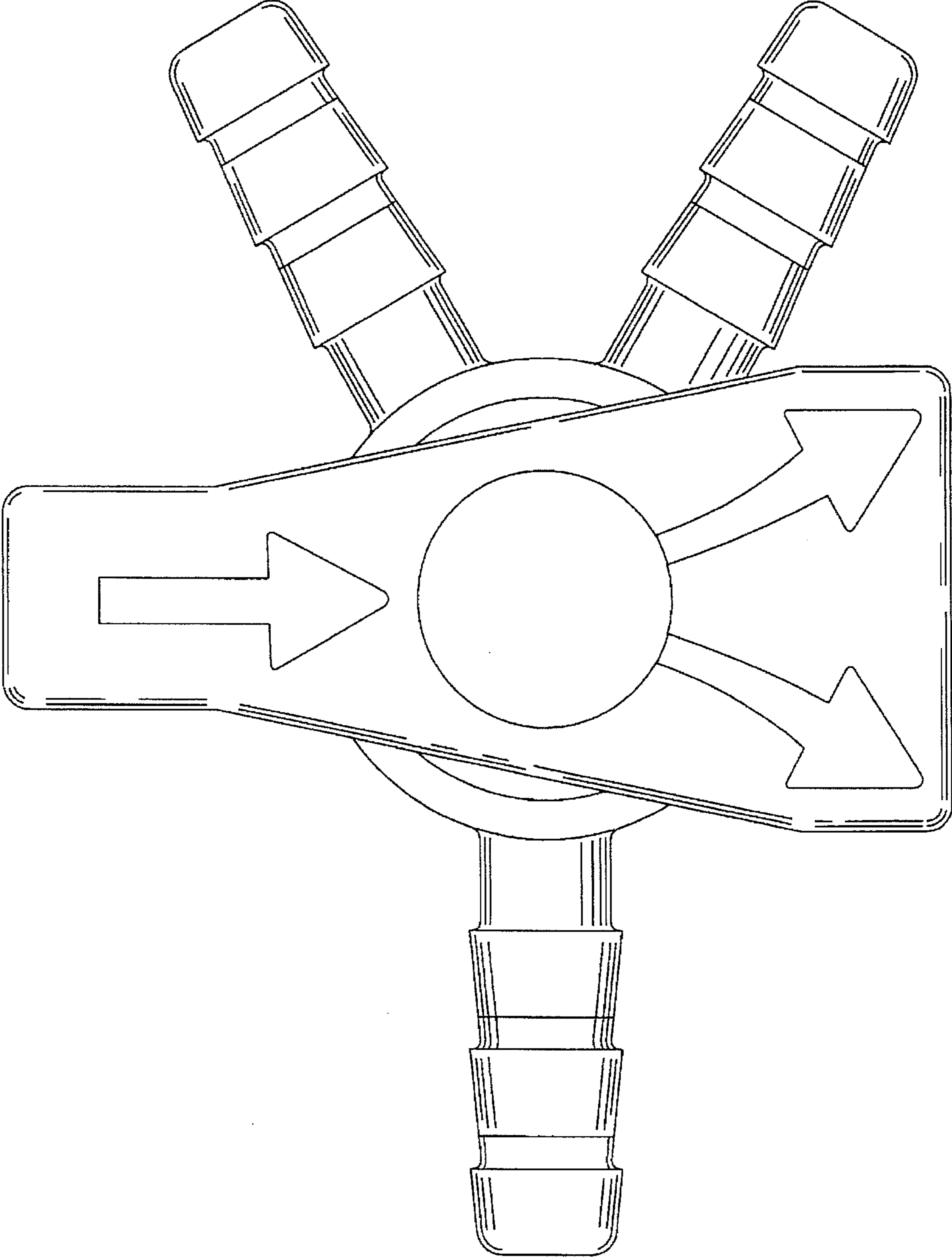


Fig. 2

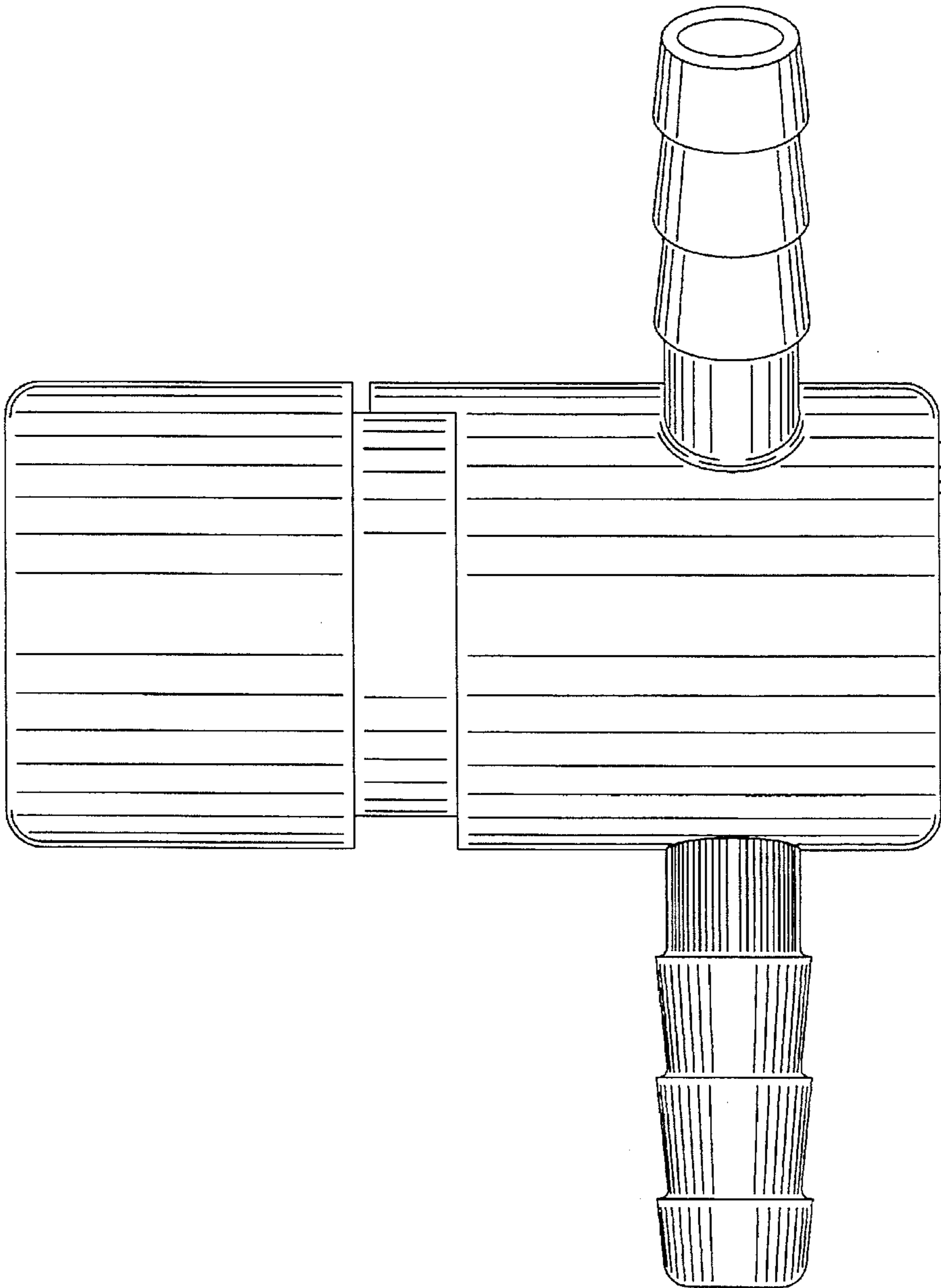


Fig. 3

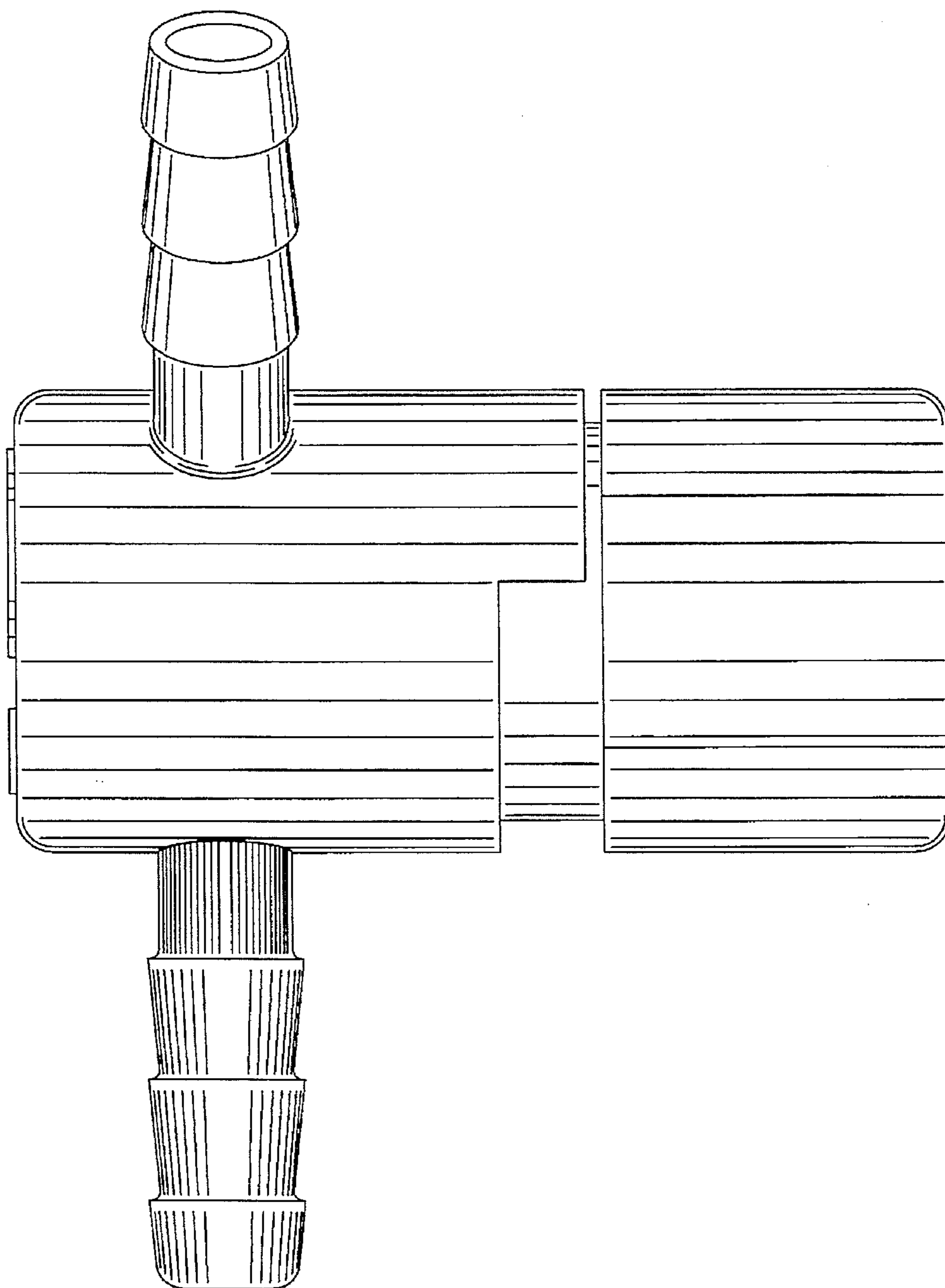


Fig. 4

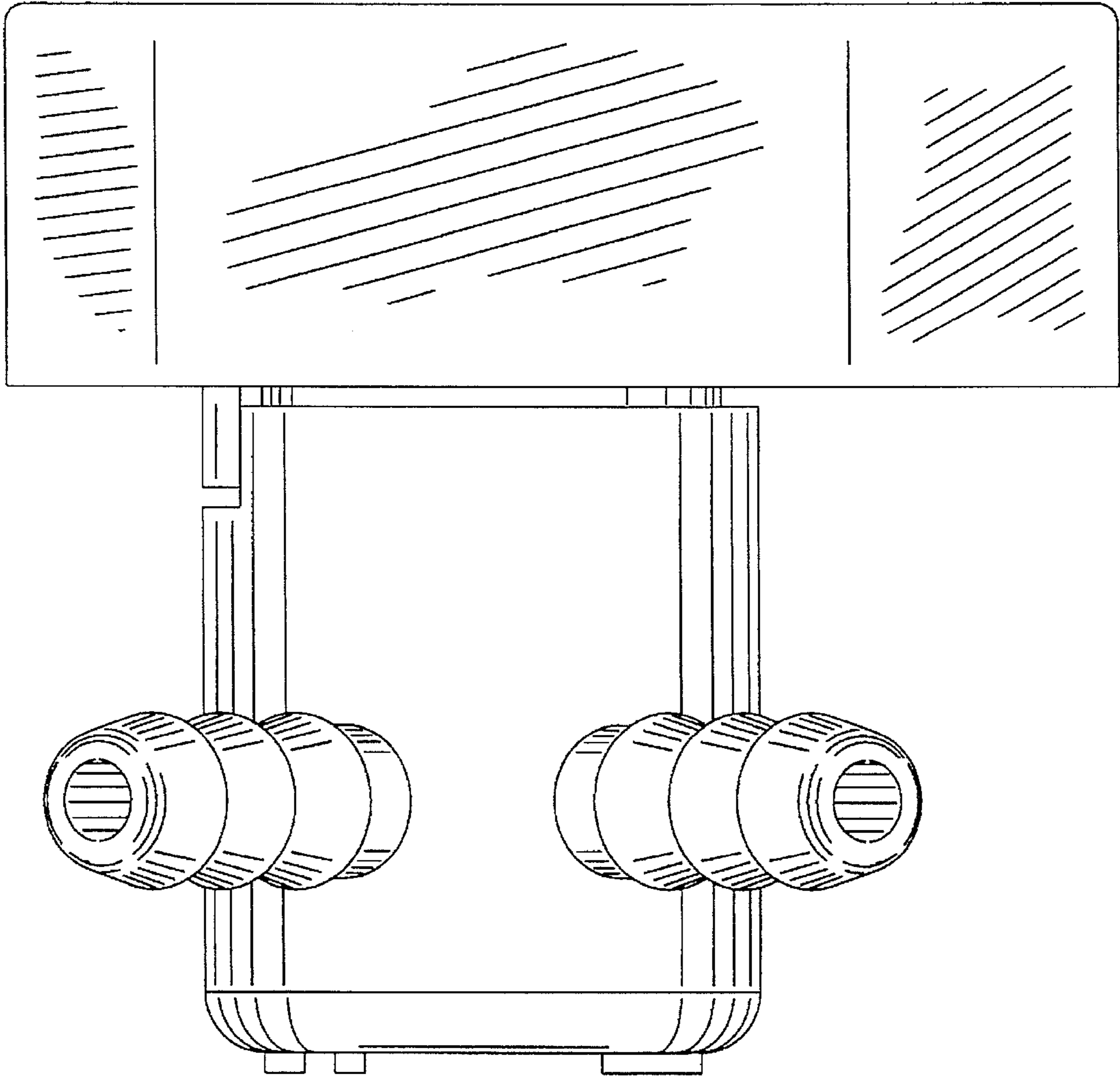


Fig. 5

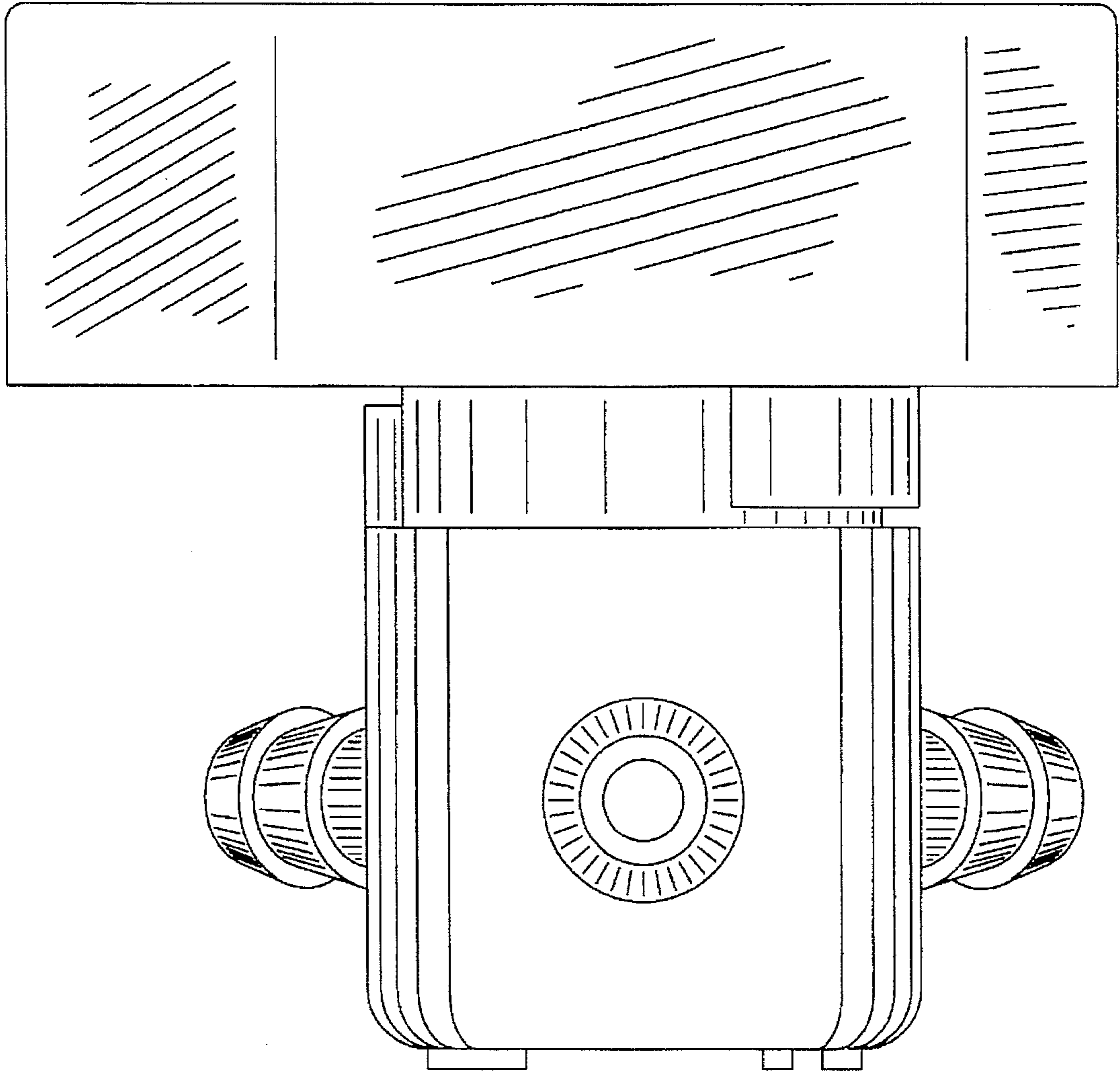


Fig. 6

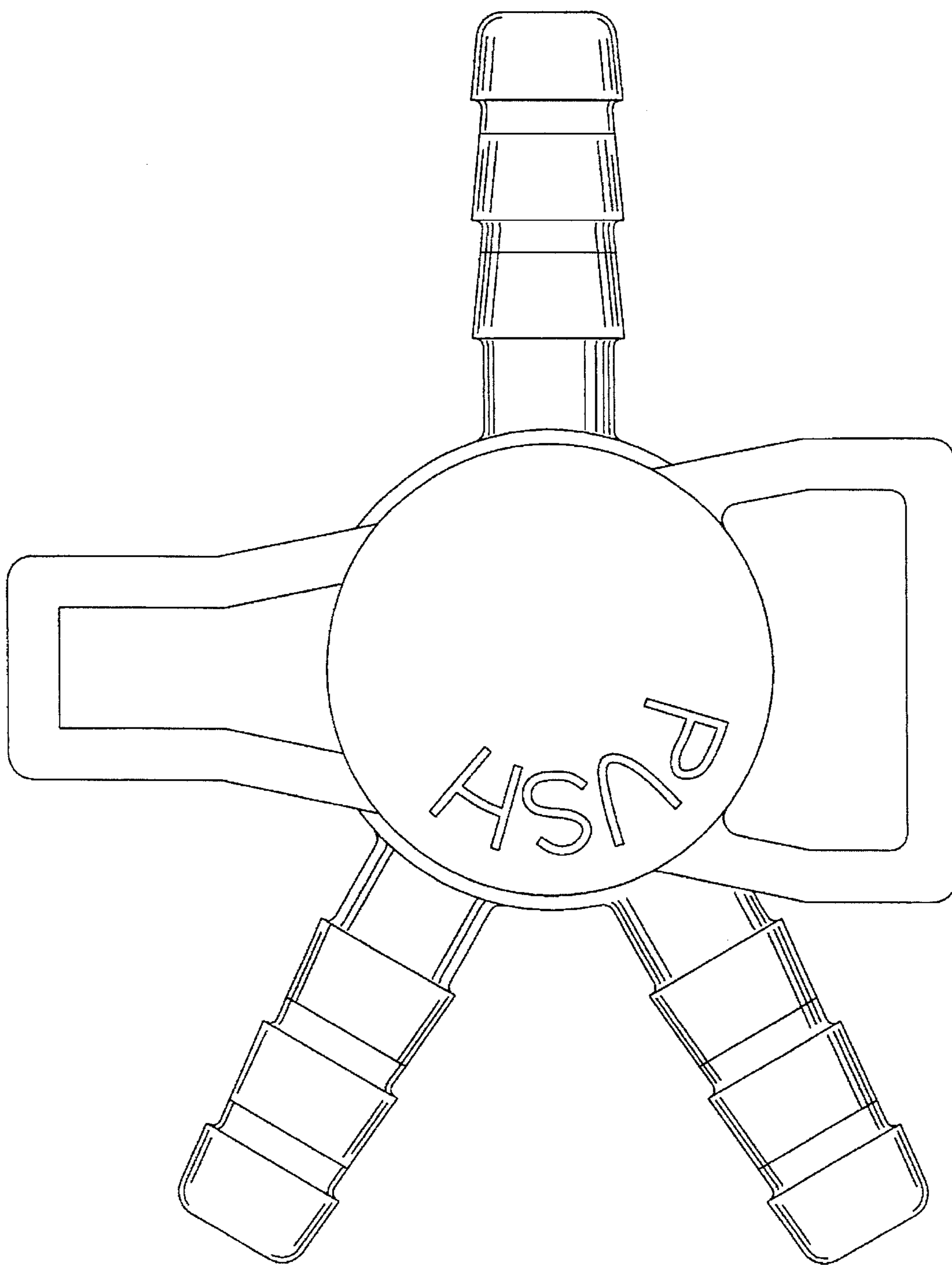


Fig. 7