



US00D379490S

# United States Patent [19] O'Dougherty et al.

[11] Patent Number: **Des. 379,490**

[45] Date of Patent: **\*\*May 27, 1997**

## [54] LIQUID CHEMICAL TANK

[75] Inventors: **Michael D. O'Dougherty**, Maplewood;  
**Steven W. Claussen**, Benson, both of  
Minn.

[73] Assignee: **C.A.P. Inc.**, Benson, Minn.

[\*\*] Term: **14 Years**

[21] Appl. No.: **32,918**

[22] Filed: **Dec. 30, 1994**

[51] LOC (6) Cl. .... **23-01**

[52] U.S. Cl. .... **D23/208**

[58] Field of Search ..... D23/202, 200,  
D23/207, 208, 209, 210; 220/565, 561,  
1.5, 0.2, 414, 635, 636, 628, 581, DIG. 7,  
87.2; 137/592, 587, 216; 222/181.1, 185.1,  
158, 327; 239/373

## [56] References Cited

### U.S. PATENT DOCUMENTS

D. 238,363	1/1976	Polens	.....	D23/207
D. 321,394	11/1991	Petrucci et al.	.....	D23/209
D. 353,436	12/1994	Hess	.....	D23/202
682,680	9/1901	Fribourg	.....	222/181.2
929,255	7/1909	Singleton	.....	220/581
1,011,988	12/1911	Moeller	.....	220/581 X
1,090,607	3/1914	Fritz	.....	222/185.1 X
2,061,955	11/1936	Waddick	.....	222/181.1
2,561,148	7/1951	Snow	.....	222/185.1
2,971,532	2/1961	McLaren et al.	.....	137/592
3,061,152	10/1962	Safianoff et al.	.....	222/185.1 X
3,529,647	9/1970	Ignell	.....	220/581
3,662,780	5/1972	Marsh	.....	220/581 X
3,880,331	4/1975	Perkins	.....	222/327
4,022,355	5/1977	Sabaka	.....	222/327
4,217,995	8/1980	Robillard	.....	222/327
4,505,407	3/1985	Johnson	.....	222/181.1
4,869,403	9/1989	Bruning	.....	22/327

## FOREIGN PATENT DOCUMENTS

755223 11/1933 France ..... 220/581

*Primary Examiner*—Susan J. Lucas  
*Assistant Examiner*—Cynthia E. Ramirez  
*Attorney, Agent, or Firm*—William L. Huebsch

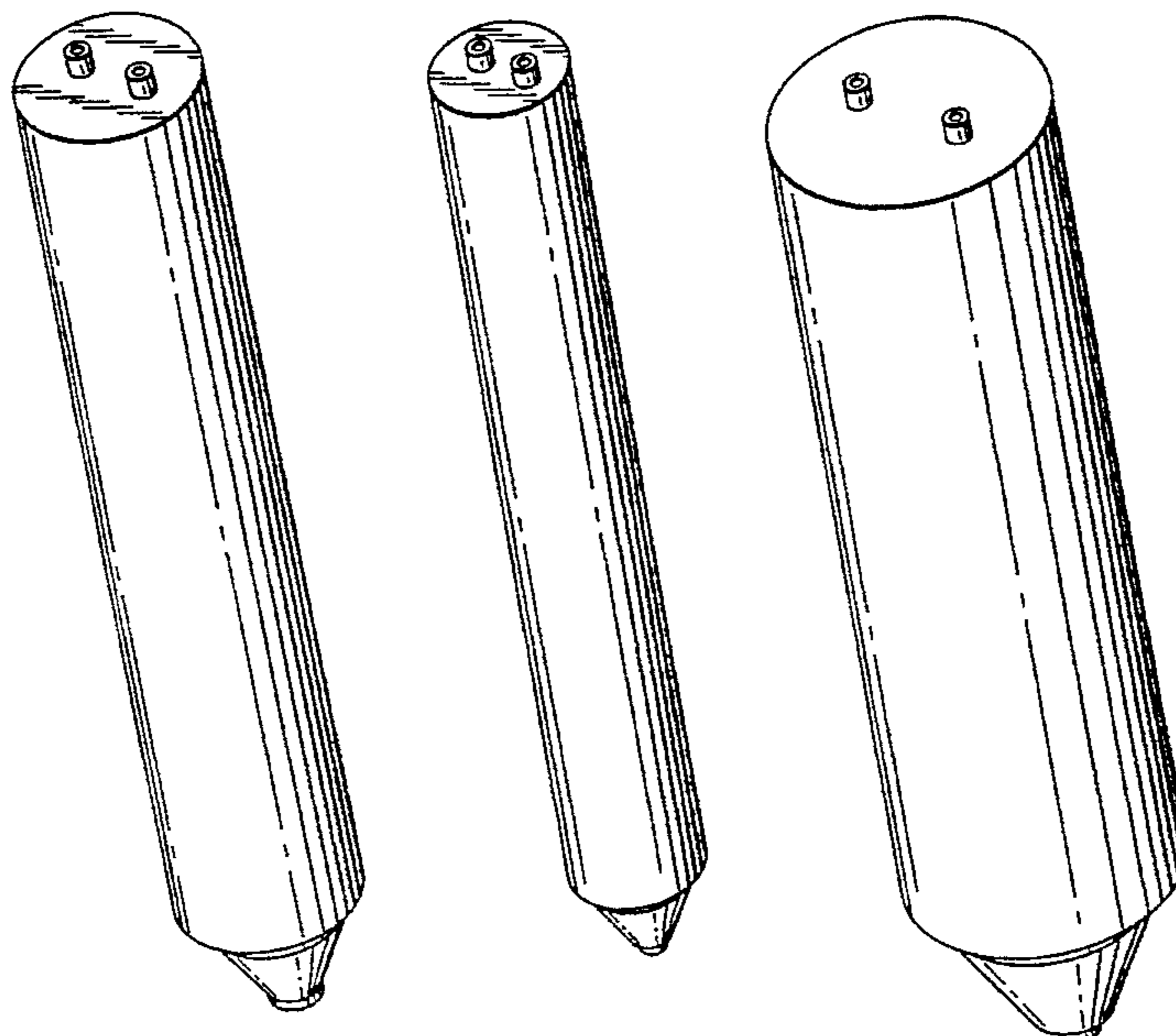
## [57] CLAIM

The ornamental design for a liquid chemical tank, as shown and described.

## DESCRIPTION

FIG. 1 is a top, right front isometric view of a first embodiment of a liquid chemical tank showing our new design; FIG. 2 is a front elevational view of said first embodiment, the rear elevational view being the same; FIG. 3 is a left side elevational view of said first embodiment, the right side elevational view being the same; FIG. 4 is a top view of said first embodiment; FIG. 5 is a bottom view of said first embodiment; FIG. 6 is a top, right front isometric view of a second embodiment of a liquid chemical tank showing our new design; FIG. 7 is a front elevational view of said second embodiment, the rear elevational view being the same; FIG. 8 is a left side elevational view of said second embodiment, the right side elevational view being the same; FIG. 9 is a top view of said second embodiment; FIG. 10 is a bottom view of said second embodiment; FIG. 11 is a top, right front isometric view of a third embodiment of a liquid chemical tank showing our new design; FIG. 12 is a front elevational view of said third embodiment, the rear elevational view being the same; FIG. 13 is a left side elevational view of said third embodiment, the right side elevational view being the same; FIG. 14 is a top view of said third embodiment; and, FIG. 15 is a bottom view of said third embodiment.

**1 Claim, 3 Drawing Sheets**



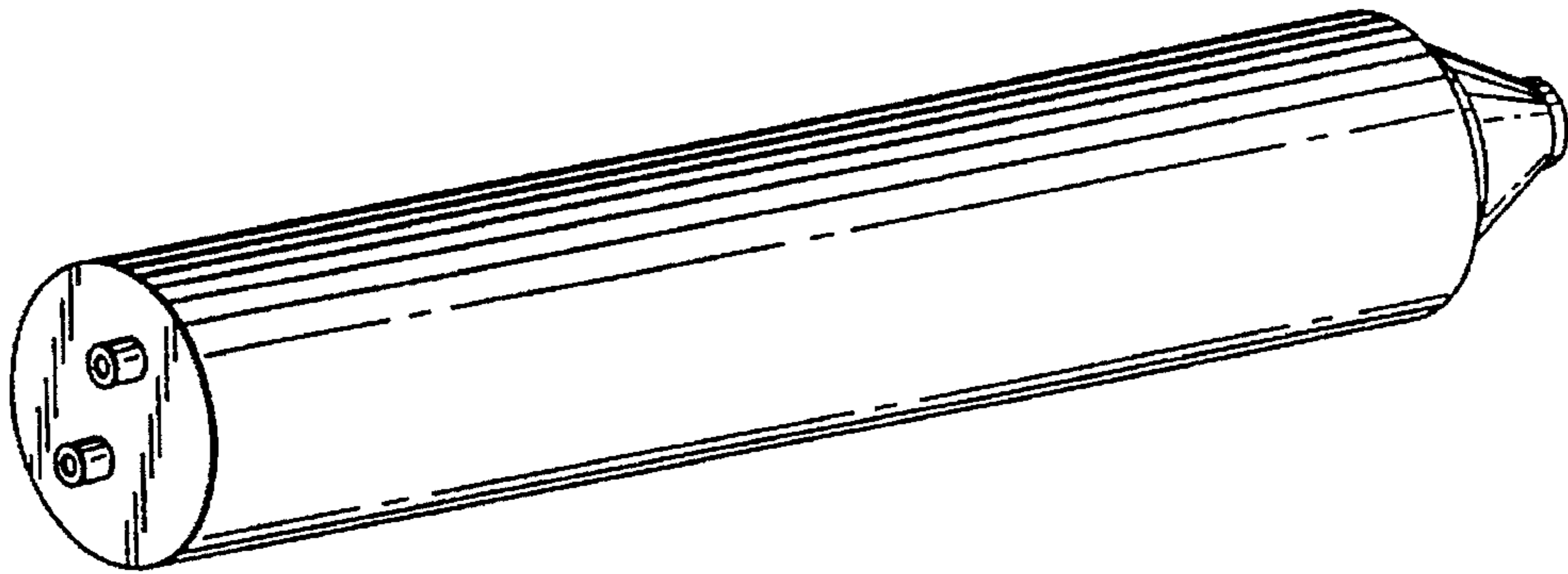


Fig. 1

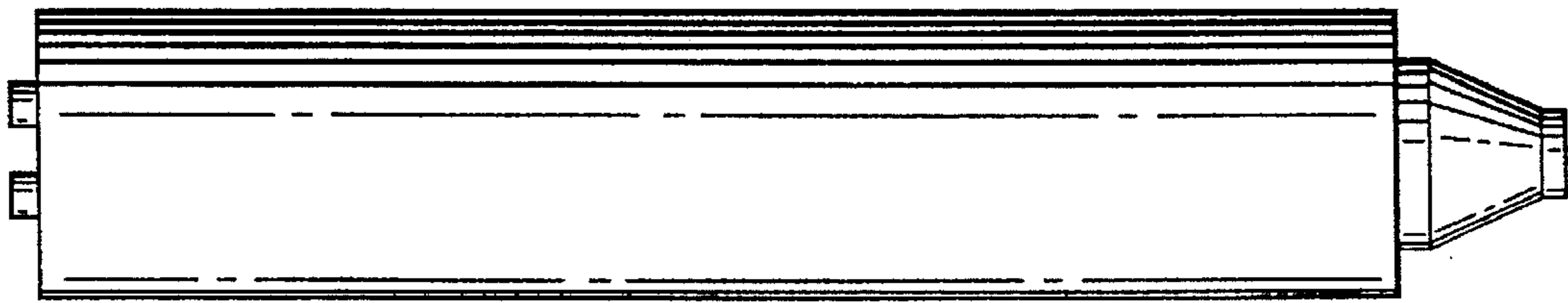


Fig. 2

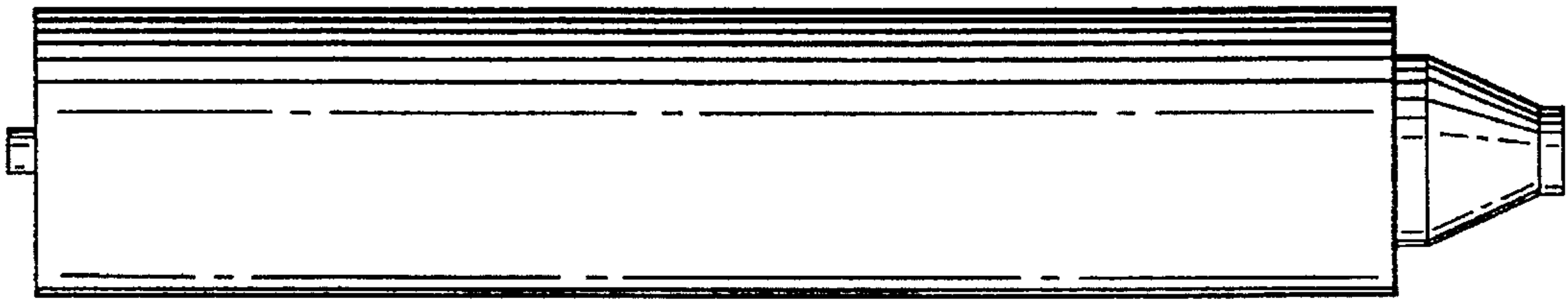


Fig. 3

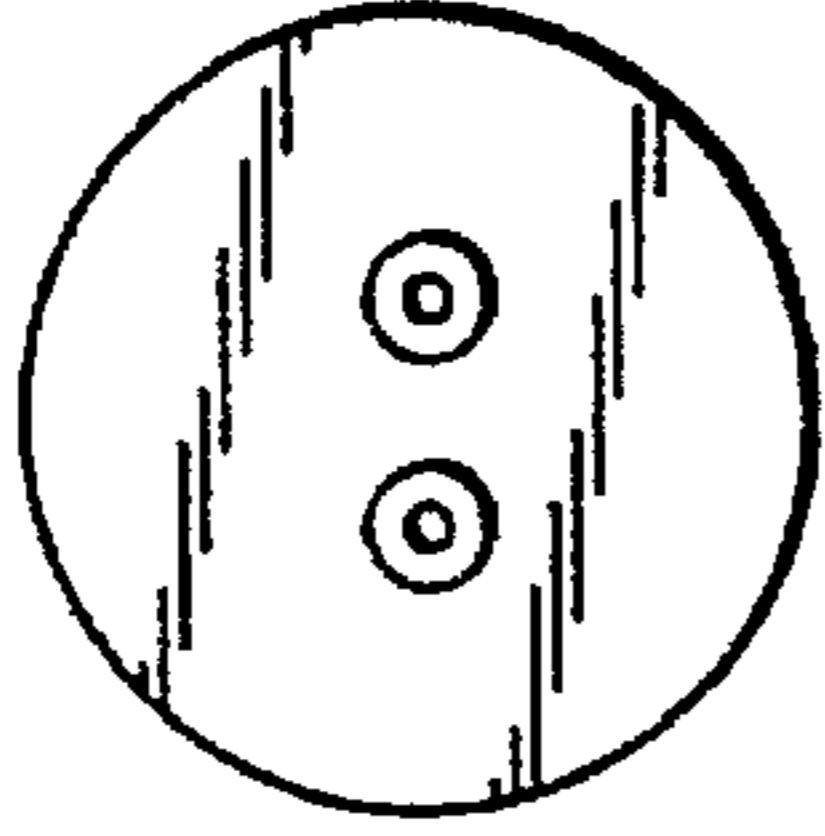


Fig. 4

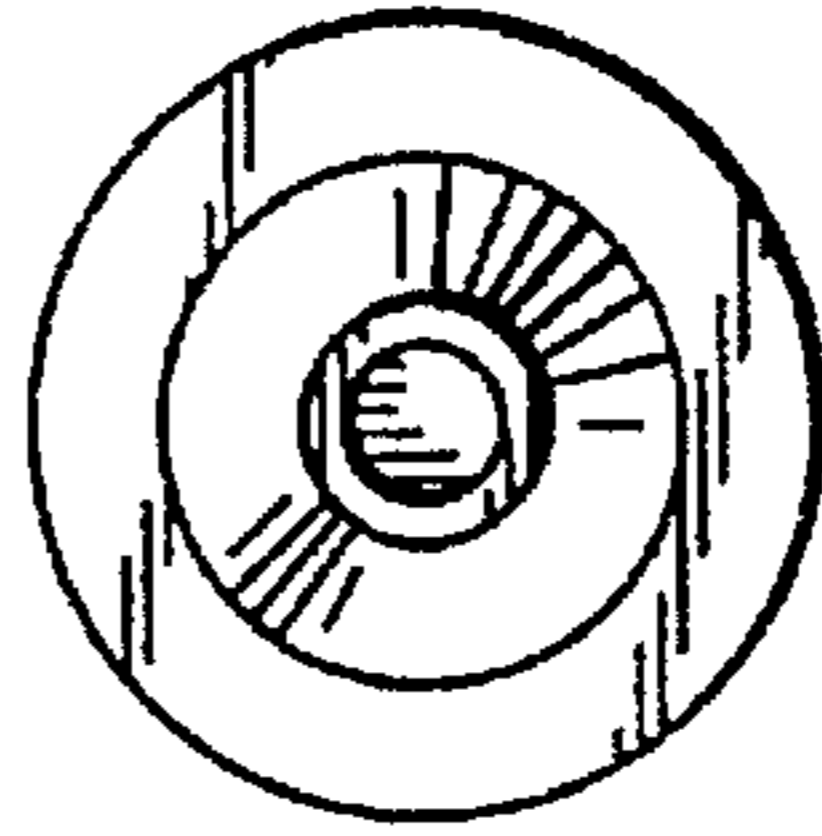


Fig. 5

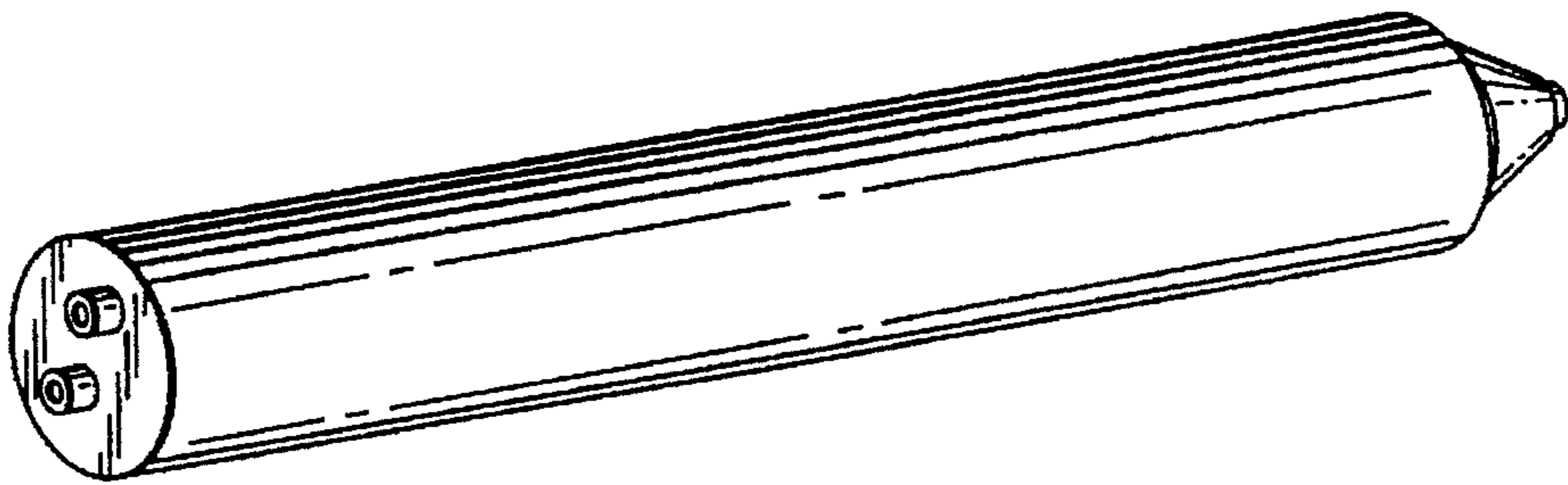


Fig. 6

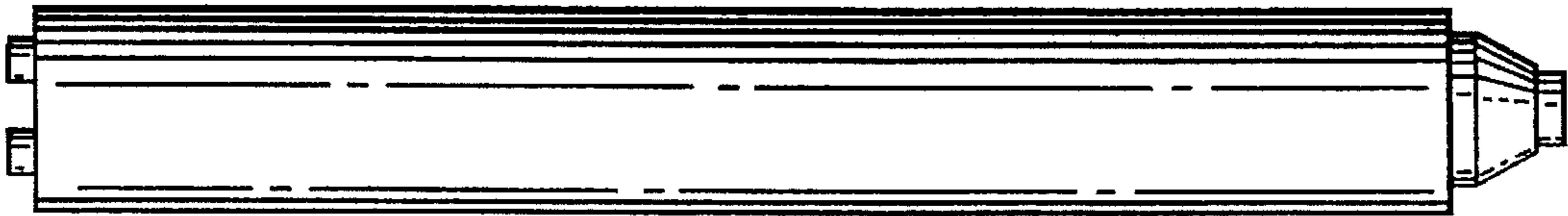


Fig. 7

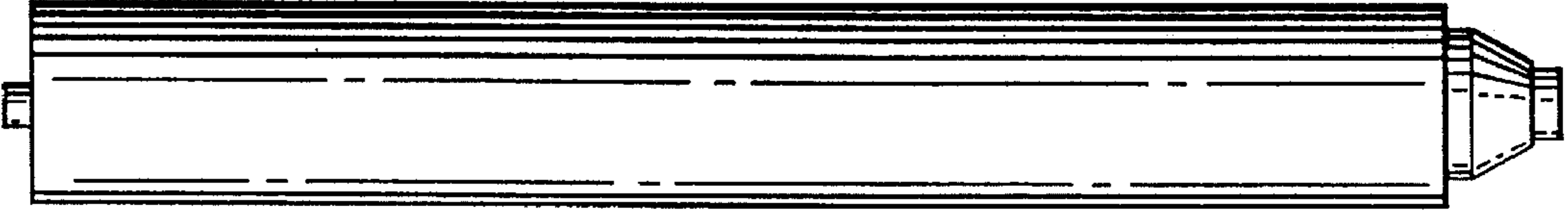


Fig. 8

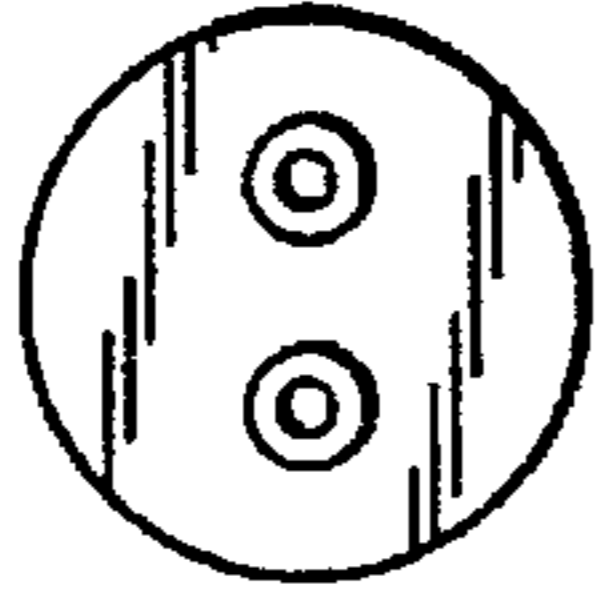


Fig. 9

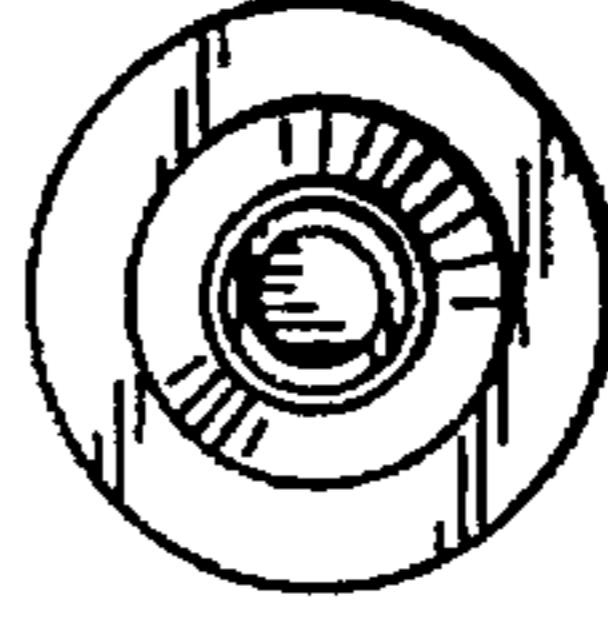


Fig. 10

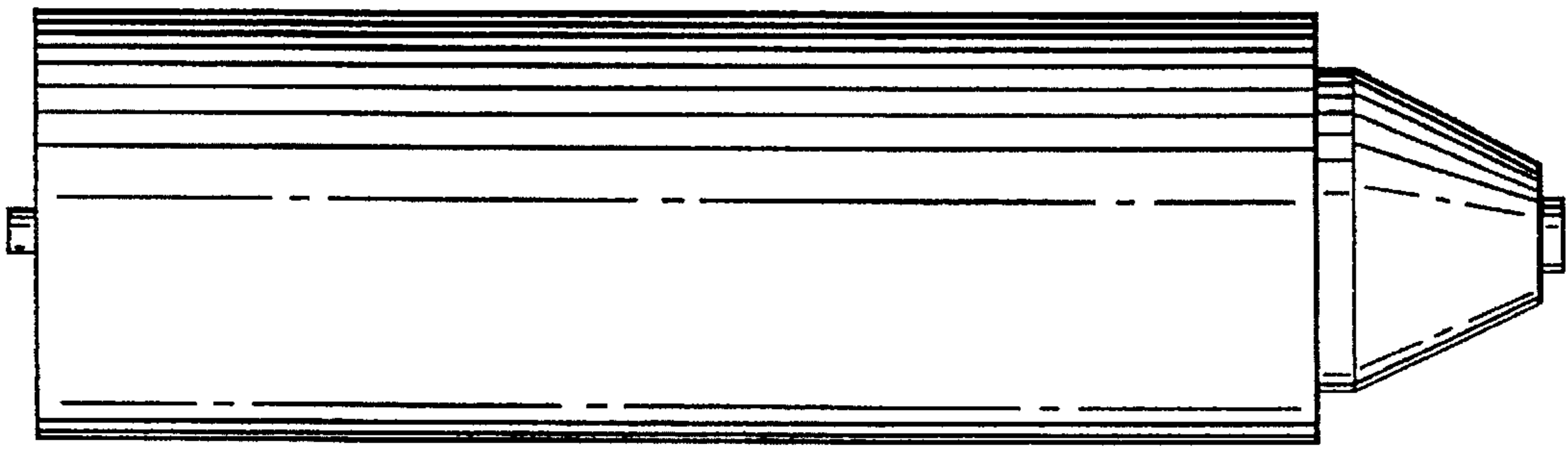


Fig. 11

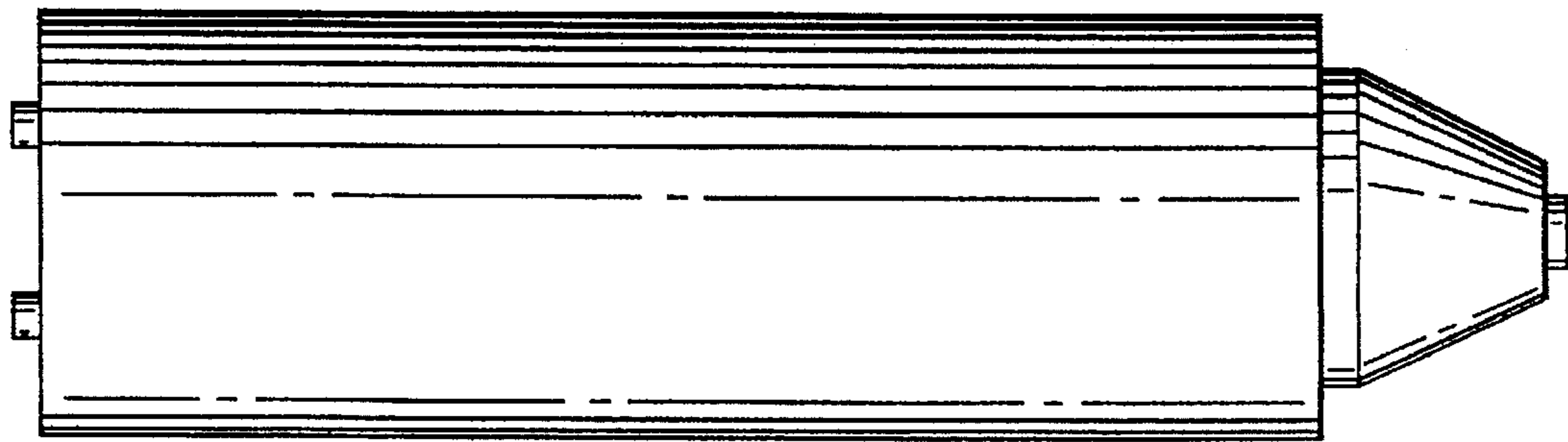


Fig. 12

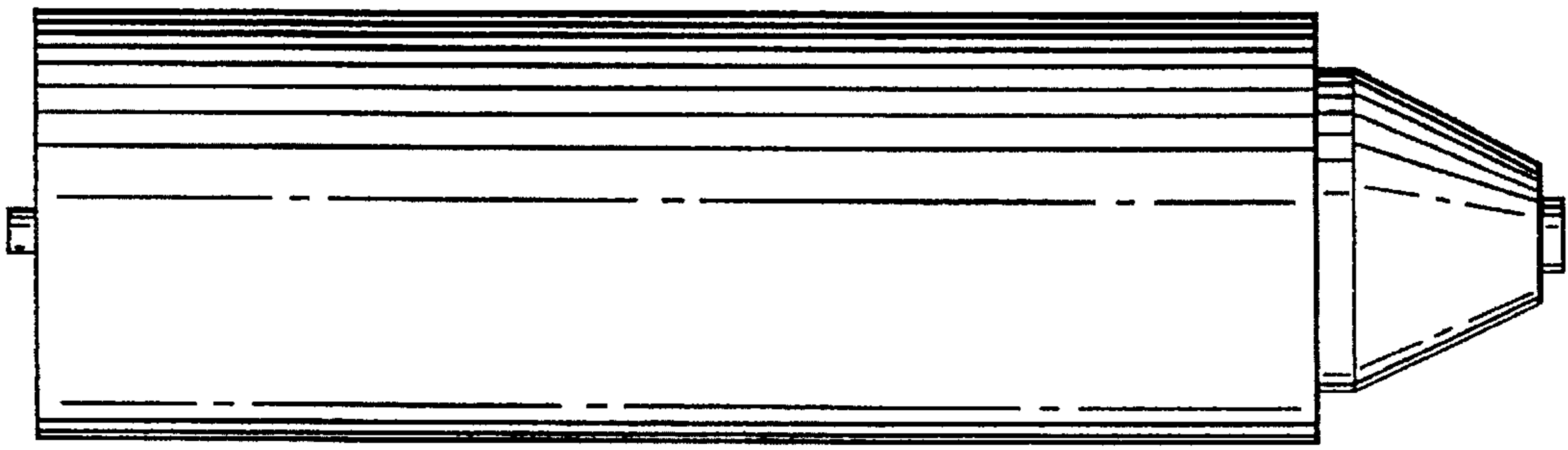


Fig. 13

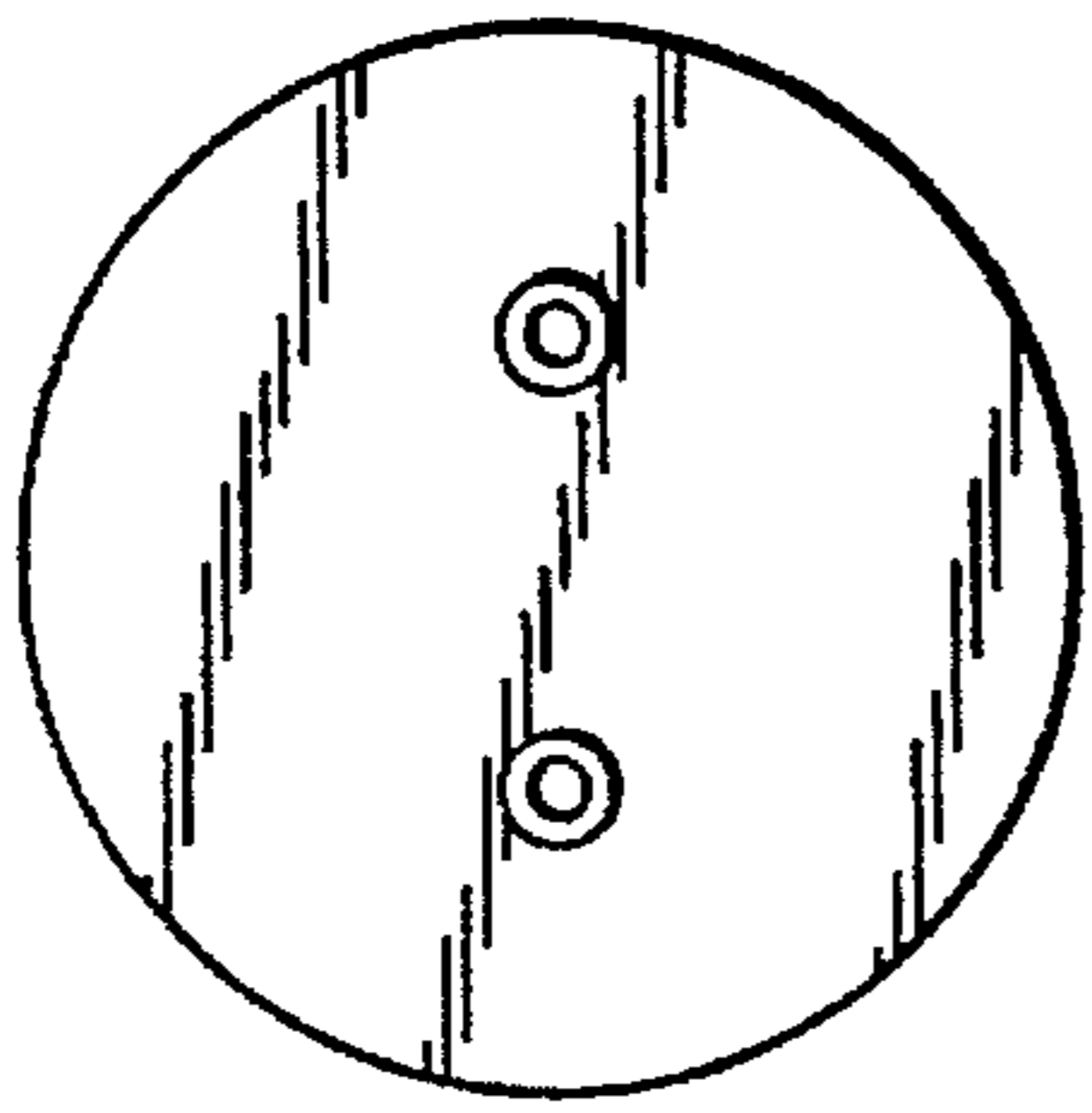


Fig. 14

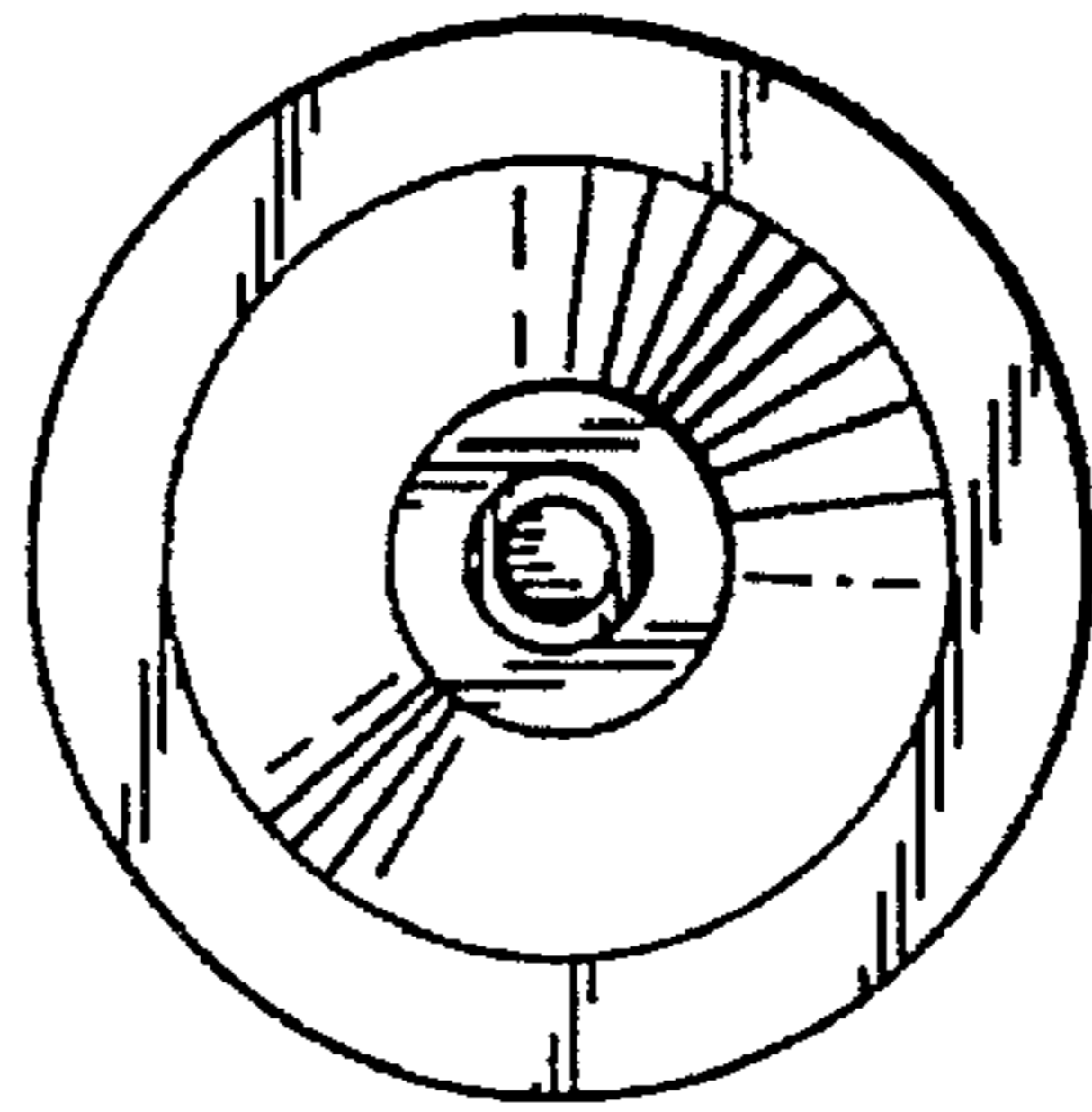


Fig. 15