



US00D379486S

United States Patent [19]

[11] Patent Number: **Des. 379,486**

Mariol

[45] Date of Patent: ****May 27, 1997**

[54] **MOBILE ARM ATTACHMENT FOR PORTABLE PLAYYARDS**

5,163,828 11/1992 Coddington, Jr. 472/118
5,364,473 11/1994 Van Der Does 134/8
5,449,323 9/1995 Melton 472/118

[76] Inventor: **John V. Mariol**, 7746 Beechmont Ave., Cincinnati, Ohio 45255

Primary Examiner—Philip S. Hyder
Assistant Examiner—Mitchell I. Siegel

[**] Term: **14 Years**

[57] **CLAIM**

[21] Appl. No.: **46,356**

The ornamental design for a mobile arm attachment for portable playyards, as shown and described.

[22] Filed: **Nov. 13, 1995**

DESCRIPTION

[51] LOC (6) Cl. **21-03**

[52] U.S. Cl. **D21/242**

[58] Field of Search D21/240-245;
472/118; 482/33, 35, 36, 39

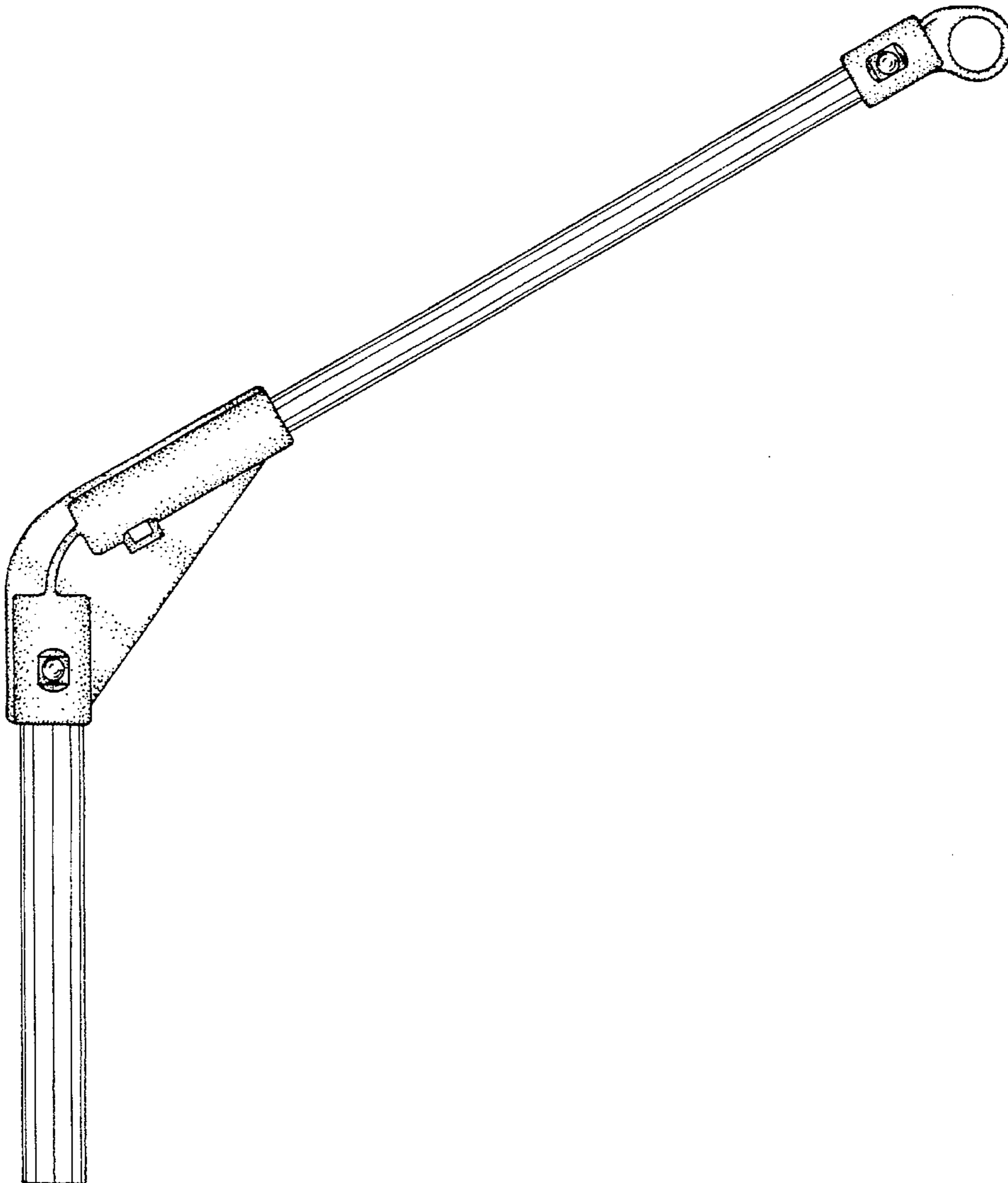
FIG. 1 is a left side view of the mobile arm attachment for portable playyards showing the design of my invention; FIG. 2 is a top plan view thereof; FIG. 3 is a right side view thereof; FIG. 4 is a bottom view thereof; FIG. 5 is a front view thereof; and, FIG. 6 is a rear view thereof.

[56] **References Cited**

U.S. PATENT DOCUMENTS

D. 265,577 7/1982 Harmon D21/240
D. 277,741 2/1985 Arvai D21/240 X
3,601,397 8/1971 Carlin et al. 482/36

1 Claim, 3 Drawing Sheets



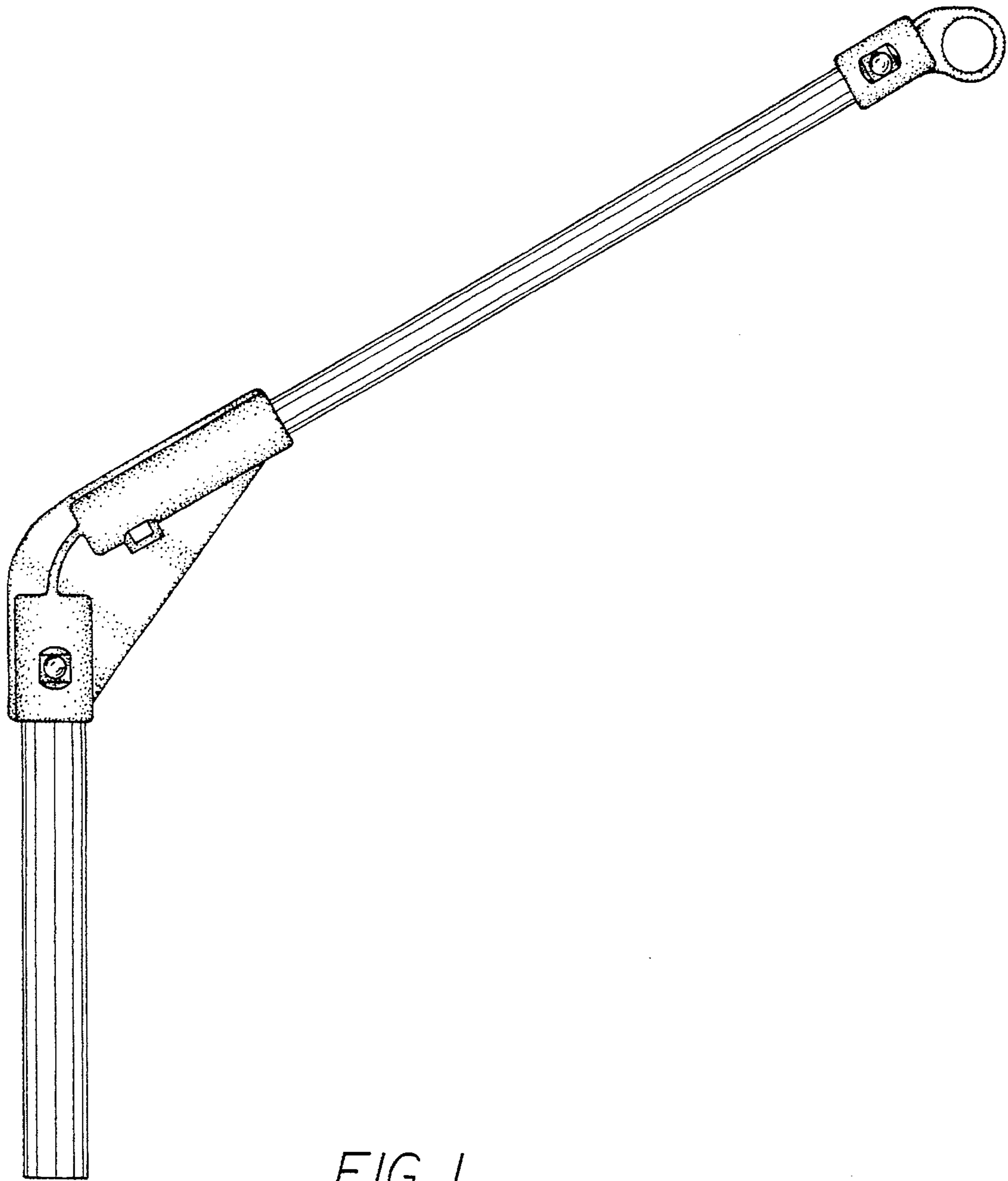


FIG. 1

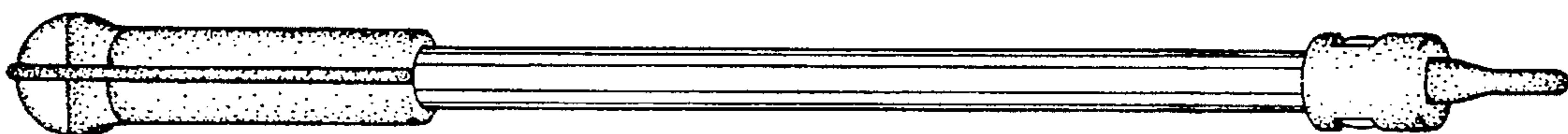


FIG. 2

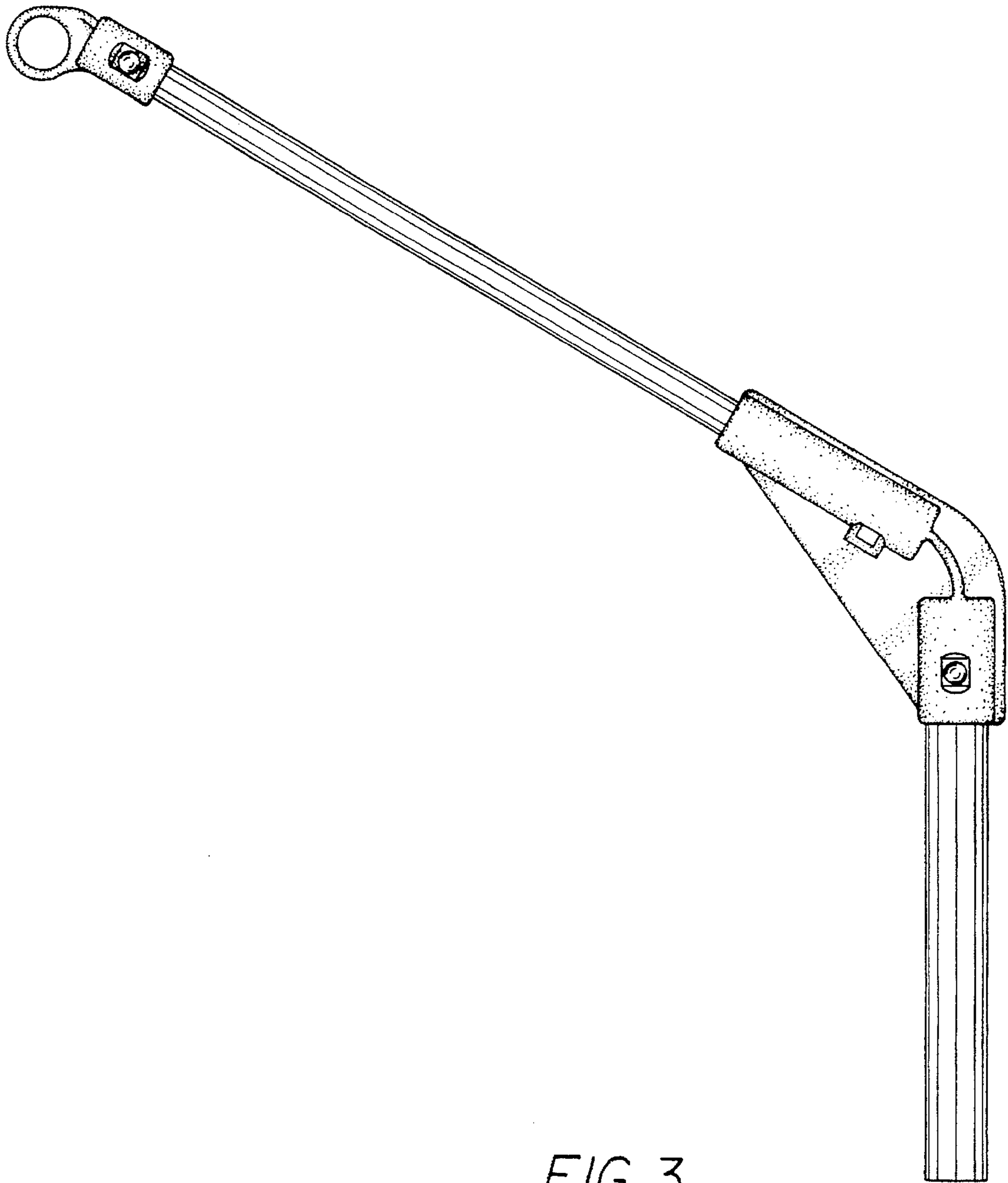


FIG. 3

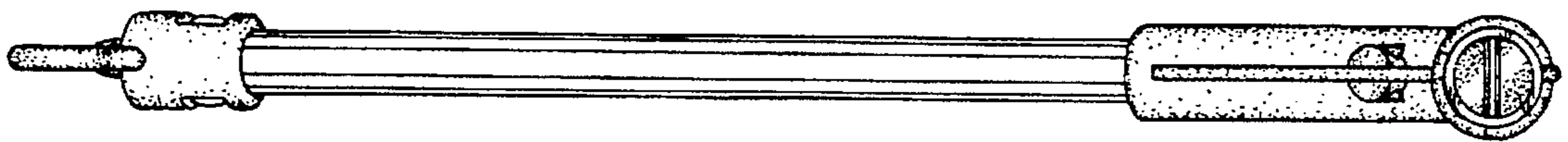


FIG. 4

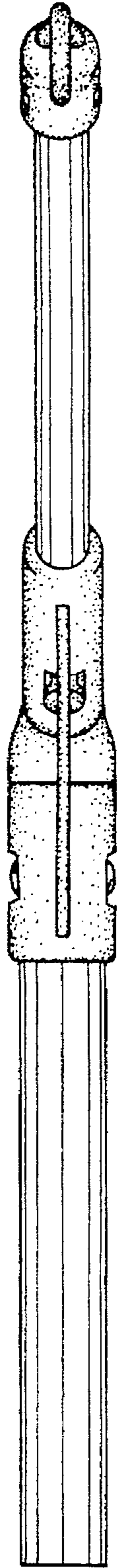


FIG. 5

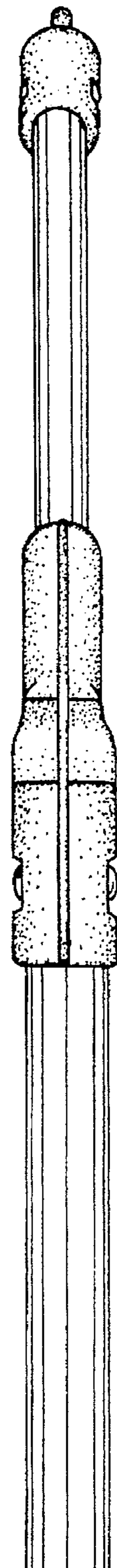


FIG. 6