



US00D379484S

United States Patent [19] Solheim

[11] Patent Number: **Des. 379,484**

[45] Date of Patent: ****May 27, 1997**

[54] **GOLF PUTTER HEAD**

[75] Inventor: **Karsten Solheim**, Phoenix, Ariz.

[73] Assignee: **Karsten Manufacturing Corporation**, Phoenix, Ariz.

[**] Term: **14 Years**

[21] Appl. No.: **52,175**

[22] Filed: **Mar. 25, 1996**

[51] LOC (6) Cl. **21-02**

[52] U.S. Cl. **D21/217**

[58] Field of Search D21/217-219;
473/340, 341, 251-256

[56] **References Cited**

U.S. PATENT DOCUMENTS

| | | | |
|------------|--------|------------------|---------|
| D. 234,960 | 4/1975 | Swash . | |
| D. 235,668 | 7/1975 | Swash . | |
| D. 244,303 | 5/1977 | Cabot . | |
| D. 245,439 | 8/1977 | Thiel . | |
| D. 257,869 | 1/1981 | MacDougall | D21/219 |
| D. 257,870 | 1/1981 | MacDougall | D21/219 |
| D. 257,871 | 1/1981 | MacDougall | D21/219 |
| D. 268,691 | 4/1983 | Collins | D21/217 |

| | | | |
|------------|--------|----------------|---------|
| D. 303,276 | 9/1989 | Oakleaf | D21/219 |
| D. 318,702 | 7/1991 | Igarashi | D21/219 |

Primary Examiner—Ted Shooman
Assistant Examiner—Mitchell I. Siegel
Attorney, Agent, or Firm—Darrell F. Marquette; Herbert E. Haynes, Jr.

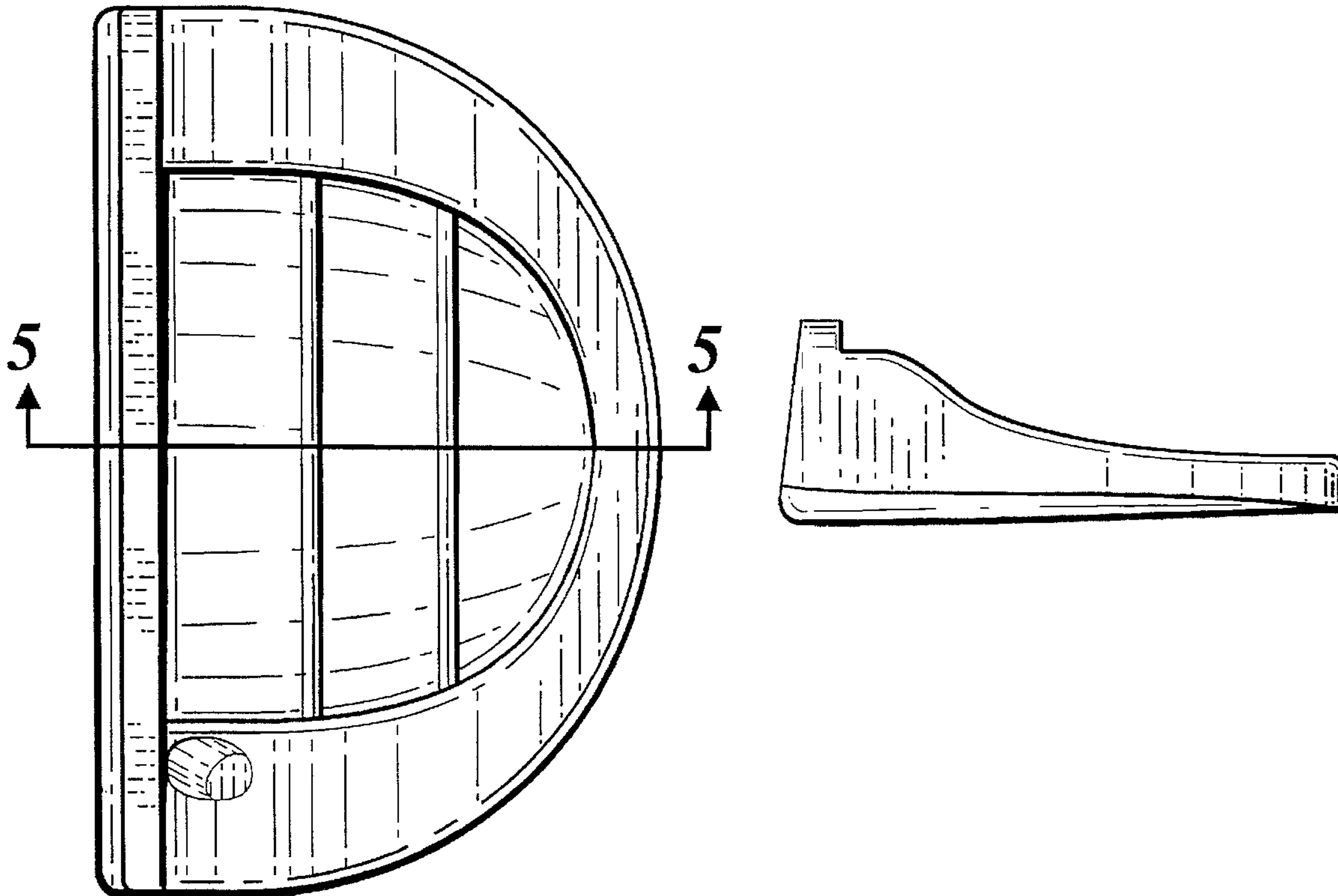
[57] **CLAIM**

The ornamental design for a golf putter head, as shown and described.

DESCRIPTION

FIG. 1 is a top plan view of a golf putter head showing my new design;
FIG. 2 is an end elevational view of the golf putter head;
FIG. 3 is a rear elevational view of the golf putter head taken from the right in FIG. 1;
FIG. 4 is a front elevational view of the golf putter head taken from the left in FIG. 1;
FIG. 5 is a cross-sectional view taken along the lines 5—5 in FIG. 1; and,
FIG. 6 is a bottom plan view of the golf putter head.
The opposite end elevational view of the golf putter head is a mirror image of FIG. 2.

1 Claim, 1 Drawing Sheet



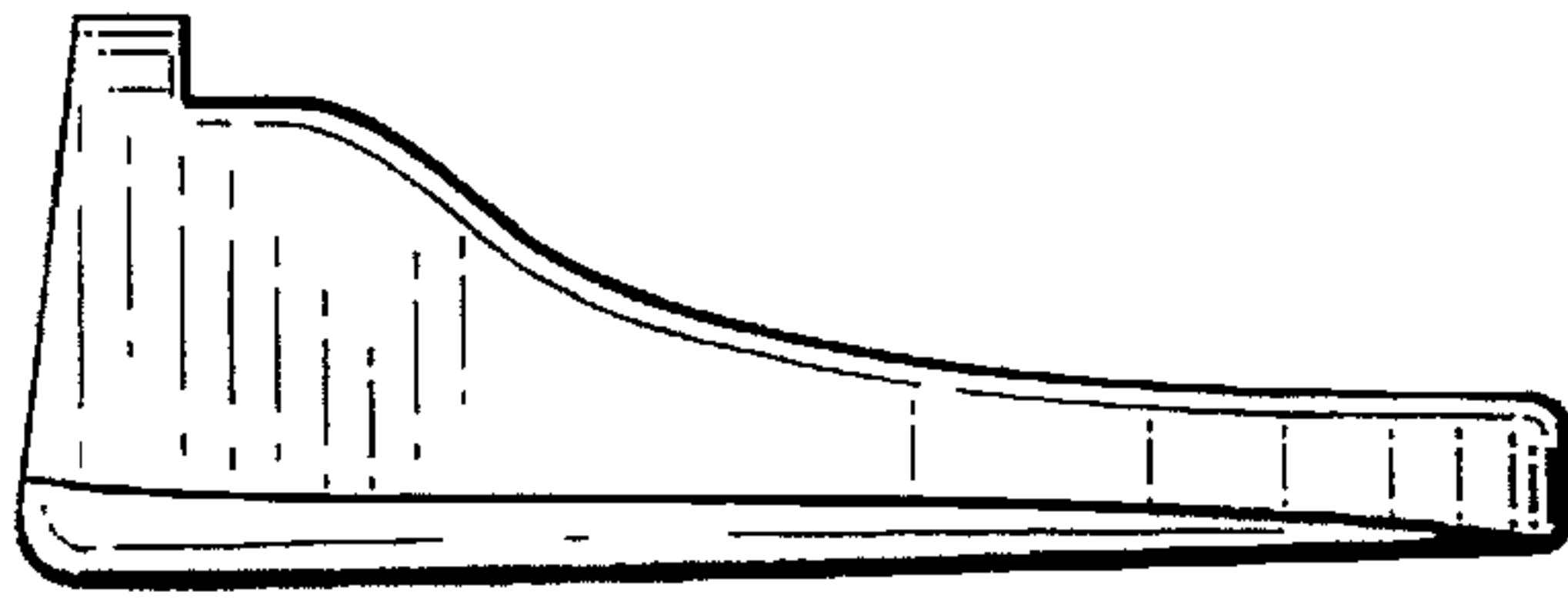


Fig. 2

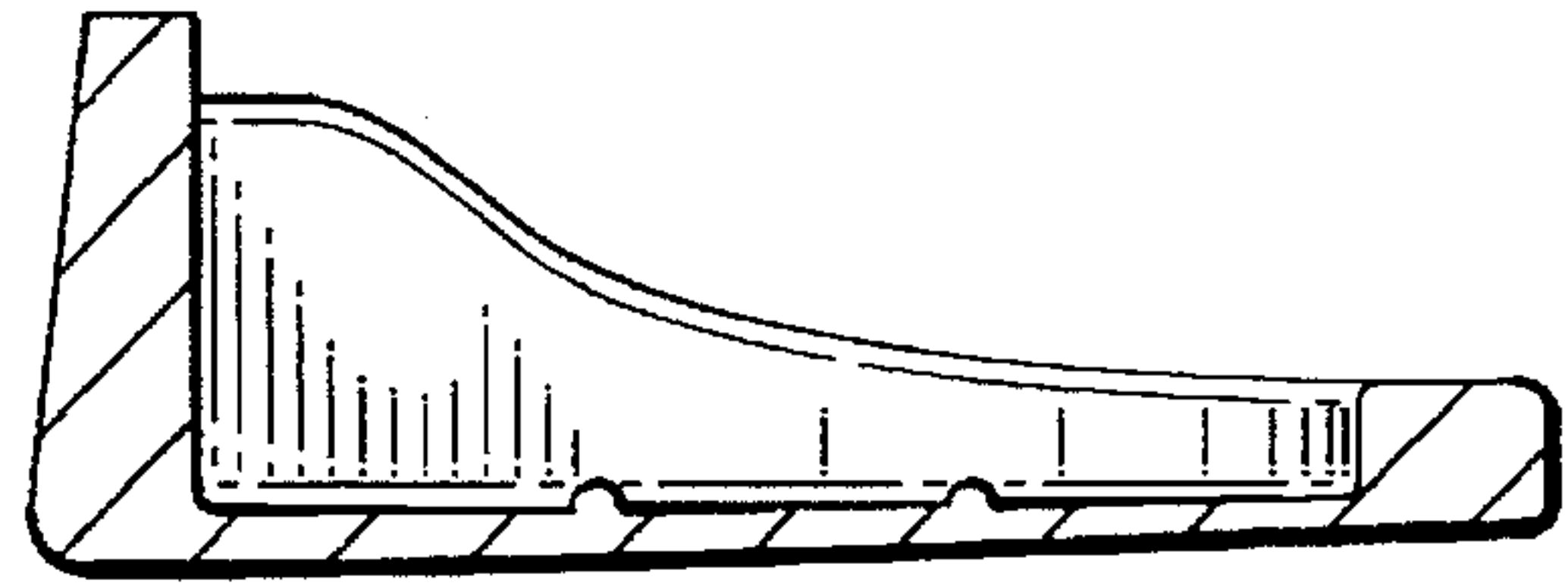


Fig. 5

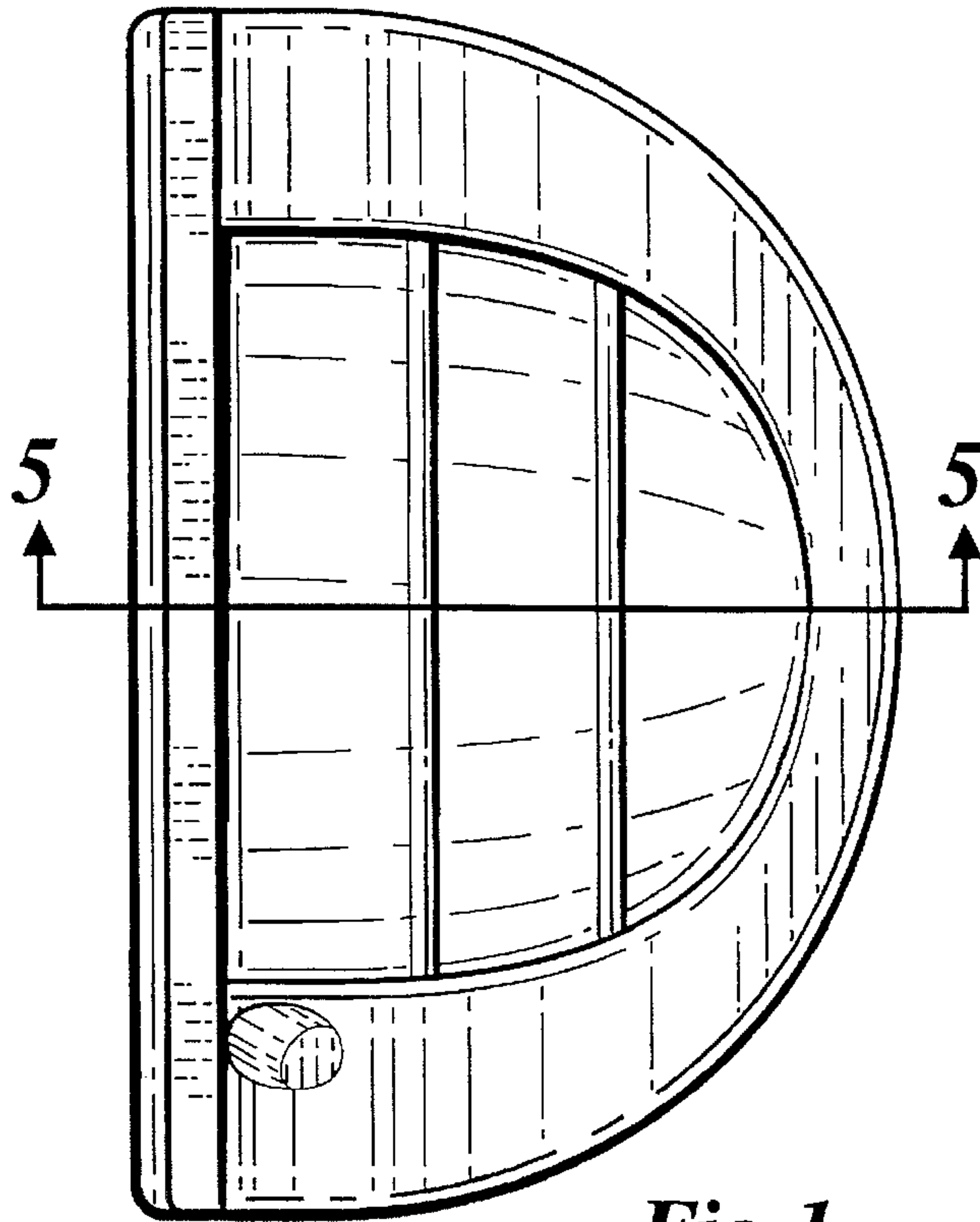


Fig. 1

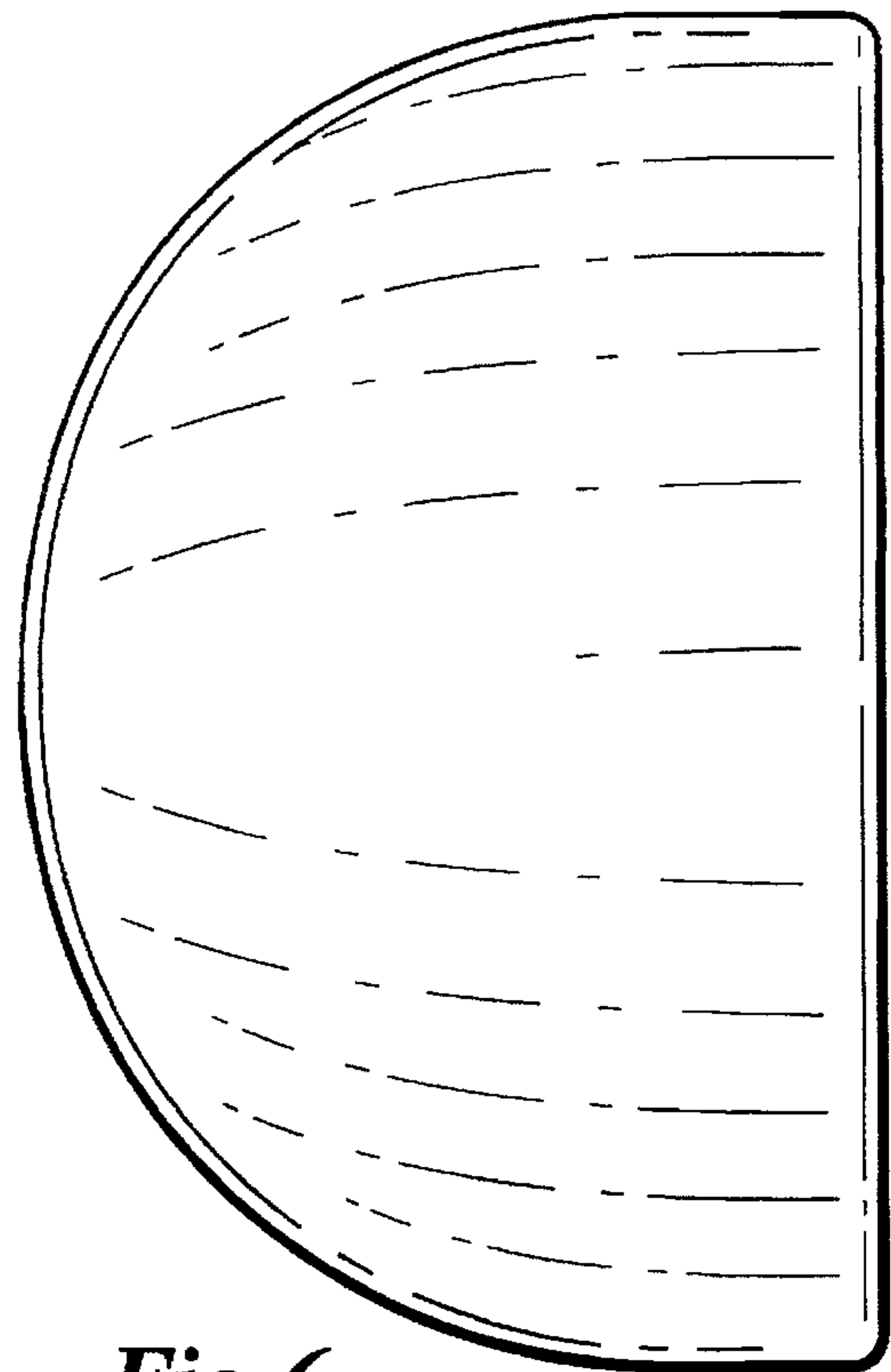


Fig. 6

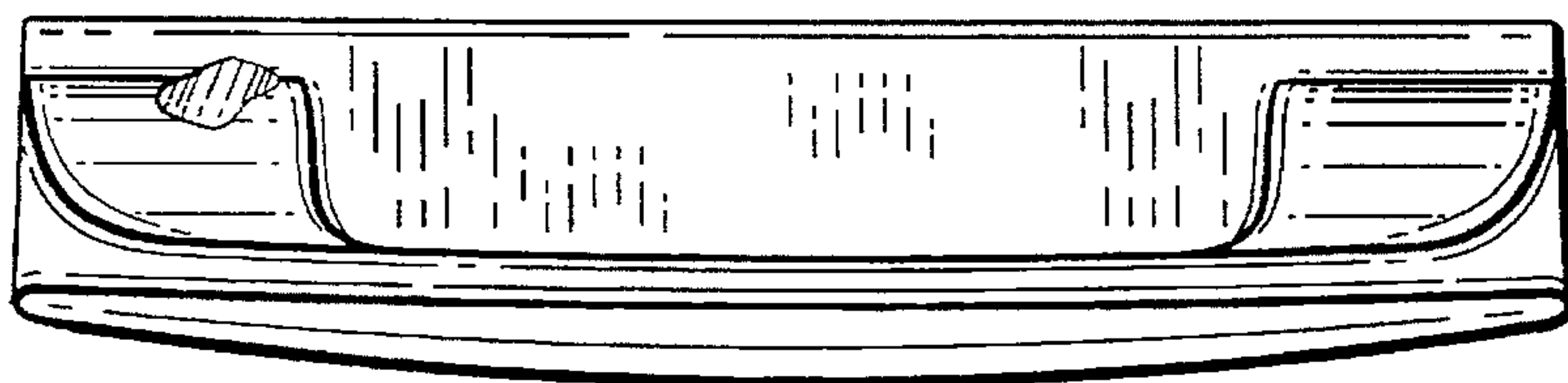


Fig. 3

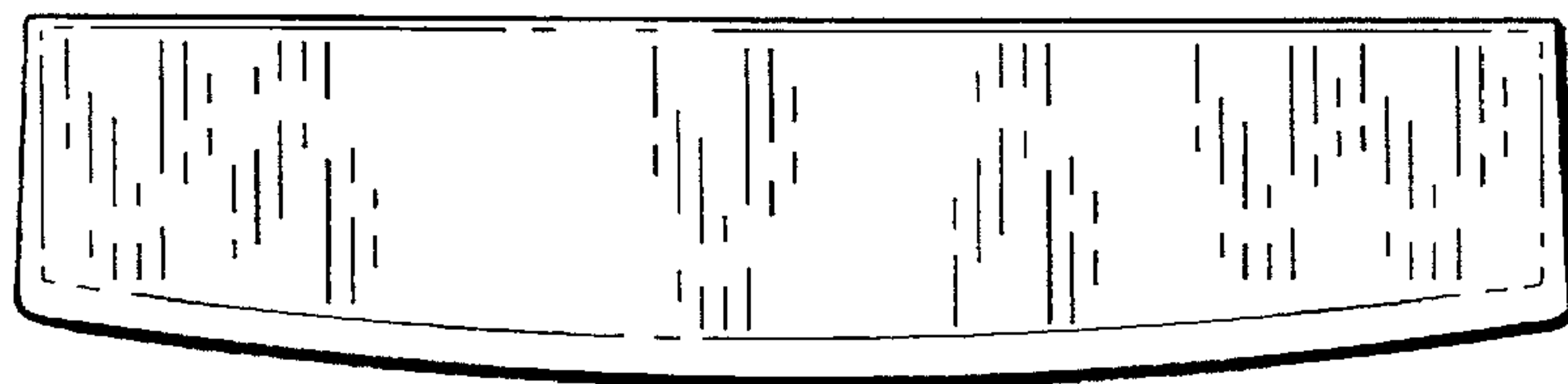


Fig. 4