



US00D379483S

United States Patent [19]

England et al.

[11] Patent Number: **Des. 379,483**

[45] Date of Patent: ****May 27, 1997**

[54] **COMBINATION ABDOMINAL AND BACK EXERCISER**

[75] Inventors: **James L. England**, Auburn, Ala.; **Gary T. Fox**, Winona, Tex.; **Mark G. Hecox**; **Randal S. Kretzler**, both of Tyler, Tex.

[73] Assignee: **Roadmaster Corporation**, Olney, Ill.

[**] Term: **14 Years**

[21] Appl. No.: **41,681**

[22] Filed: **Mar. 1, 1995**

Related U.S. Application Data

[63] Continuation of Ser. No. 31,721, Dec. 5, 1994, abandoned.

[51] LOC (6) Cl. **21-02**

[52] U.S. Cl. **D21/195**

[58] Field of Search D21/191, 195; 482/95, 97, 121, 129, 130, 137, 138, 142

[56] References Cited

U.S. PATENT DOCUMENTS

- D. 263,978 4/1982 Brentham .
- D. 281,712 12/1985 Stedman .
- D. 300,337 3/1989 Brentham .
- D. 335,511 5/1993 Engel et al. .
- D. 337,361 7/1993 Engel et al. .
- D. 344,993 3/1994 Laratta .
- D. 349,140 7/1994 Rockwell D21/195
- D. 357,954 5/1995 Lee D21/195
- D. 359,325 6/1995 Gerschevske et al. D21/195
- 2,855,199 10/1958 Noland et al. .
- 3,336,021 8/1967 Kramer .
- 3,545,737 12/1970 Lamprey .
- 3,976,058 8/1976 Tidwell .
- 4,023,795 5/1977 Pauls .
- 4,023,798 5/1977 Pronin .
- 4,072,309 2/1978 Wilson .
- 4,171,920 10/1979 Kramer et al. .
- 4,200,279 4/1980 Lambert, Jr. .
- 4,240,626 12/1980 Lambert, Jr. .
- 4,331,496 5/1982 Orndorff, Jr. .
- 4,465,274 8/1984 Davenport .
- 4,502,681 3/1985 Blomqvist .

- 4,566,691 1/1986 Mahnke .
- 4,582,320 4/1986 Shaw .
- 4,585,359 4/1986 Kramer .
- 4,600,189 7/1986 Olschansky et al. .
- 4,600,196 7/1986 Jones .
- 4,623,144 11/1986 Rockwell .
- 4,627,619 12/1986 Rockwell et al. .
- 4,666,149 5/1987 Olschansky et al. .

(List continued on next page.)

FOREIGN PATENT DOCUMENTS

1153143 5/1969 United Kingdom .

OTHER PUBLICATIONS

Diversified Products "Fit For Life" Brochure, published by Diversified Products, Dec. 1991, 6 pages.

Primary Examiner—Philip S. Hyder

Attorney, Agent, or Firm—Brinks Hofer Gilson & Lione

[57] CLAIM

The ornamental design for a combination abdominal and back exerciser, as shown and described.

DESCRIPTION

FIG. 1 is a right, front perspective view of a combination abdominal and back exerciser showing our new design with the pivot arm member in a first position;

FIG. 2 is a right side elevational view thereof;

FIG. 3 is a left side elevational view thereof;

FIG. 4 is a front elevational view thereof;

FIG. 5 is a back elevational view thereof;

FIG. 6 is a top plan view thereof;

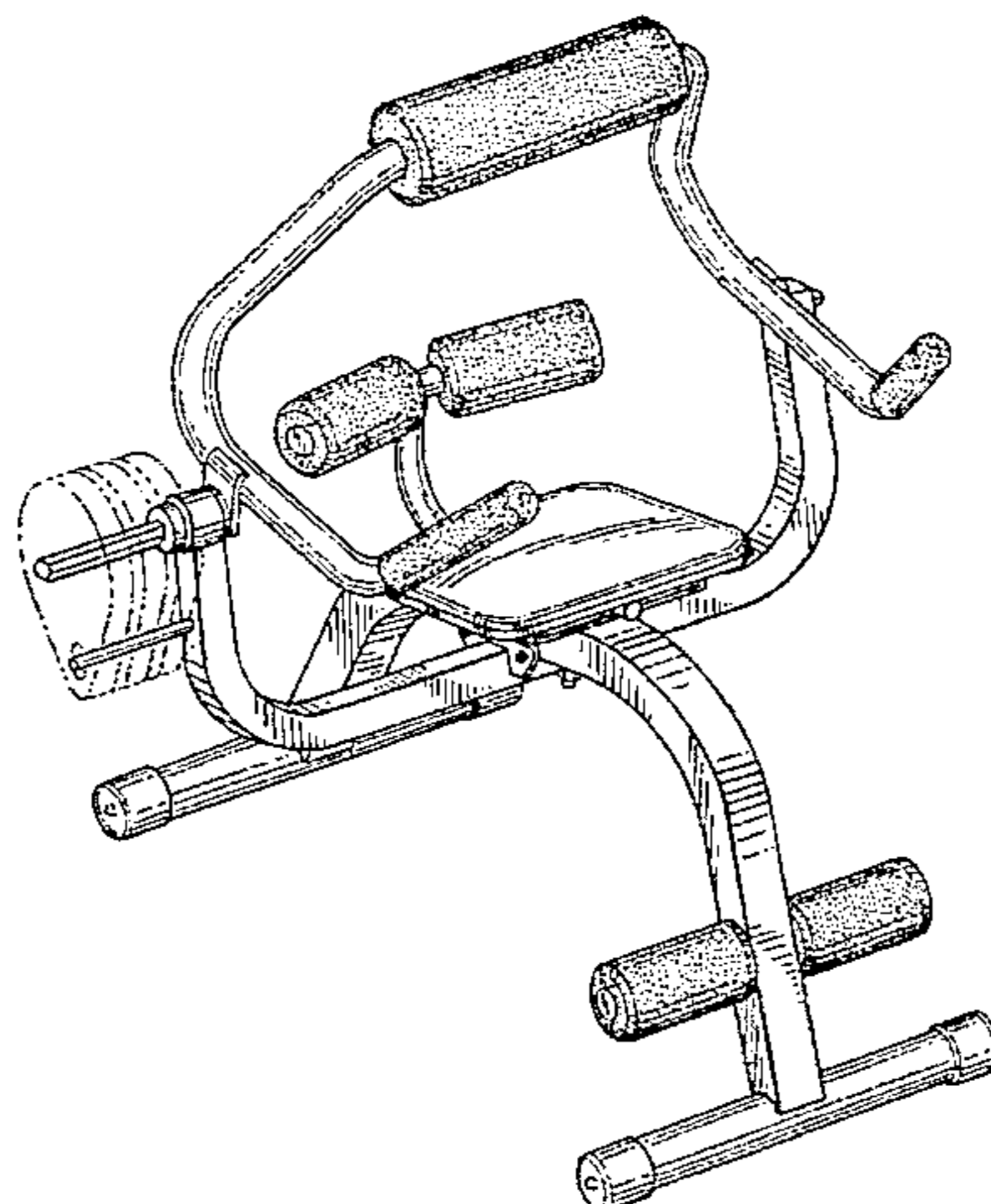
FIG. 7 is bottom plan view thereof;

FIG. 8 is a right side view of the combination abdominal and back exerciser showing the pivot arm member in an alternate position;

FIG. 9 is a left side view of the combination abdominal and back exerciser showing the pivot arm member in the alternate position.

The broken line showing of the resistance elements are for illustrative purposes only and forms no part of the claimed design.

1 Claim, 5 Drawing Sheets



U.S. PATENT DOCUMENTS

4,666,152	5/1987	Jones .	5,066,004	11/1991	Jones .
4,677,721	7/1987	Kramer .	5,072,929	12/1991	Peterson et al. .
4,714,220	12/1987	Hillstrom et al. .	5,090,694	2/1992	Pauls et al. .
4,728,102	3/1988	Pauls .	5,094,449	3/1992	Stearns .
4,733,860	3/1988	Steffee .	5,120,289	6/1992	Yu .
4,768,761	9/1988	Kramer .	5,122,105	6/1992	Engel et al. .
4,778,199	10/1988	Haggerty et al. .	5,129,873	7/1992	Henderson et al. .
4,796,881	1/1989	Watterson .	5,147,265	9/1992	Pauls et al. .
4,798,377	1/1989	White .	5,160,305	11/1992	Lin .
4,840,373	6/1989	Maag .	5,195,937	3/1993	Engel et al. .
4,850,586	7/1989	Horvath .	5,211,617	5/1993	Millen .
4,854,578	8/1989	Fulks .	5,217,487	6/1993	Engel et al. .
4,880,319	11/1989	Haggerty .	5,226,866	7/1993	Engel et al. .
4,902,007	2/1990	Ferrari .	5,244,446	9/1993	Engel et al. .
4,927,007	5/1990	Kramer .	5,277,684	1/1994	Harris .
4,979,736	12/1990	Maynard .	5,295,931	3/1994	Dreibelbis et al. .
4,979,737	12/1990	Kock .	5,300,005	4/1994	Wang .
5,002,271	3/1991	Gonzales .	5,302,161	4/1994	Loubert et al. .
5,007,660	4/1991	Orndorff, Jr. et al. .	5,338,277	8/1994	Yang .
5,056,779	10/1991	Webb .	5,344,376	9/1994	Bostic et al. .
5,062,633	11/1991	Engel et al. .	5,374,228	12/1994	Buisman et al. .

FIG. 1

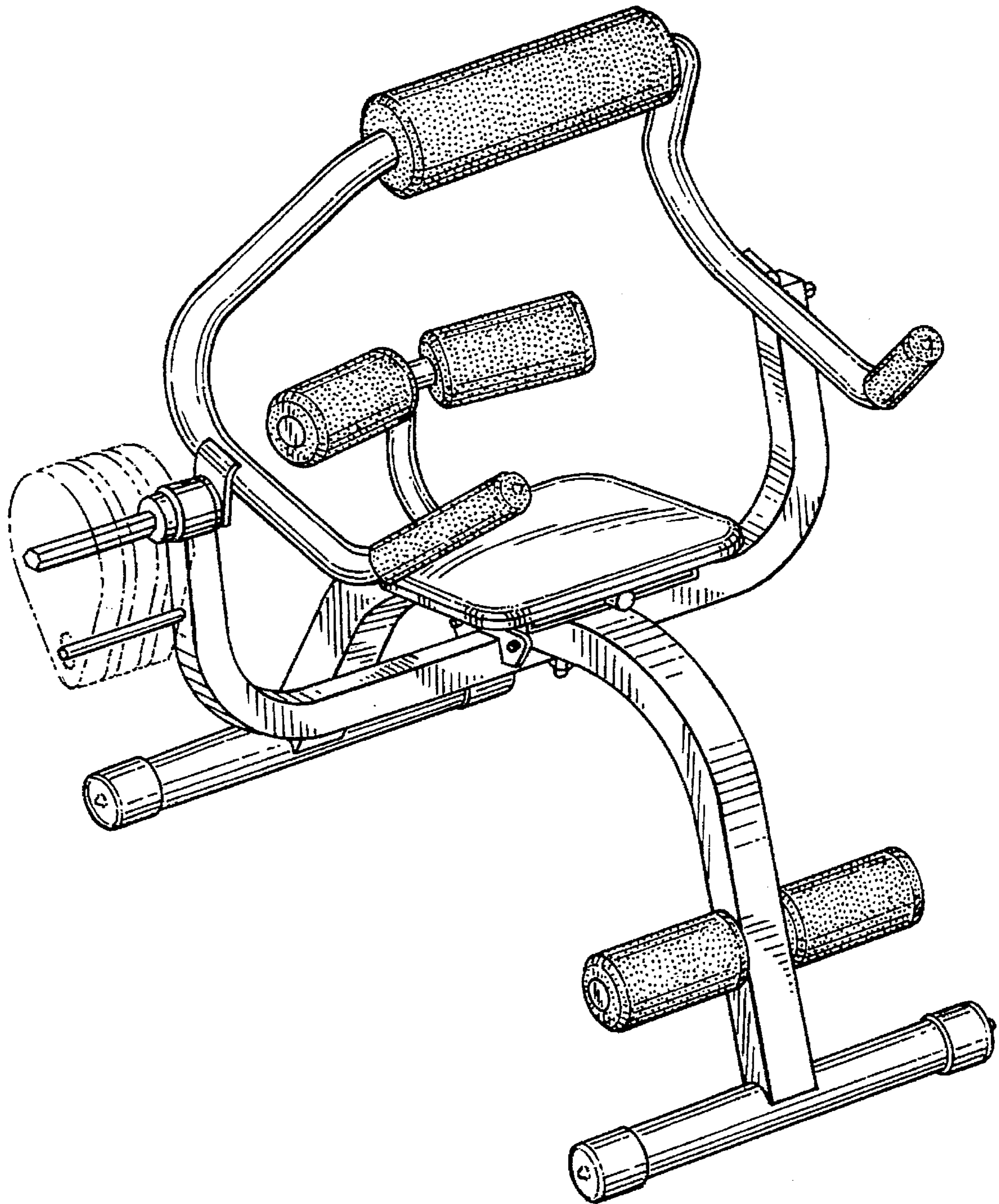


FIG. 2

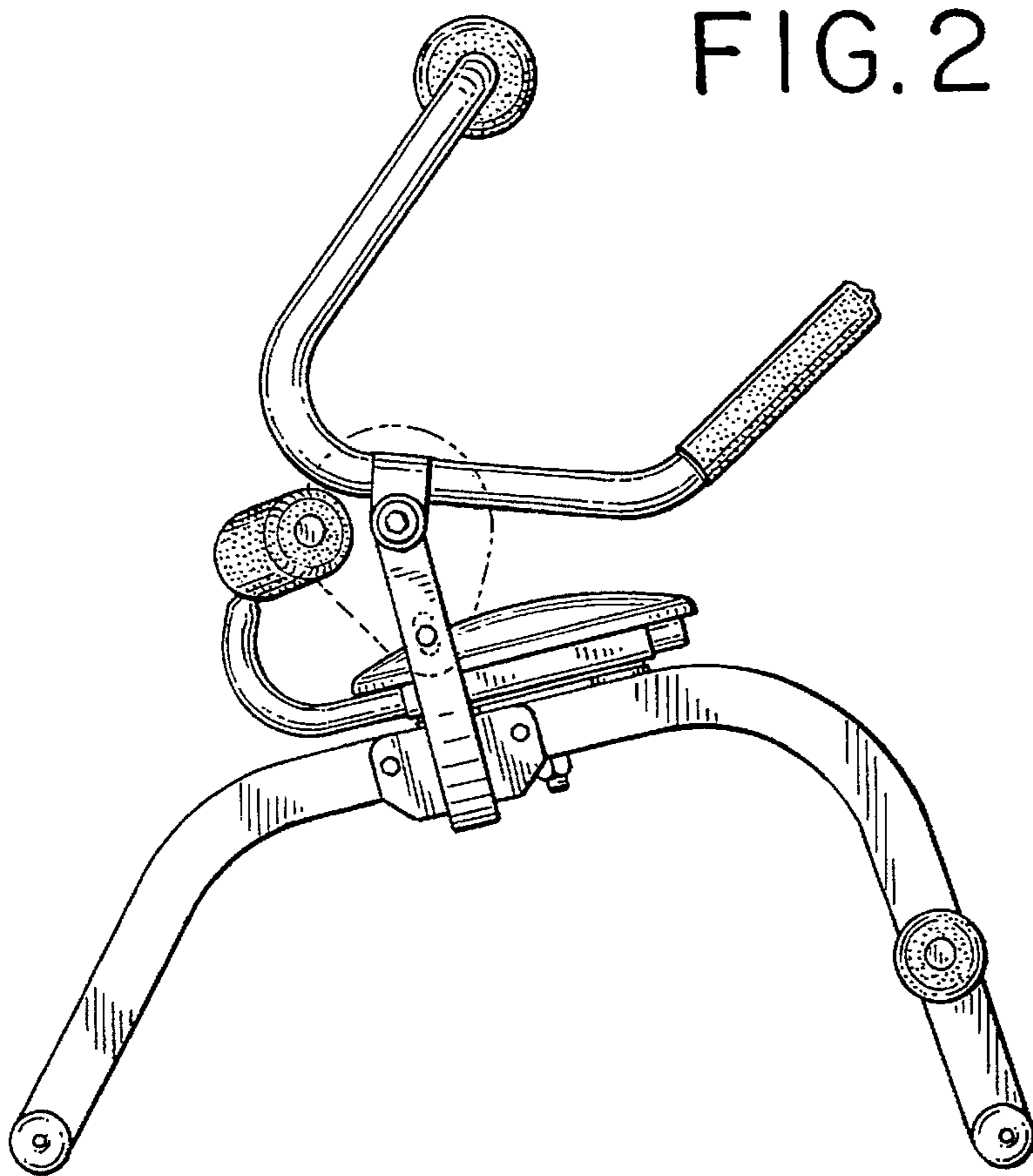


FIG. 3

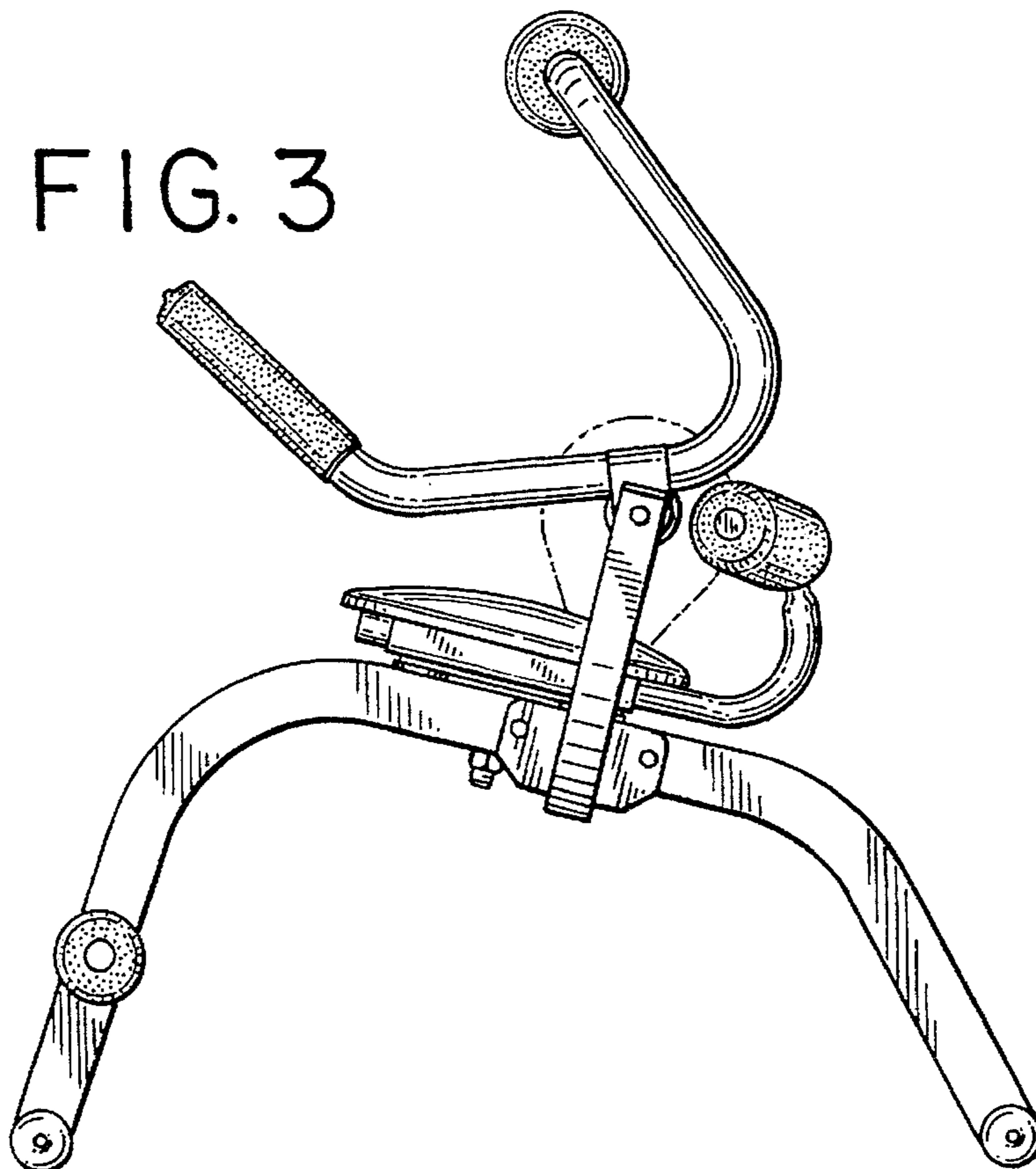


FIG. 4

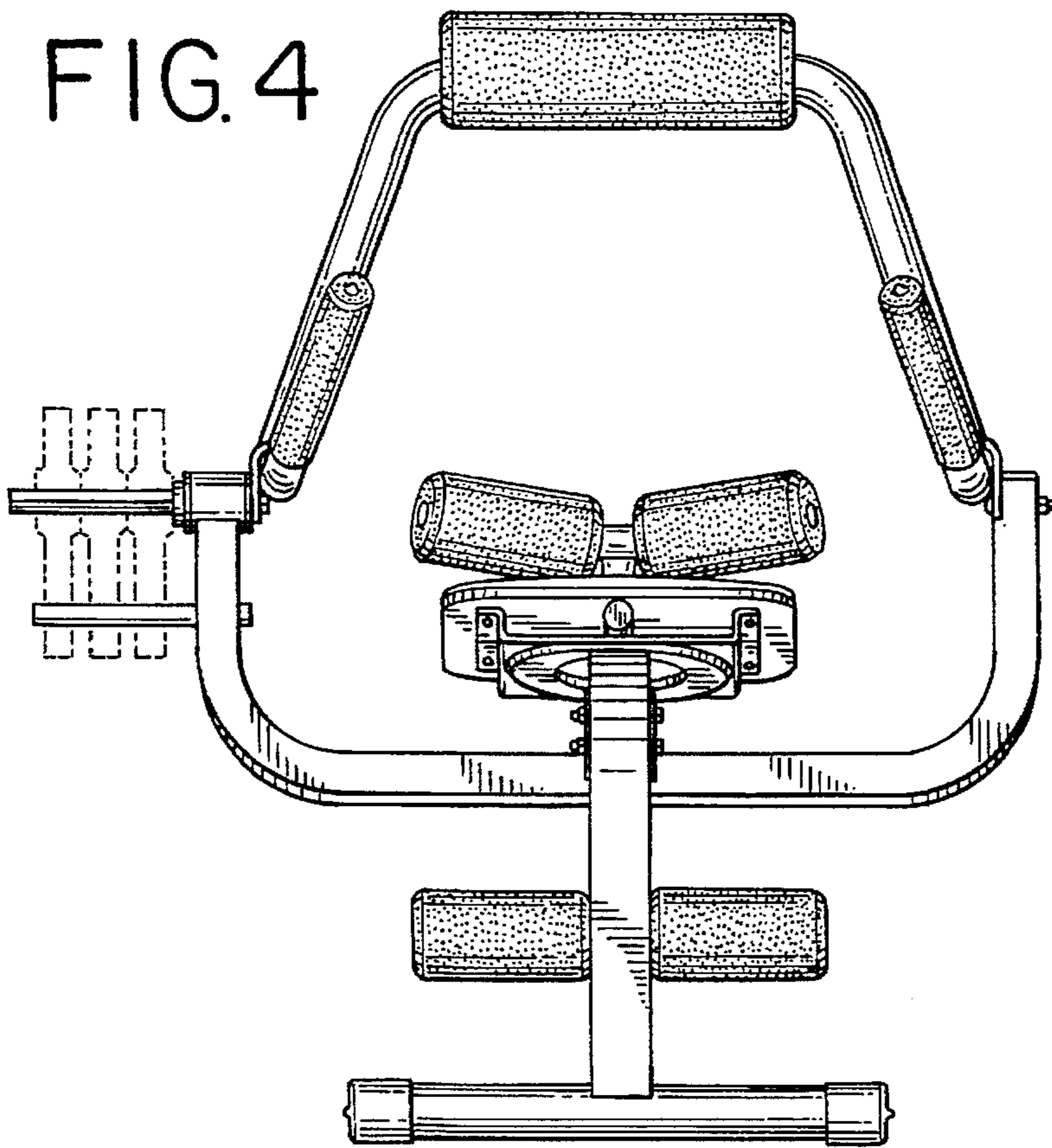


FIG. 5

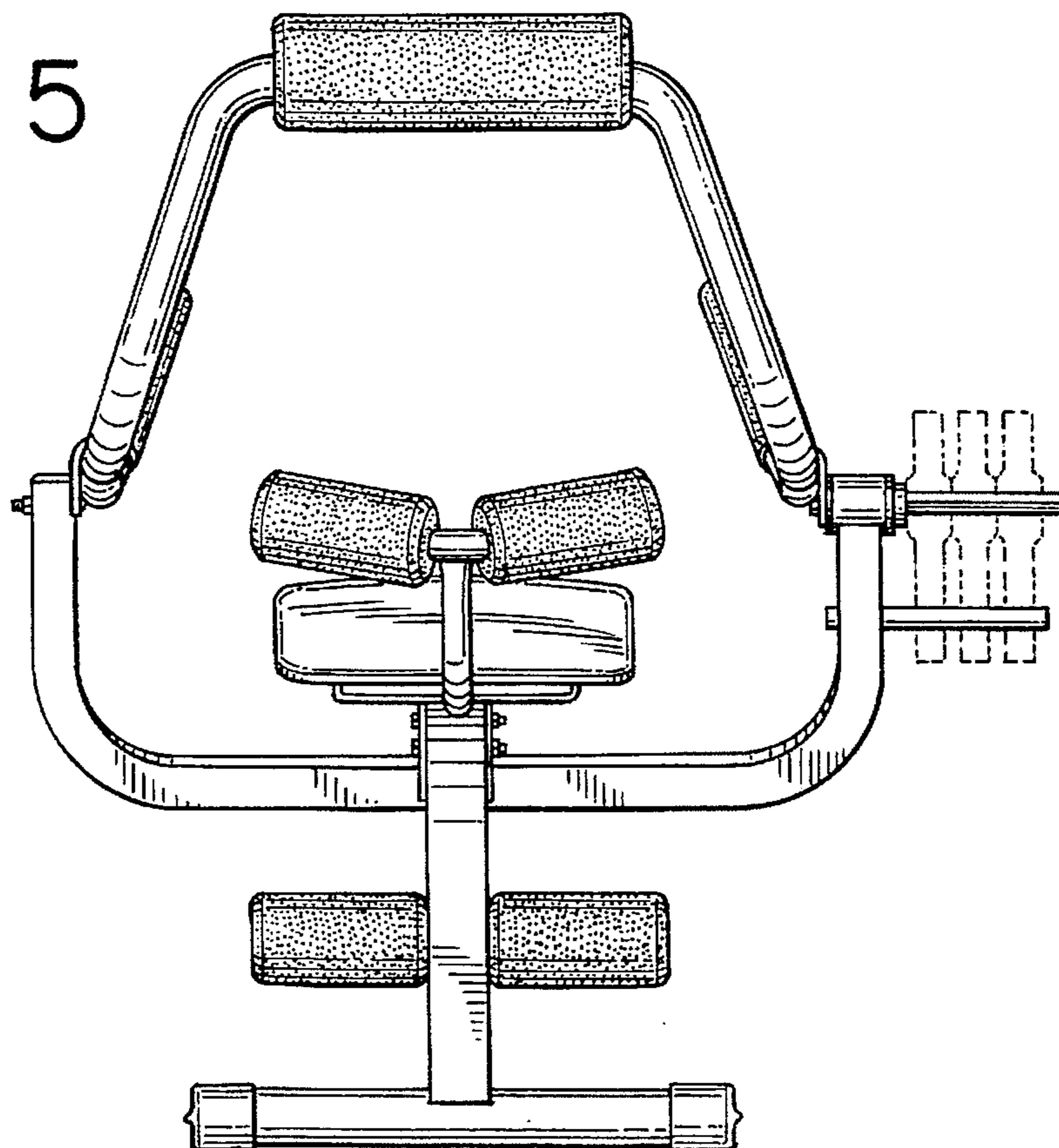


FIG. 6

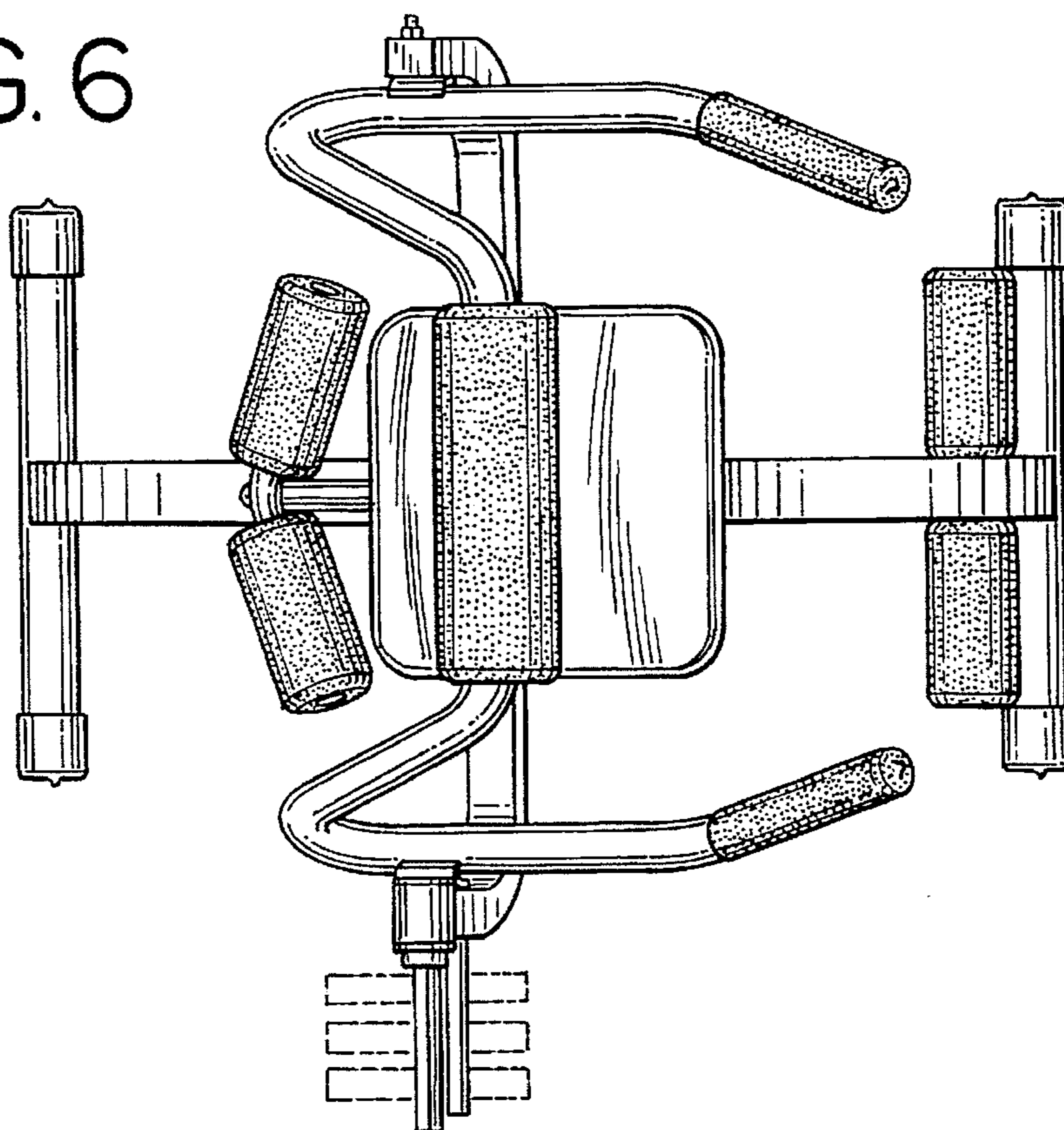


FIG. 7

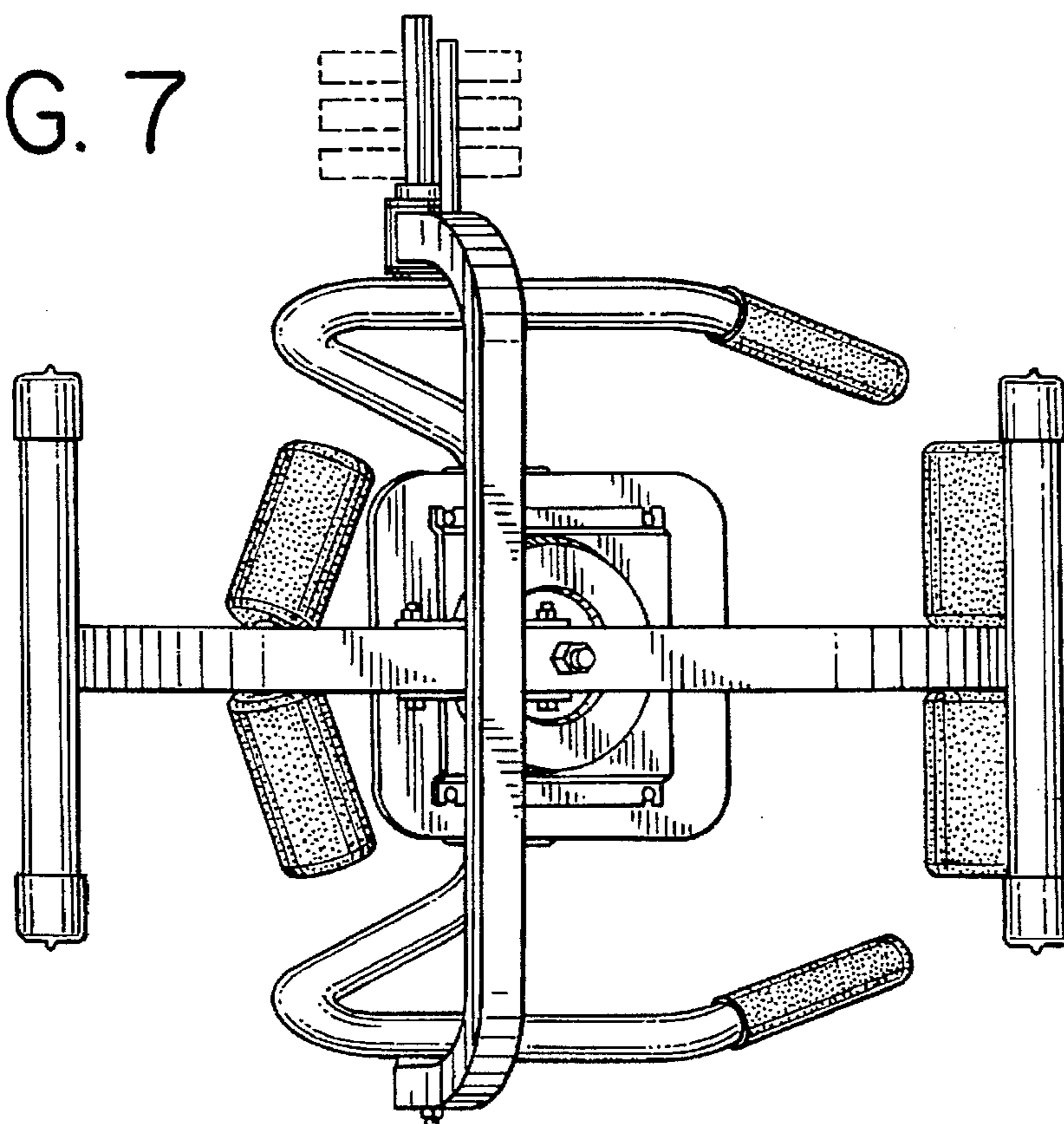


FIG. 8

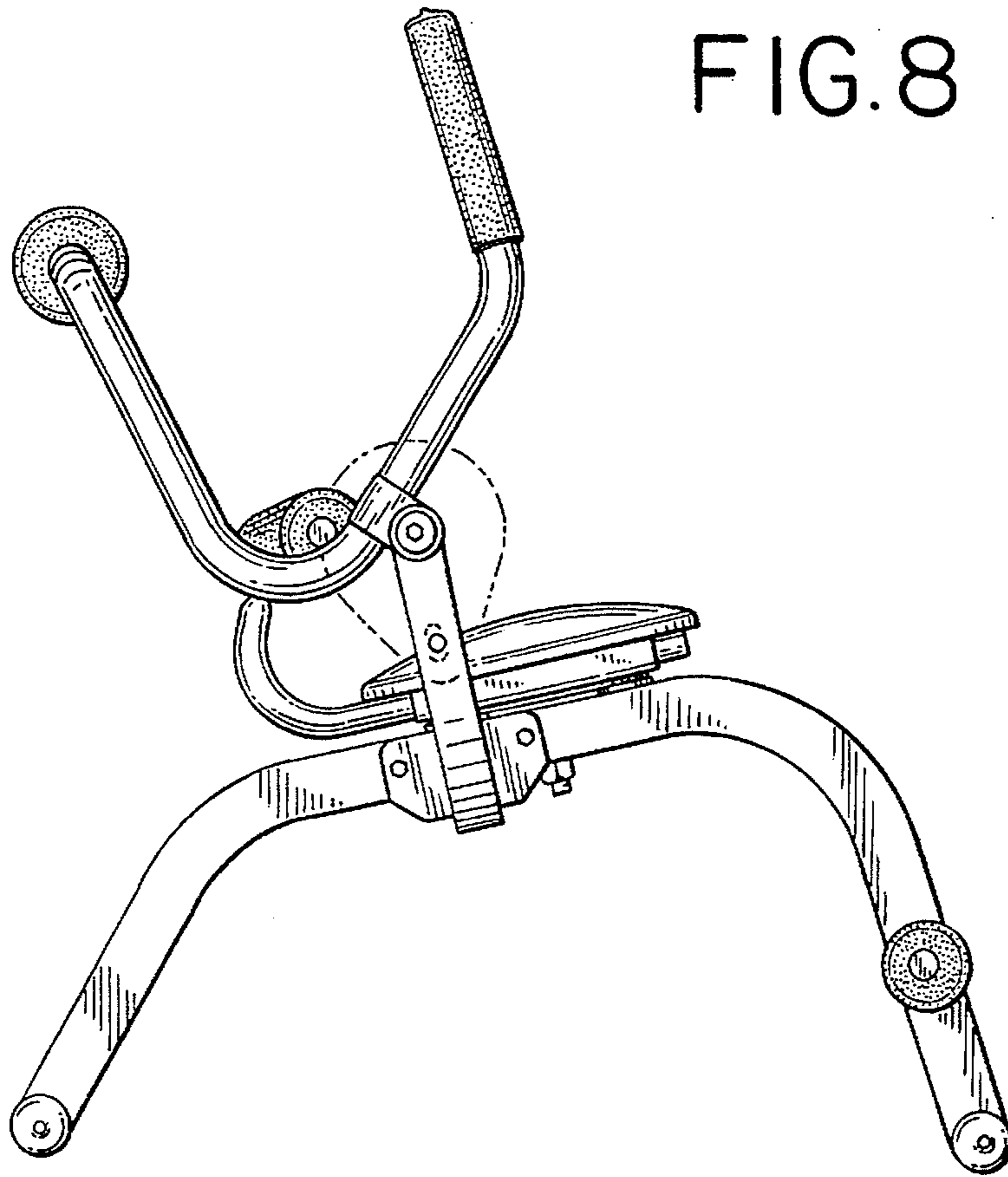


FIG. 9

