



US00D379477S

United States Patent [19] Shamoon

[11] Patent Number: **Des. 379,477**
[45] Date of Patent: ****May 27, 1997**

[54] **CLIPBOARD/STORAGE BOX**

3,977,744 8/1976 DeWitt 206/214 X

[76] Inventor: **Ellis N. Shamoon**, 2833 Park Bridge Ct., Dallas, Tex. 75219

OTHER PUBLICATIONS

[**] Term: **14 Years**

Man's World Gallery of Gifts, Sep. 11, 1967, p. 29 see clipboard/storage container, left center.
House & Garden, Sep. 1963, p. 54, see clipboard caddy—top center.

[21] Appl. No.: **54,140**

Primary Examiner—Martie Thompson
Attorney, Agent, or Firm—Daniel V. Thompson

[22] Filed: **May 7, 1996**

[51] **LOC (6) Cl.** **19-02**

[57] **CLAIM**

[52] **U.S. Cl.** **D19/88; D19/90; D19/78**

The ornamental design for an clipboard/storage box, as shown and described.

[58] **Field of Search** D19/20, 65, 52, D19/75, 78, 86, 88, 90, 91, 92, 99, 100; 248/441.1, 442.2, 451, 452; 206/214, 371; 40/371; 312/231

DESCRIPTION

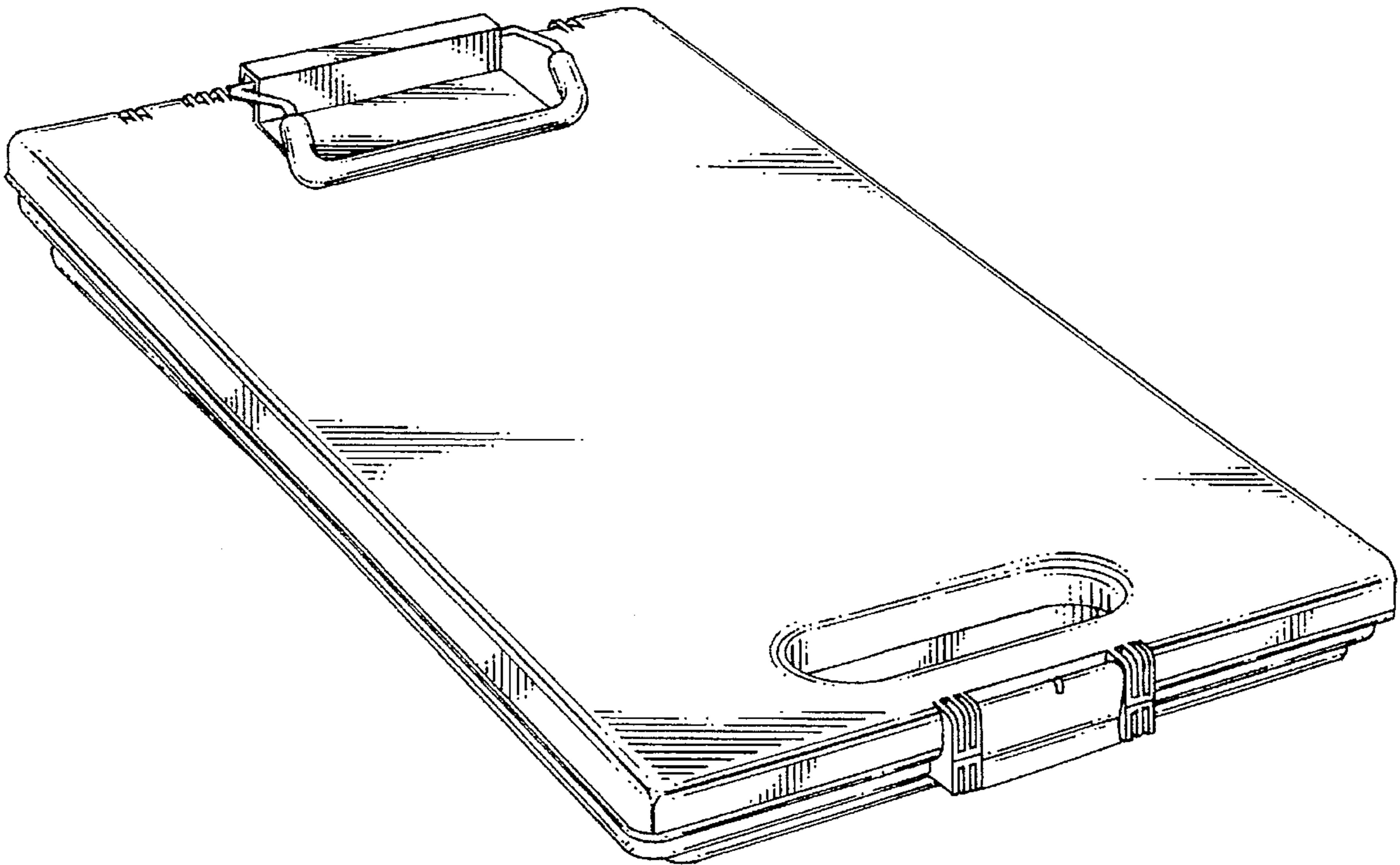
[56] References Cited

U.S. PATENT DOCUMENTS

D. 255,251	6/1980	Hansen et al.	D19/88
D. 261,903	11/1981	Mulder	D19/88
D. 313,819	1/1991	Craft, Jr. et al.	D19/88
D. 353,399	12/1994	Dodge	D19/88
D. 366,501	1/1996	Shamoon	D19/65 X

FIG. 1 is a perspective view;
FIG. 2 is a side view;
FIG. 3 is a top view;
FIG. 4 is an end view;
FIG. 5 is an end view like FIG. 4 except rotated 180 degrees;
FIG. 6 is a bottom view; and,
FIG. 7 is a side view like FIG. 2 except rotated 180 degrees.

1 Claim, 3 Drawing Sheets



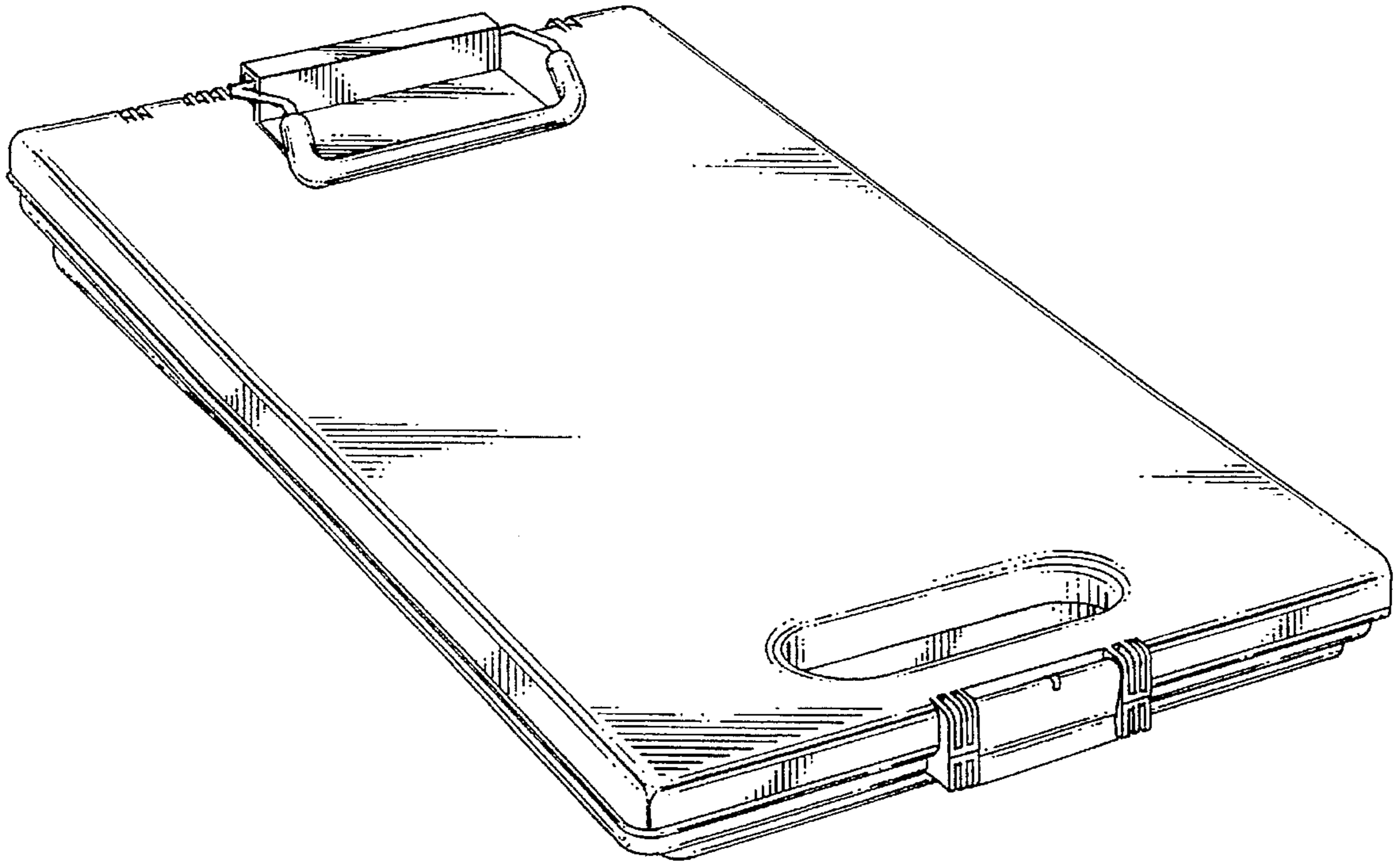


FIG. 1

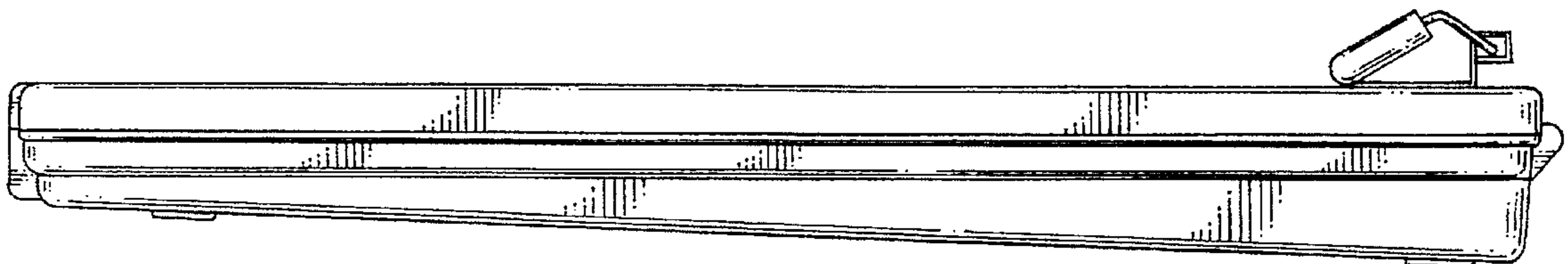


FIG. 2

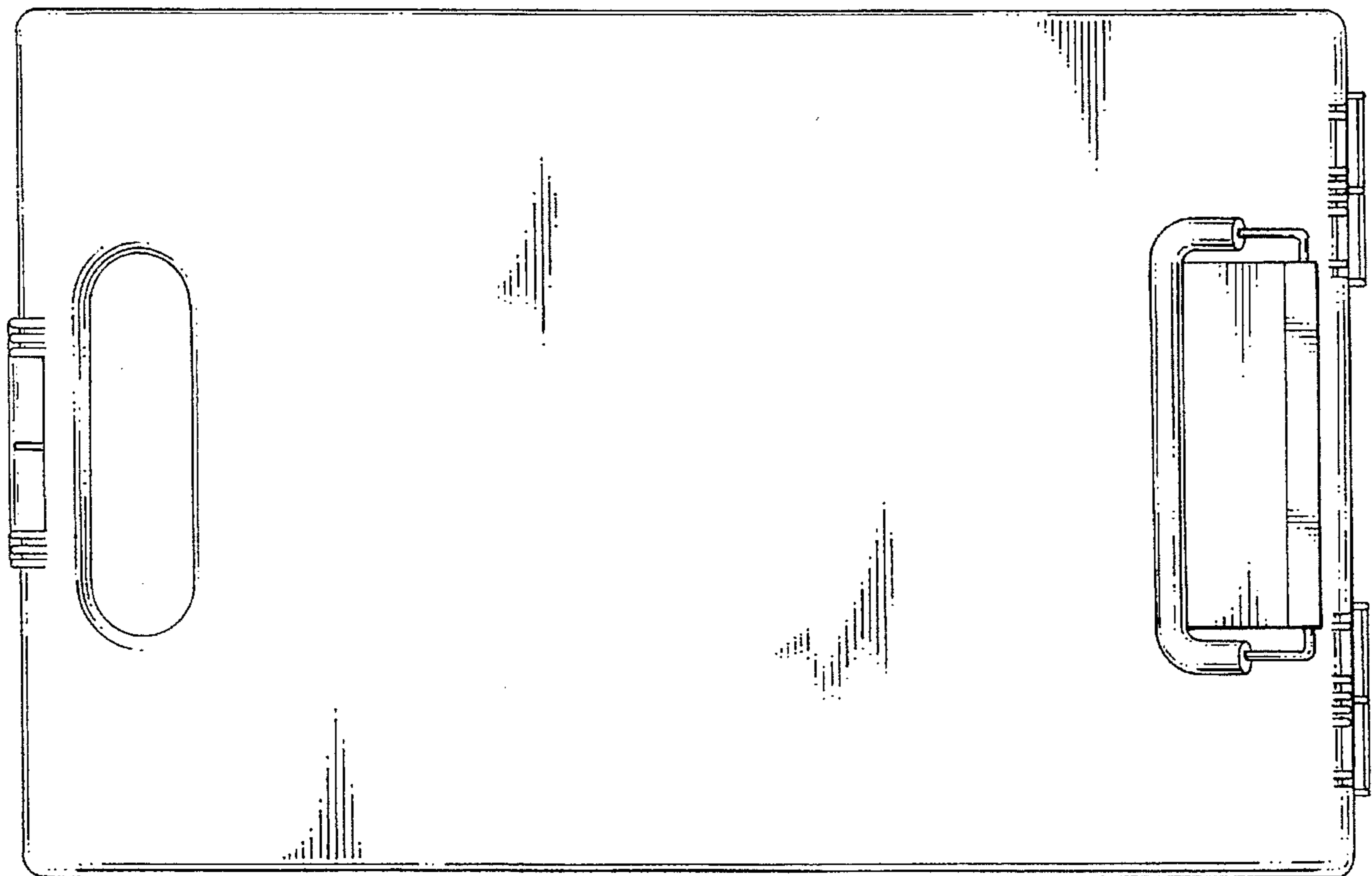


FIG. 3

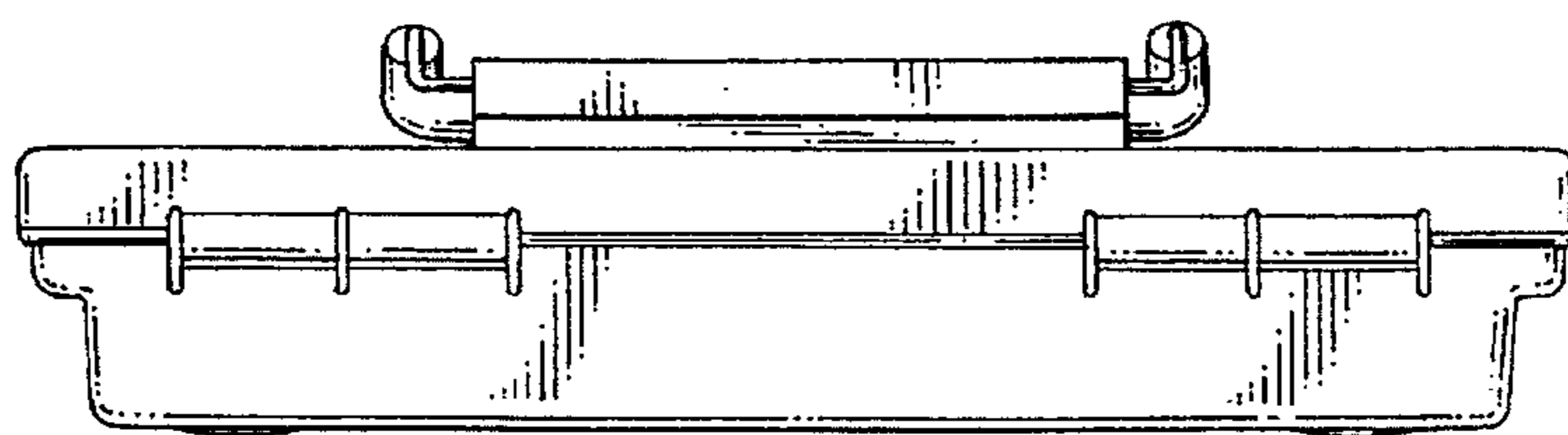


FIG. 4

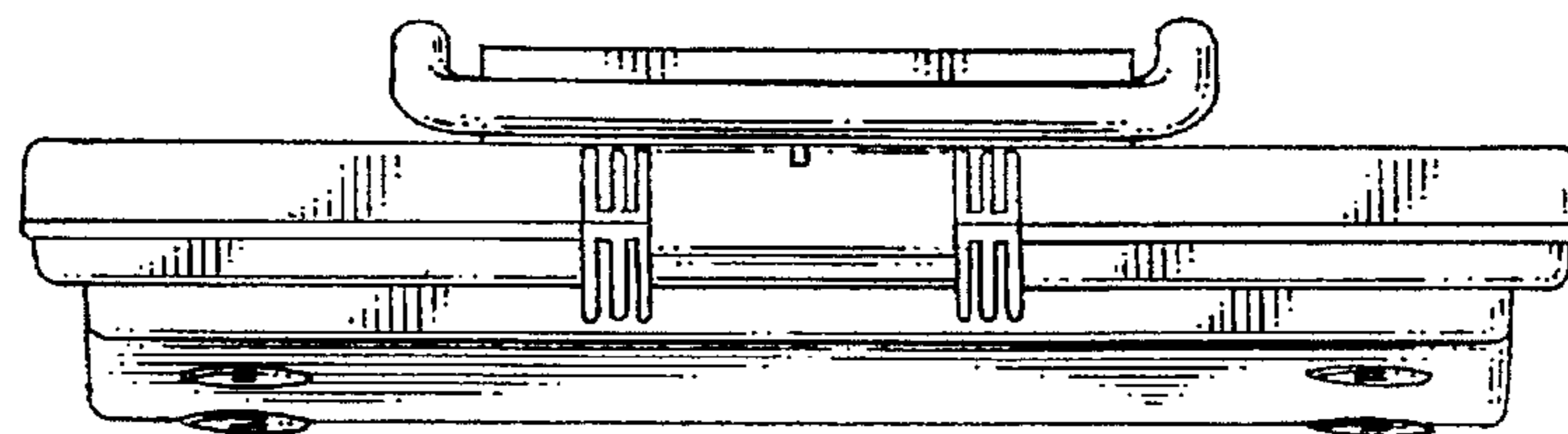


FIG. 5

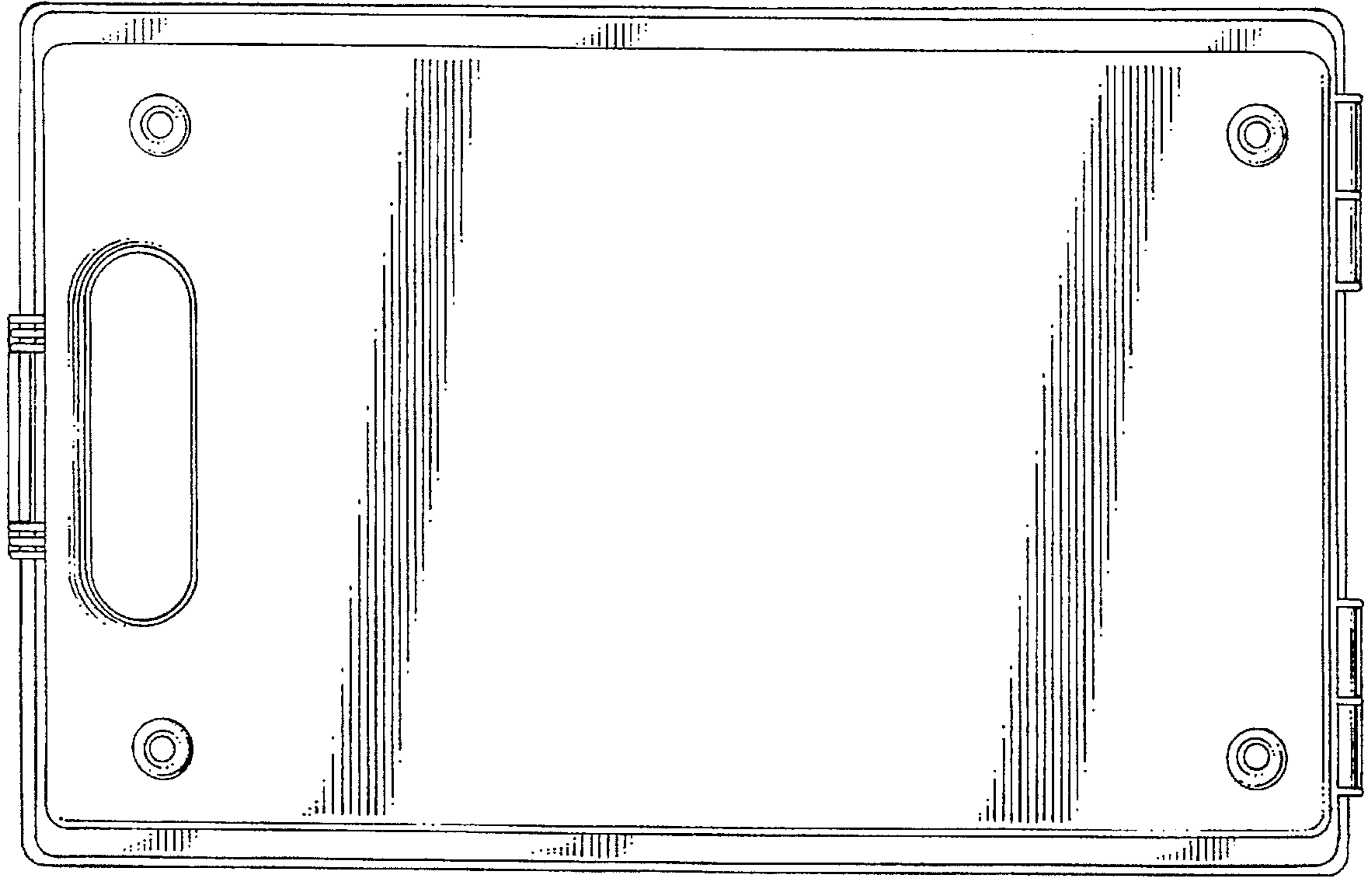


FIG. 6

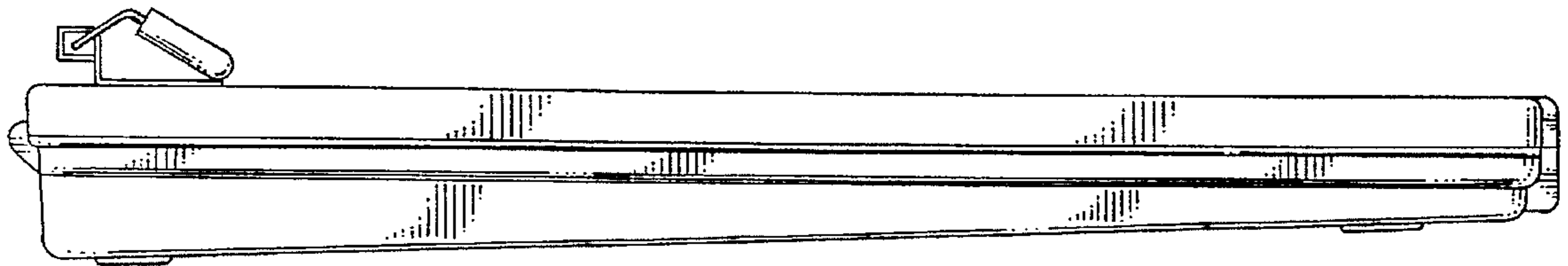


FIG. 7