



US00D379474S

United States Patent [19] Packard

[11] Patent Number: **Des. 379,474**

[45] Date of Patent: ****May 27, 1997**

[54] **PROTECTOR FOR A ROLL OF TAPE**

[75] Inventor: **Joy A. Packard**, Somerset, Wis.

[73] Assignee: **Minnesota Mining and Manufacturing Company**, St. Paul, Minn.

[**] Term: **14 Years**

[21] Appl. No.: **48,820**

[22] Filed: **Jan. 2, 1996**

[51] LOC (6) Cl. **19-02**

[52] U.S. Cl. **D19/69; D19/67**

[58] Field of Search D19/65, 67, 68, D19/69, 89, 99, 190; 225/5, 6, 7, 19, 24, 25, 34, 45, 56, 65, 77, 89; 156/327, 527, 577, 391, 510; 242/588.6

Engineering Drawings for the Micropore™ Surgical Tape Dispenser illustrated on the back of the 2 page brochure, which dispenser was sold more than one year prior to the filling date of the present application (3 pages).

2 Photographs of a prior art edge protector for use with Smith & Nephew medical tape rolls, which edge protector does not afford rotation of the roll of tape relative to the edge protector. Sold more than one year before the filing of the instant application.

Primary Examiner—Martie Thompson
Attorney, Agent, or Firm—Gary L. Griswold; Walter N. Kirn; Jeffery J. Hohenshell

[57] **CLAIM**

The ornamental design for a protector for a roll of tape, as shown and described.

[56] **References Cited**

U.S. PATENT DOCUMENTS

D. 125,085	2/1941	Jackson .	
D. 141,220	5/1945	Preble, Jr. .	
D. 164,733	10/1951	Pretzfelder, Jr. .	
D. 185,284	5/1959	Hofmann	D74/1
D. 323,531	1/1992	Fortune	D19/69
2,082,546	6/1937	Machate et al.	225/45
2,275,212	3/1942	Valentine .	
2,295,477	9/1942	Jackson .	
2,295,679	9/1942	Montbach	242/55.5
2,694,533	11/1954	Zucker	242/588.6
2,790,609	4/1957	Hawthorne et al.	242/55.5
4,060,444	11/1977	Schweig, Jr. et al.	156/391
5,154,335	10/1992	Bredow et al.	225/40

OTHER PUBLICATIONS

“3M Surgical Tape Sampler, Standards that never vary”, brochure, 3M Health Care, 1993.

“3M Micropore™ Surgical Tape, The dependable choice for a gentle, general dressing paper tape.”, 2 page brochure, 3M Health Care, 1995.

DESCRIPTION

FIG. 1 is a perspective view of my new design;

FIG. 2 is a front view thereof;

FIG. 3 is a rear view;

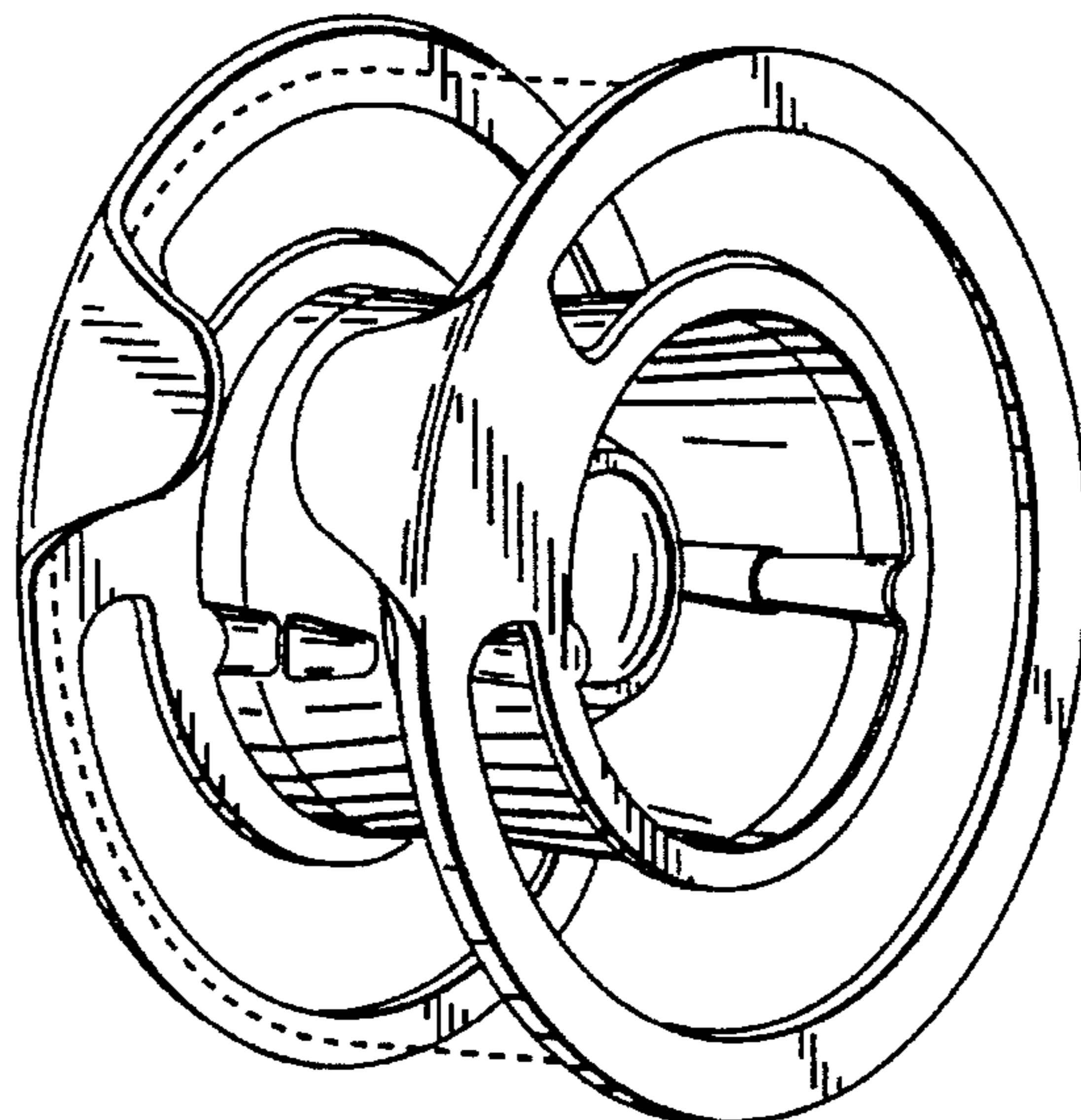
FIG. 4 is a right side view thereof which is rotated approximately ninety degrees;

FIG. 5 is a bottom view thereof, the top view being a mirror image thereof; and,

FIG. 6 is a left side view thereof which is rotated approximately ninety degrees.

Broken lines are included in the drawing to show a part of the roll of tape for illustrative purposes only. The broken lines form no part of the illustrated design.

1 Claim, 2 Drawing Sheets



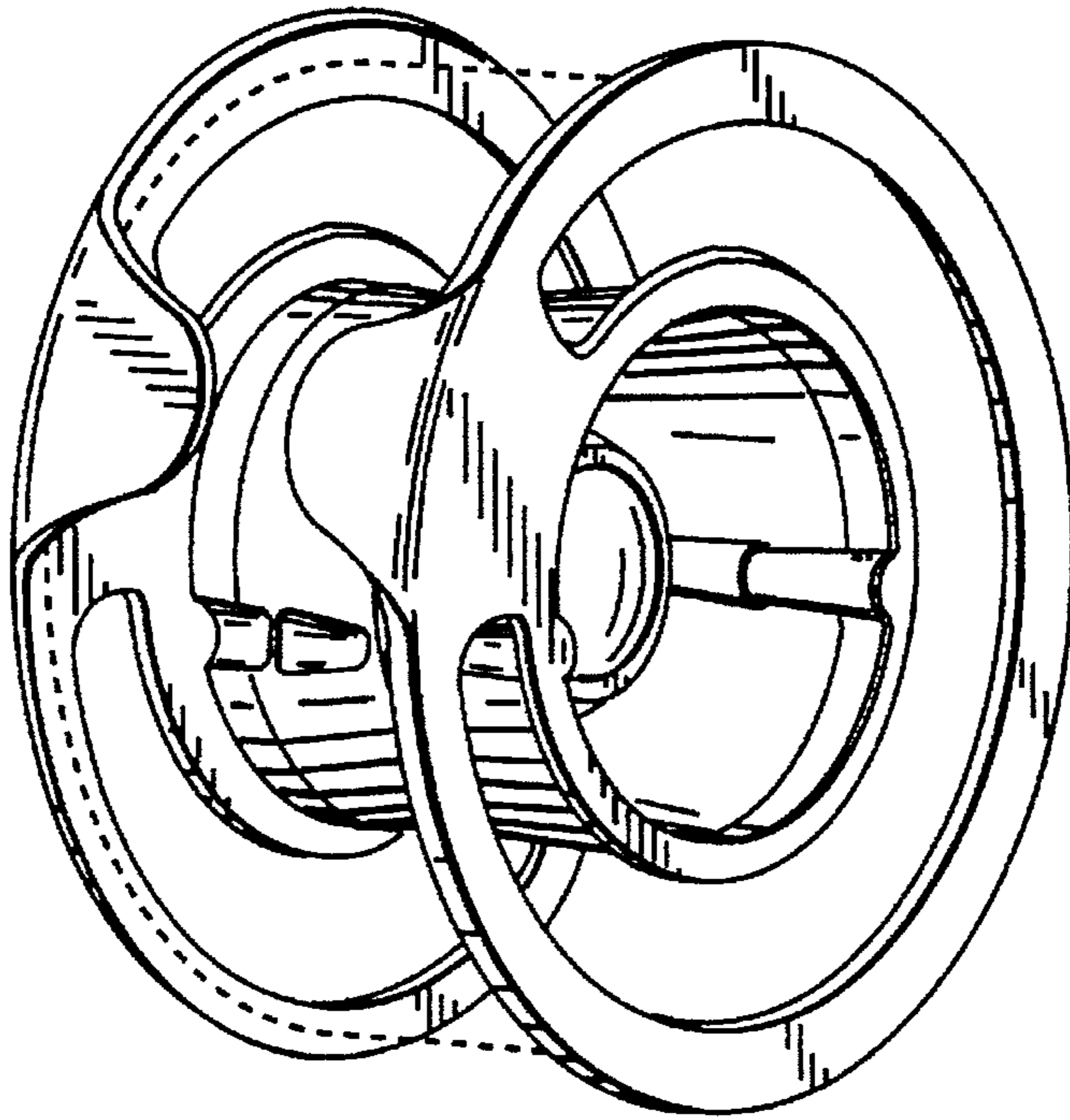


Fig. 1

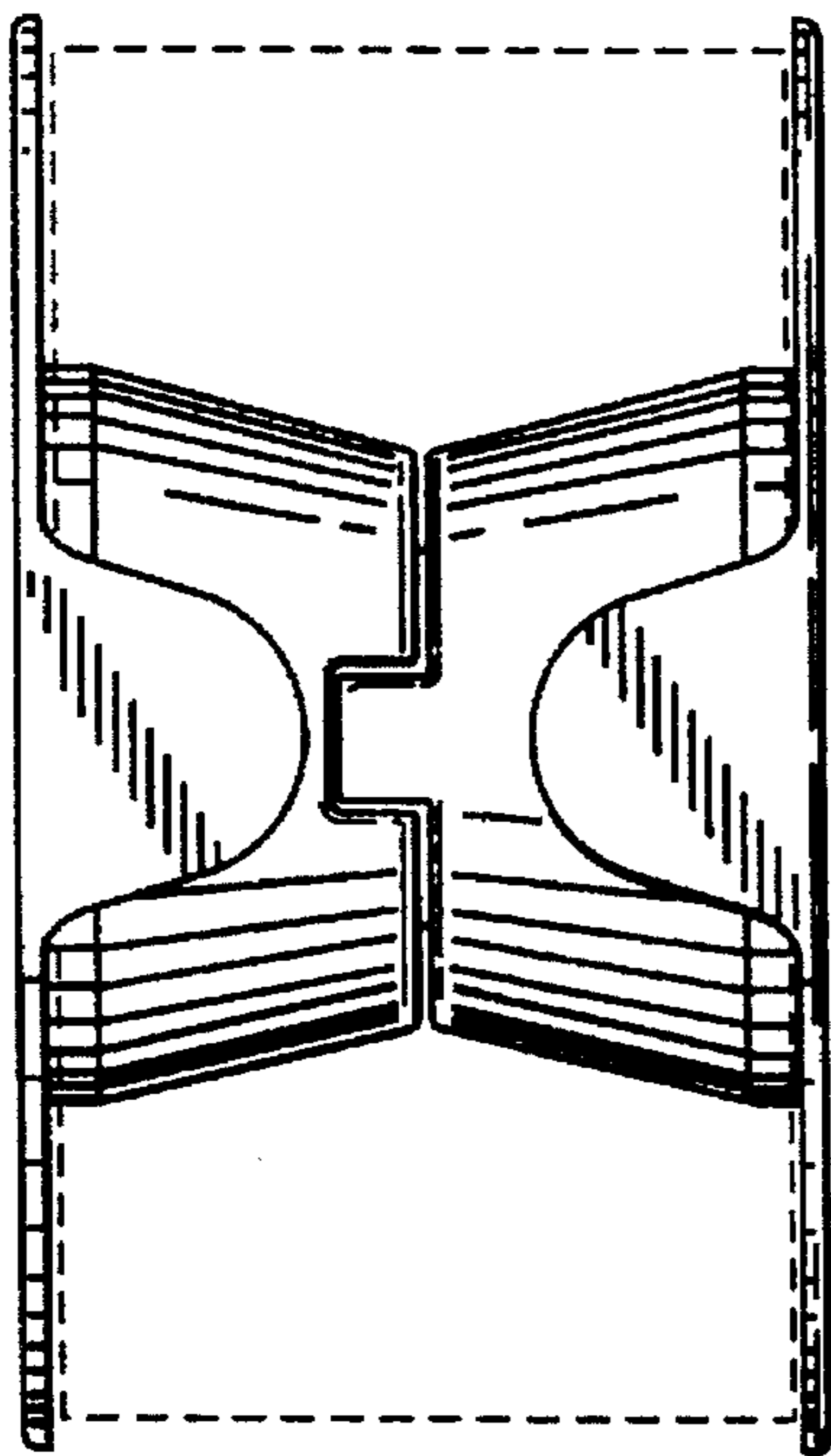


Fig. 2

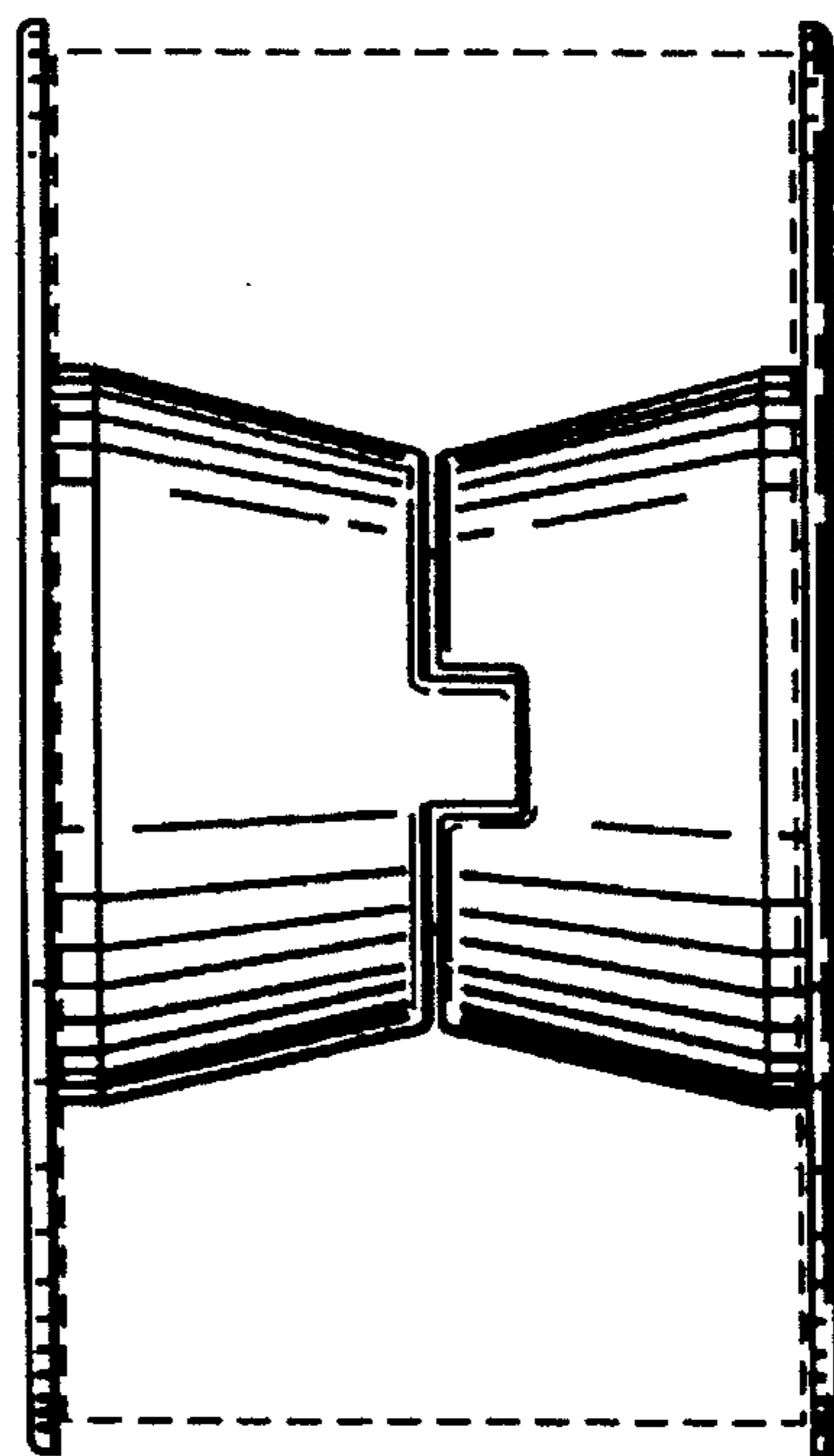


Fig. 3

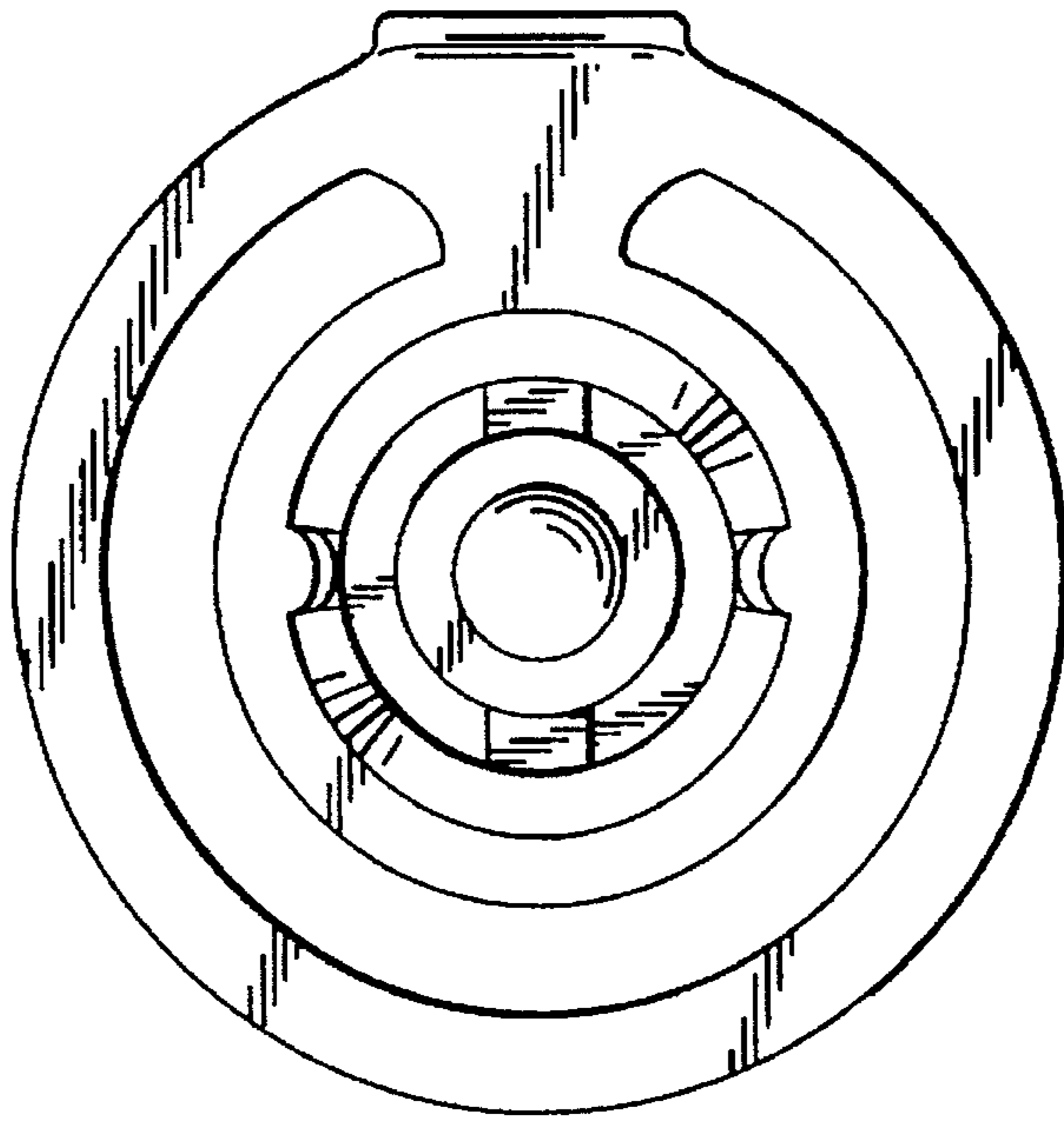


Fig. 6

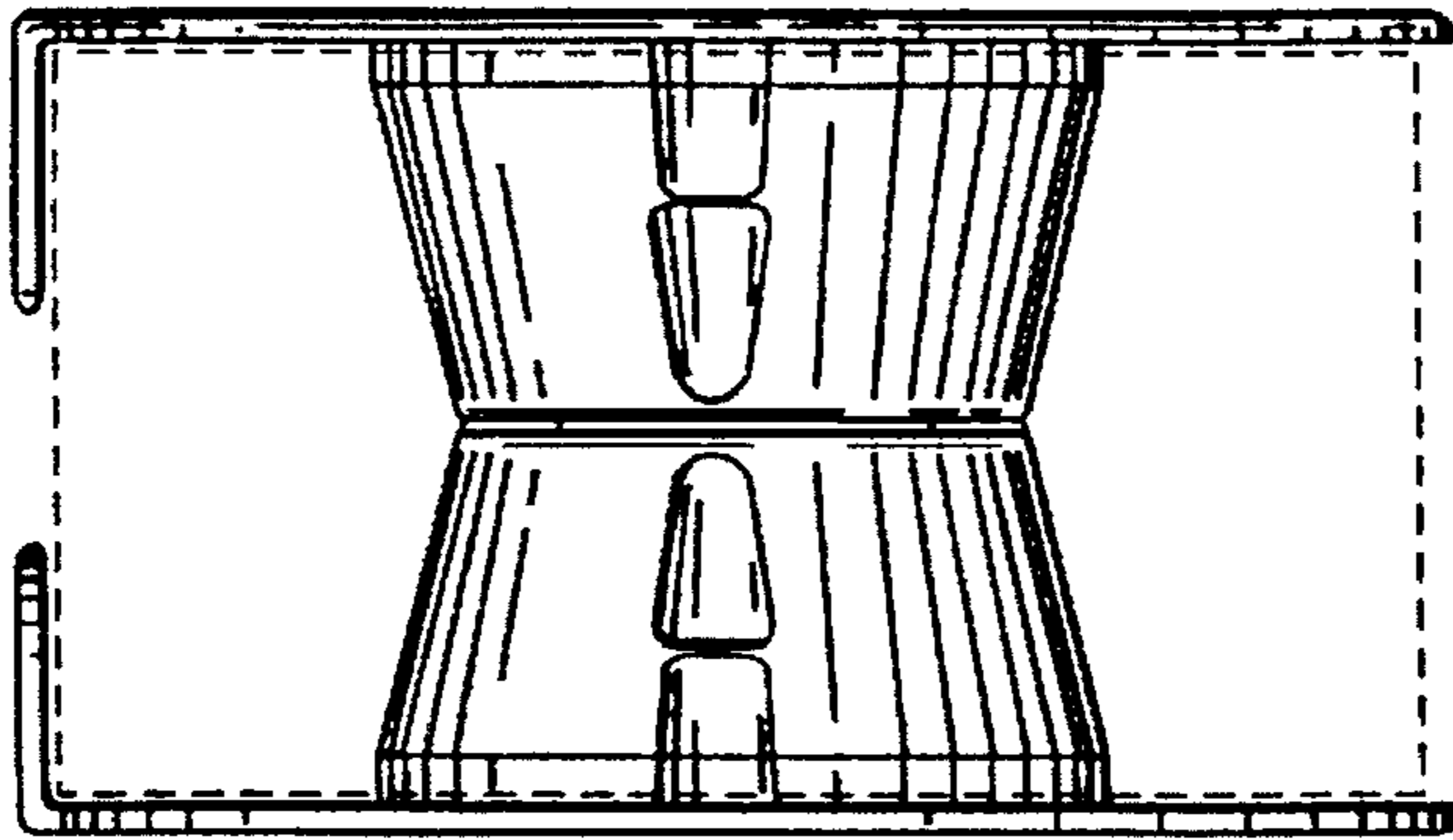


Fig. 5

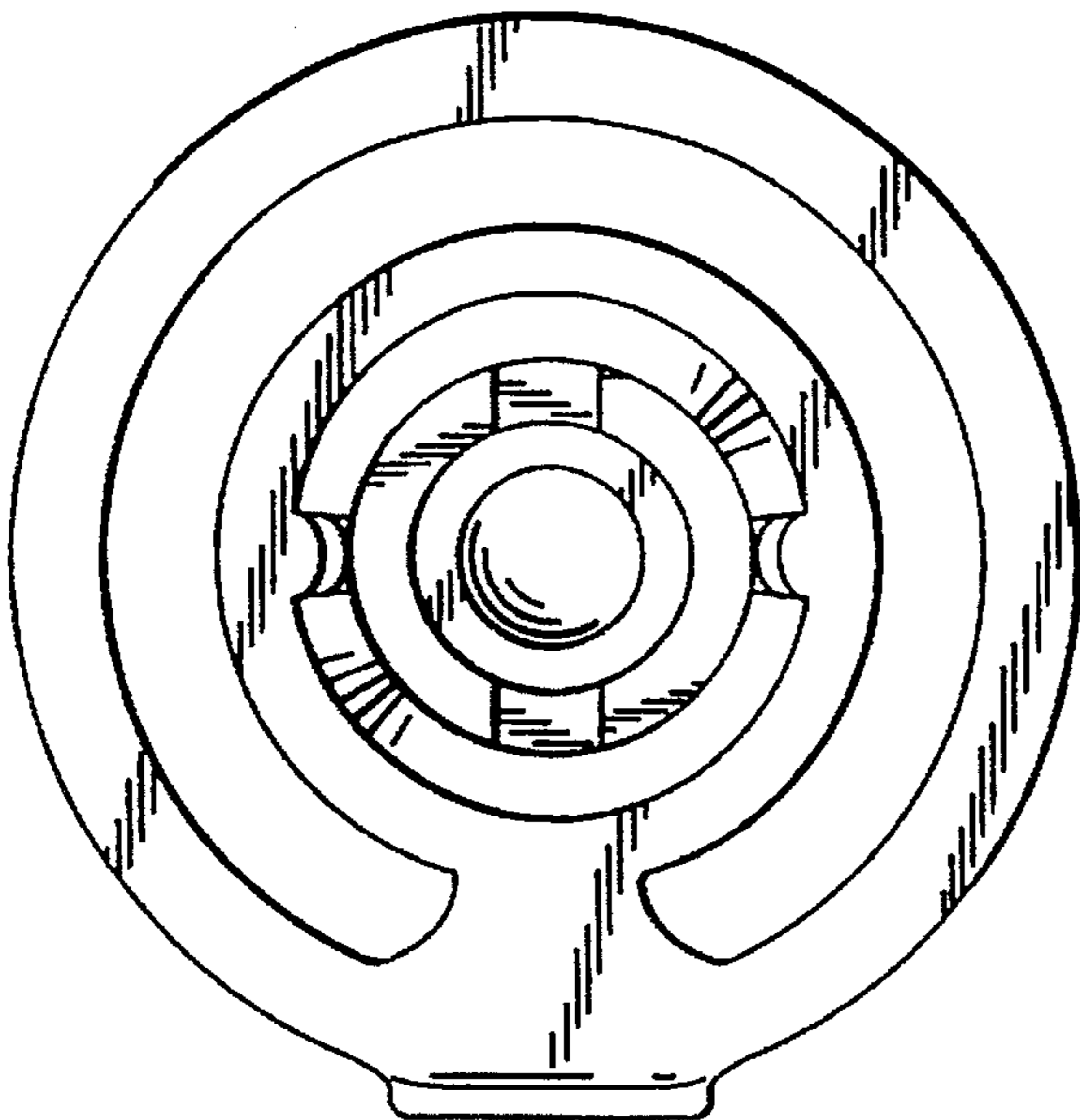


Fig. 4