



US00D379472S

United States Patent [19]
Smith

[11] **Patent Number: Des. 379,472**

[45] **Date of Patent: **May 27, 1997**

[54] **COMBINATION BALL-POINT PEN AND LOTTERY NUMBER CHOOSER**

4,530,503 7/1985 Rice 401/195
5,265,877 11/1993 Boylan et al. 273/144 B X
5,328,172 7/1994 Jagiella 401/195 X

[76] Inventor: **Peter M. Smith**, 4319 Saltillo St.,
Woodland Hills, Calif. 91364

Primary Examiner—Martie Thompson

[**] Term: **14 Years**

[57] **CLAIM**

[21] Appl. No.: **55,027**

The ornamental design for a combination ball-point pen and lottery number chooser, as shown and described.

[22] Filed: **May 28, 1996**

DESCRIPTION

[51] LOC (6) Cl. **19-06**

FIG. 1 is a front elevational view of the combination ball-point pen and lottery number chooser showing my new design;

[52] U.S. Cl. **D19/36; D19/46; D19/49; D21/41**

FIG. 2 is a rear elevational view thereof;

[58] **Field of Search** D19/35, 36, 41-51,
D19/53-58, 81-85; D21/37, 39, 41; 401/52,
195; 273/144 R

FIG. 3 is a right view thereof;

FIG. 4 is a left view thereof;

FIG. 5 is a top plan view thereof; and,

FIG. 6 is a bottom plan view thereof.

[56] **References Cited**

U.S. PATENT DOCUMENTS

D. 94,106 12/1934 Wooldridge D19/49
D. 306,177 2/1990 Park D19/49 X
D. 331,777 12/1992 Sedlmeier et al. D19/36
2,844,376 7/1958 Purdy 273/144 B

The numerals depicted by means of broken lines in FIGS. 1 and 2 have been shown for illustrative purposes only and form no part of the claimed design.

1 Claim, 3 Drawing Sheets

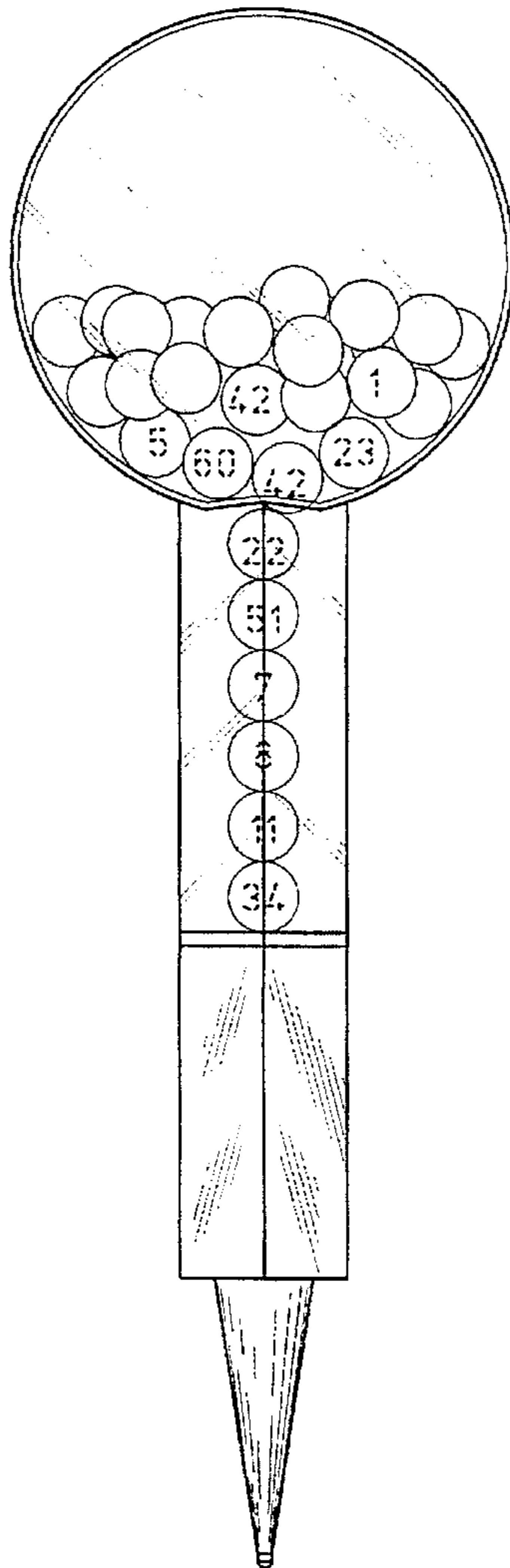


FIG. 1

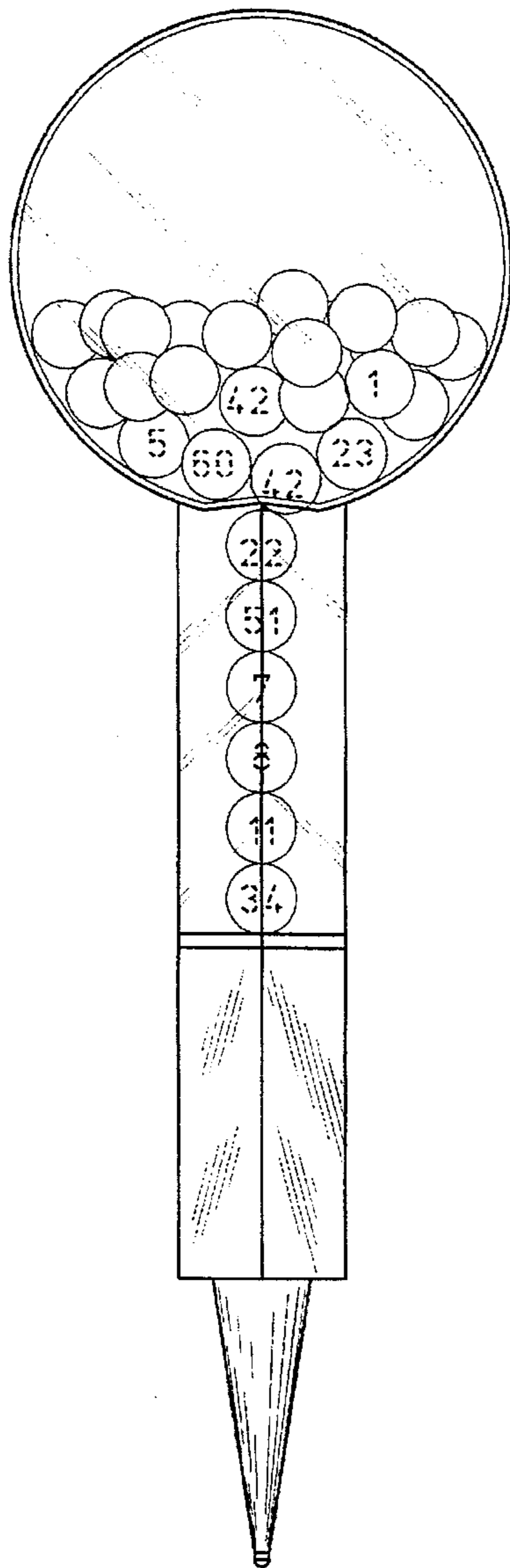


FIG. 2

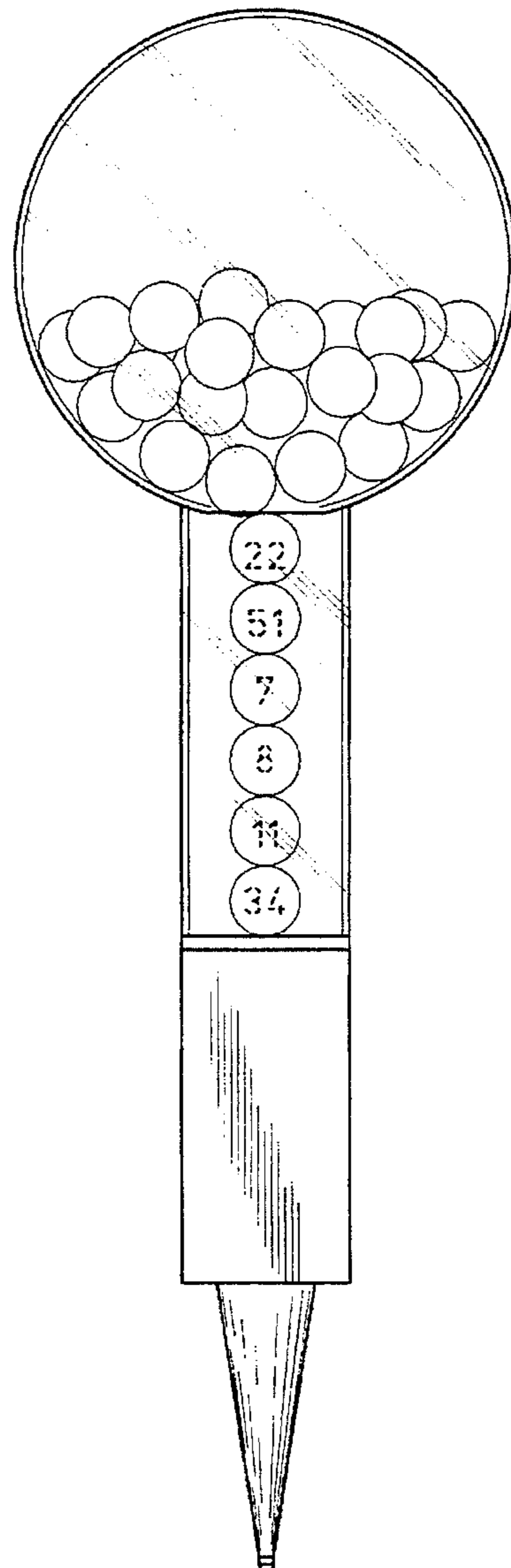


FIG. 3

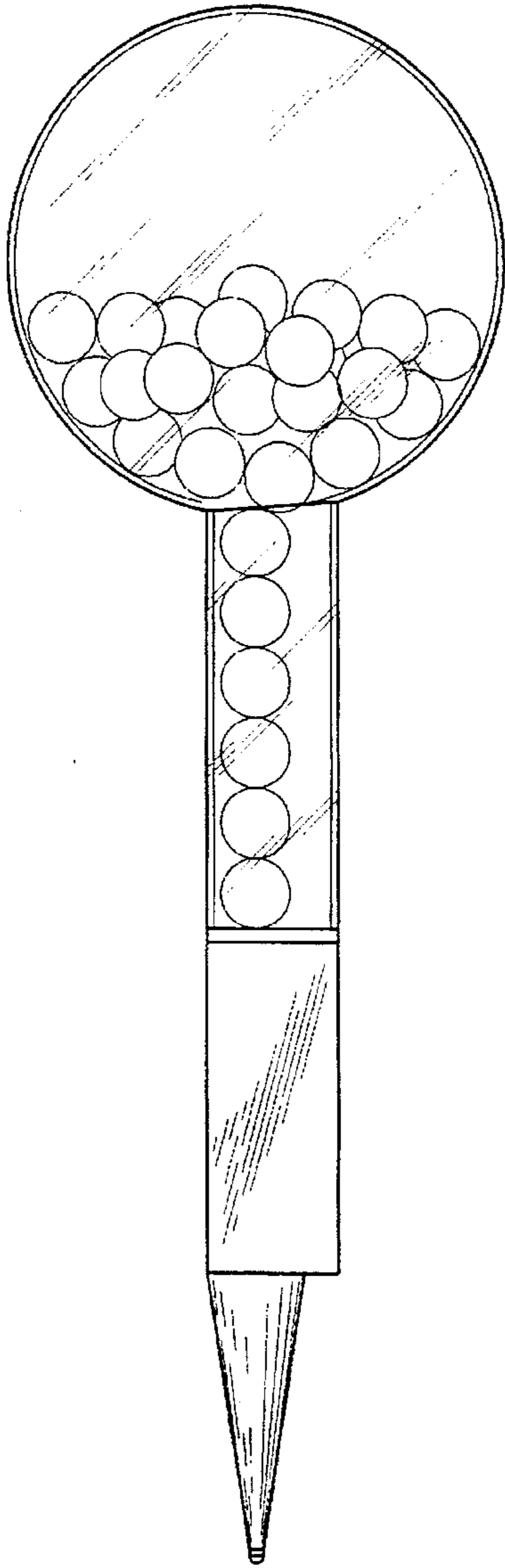


FIG. 4

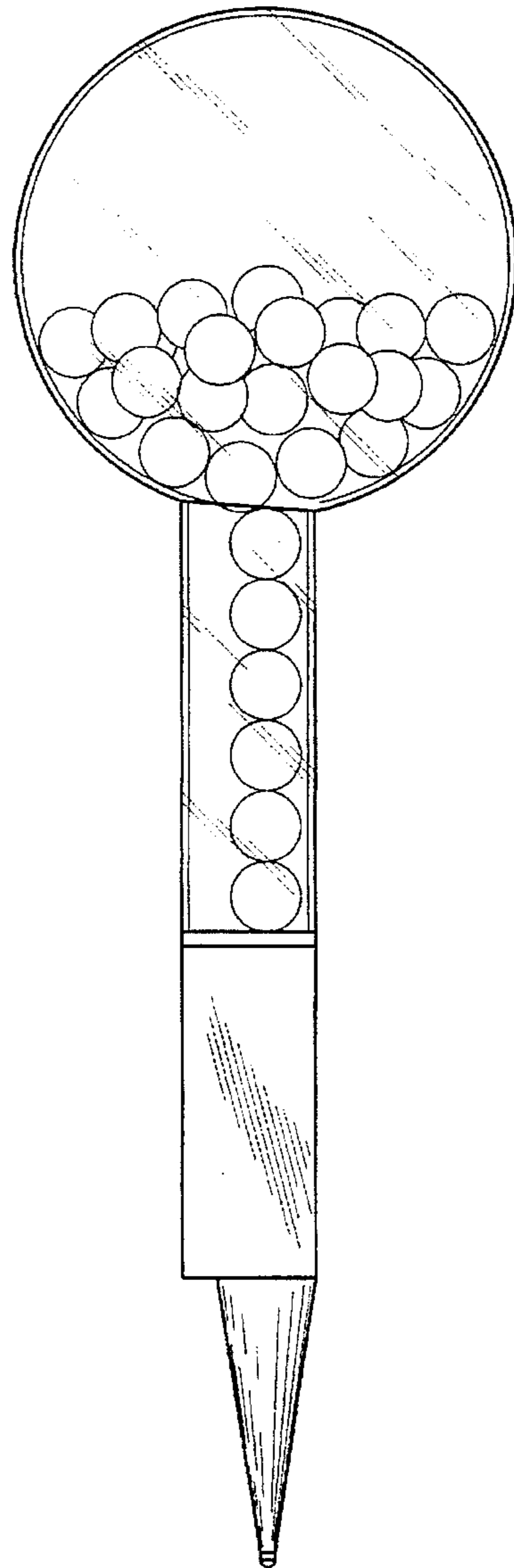


FIG. 5

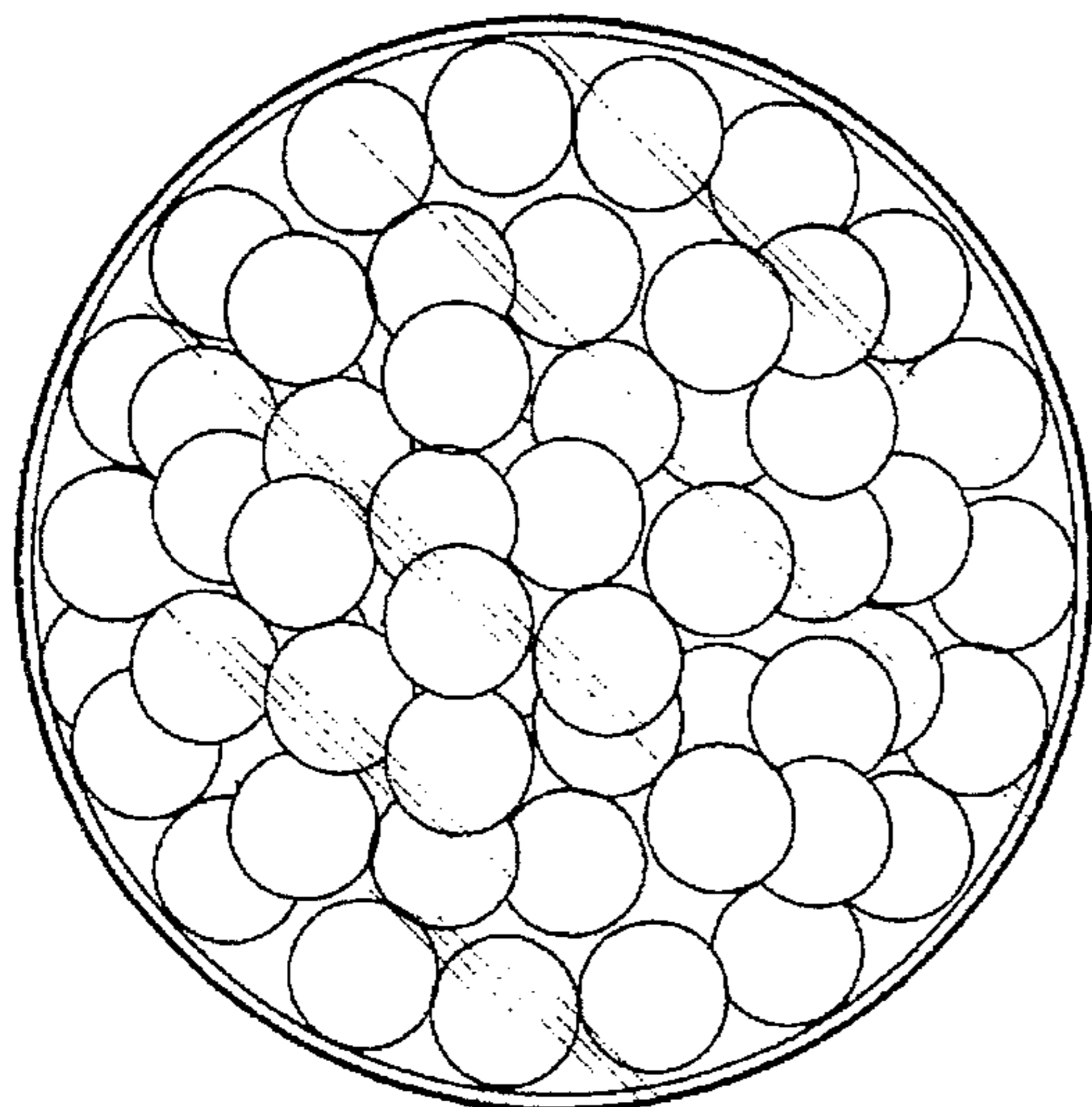


FIG. 6

