



US00D379467S

United States Patent [19]

Martin et al.

[11] Patent Number: **Des. 379,467**

[45] Date of Patent: ****May 27, 1997**

- [54] **REFRIGERATOR GRILLE**
- [75] Inventors: **Robert H. Martin**, Columbus; **Charles D. Baker**, Dublin, both of Ohio
- [73] Assignee: **White Consolidated Industries, Inc.**, Cleveland, Ohio
- [**] Term: **14 Years**
- [21] Appl. No.: **48,267**
- [22] Filed: **Dec. 22, 1995**
- [51] LOC (6) Cl. **15-07**
- [52] U.S. Cl. **D15/89**
- [58] Field of Search D15/79, 81-89; 312/116, 117, 236, 401, 406, 407, 407.1

| | | | |
|-----------|---------|-------------------------|---------|
| 3,912,349 | 10/1975 | Hoetker | 312/236 |
| 4,932,224 | 6/1990 | Katterhenry et al. | 312/236 |
| 4,970,874 | 11/1990 | Solak et al. | 62/255 |
| 5,083,443 | 1/1992 | von Blanquet | 62/428 |
| 5,357,769 | 10/1994 | Crabtree et al. | 62/441 |

Primary Examiner—Sandra L. Morris
Attorney, Agent, or Firm—Pearne, Gordon, McCoy & Granger

[57] CLAIM

The ornamental design for a refrigerator grille, as shown and described.

DESCRIPTION

FIG. 1 is a front perspective view of a refrigerator grille, showing our new design, the broken line showing of the refrigerator is for illustrative purposes only, and forms no part of the claimed design;

FIG. 2 shows an isometric front view of the invention;

FIG. 3 shows a top view of the invention;

FIG. 4 shows a front elevational view of the invention;

FIG. 5 shows an end elevational view of the invention, the opposite end view being a mirror image of this end view;

FIG. 6 shows a bottom view of the invention; and,

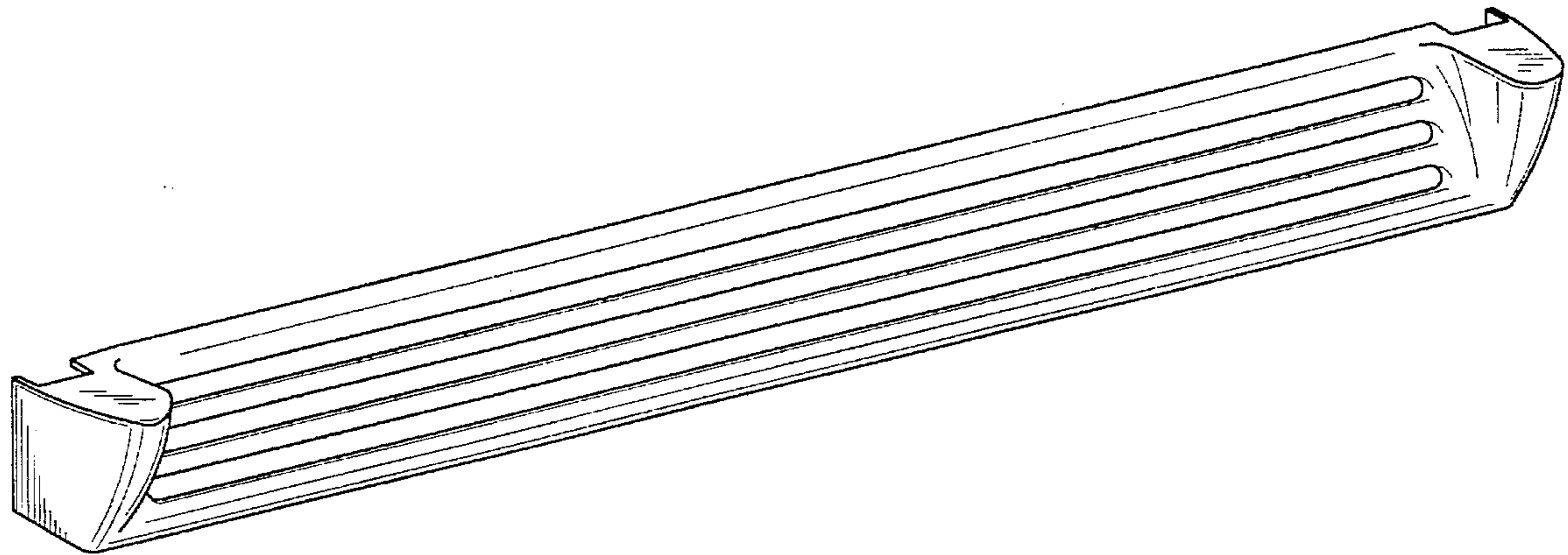
FIG. 7 shows a rear view of the invention.

1 Claim, 3 Drawing Sheets

[56] **References Cited**

U.S. PATENT DOCUMENTS

| | | | |
|------------|---------|---------------------|---------|
| D. 117,375 | 10/1939 | Knight | D15/89 |
| D. 117,377 | 10/1939 | Knight | D15/89 |
| D. 164,829 | 10/1951 | Walter | D15/89 |
| D. 334,201 | 3/1993 | Purkapile | D15/89 |
| 2,299,655 | 10/1942 | Reeves | 312/156 |
| 2,815,649 | 12/1957 | Angelus et al. | 62/102 |
| 3,169,813 | 2/1965 | Cannon et al. | 312/270 |
| 3,779,624 | 12/1973 | Werderitsch | 312/278 |



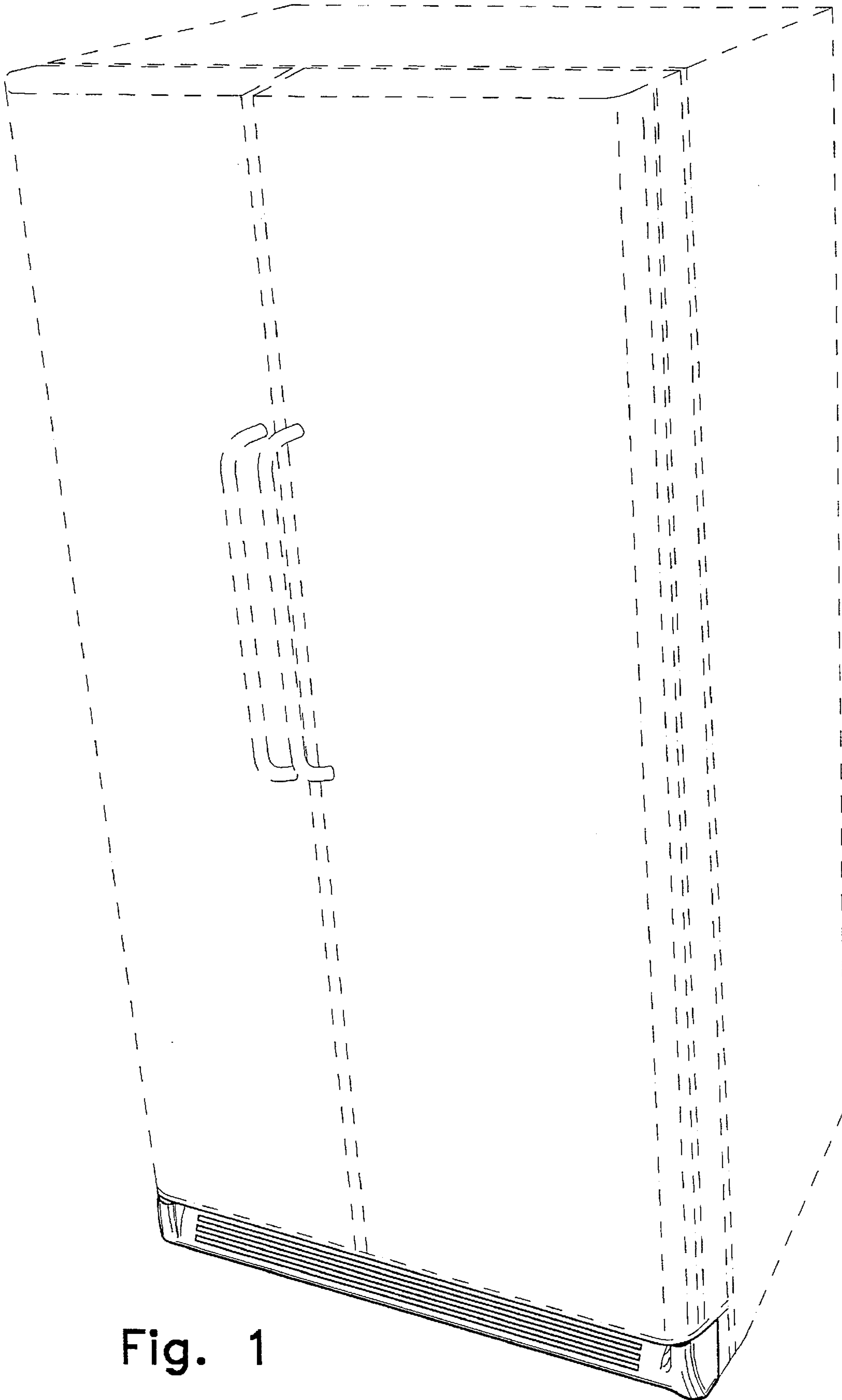


Fig. 1

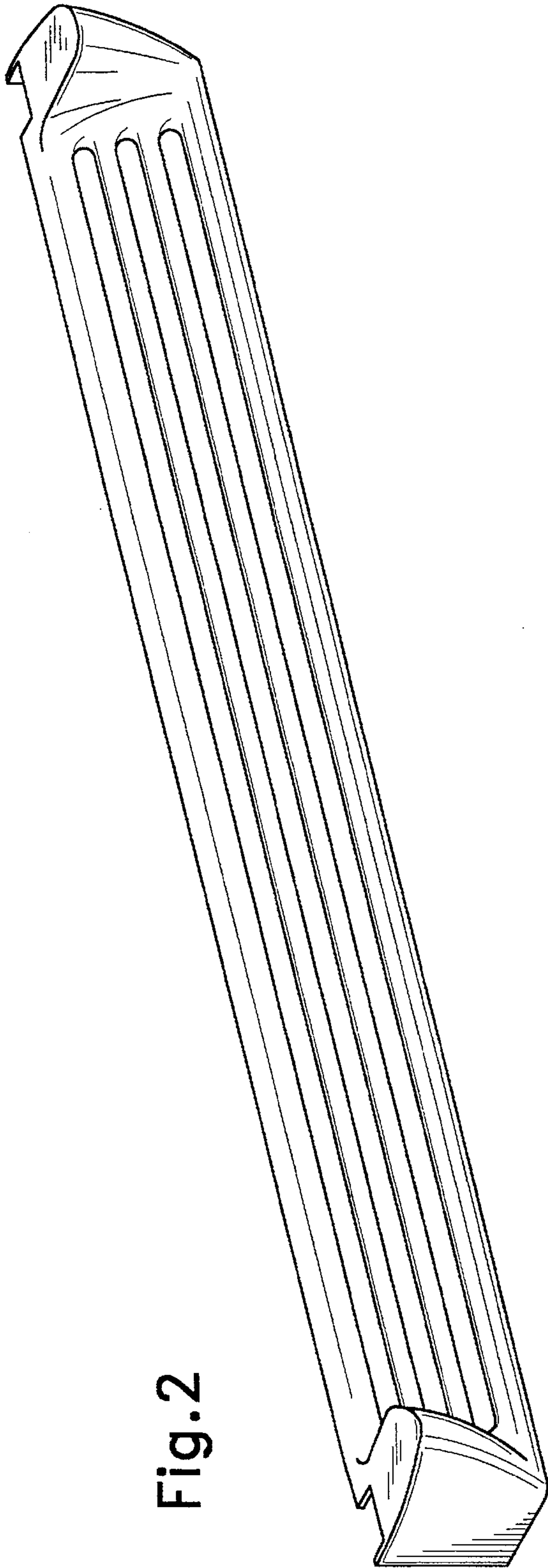


Fig. 2

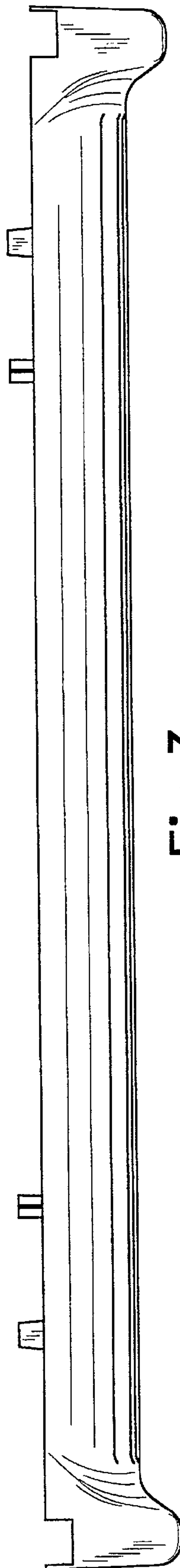


Fig. 3

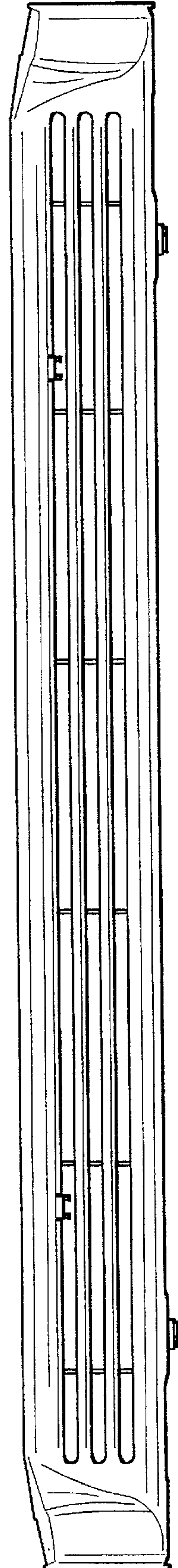


Fig. 4

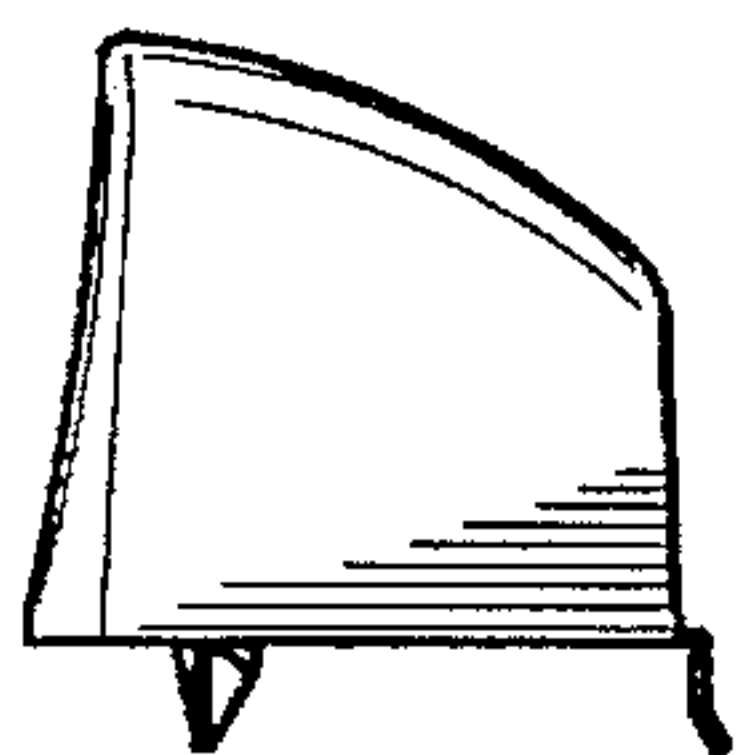


Fig. 5



Fig. 6



Fig. 7