



US00D379466S

United States Patent [19]

[11] Patent Number: **Des. 379,466**

Peterson, Jr.

[45] Date of Patent: *****May 27, 1997**

[54] **ICE CREAM FREEZER MERCHANDISER**

[75] Inventor: **Richard H. Peterson, Jr.**, San Francisco, Calif.

[73] Assignee: **Dreyer's Grand Ice Cream, Inc.**, Oakland, Calif.

[*] Notice: The portion of the term of this patent subsequent to Dec. 10, 2010, has been disclaimed.

[**] Term: **14 Years**

[21] Appl. No.: **47,575**

[22] Filed: **Dec. 7, 1995**

[51] LOC (6) Cl. **15-07**

[52] U.S. Cl. **D15/84; D6/470**

[58] Field of Search D6/436, 470, 471, D6/472; D15/79-86; 62/246-254, 293, 441, 444, 445, 457.1-457.9; 312/114, 116, 117, 119, 138.1, 139.2, 234.1, 236, 401-408

[56] **References Cited**

U.S. PATENT DOCUMENTS

| | | | | |
|------------|---------|------------------|-------|--------|
| D. 92,639 | 6/1934 | Worthington | | D15/84 |
| D. 149,860 | 6/1948 | Daggett | | D15/84 |
| D. 181,258 | 10/1957 | Kuhn | | D6/471 |
| D. 189,843 | 3/1961 | Rhoads | | D15/84 |
| D. 278,193 | 4/1985 | Boxall | | D6/471 |
| D. 317,454 | 6/1991 | Matsumura et al. | | D15/83 |

| | | | | |
|------------|--------|------------------|-------|----------|
| D. 334,495 | 4/1993 | Bustos | | D6/470 |
| D. 349,829 | 8/1994 | Bustos | | D6/470 |
| 4,898,004 | 2/1990 | Richardson | | 62/457.9 |
| 5,201,191 | 4/1993 | Bustos | | 62/249 |
| 5,440,894 | 8/1995 | Schaeffer et al. | | 62/203 |

OTHER PUBLICATIONS

Silver King Brochure "Fresh Ideas" p. 5 Frozen Treats display case SK-CTM.

Primary Examiner—Sandra L. Morris
Attorney, Agent, or Firm—Dorr, Carson, Sloan & Birney, P.C.

[57] **CLAIM**

The ornamental design for an ice cream freezer merchandiser, as shown and described.

DESCRIPTION

FIG. 1 is a top left side perspective view of an ice cream freezer merchandiser showing the design; FIG. 2 is a left side elevational view thereof; FIG. 3 is a right side elevational view thereof; FIG. 4 is a top plan view thereof; FIG. 5 is a bottom plan view thereof; FIG. 6 is a front elevational view thereof; and, FIG. 7 is a rear elevational view thereof.

The broken lines showing the wheels, boxes for the wheels, and the handles in FIGS. 1-7 are for illustrative purposes only and form no part of the claimed design.

1 Claim, 4 Drawing Sheets

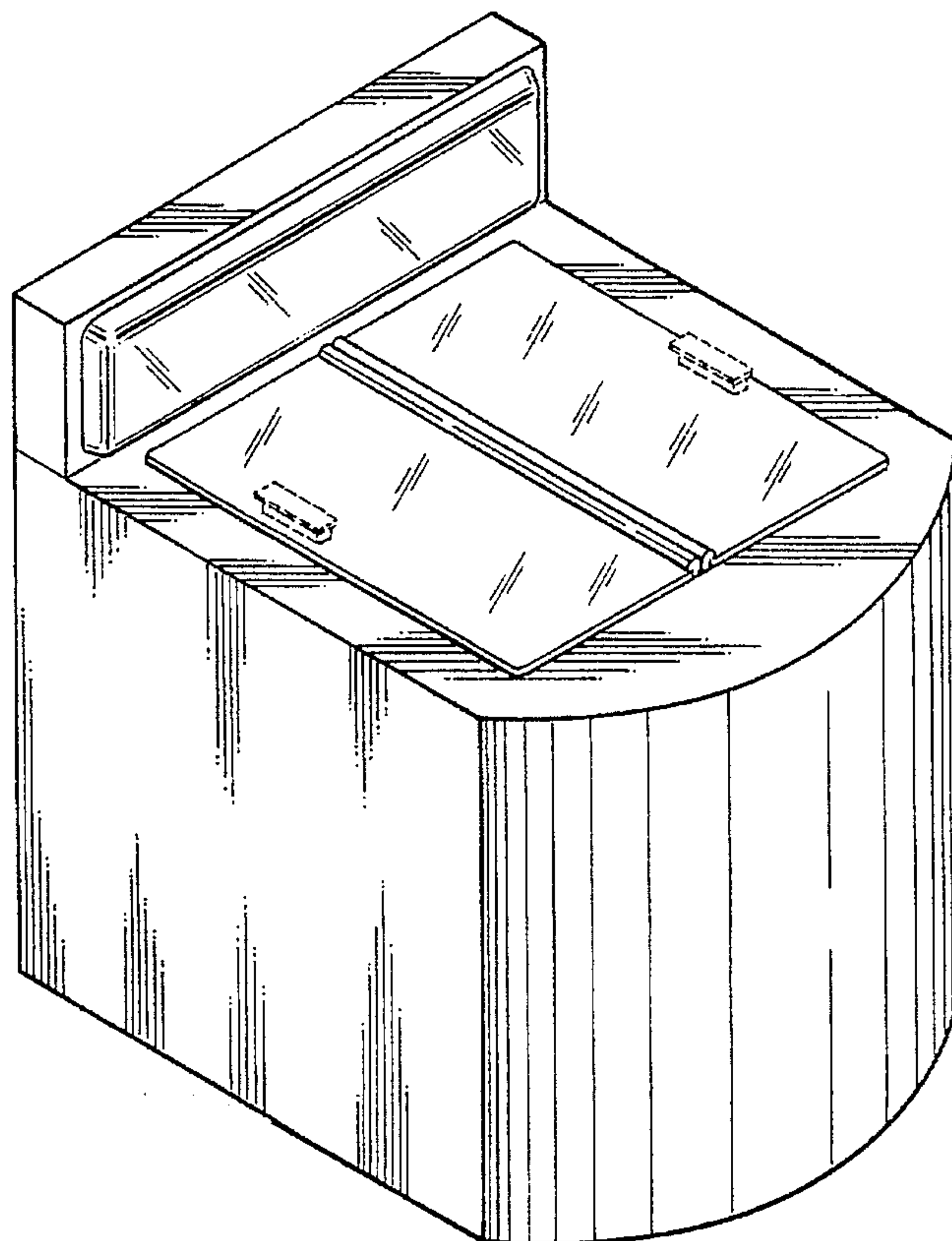


Fig. 1

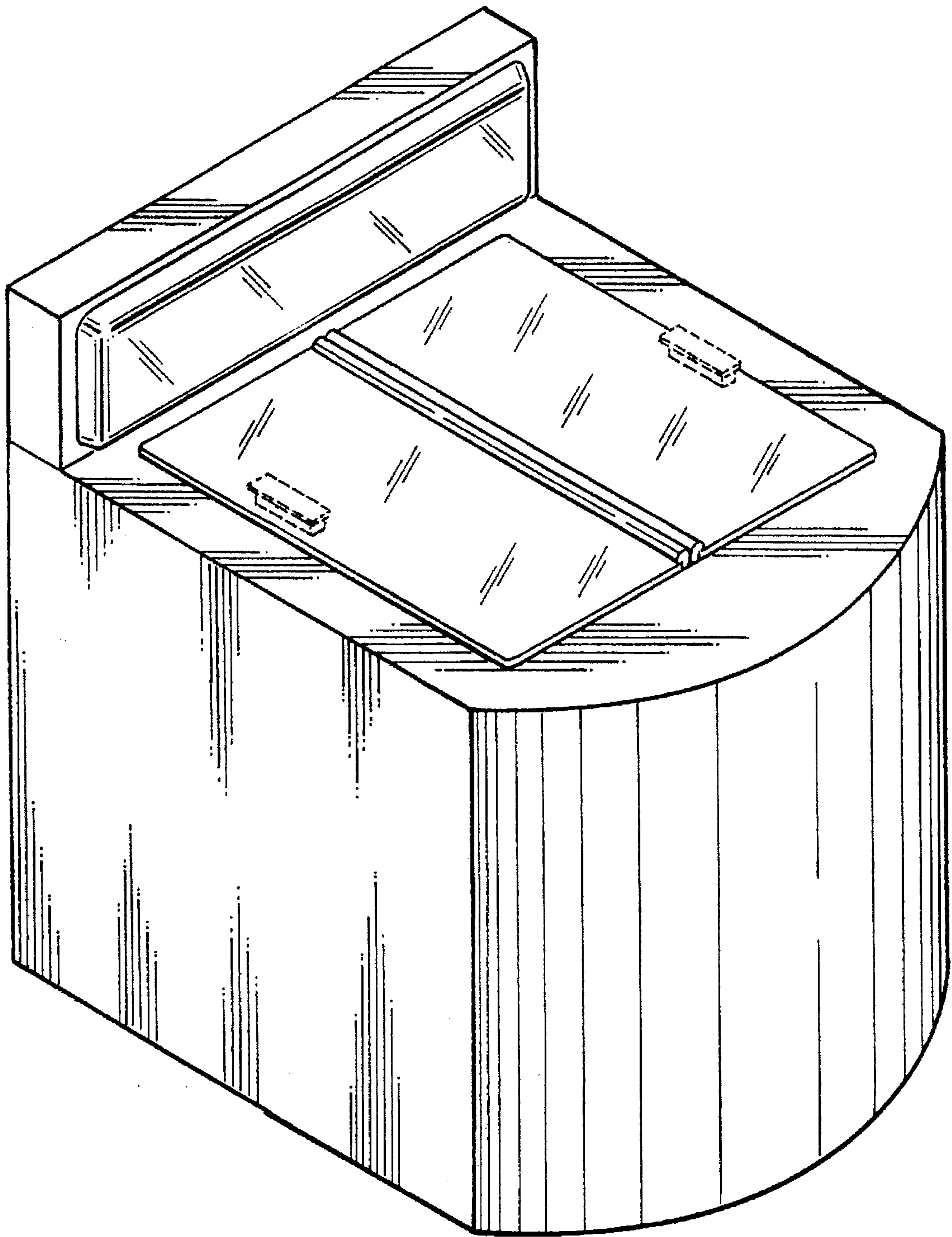


Fig. 2

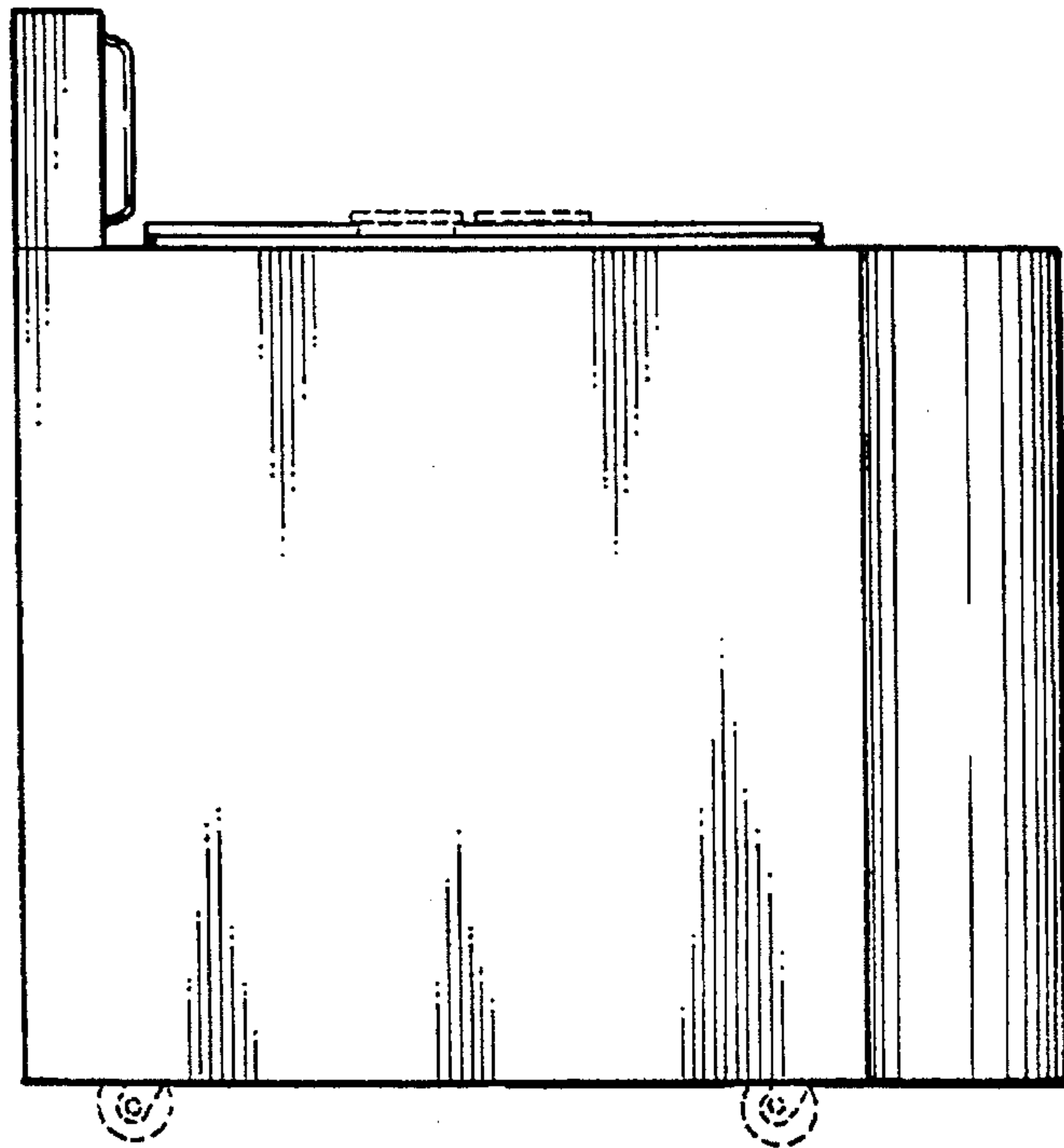


Fig. 3

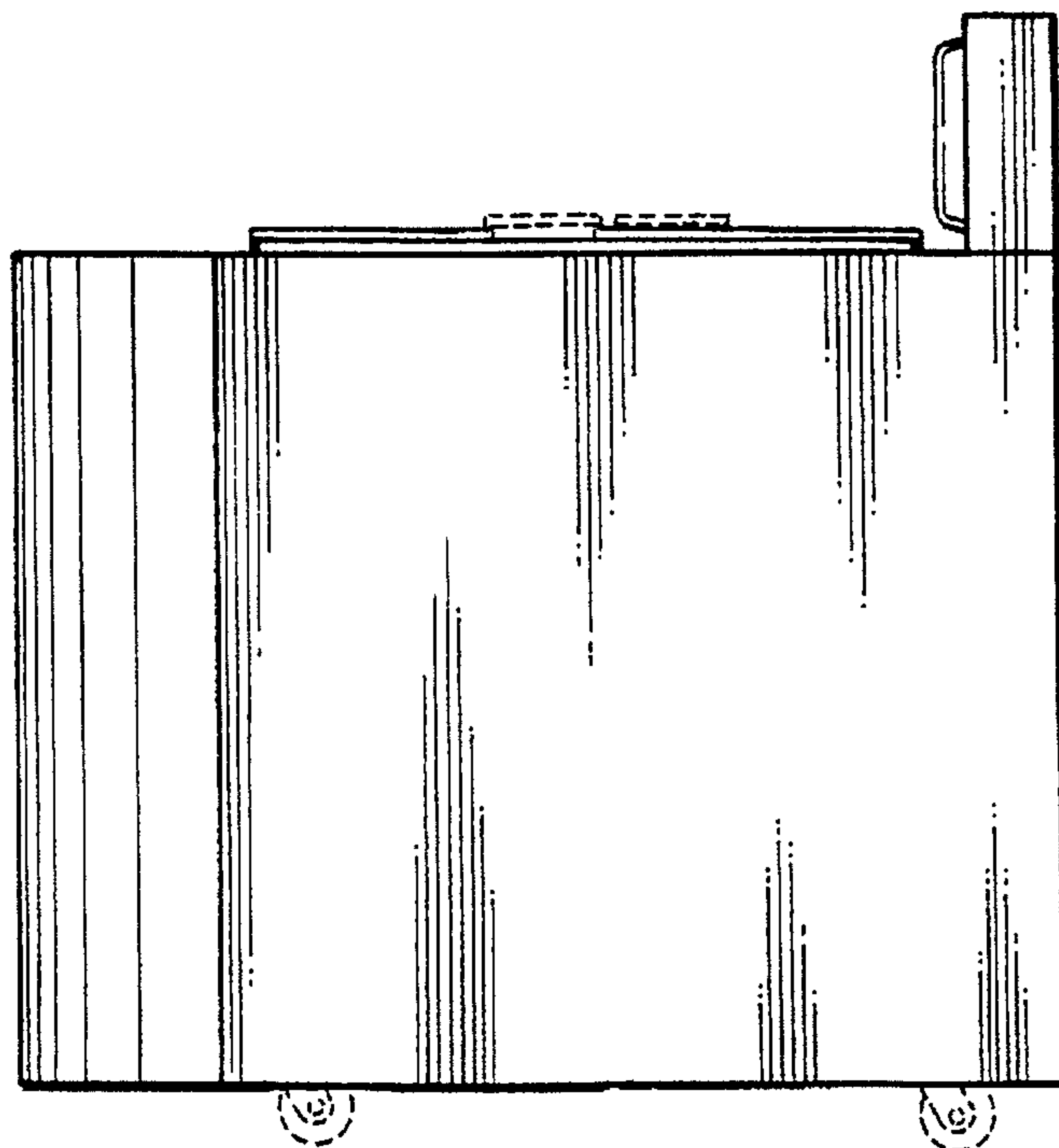


Fig. 4

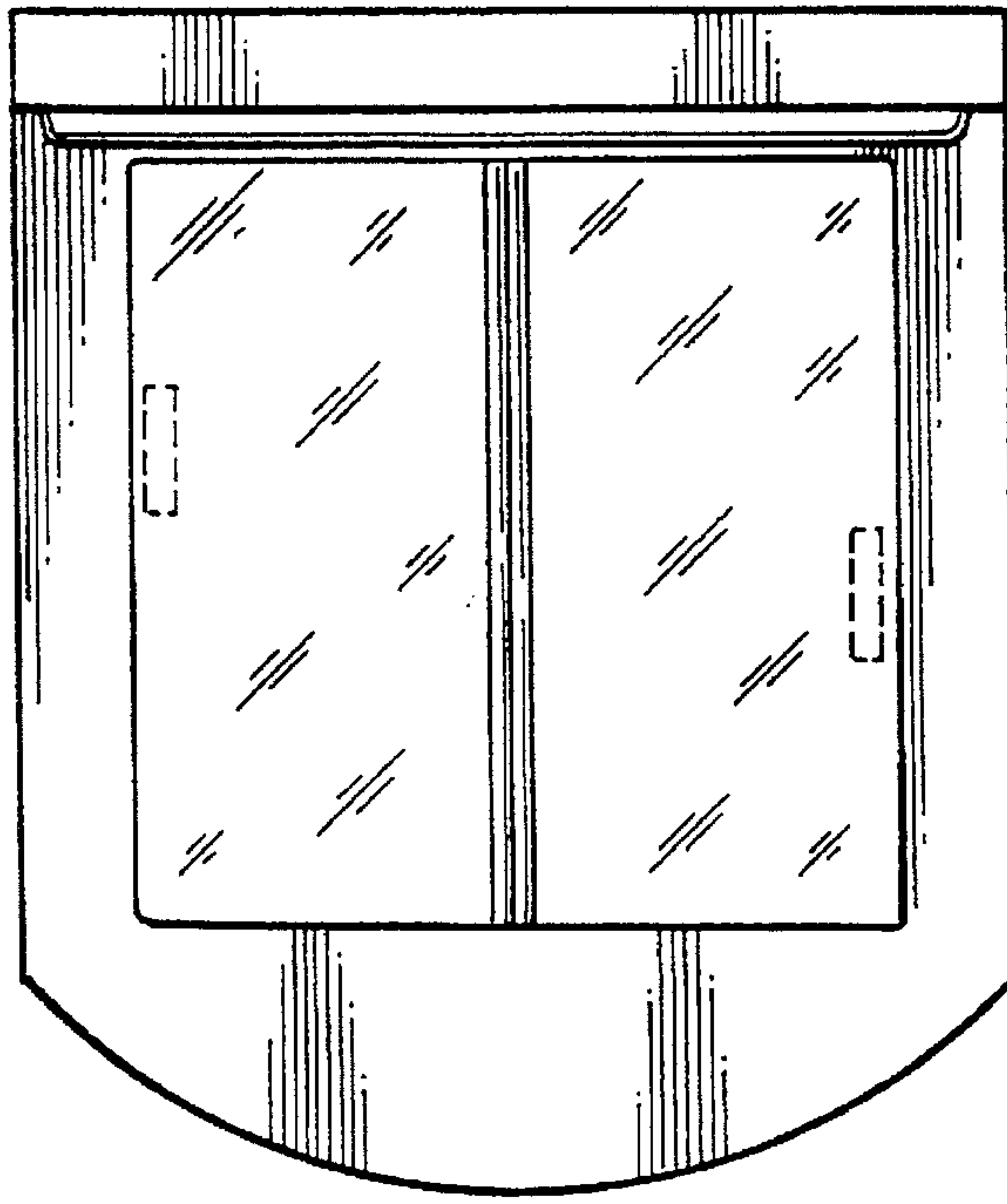


Fig. 5

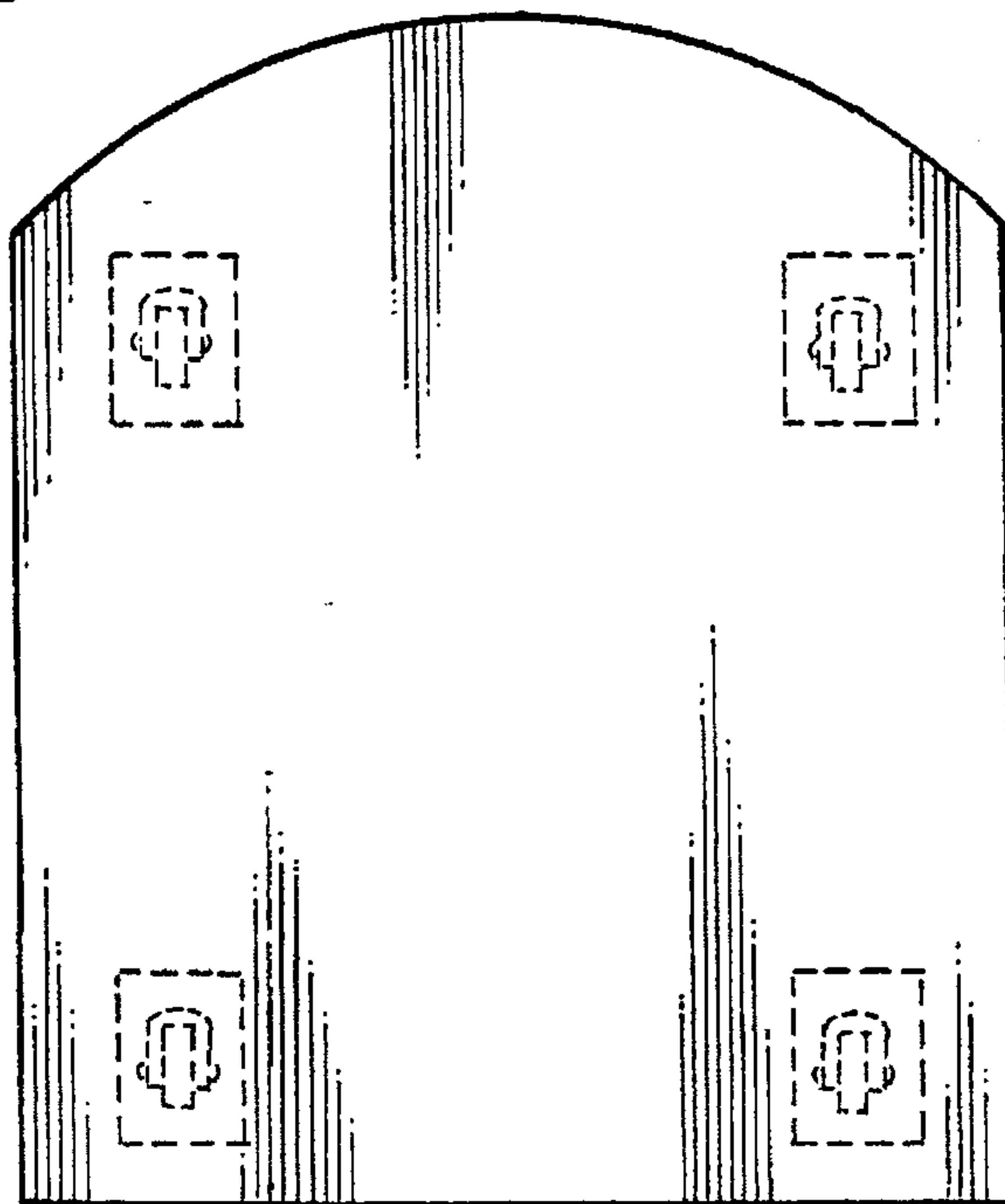


Fig. 6

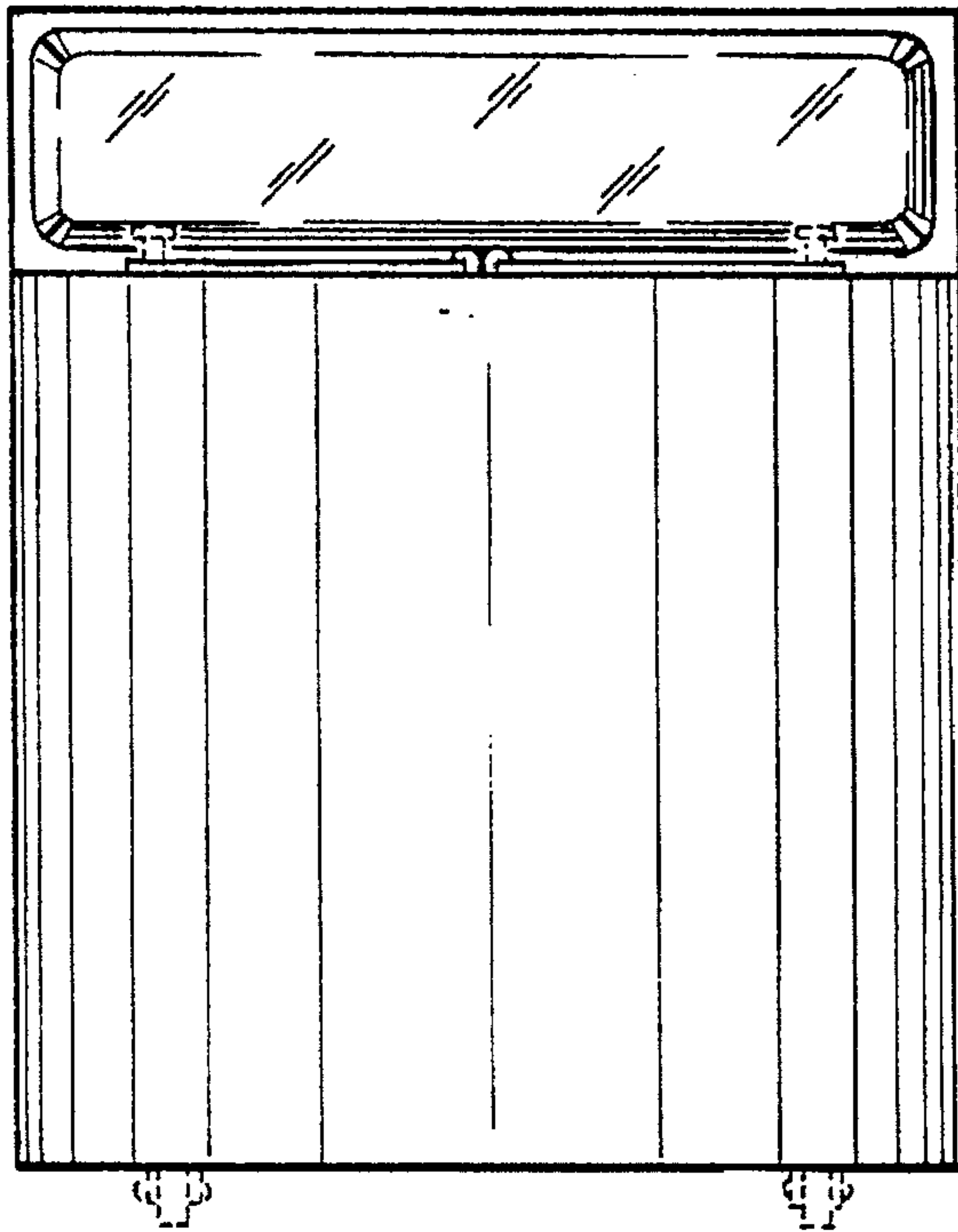


Fig. 7

