



US00D379465S

United States Patent [19]

[11] Patent Number: **Des. 379,465**

Peterson, Jr.

[45] Date of Patent: *****May 27, 1997**

[54] **ICE CREAM FREEZER MERCHANDISER**

D. 334,495	4/1993	Blustos	D6/470
D. 349,829	8/1994	Bustos	D6/470
4,898,004	2/1990	Richardson	62/457.9
5,201,191	4/1993	Bustos	62/249
5,440,894	8/1995	Schaeffer et al.	62/203

[75] Inventor: **Richard H. Peterson, Jr.**, San Francisco, Calif.

[73] Assignee: **Dreyer's Grand Ice Cream, Inc.**, Oakland, Calif.

[*] Notice: The portion of the term of this patent subsequent to Dec. 10, 2010, has been disclaimed.

[**] Term: **14 Years**

[21] Appl. No.: **47,573**

[22] Filed: **Dec. 7, 1995**

[51] **LOC (6) Cl.** **15-07**

[52] **U.S. Cl.** **D15/84; D6/470**

[58] **Field of Search** **D15/79-86; D6/436, D6/470-472; 62/246-254, 293, 441, 444, 445, 457.1-457.9; 312/114, 116, 117, 119, 138.1, 139.2, 234.1, 236, 401-408**

[56] **References Cited**

U.S. PATENT DOCUMENTS

D. 92,639	6/1934	Worthington	D15/84
D. 149,860	6/1948	Daggett	D15/84
D. 181,258	10/1957	Kuhn	D6/471
D. 189,843	3/1961	Rhoads	D15/84
D. 278,193	4/1985	Boxall	D6/471
D. 317,454	6/1991	Matsumura et al.	D15/83

OTHER PUBLICATIONS

Silver King Brochure "Fresh Ideas" Frozen Treats display case SK-CTM.

Primary Examiner—Sandra L. Morris

Attorney, Agent, or Firm—Dorr, Carson, Sloan & Birney, P.C.

[57] **CLAIM**

The ornamental design for an ice cream freezer merchandiser, as shown and described.

DESCRIPTION

FIG. 1 is a top left side perspective view of an ice cream freezer merchandiser showing the design; FIG. 2 is a left side elevational view thereof; FIG. 3 is a right side elevational view thereof; FIG. 4 is a top plan view thereof; FIG. 5 is a bottom plan view thereof; FIG. 6 is a front elevational view thereof; and, FIG. 7 is a rear elevational view thereof.

The broken lines showing the wheels, boxes for the wheels, and the handles in FIGS. 1-7 are for illustrative purposes only and form no part of the claimed design.

1 Claim, 4 Drawing Sheets

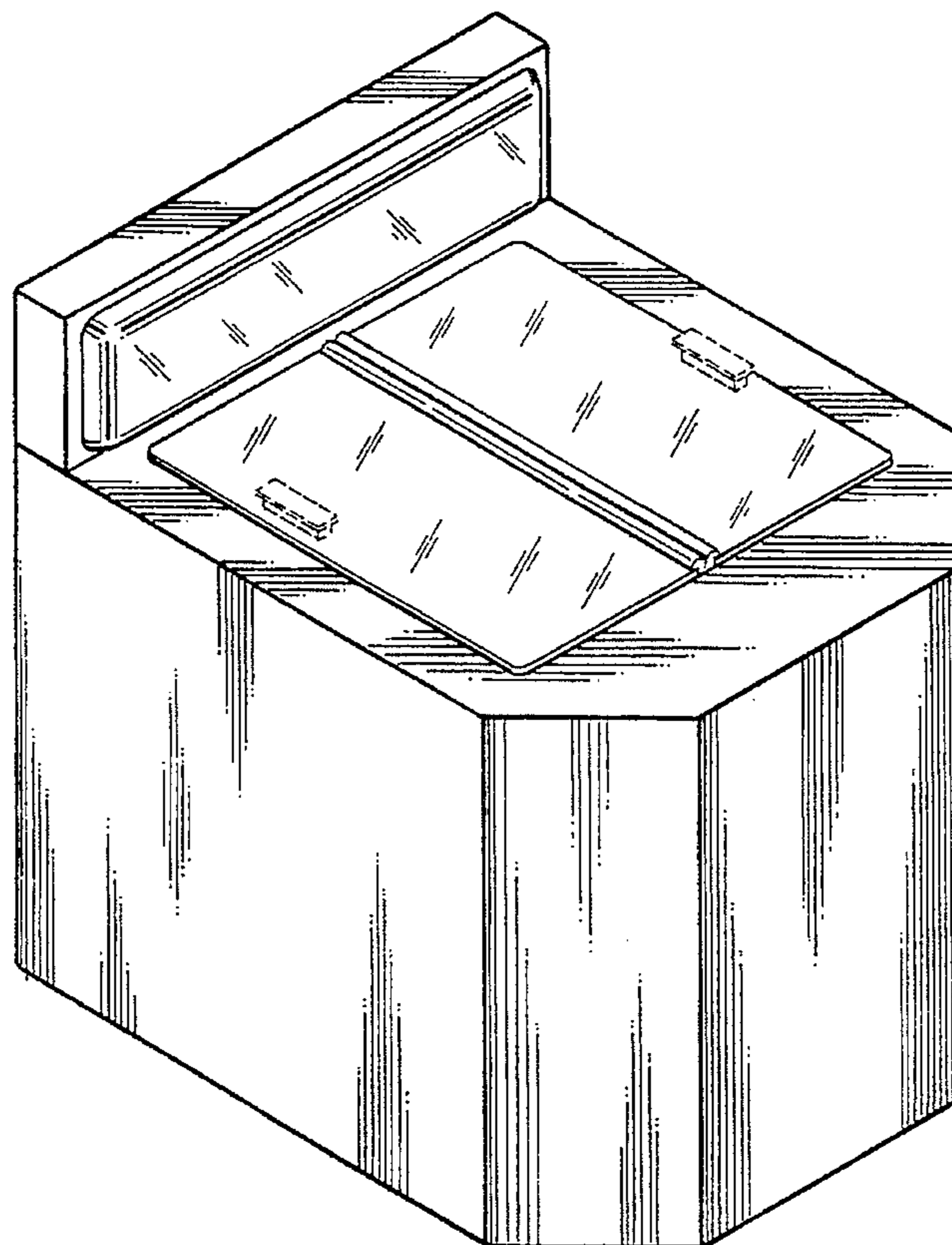


Fig. 1

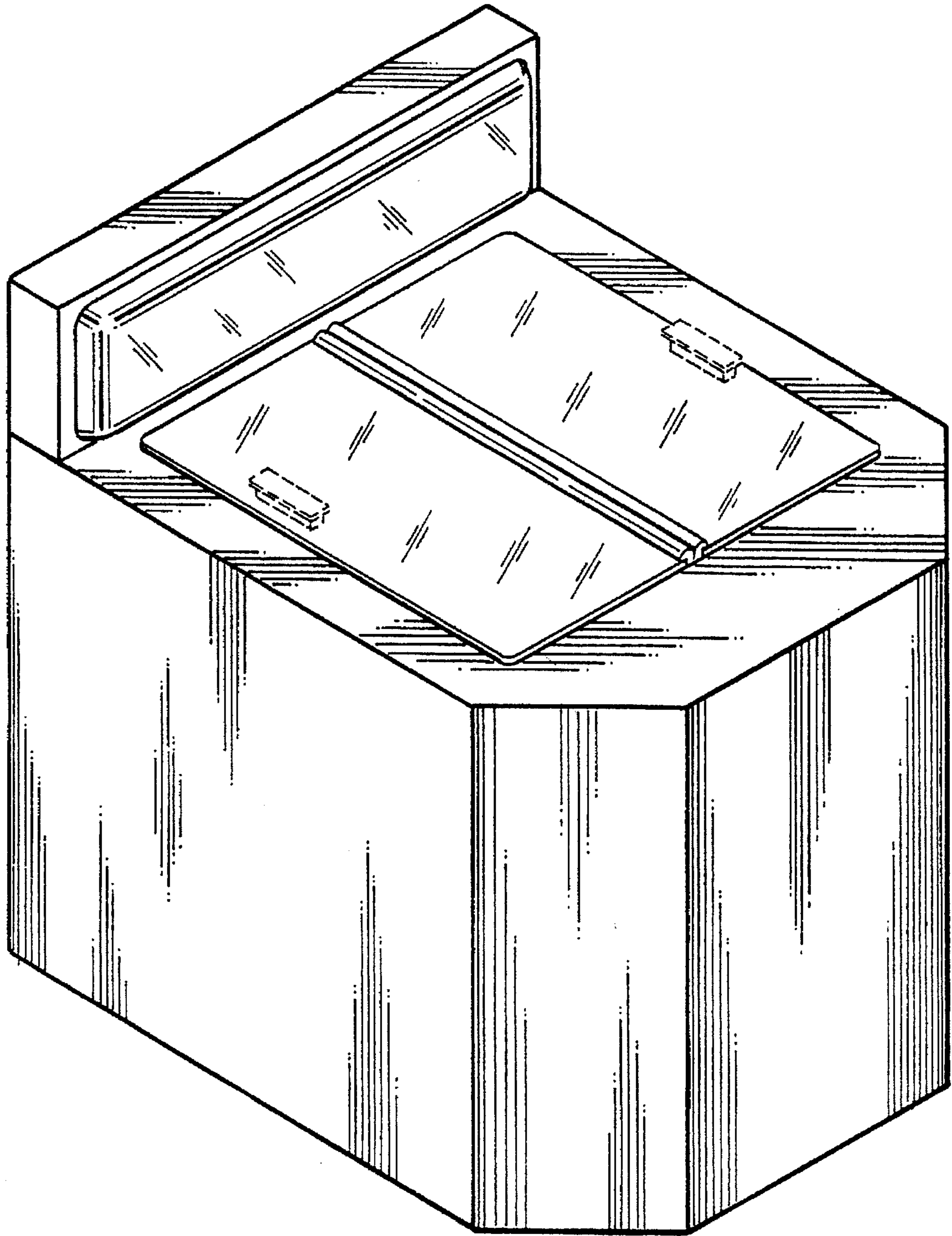


Fig. 2

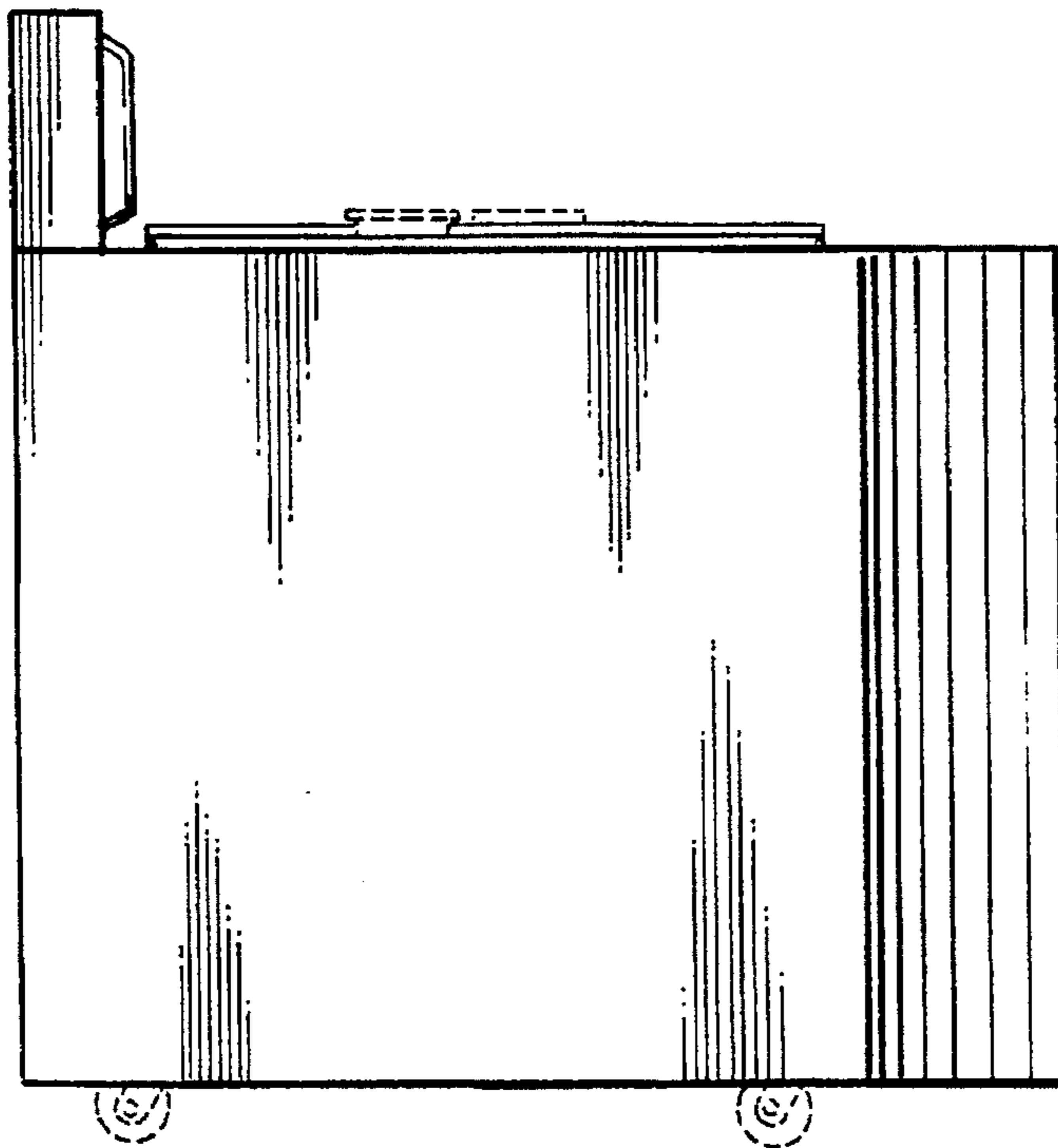


Fig. 3

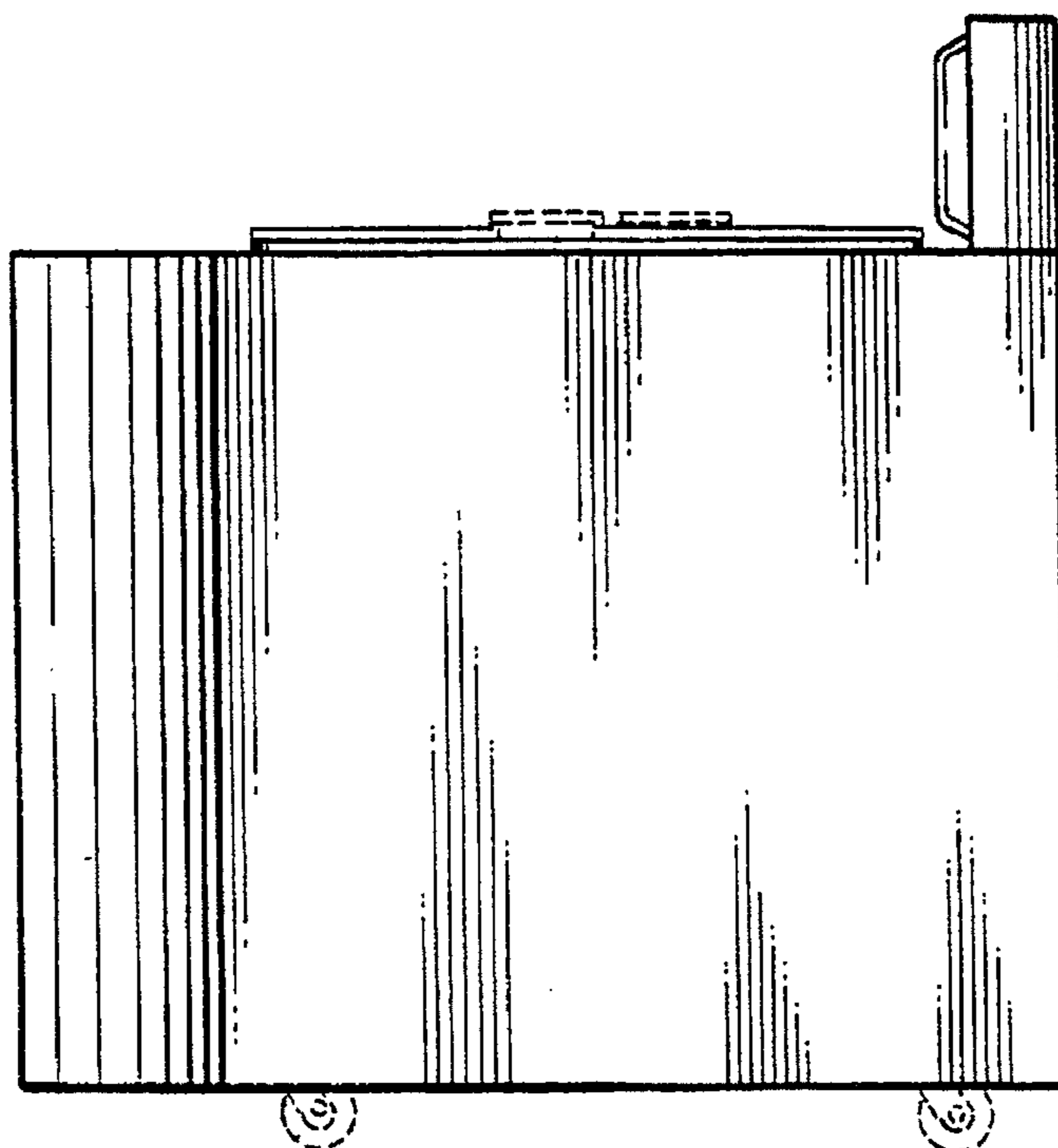


Fig. 4

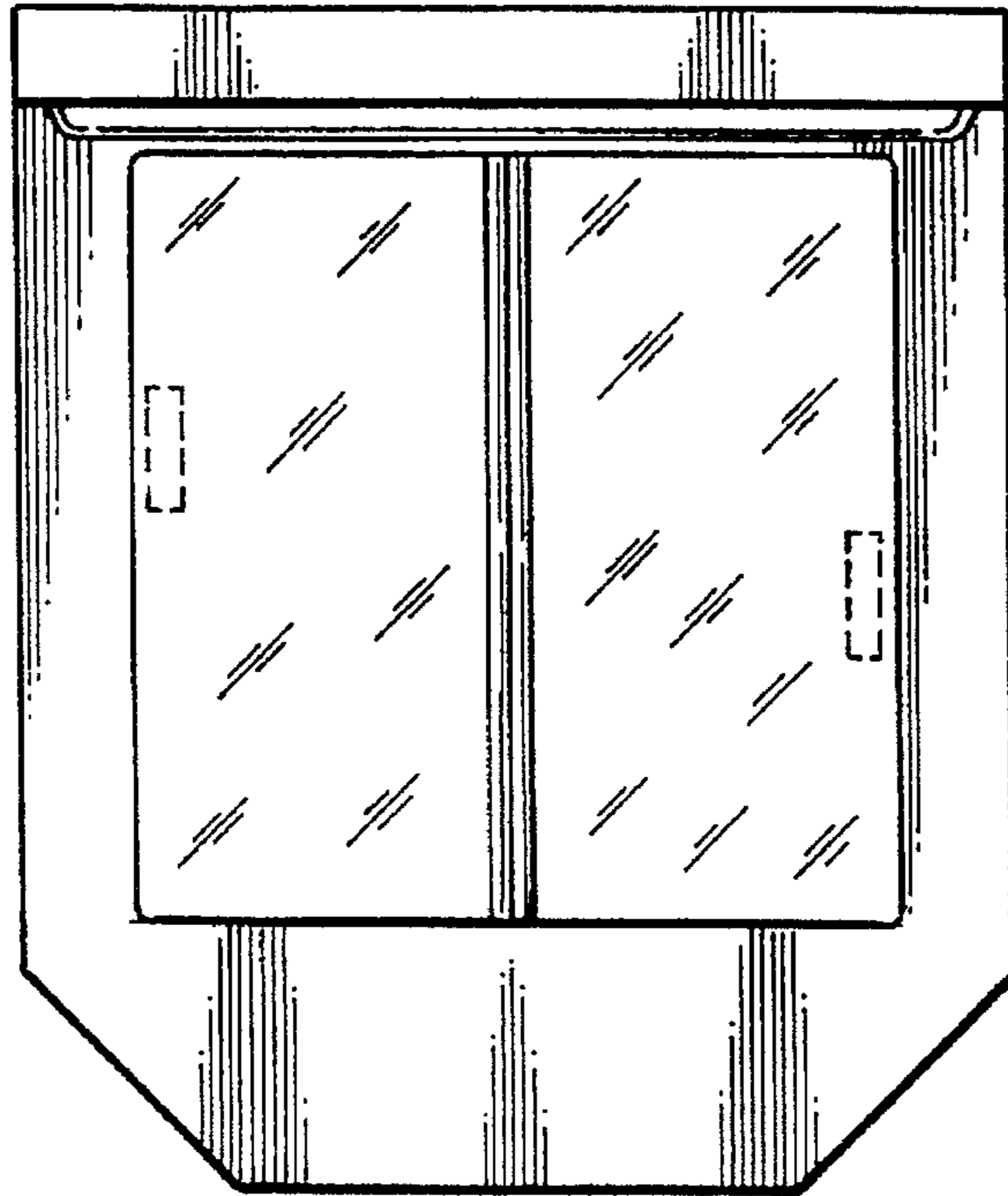


Fig. 5

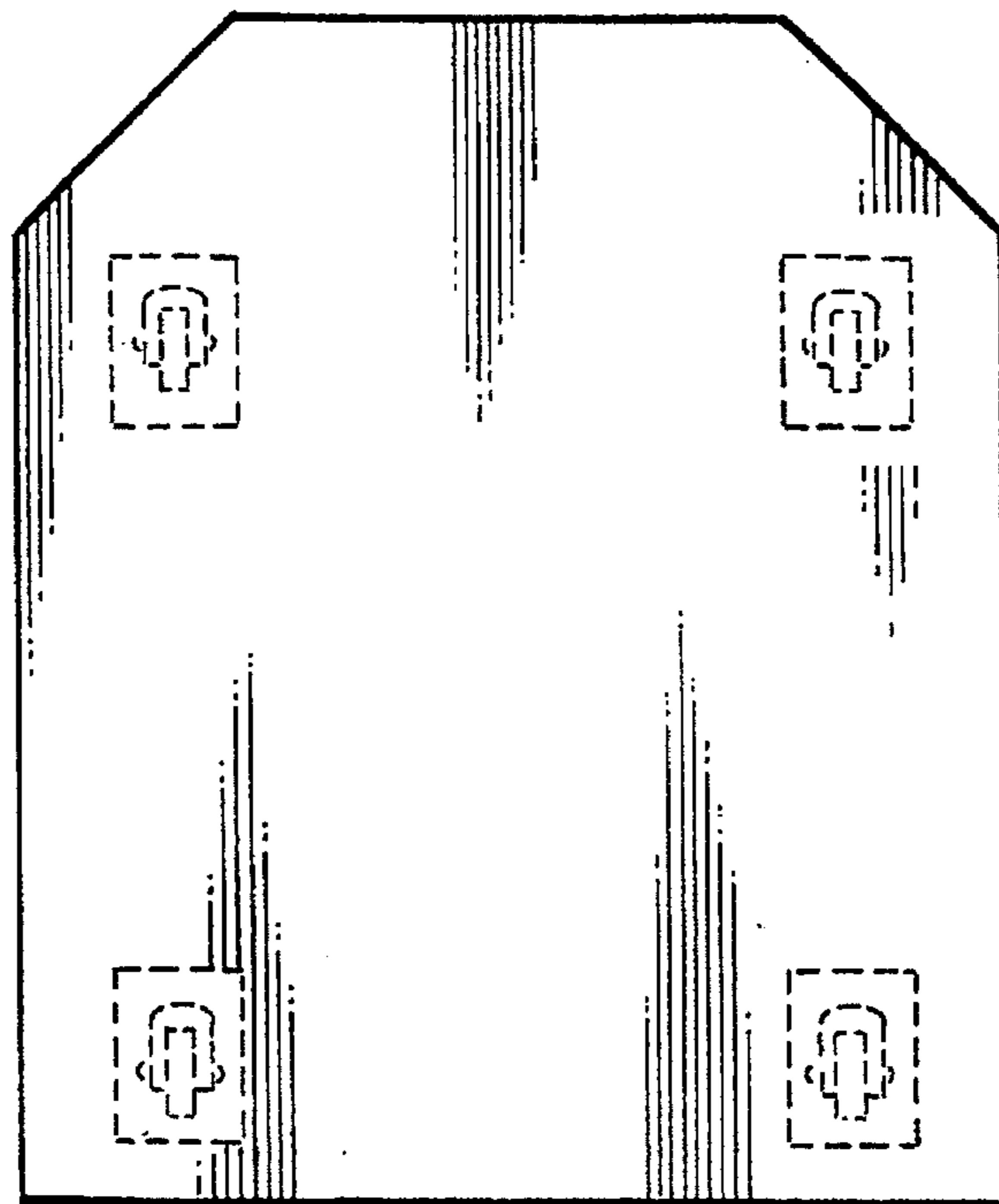


Fig. 6

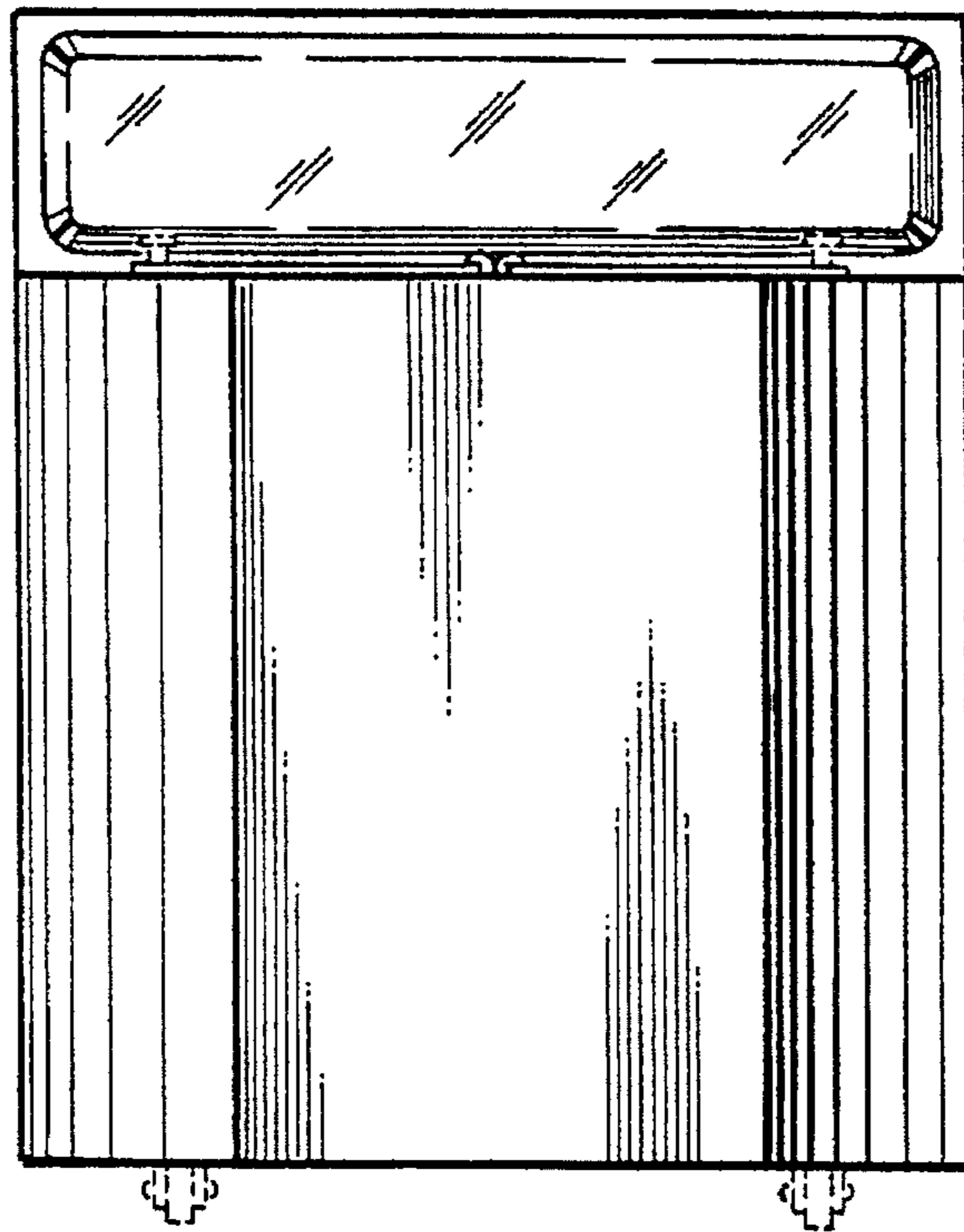


Fig. 7

