



US00D379463S

# United States Patent [19]

[11] Patent Number: Des. 379,463

Richter

[45] Date of Patent: \*\*May 27, 1997

[54] TELEPHONE HOLDER

[76] Inventor: **Herbert Richter**, Drosselweg 8, 75331 Engelbrand, Germany

[\*\*] Term: 14 Years

[21] Appl. No.: 54,170

[22] Filed: May 7, 1996

[51] LOC (6) Cl. .... 14-03

[52] U.S. Cl. .... D14/253

[58] Field of Search ..... D14/251, 253, D14/140, 240, 149-151, 100, 107, 114, 142; D13/107, 108; 379/419, 420, 428, 440, 454, 455, 446

[56] References Cited

U.S. PATENT DOCUMENTS

D. 314,173	1/1991	Soren et al.	.....	D13/108
D. 320,991	10/1991	Nagai et al.	.....	D14/138 X
D. 320,992	10/1991	Jondelius	.....	D14/253
D. 346,798	5/1994	Nagele	.....	D14/149
D. 362,004	9/1995	Nak et al.	.....	D14/253
D. 369,797	5/1996	Hillier et al.	.....	D13/108 X
D. 372,189	7/1996	Andis et al.	.....	D8/373
5,142,573	8/1992	Umezawa	.....	455/90 X
5,305,381	4/1994	Wang et al.	.....	379/454 X
5,457,745	10/1995	Wang	.....	379/455 X
5,463,688	10/1995	Wijas	.....	379/455 X

FOREIGN PATENT DOCUMENTS

5-167657 7/1993 Japan ..... 379/455

Primary Examiner—Jeffrey Asch  
Attorney, Agent, or Firm—Klaus J. Bach

[57] CLAIM

The ornamental design for a telephone holder, as shown and described.

DESCRIPTION

FIG. 1 is a perspective view of the telephone holder showing my new design;

FIG. 2 is a front end view of the telephone holder shown in FIG. 1;

FIG. 3 is a rear end view of the telephone holder of shown in FIG. 1;

FIG. 4 is a side view of the telephone holder as seen from the left side of FIG. 3;

FIG. 5 is a side view of the telephone holder as seen from the right side of FIG. 3;

FIG. 6 is a top view of the telephone holder shown in FIG. 1;

FIG. 7 is a bottom view of the telephone holder shown in FIG. 1;

FIG. 8 is a perspective view of a second embodiment of the telephone holder of FIG. 1, the only difference being in the grooved grid schematically depicted at each side, the grid pattern being continuous about the surfaces on which it is partially shown;

FIG. 9 is a front end view of the telephone holder as shown in FIG. 8;

FIG. 10 is a rear end view of the telephone holder as shown in FIG. 8;

FIG. 11 is a side view of the telephone holder as seen from the left side of FIG. 10;

FIG. 12 is a side view of the telephone holder as seen from the right side of FIG. 10;

FIG. 13 is a top view of the telephone holder shown in FIG. 10; and,

FIG. 14 is a bottom view of the telephone holder shown in FIG. 10.

1 Claim, 8 Drawing Sheets

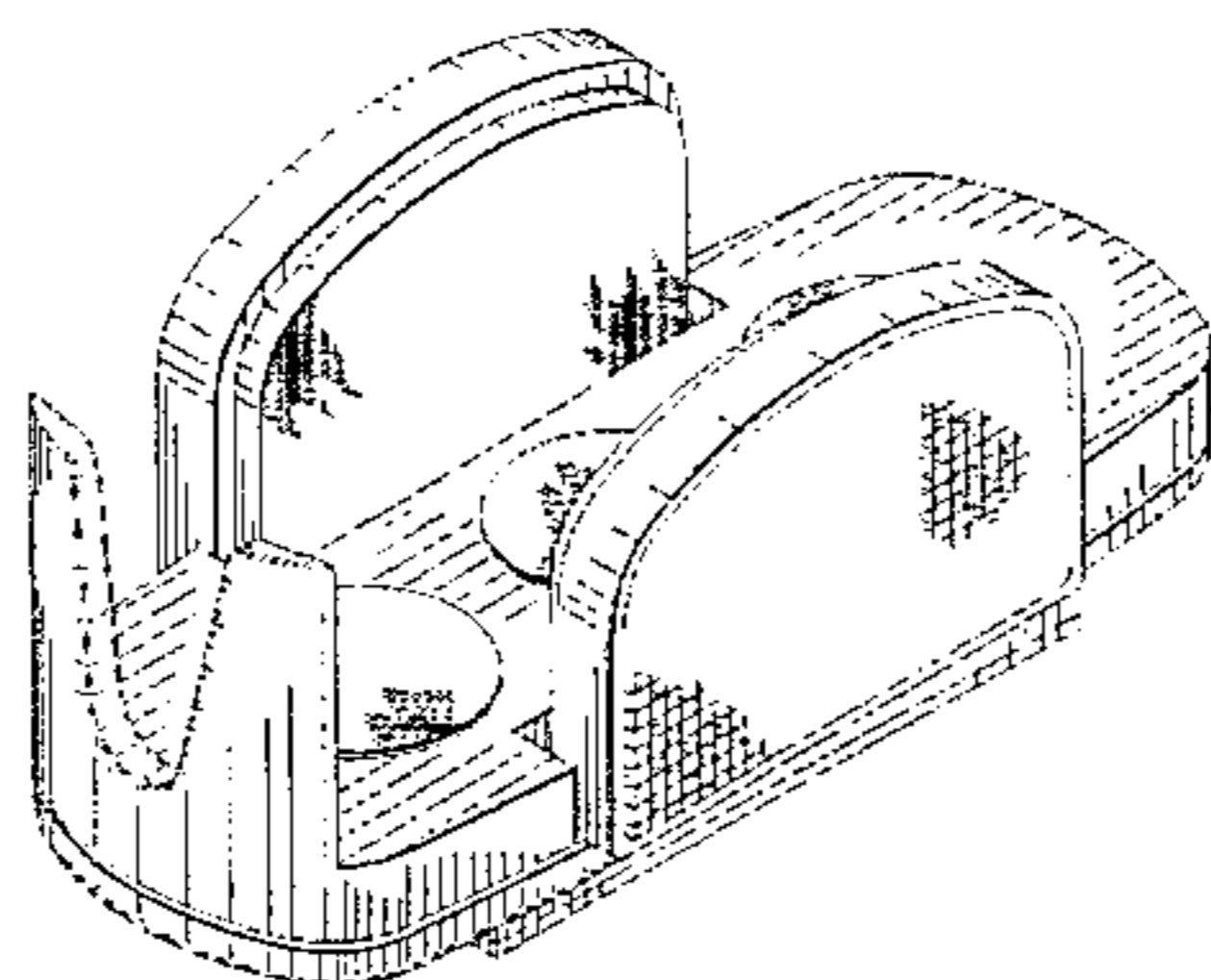
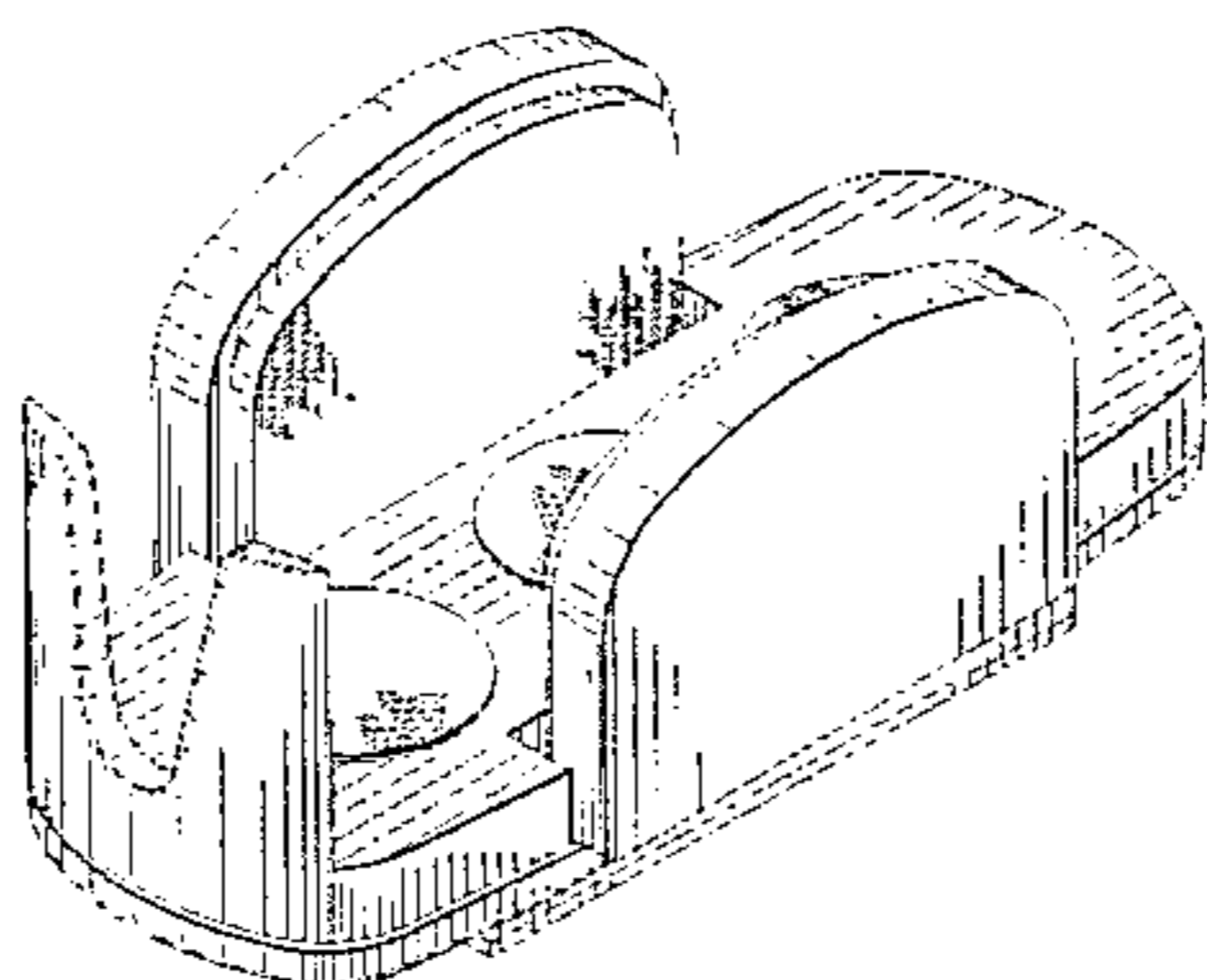
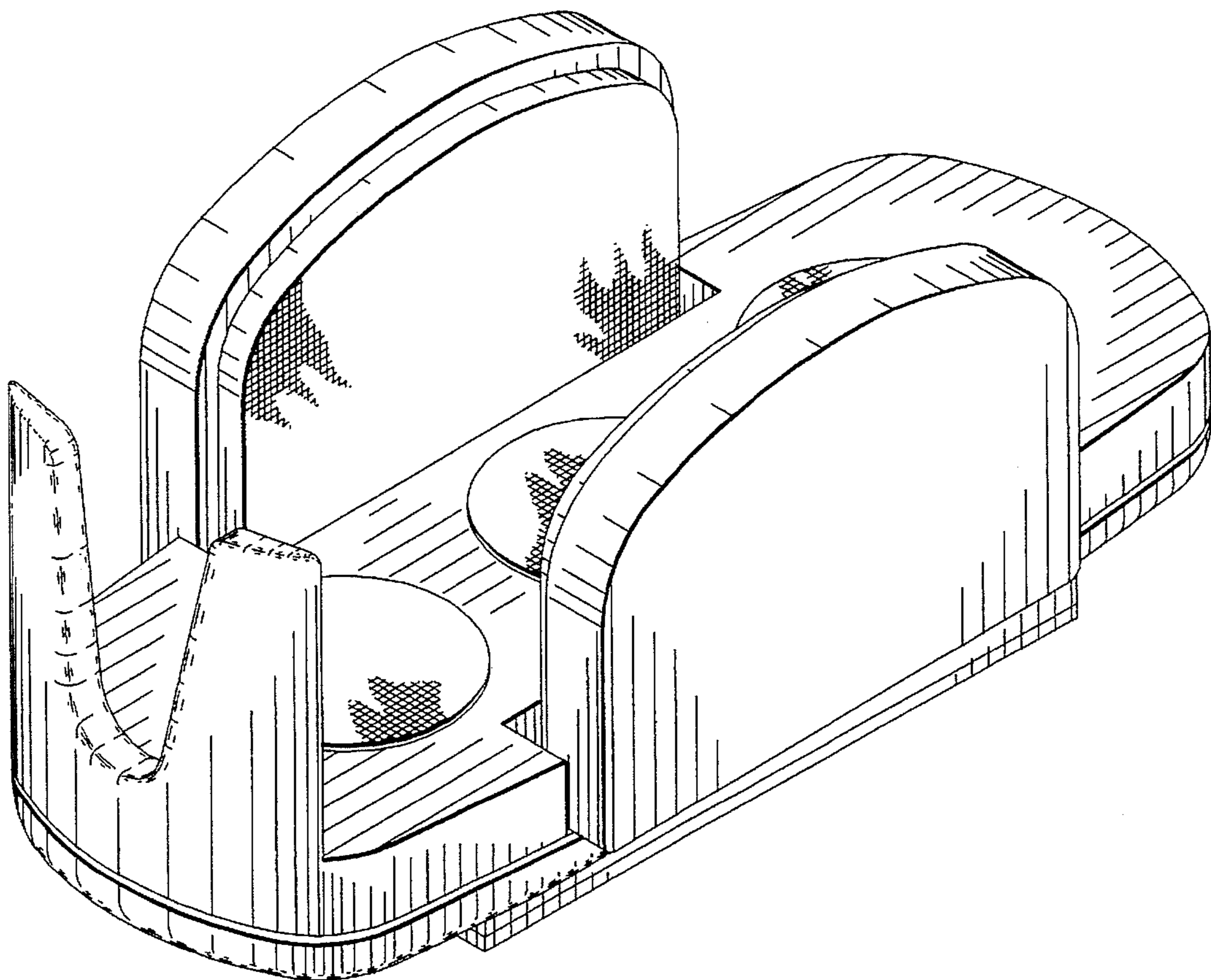
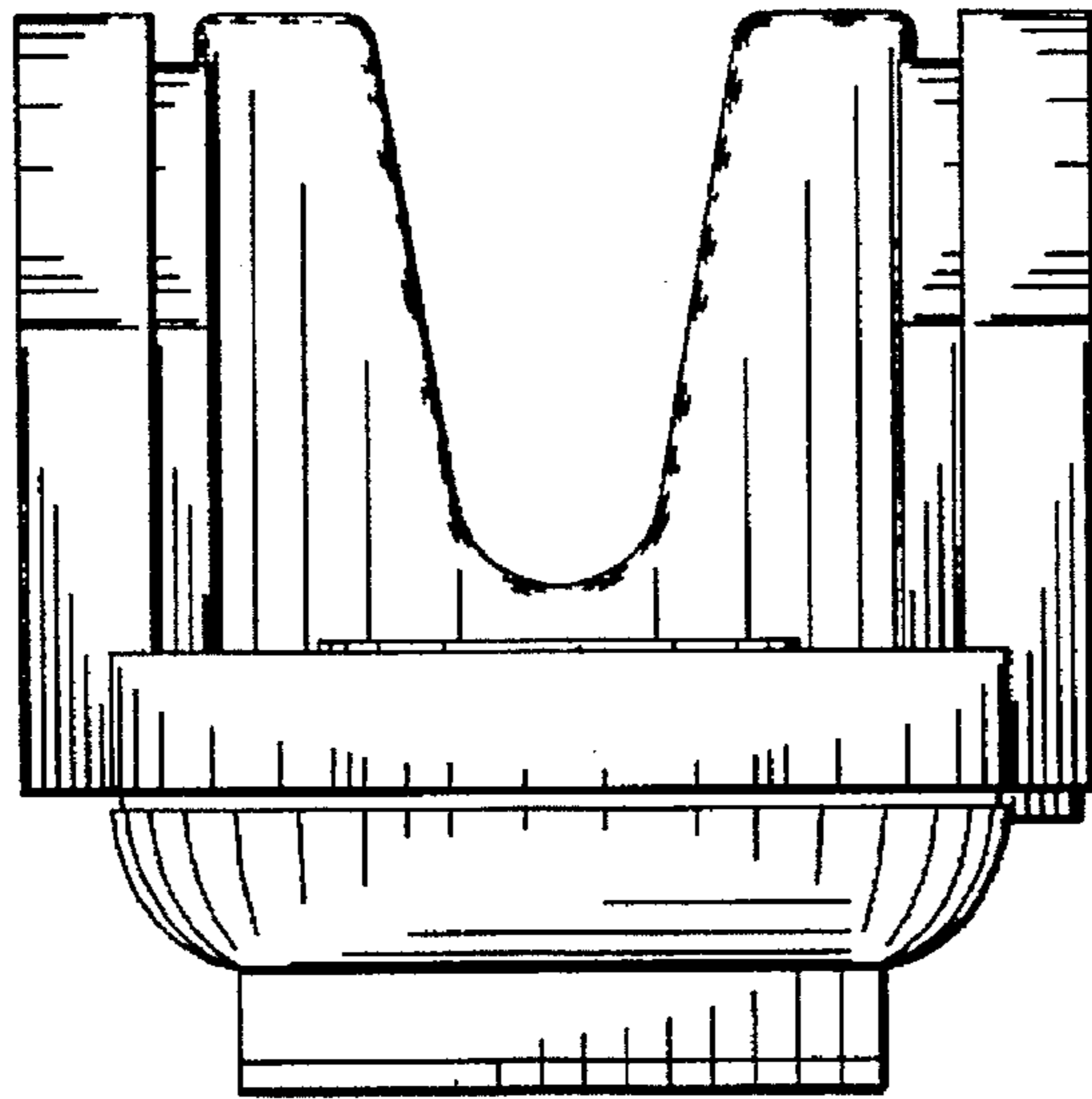
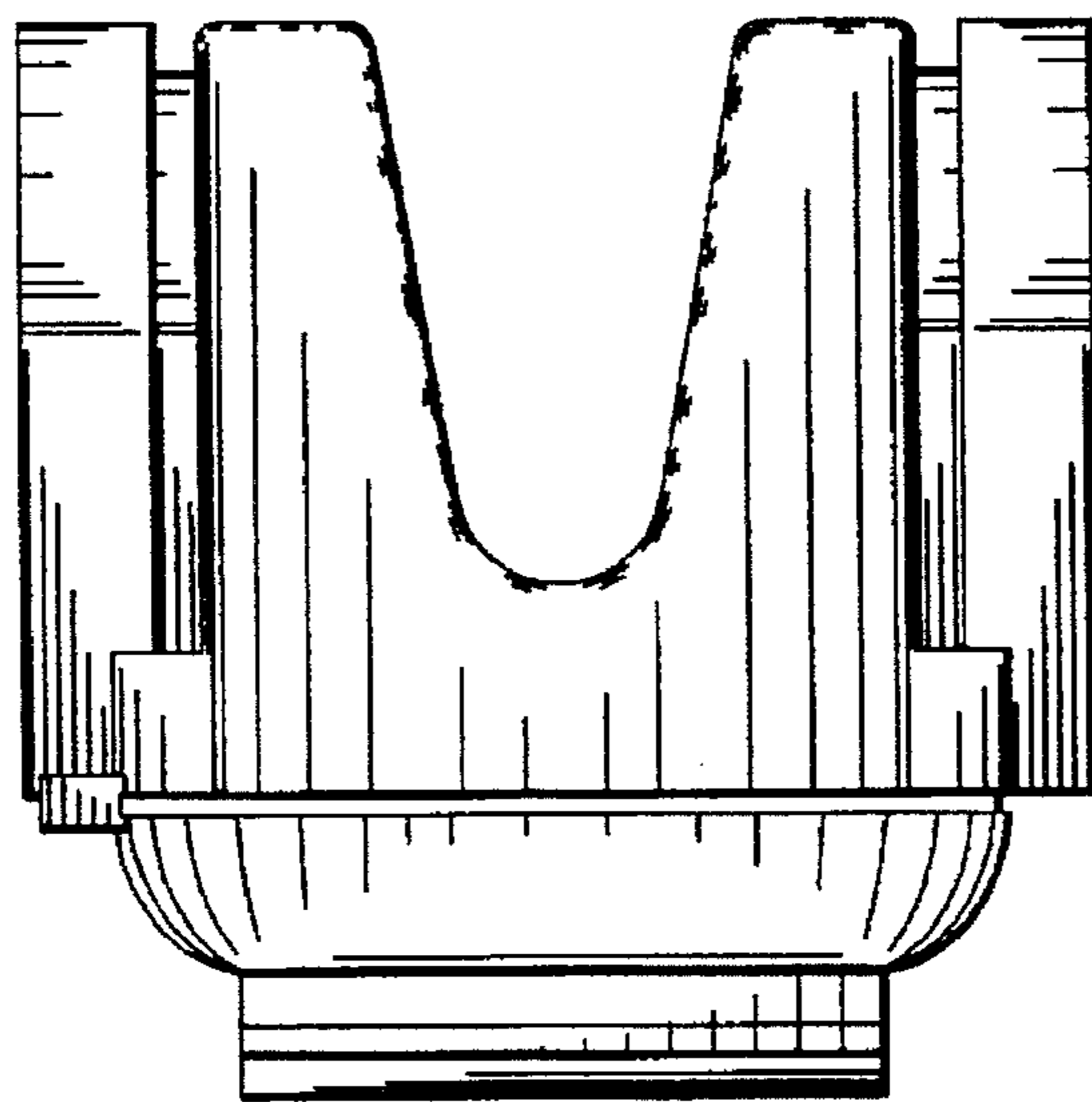


FIG. 1





*FIG. 2*



*FIG. 3*

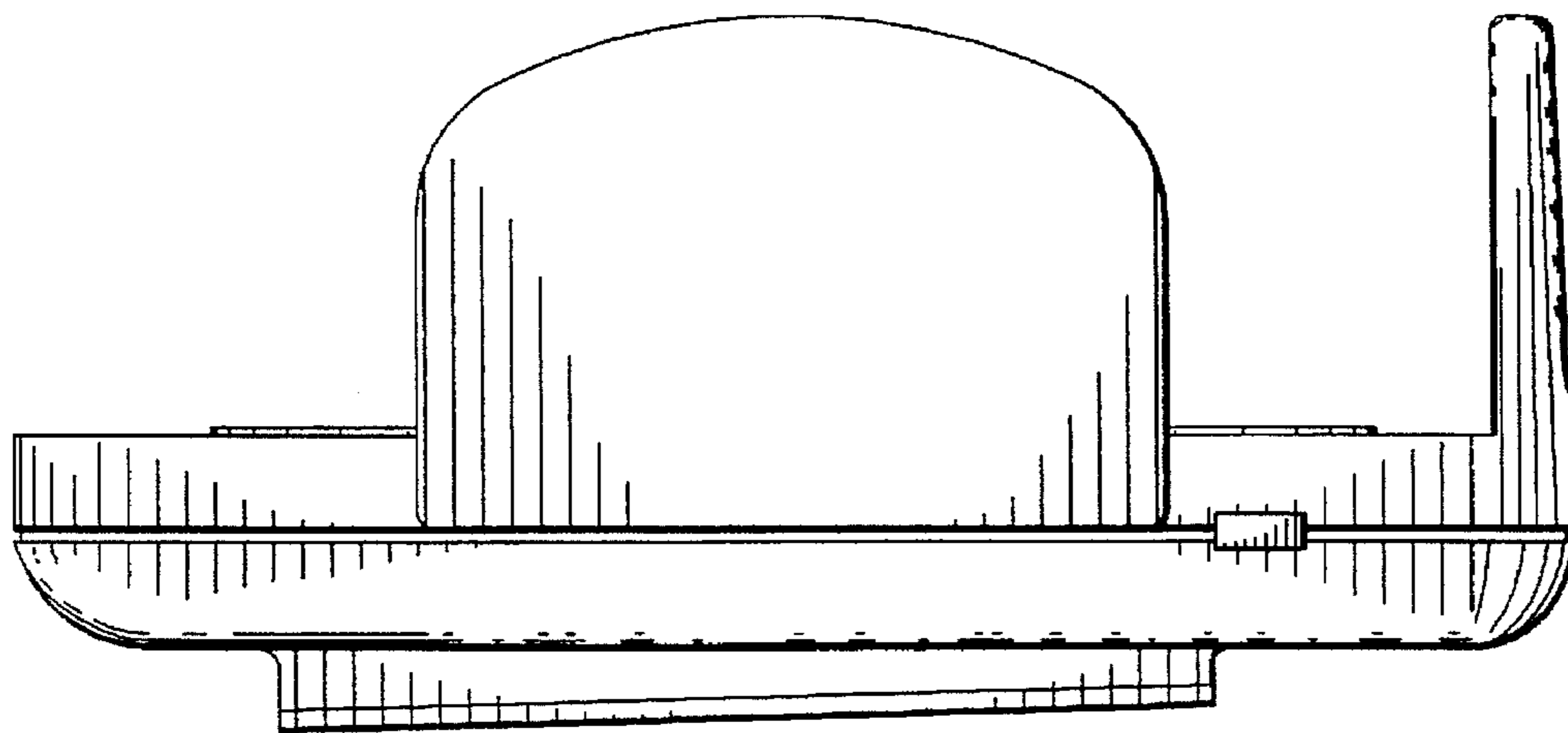


FIG. 4

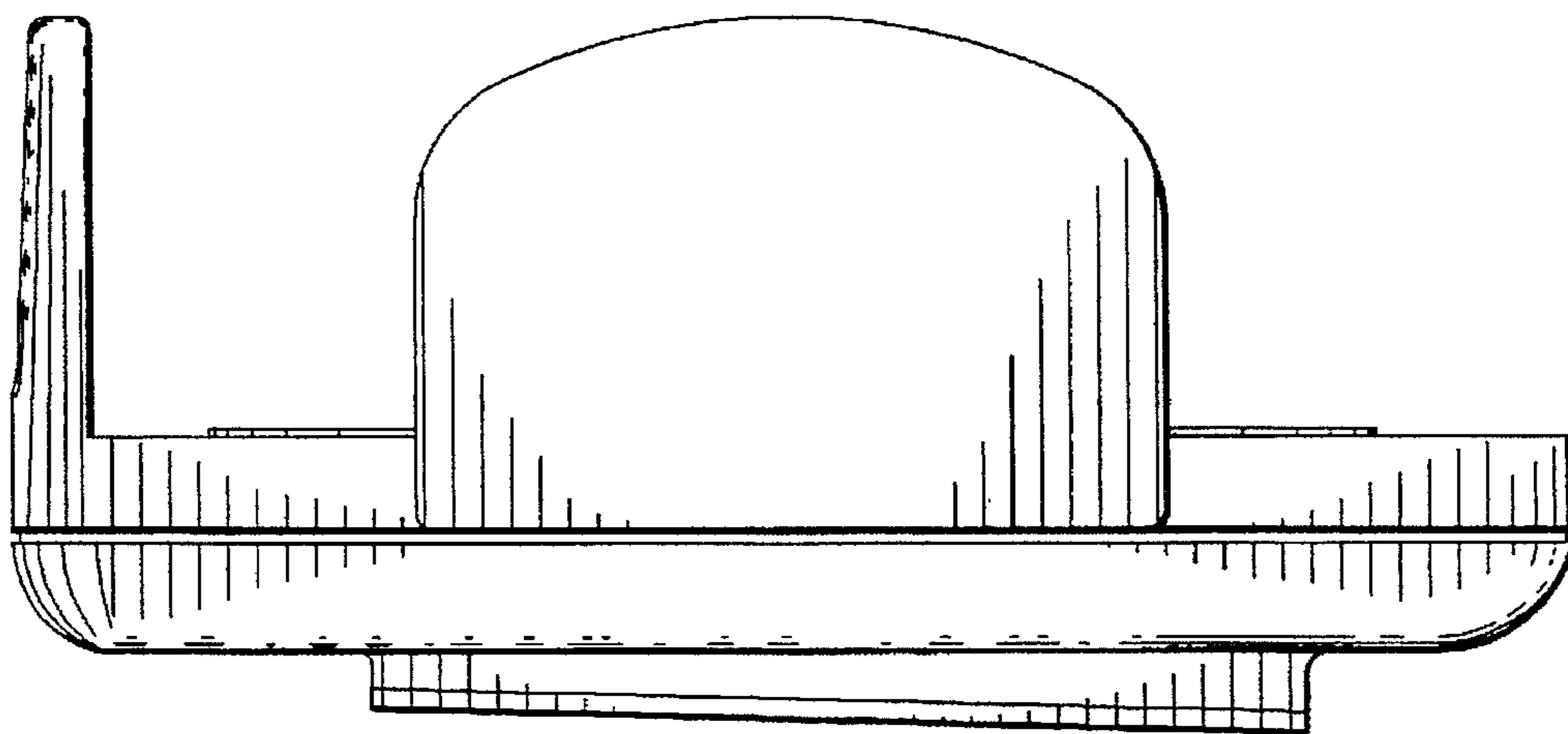


FIG. 5

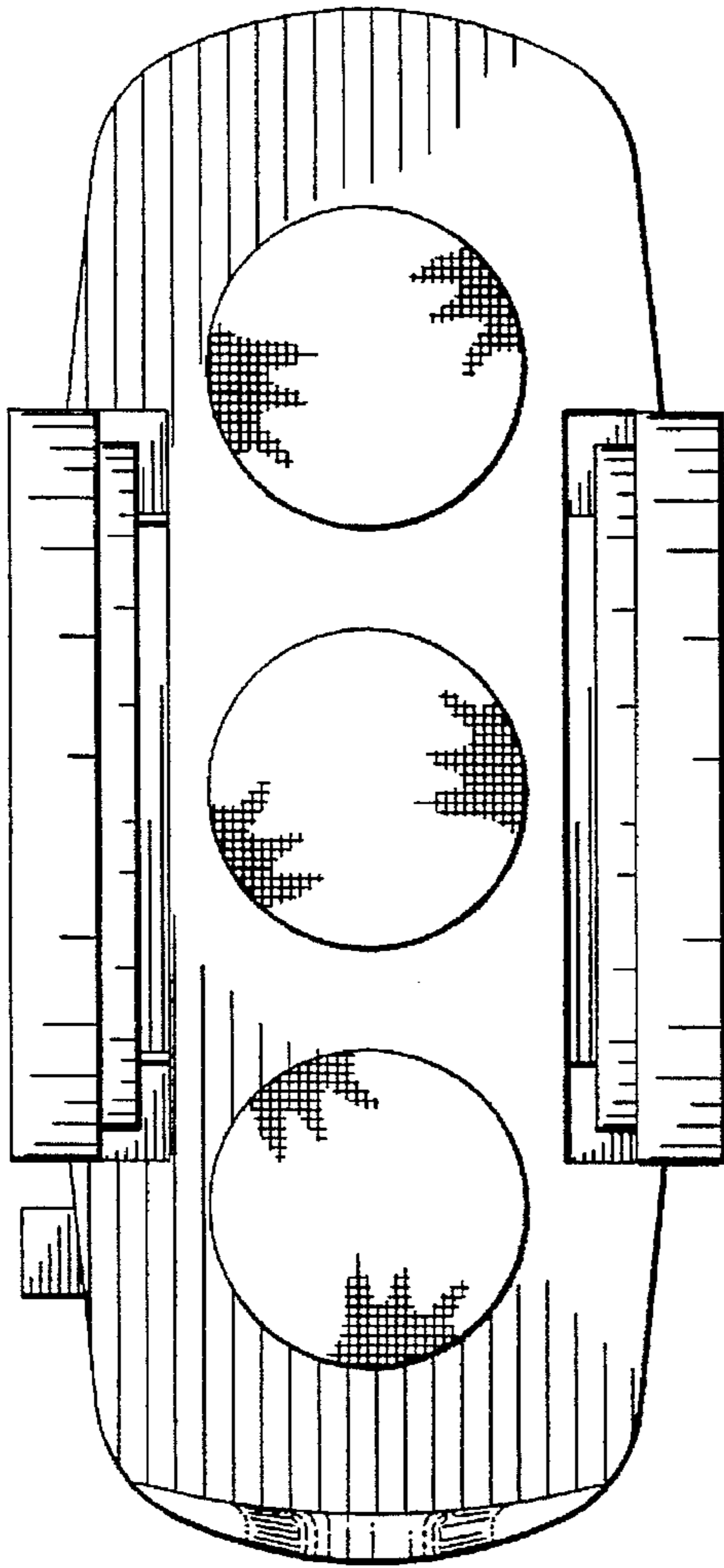


FIG. 6

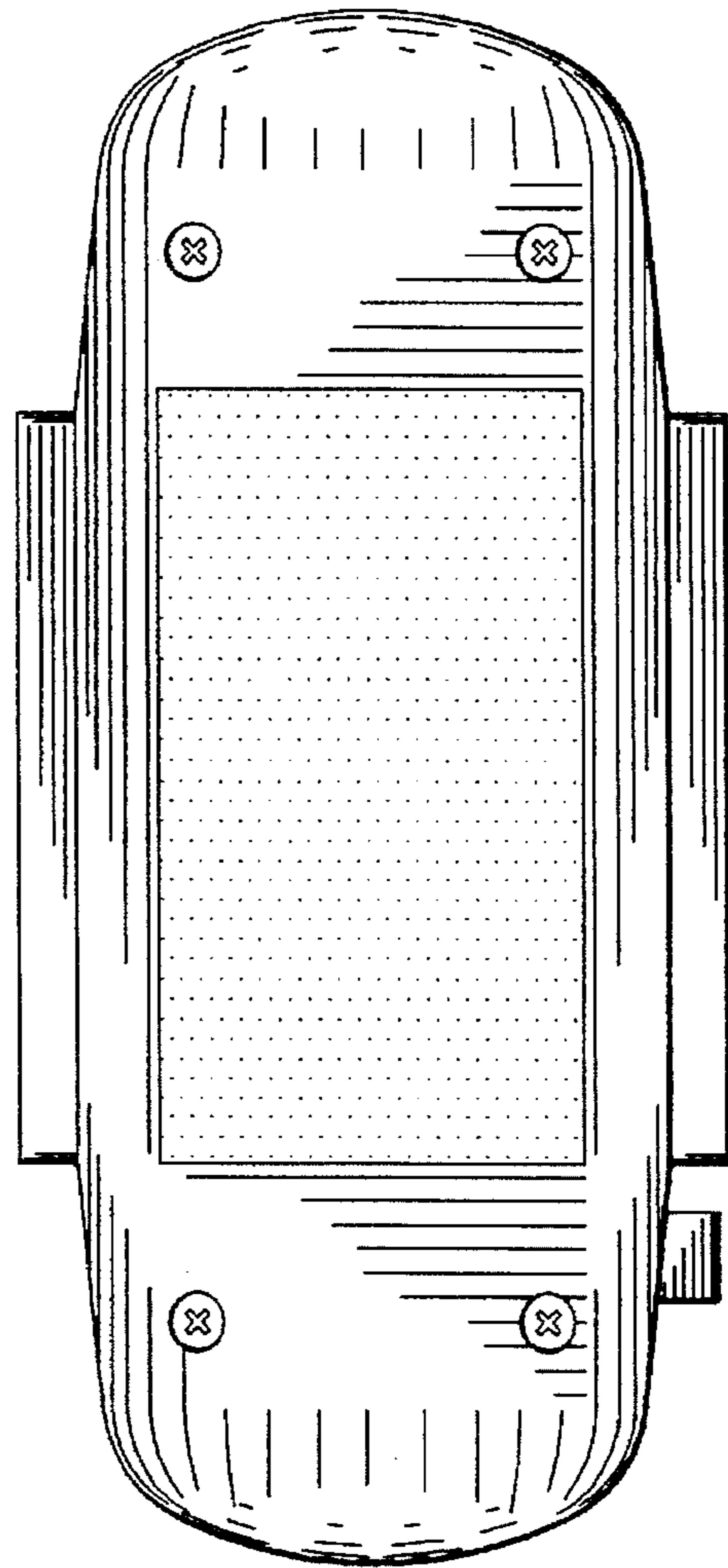
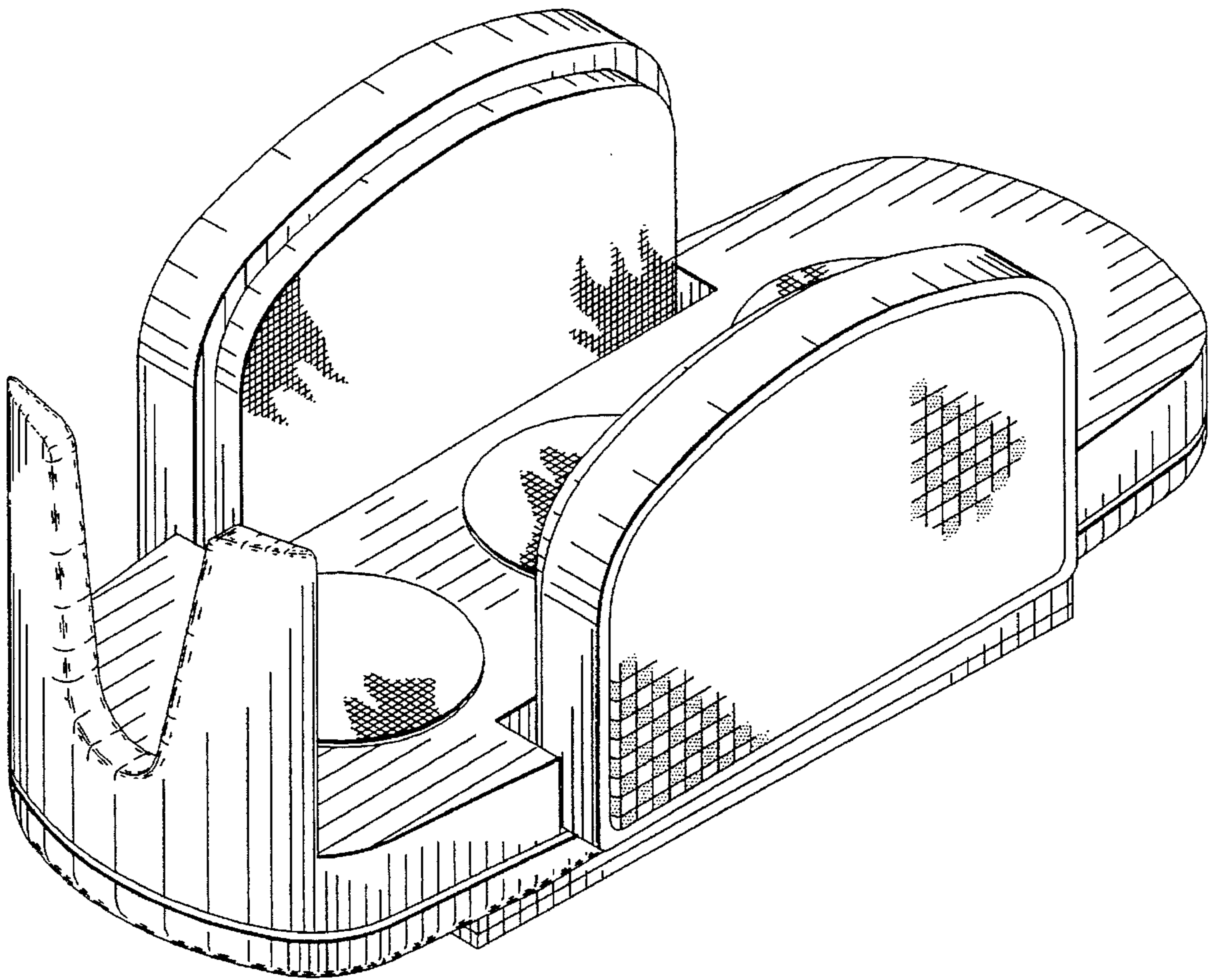
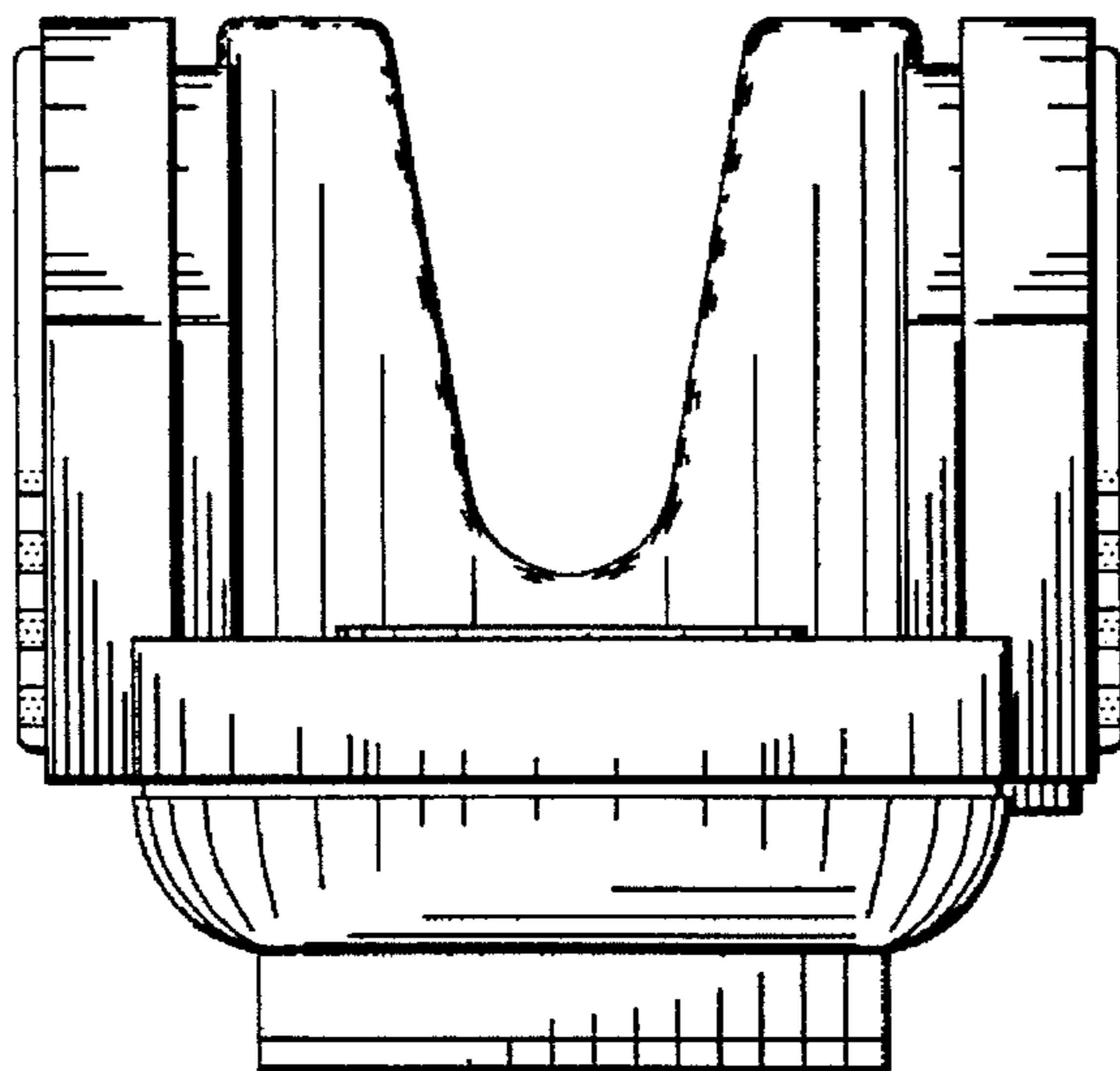


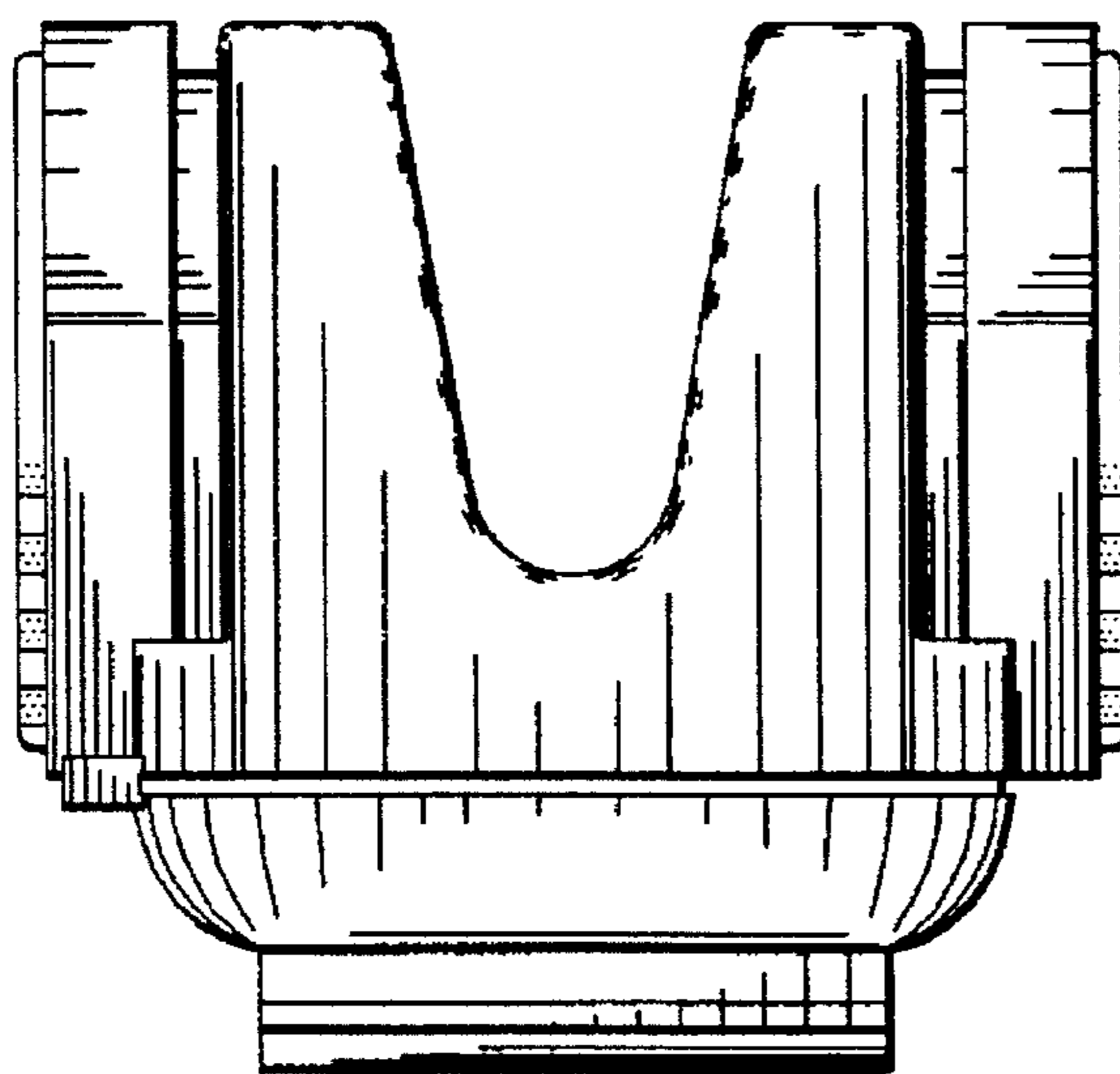
FIG. 7

FIG. 8





*FIG. 9*



*FIG. 10*

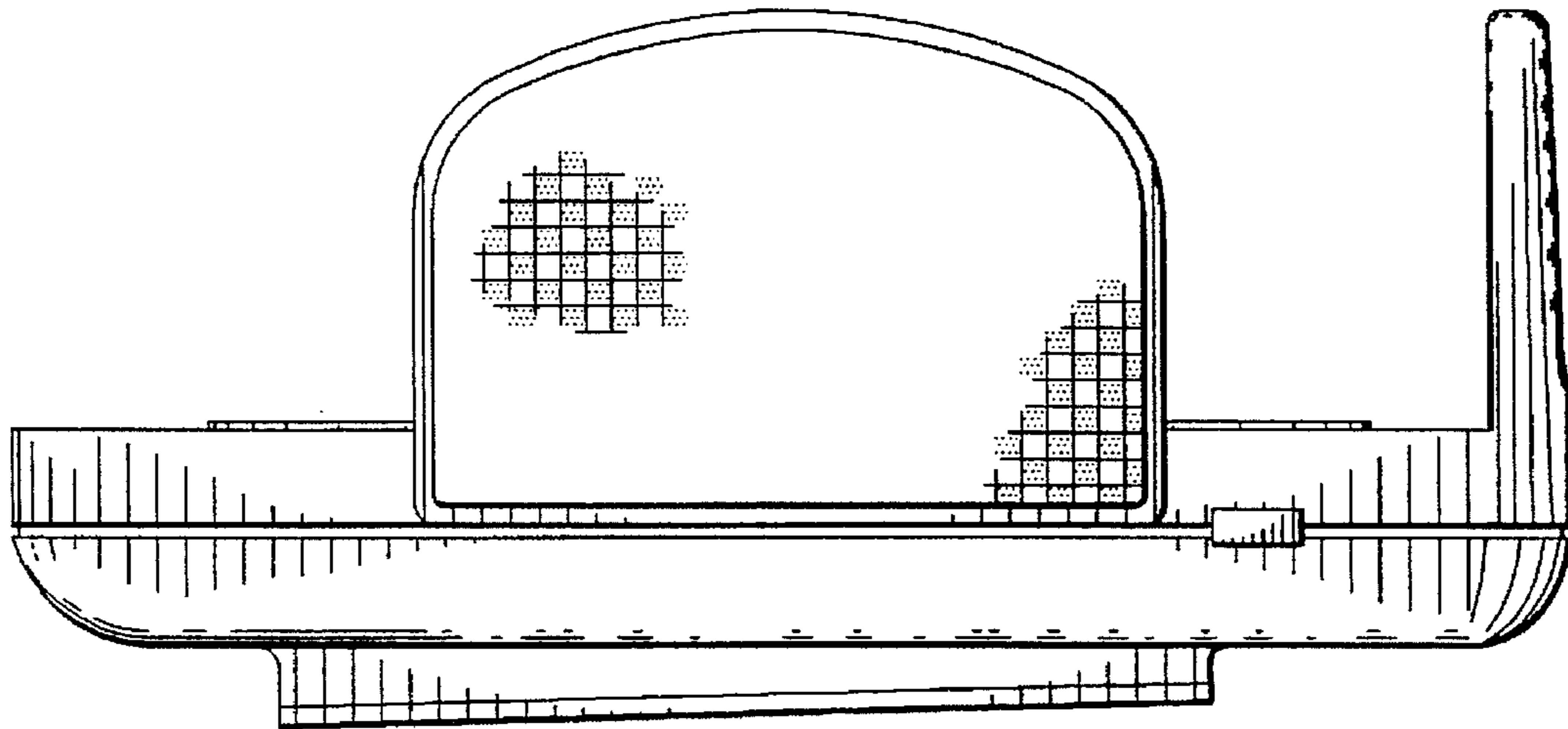


FIG. 11

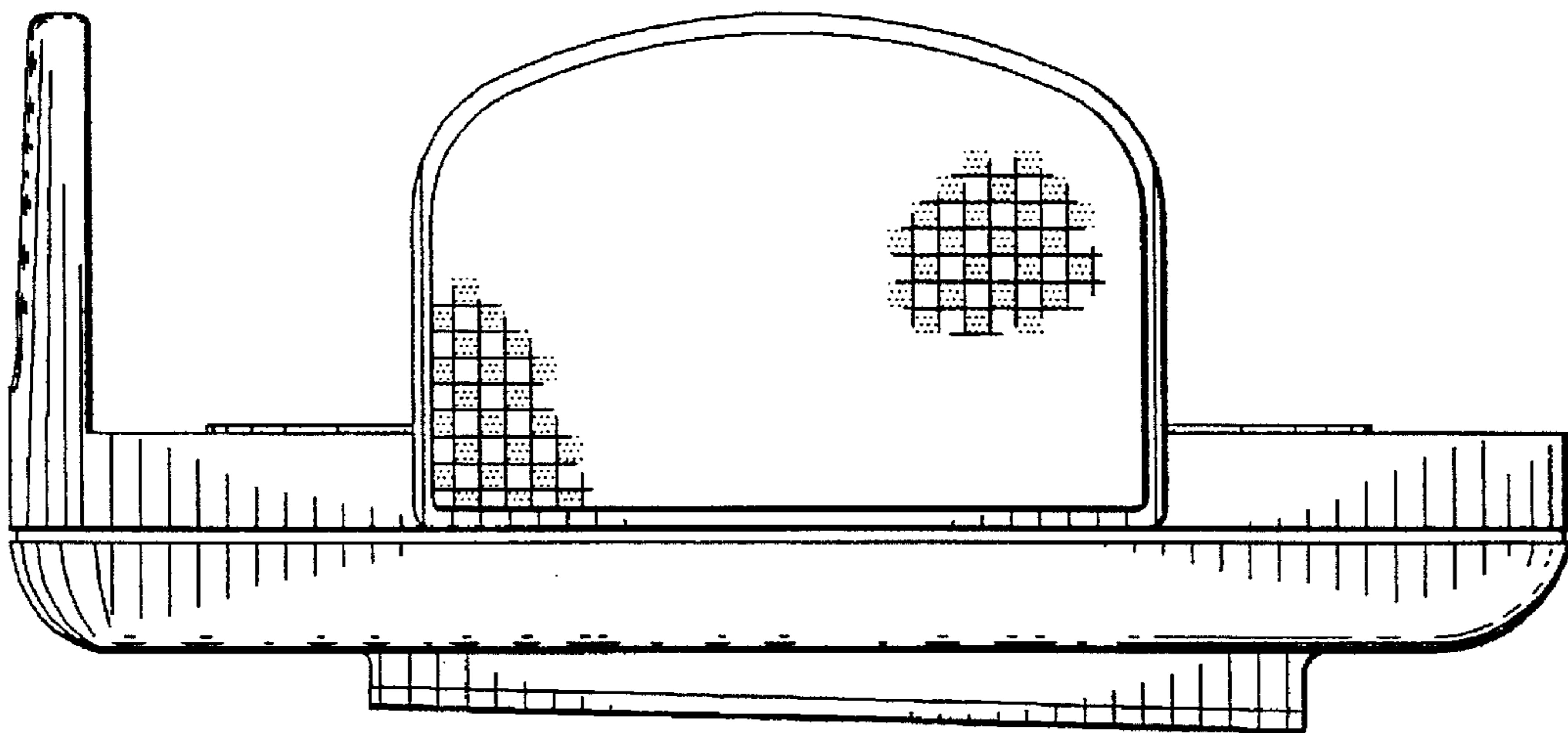


FIG. 12



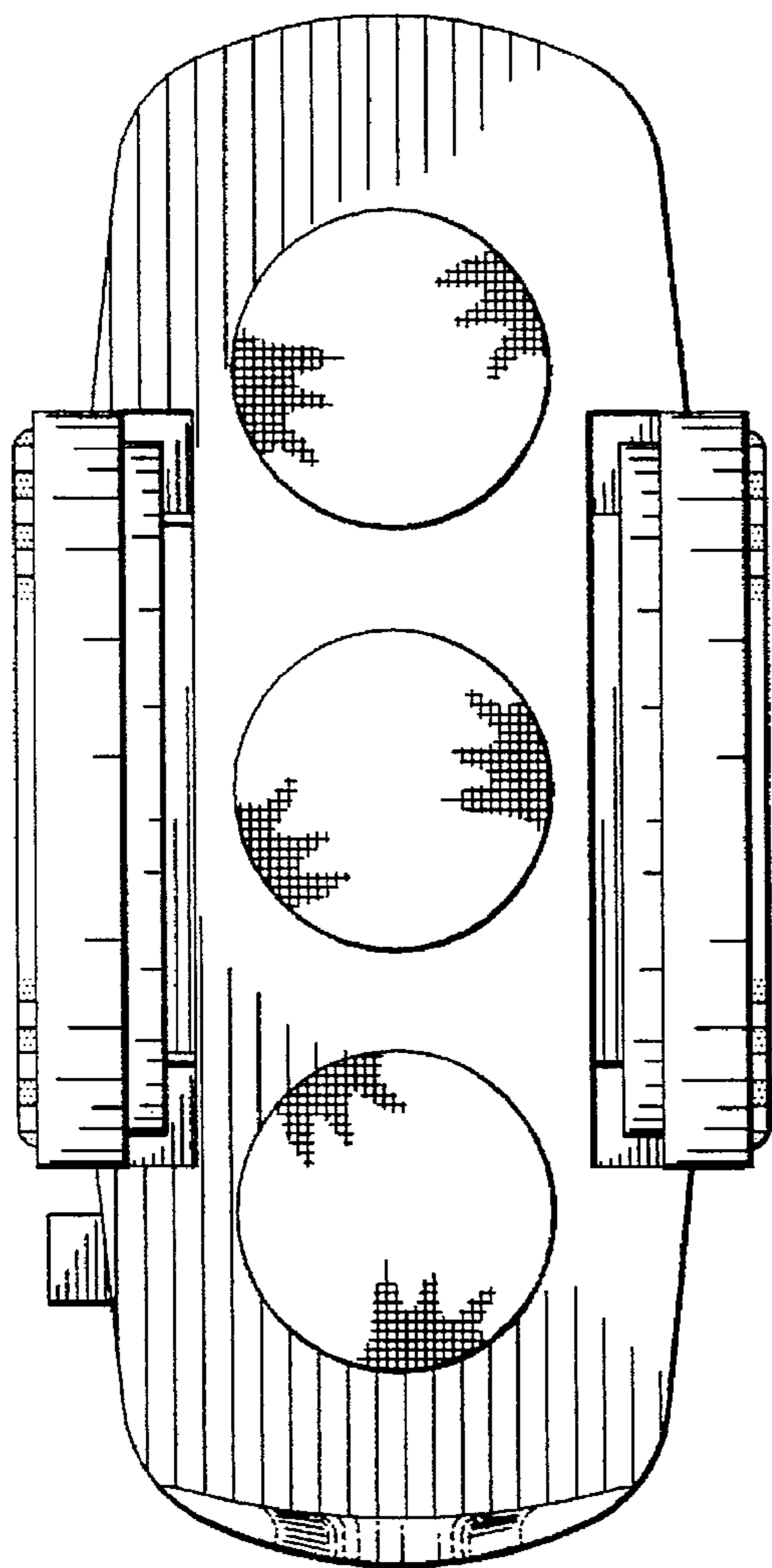


FIG. 13

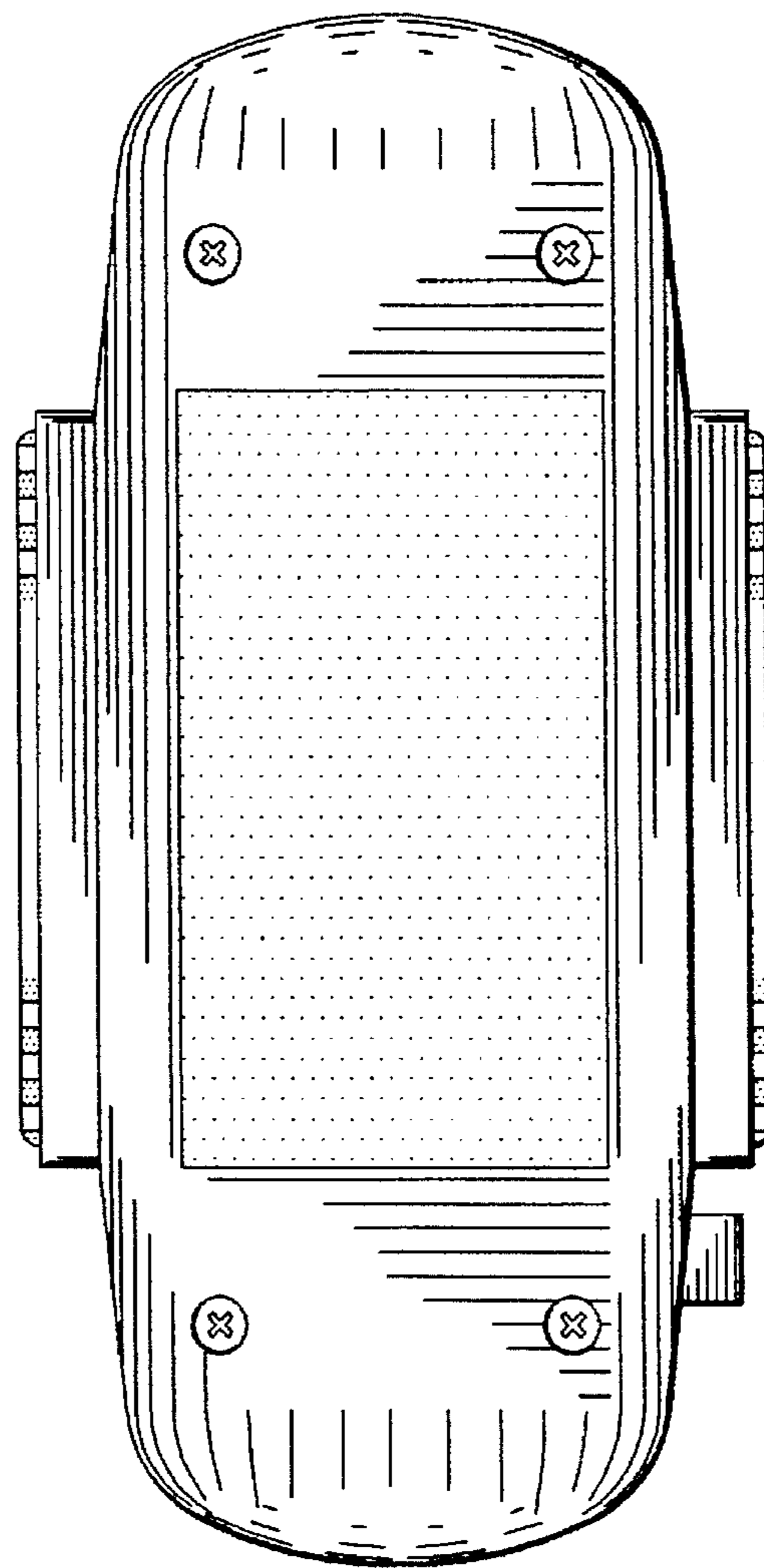


FIG. 14