



US00D379462S

United States Patent [19]

[11] Patent Number: **Des. 379,462**

Mak et al.

[45] Date of Patent: ****May 27, 1997**

[54] **DIAL BUTTON**

[75] Inventors: **Steve O. Mak**, Leonardo; **Bobbie J. Ridgely**, Atlantic Highlands; **Linda A. Roberts**, Sea Bright, all of N.J.; **John Stoddard**, Hackney; **Suzy Stone**, St Albans, both of England; **Leslie G. Tudor**, Glen Ridge, N.J.

[73] Assignee: **Lucent Technologies Inc.**, Murray Hill, N.J.

[**] Term: **14 Years**

[21] Appl. No.: **46,217**

[22] Filed: **Nov. 9, 1995**

[51] LOC (6) Cl. **14-03**

[52] U.S. Cl. **D14/247; D14/115**

[58] Field of Search D14/114, 115, D14/100, 240, 137, 138, 147, 148, 247, 244, 246, 140; 379/58-61, 433, 368, 434-436, 454, 455; 400/491.2, 490, 493, 494; D18/1, 12; 200/1 TK, 5 A, 1 A, 6 R; 235/145 A, 145 R

[56] **References Cited**

U.S. PATENT DOCUMENTS

D. 134,305 11/1942 Lentz D18/1

| | | | |
|------------|---------|--------------------------|-------------|
| D. 237,215 | 10/1975 | Bellini | D18/1 |
| D. 282,067 | 1/1986 | Inaba | D14/247 |
| D. 282,474 | 2/1986 | Sparks et al. | D18/12 |
| D. 336,087 | 6/1993 | Siddoway et al. | D14/138 |
| D. 353,820 | 12/1994 | Siddoway | D14/247 |
| D. 358,385 | 5/1995 | Franz | D14/115 |
| D. 359,959 | 7/1995 | Scianna, Sr. et al. | D14/247 |
| 4,734,679 | 3/1988 | Haskins | 379/368 X |
| 5,220,318 | 6/1993 | Staley | 400/491.2 X |
| 5,516,996 | 5/1996 | Shin | 400/490 X |

Primary Examiner—Jeffrey Asch
Attorney, Agent, or Firm—Thomas Stafford

[57] **CLAIM**

The ornamental design of a dial button, as shown and described.

DESCRIPTION

FIG. 1 is a front, top and right perspective view of a dial button showing our new design; FIG. 2 is a top plan view thereof; FIG. 3 is a rear elevation view thereof; FIG. 4 is a left side elevation view thereof; FIG. 5 is a front elevation view thereof; and, FIG. 6 is a bottom plan view thereof. Note that the right side elevation view is the mirror image of FIG. 4.

1 Claim, 1 Drawing Sheet

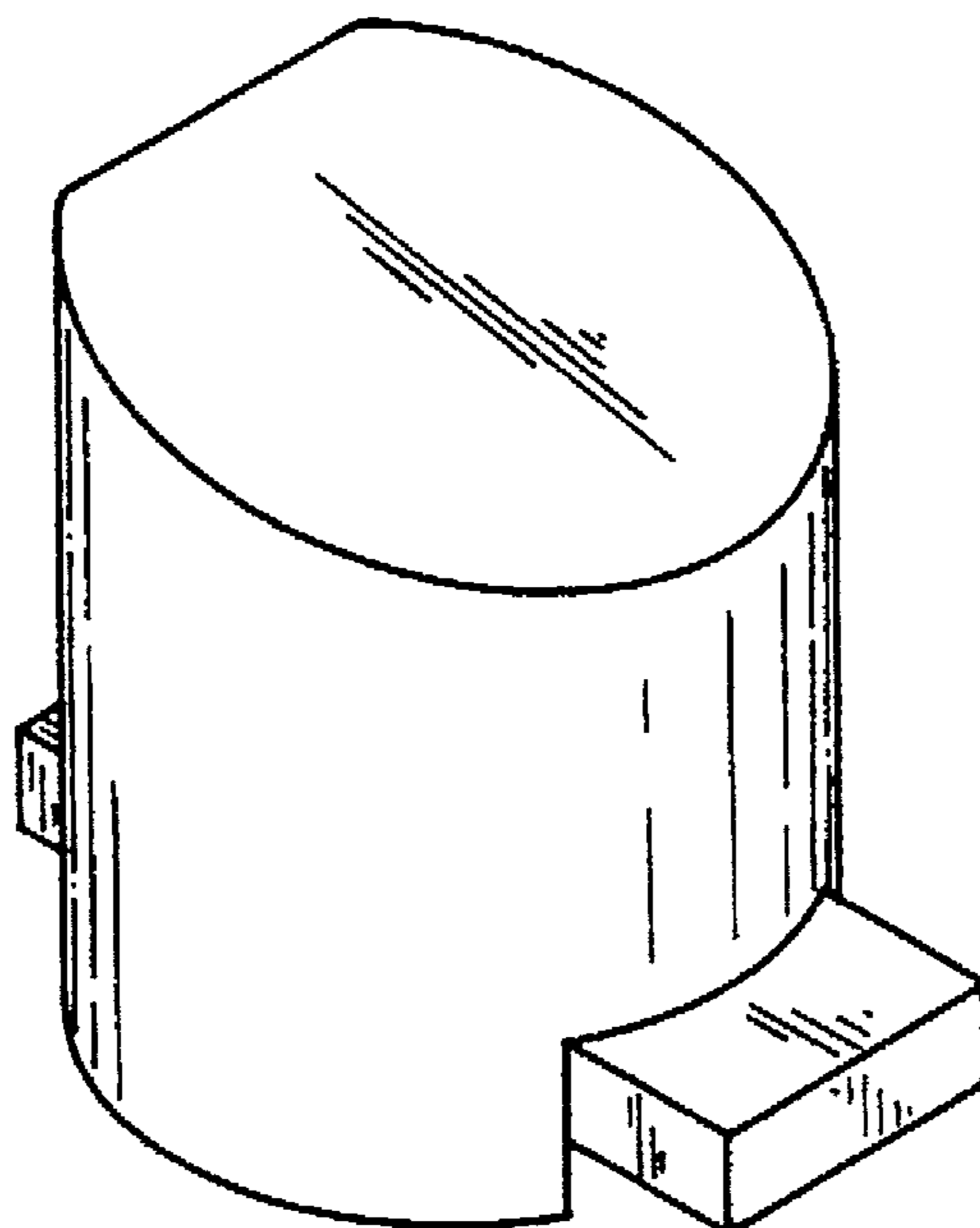


FIG. 1

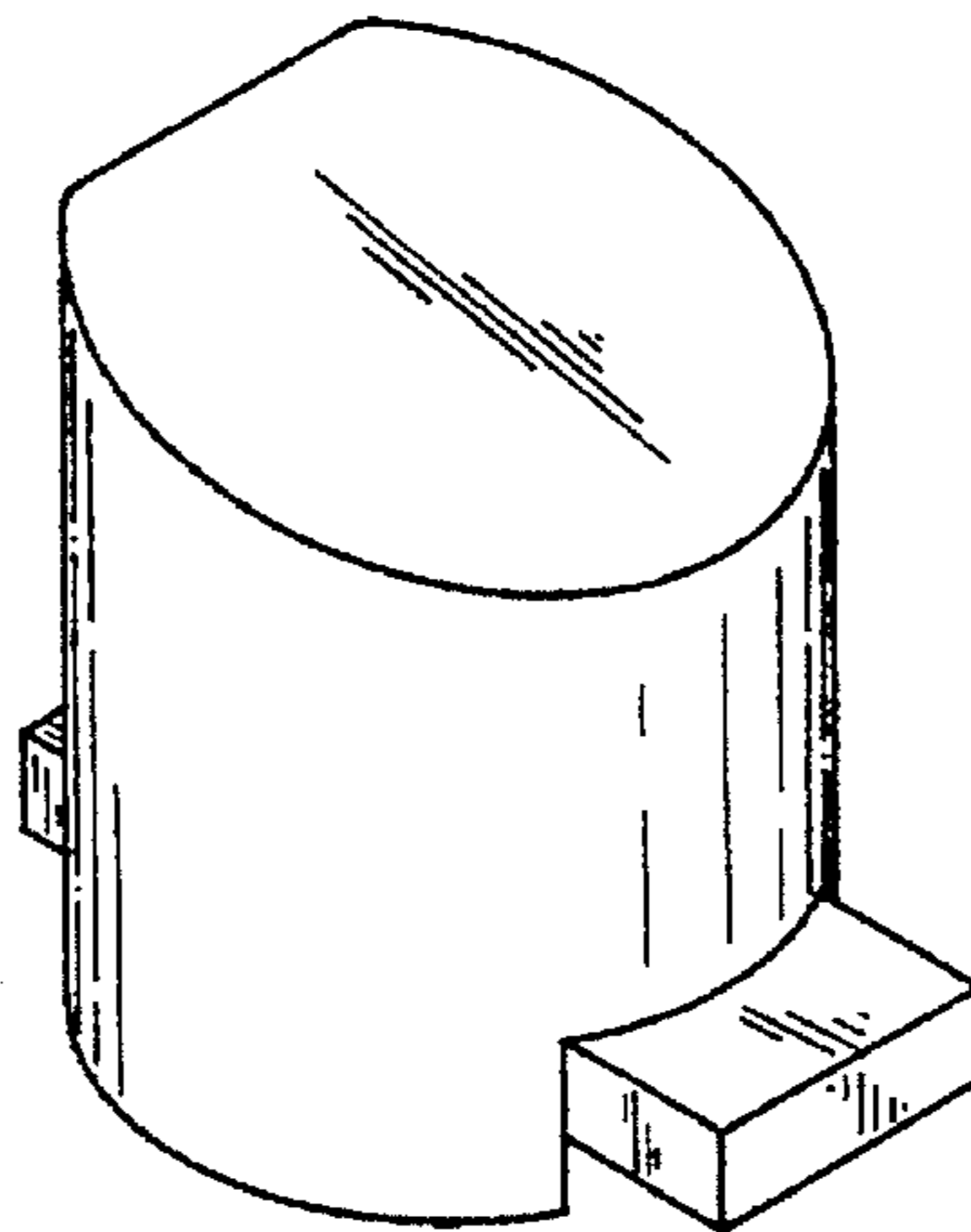


FIG. 2

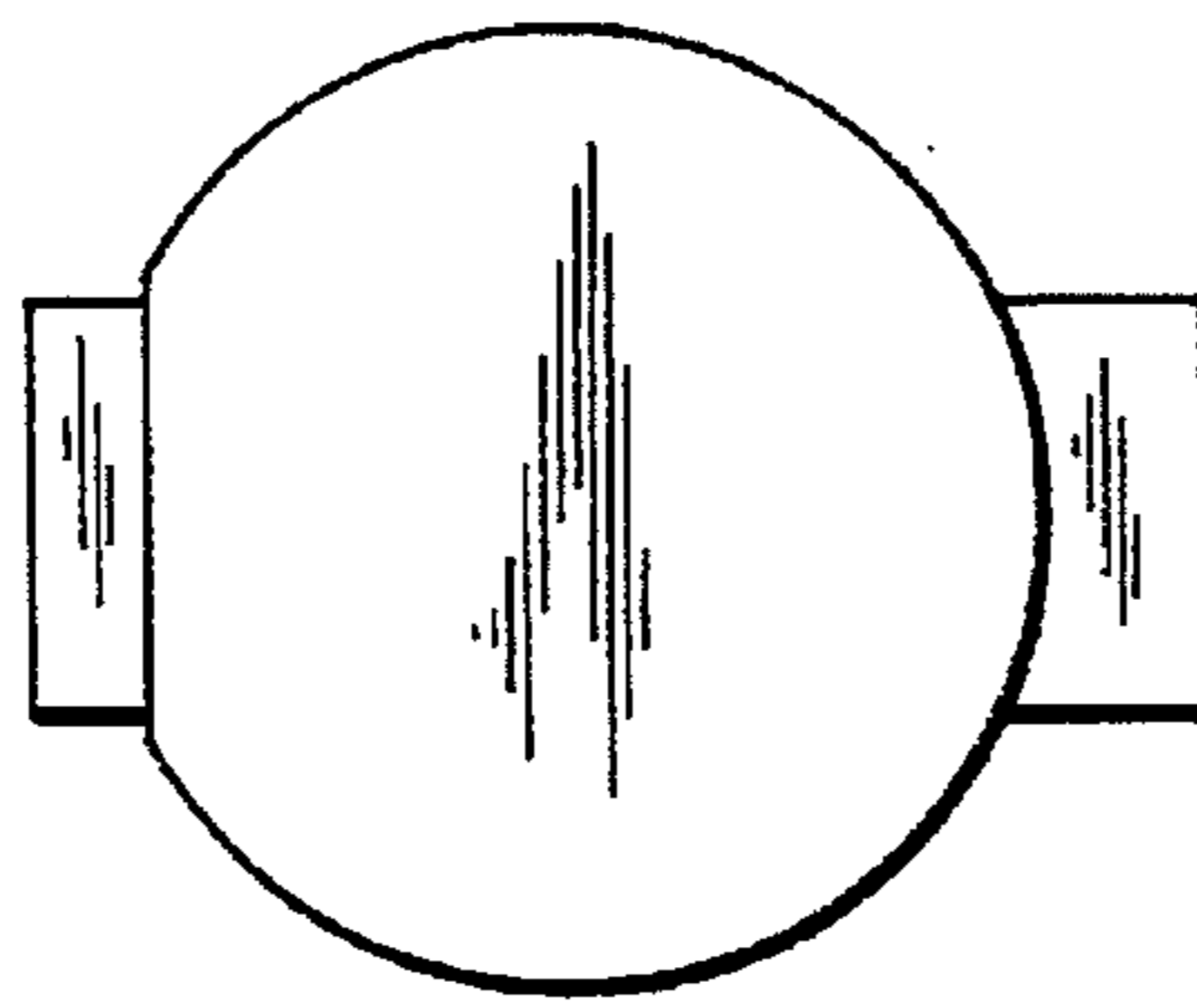


FIG. 3

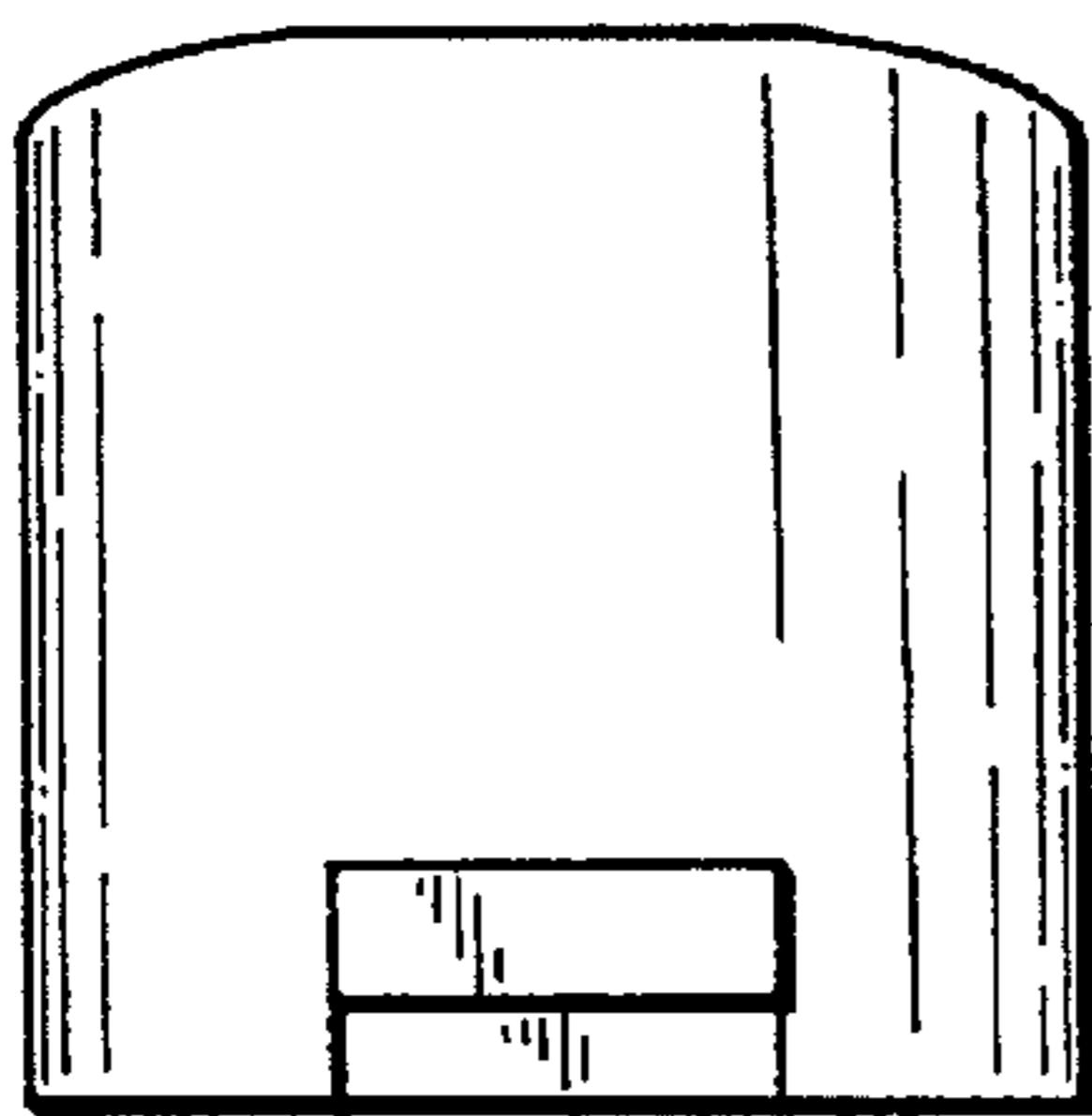


FIG. 4

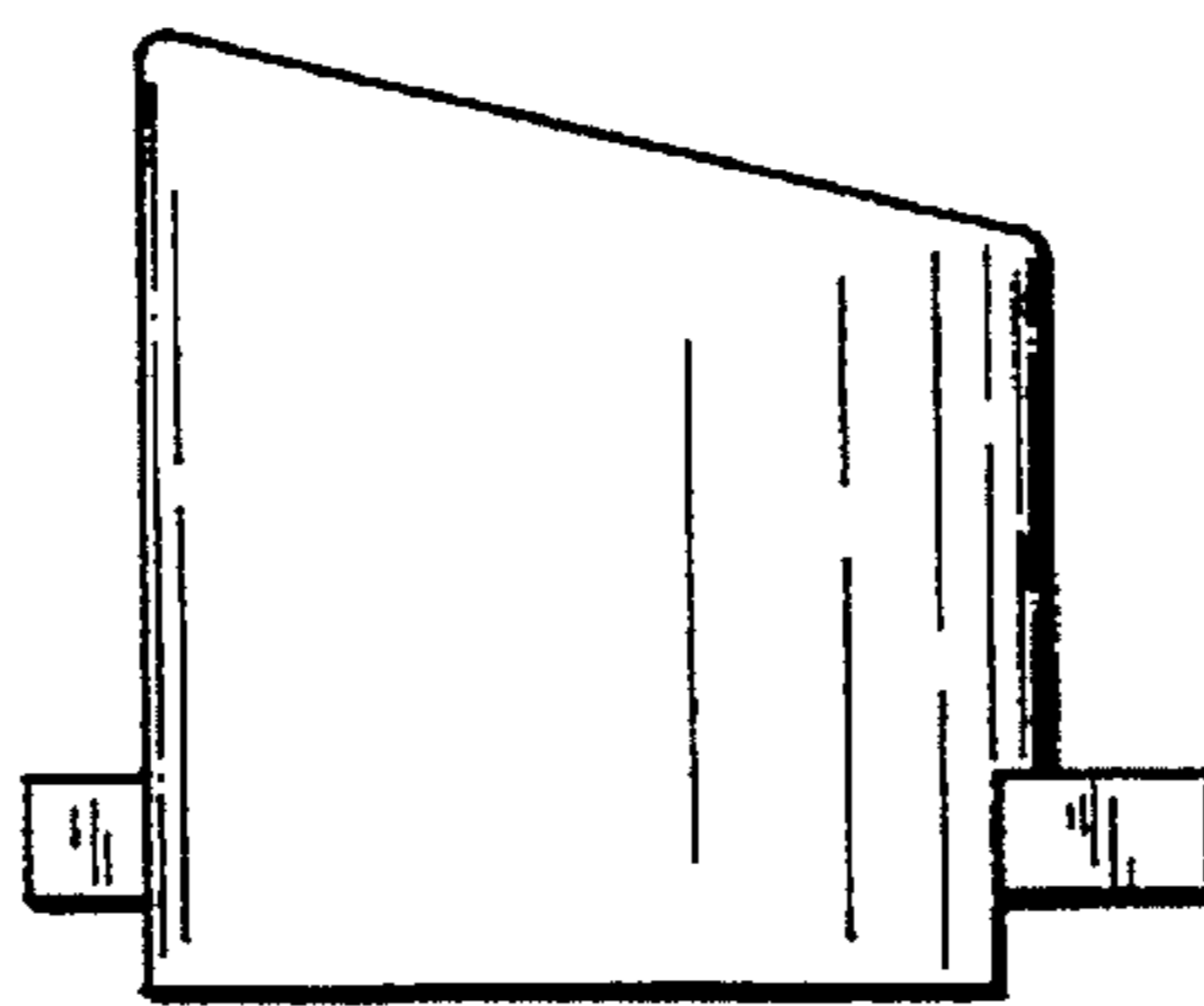


FIG. 5

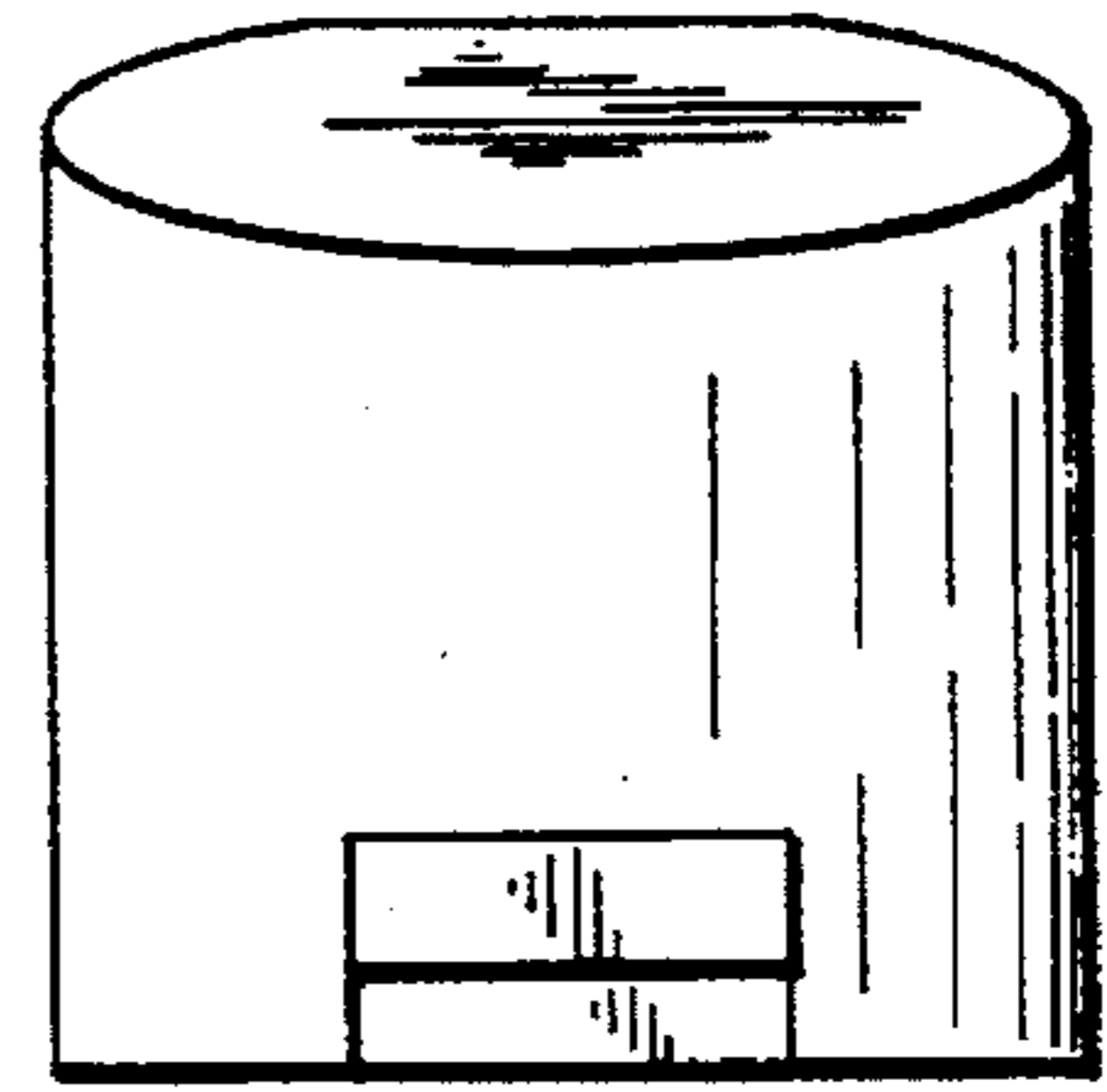


FIG. 6

