



US00D379461S

United States Patent [19] Hartman

[11] Patent Number: **Des. 379,461**

[45] Date of Patent: ****May 27, 1997**

[54] COMBINED MICROPHONES AND STAND

DESCRIPTION

[76] Inventor: **William M. Hartman**, 76 Longwood Rd., Quincy, Mass. 02169

[**] Term: **14 Years**

[21] Appl. No.: **45,951**

[22] Filed: **Nov. 3, 1995**

[51] LOC (6) Cl. **14-01**

[52] U.S. Cl. **D14/227**

[58] Field of Search D14/205-206,
D14/223-229, 299; 181/158, 242; 379/368,
430-431; 381/91, 122, 153, 168, 169, 183

[56] References Cited

U.S. PATENT DOCUMENTS

D. 150,457	8/1948	Pike	D14/227
D. 198,850	8/1964	Kategianis et al.	D14/227
D. 337,590	7/1993	Satoh	D14/226
D. 357,016	4/1995	Li et al.	D14/227 X

OTHER PUBLICATIONS

"Design Now —Industry or Art?", Exhibition document, 1989.

Primary Examiner—Sandra L. Morris

Assistant Examiner—Nanda Bondade

Attorney, Agent, or Firm—Brinks Hofer Gilson & Lione

[57] CLAIM

The ornamental design for a combined microphones and stand, as shown and described.

Be it known that I, William M. Hartman, have invented a new, original and ornamental design for combined microphones and stand.

FIG. 1 is a perspective view of a combined microphone and stand showing my new design;

FIG. 2 is a front elevational view thereof, the rear view begin identical;

FIG. 3 is a right side elevational view thereof, the left side view begin identical;

FIG. 4 is a top plan view thereof;

FIG. 5 is a bottom plan view thereof;

FIG. 6 is a perspective view of FIG. 1, with one microphone removed;

FIG. 7 is a front elevational view FIG. 6, the rear view being a mirror image;

FIG. 8 is a right side elevational view of FIG. 6, the left side view being identical;

FIG. 9 is a top plan view of FIG. 6;

FIG. 10 is a bottom plan view of FIG. 6;

FIG. 11 is a perspective view of FIG. 1, with two microphones removed;

FIG. 12 is a front elevational view of FIG. 11 the rear view being a mirror image;

FIG. 13 is a right side elevational view of FIG. 11, the left side view being identical;

FIG. 14 is a top plan view of FIG. 11; and,

FIG. 15 is a bottom plan view of FIG. 11.

1 Claim, 3 Drawing Sheets

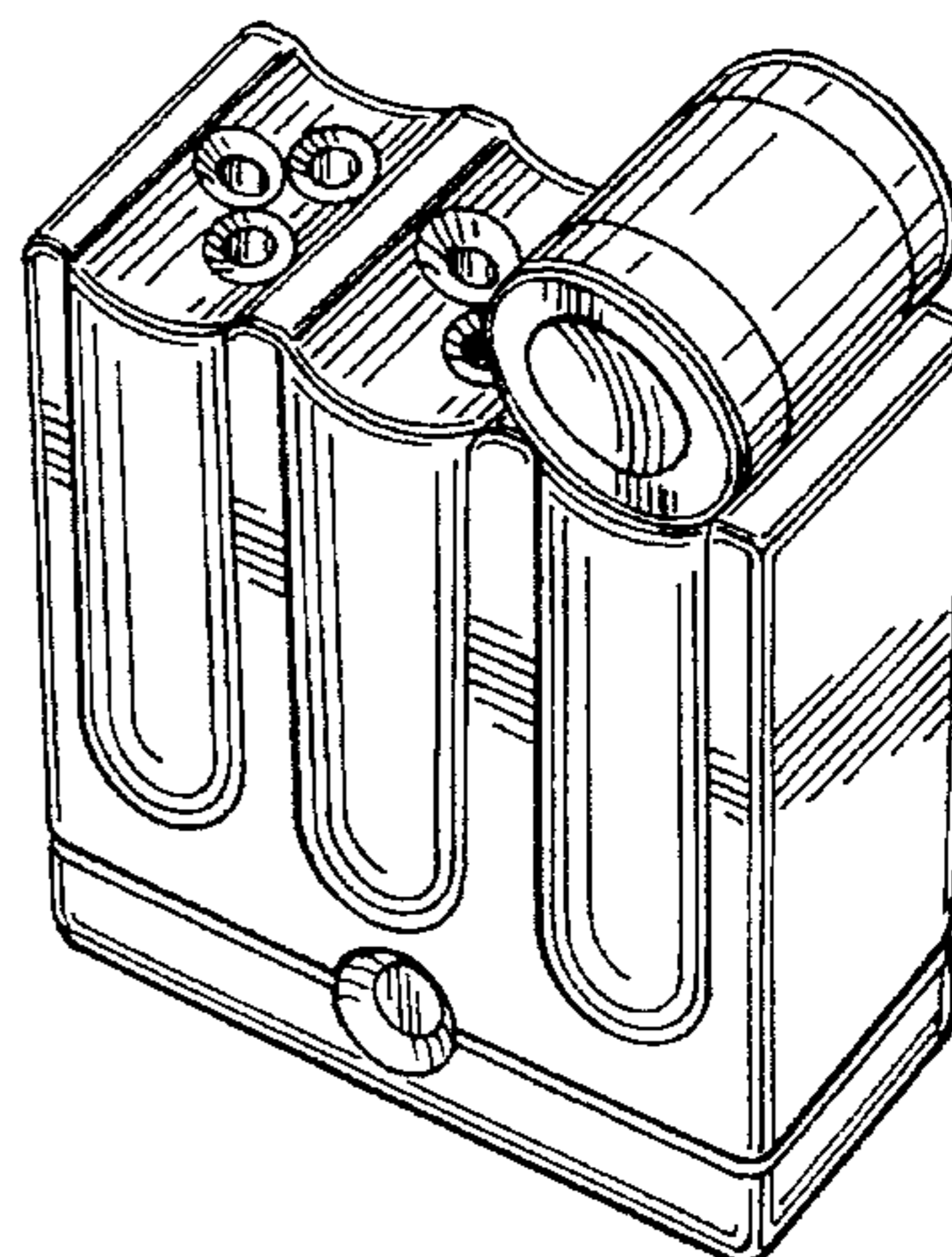
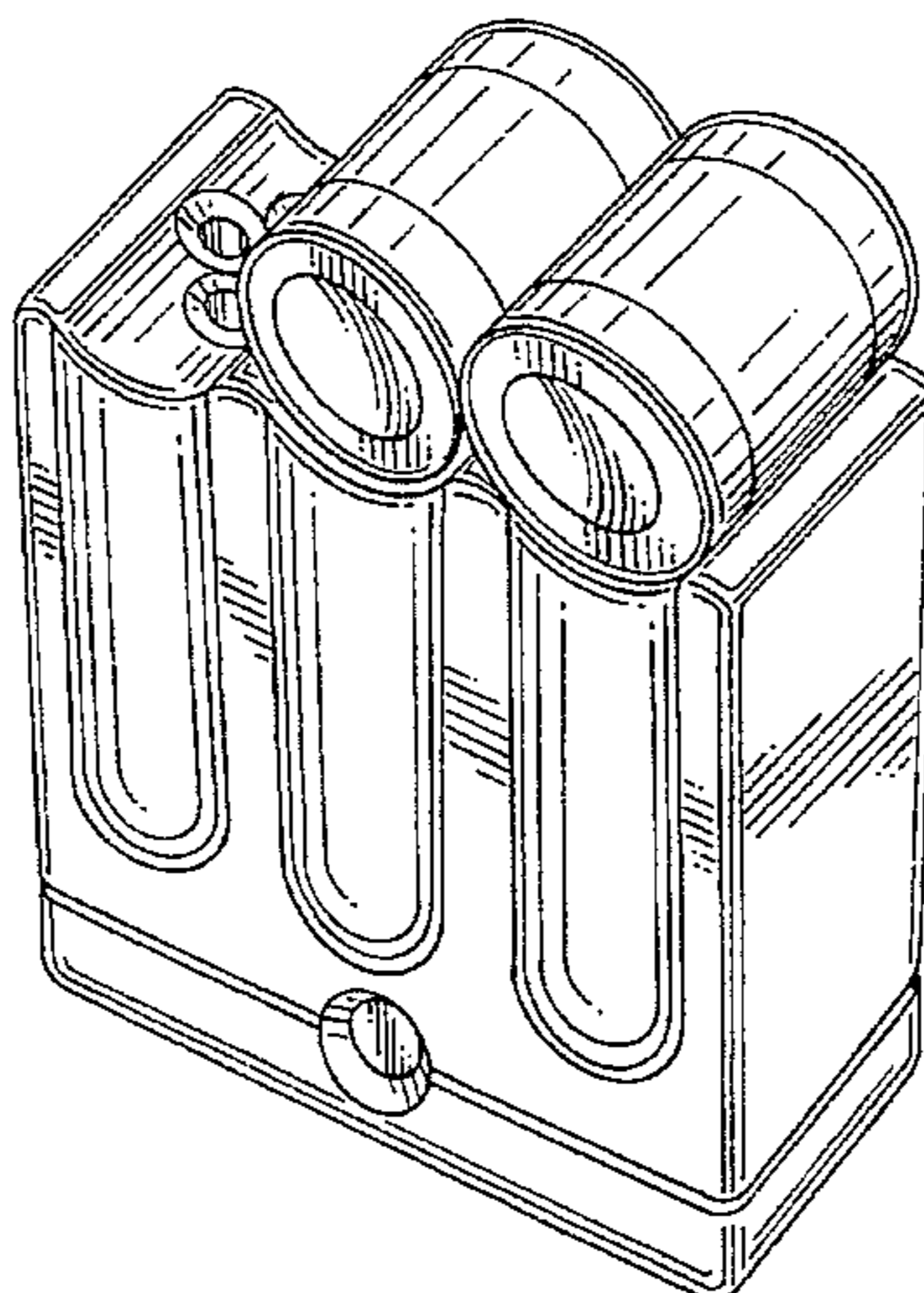
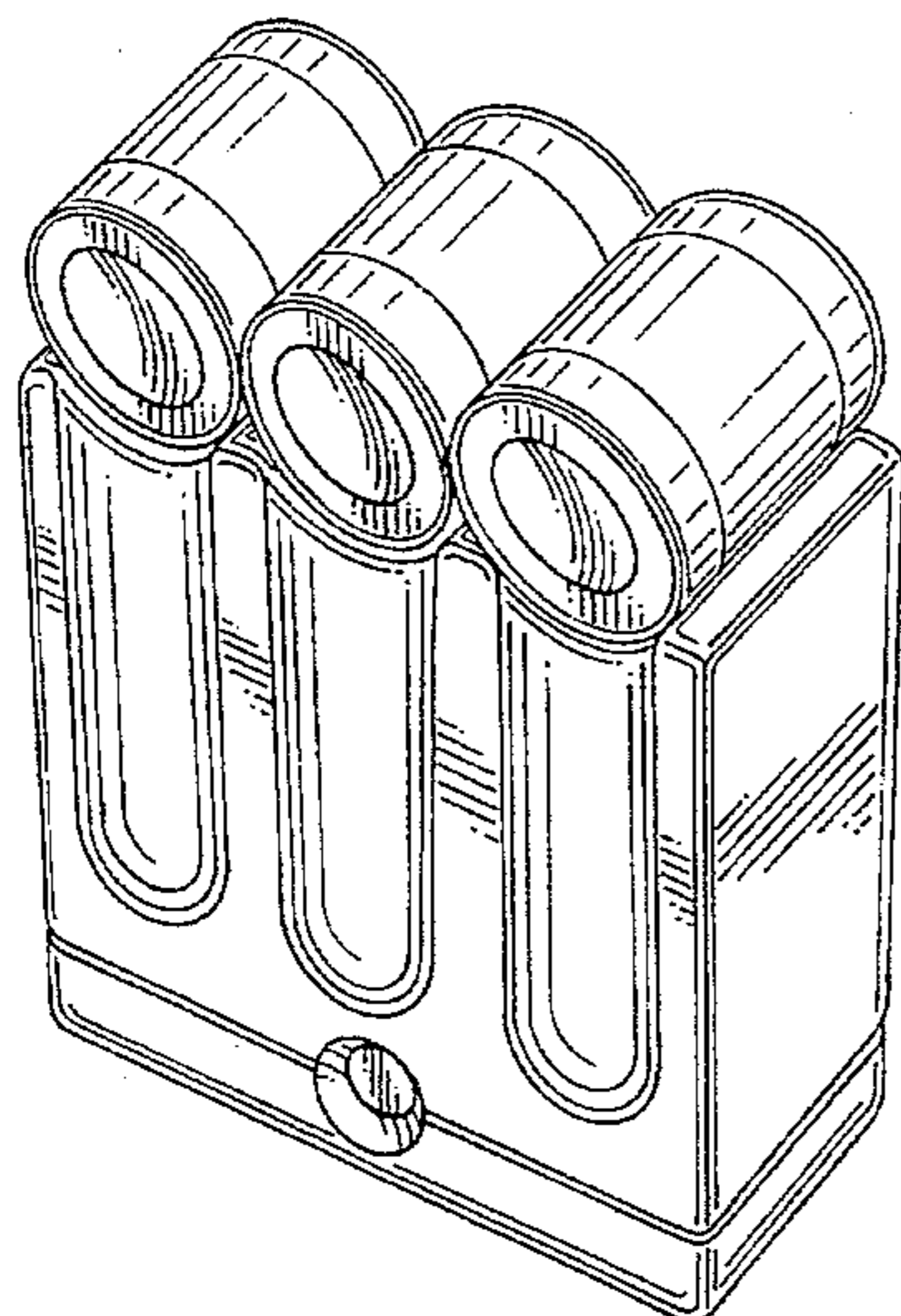


FIG. 1

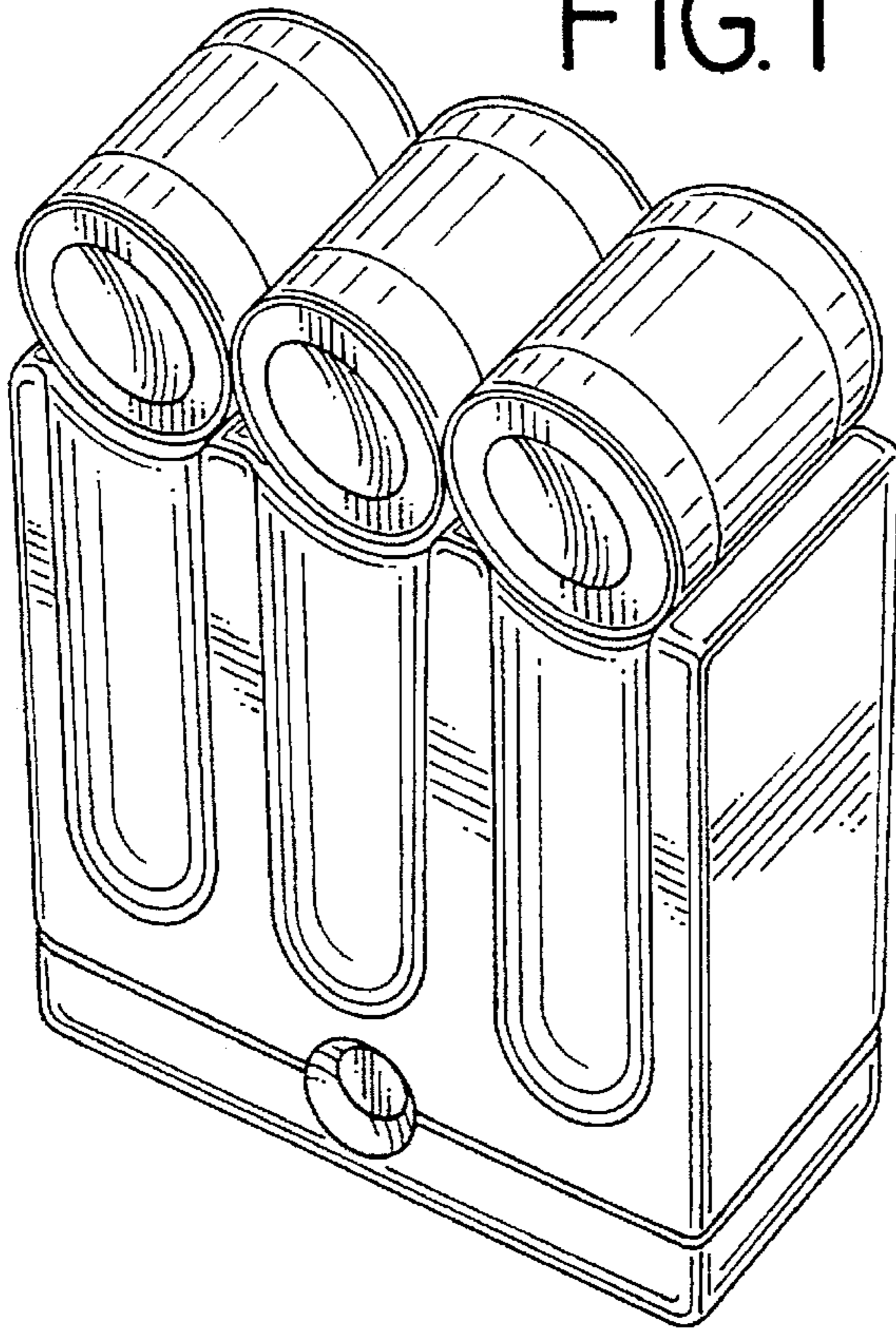


FIG. 2

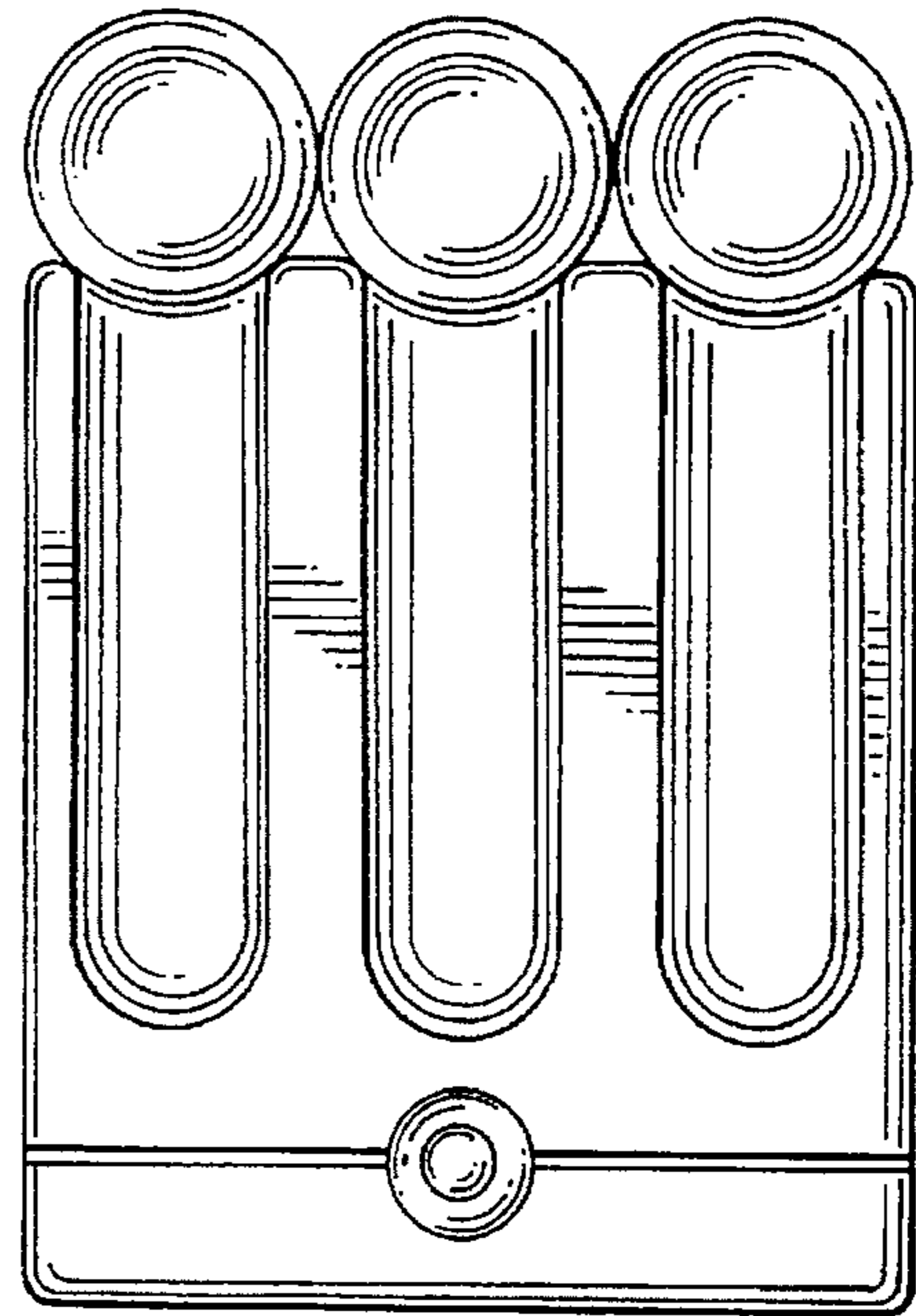


FIG. 3

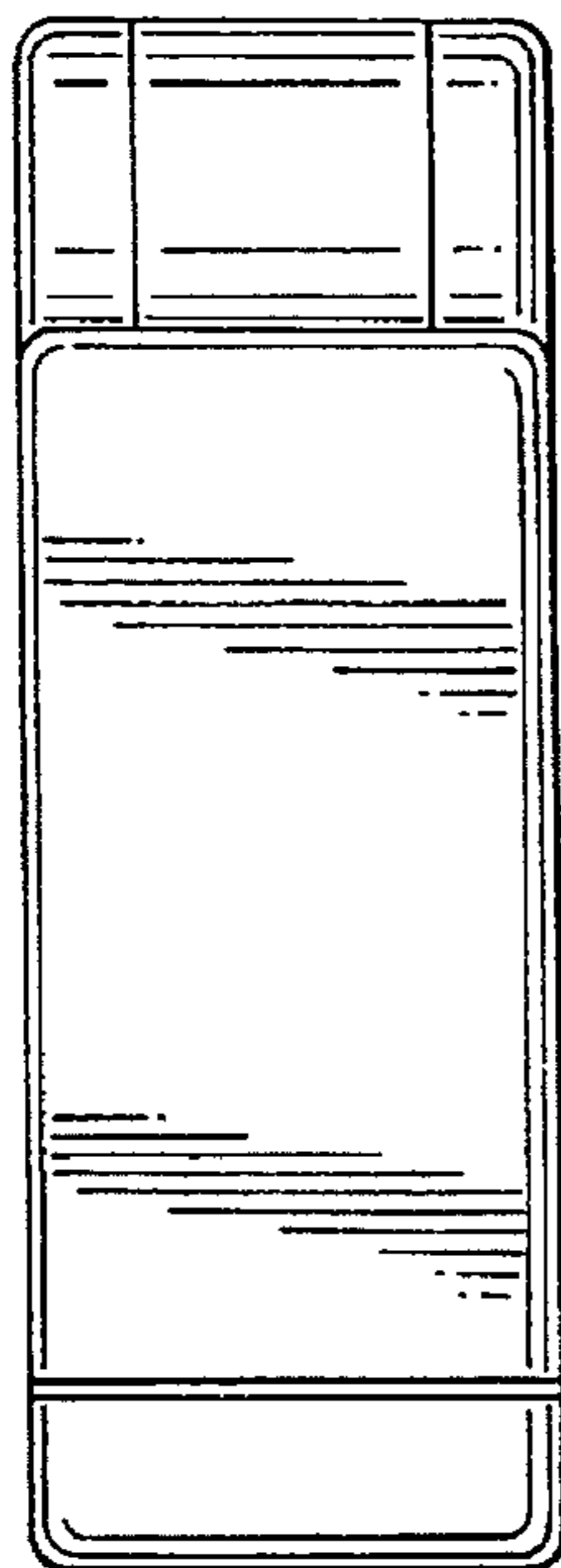


FIG. 4

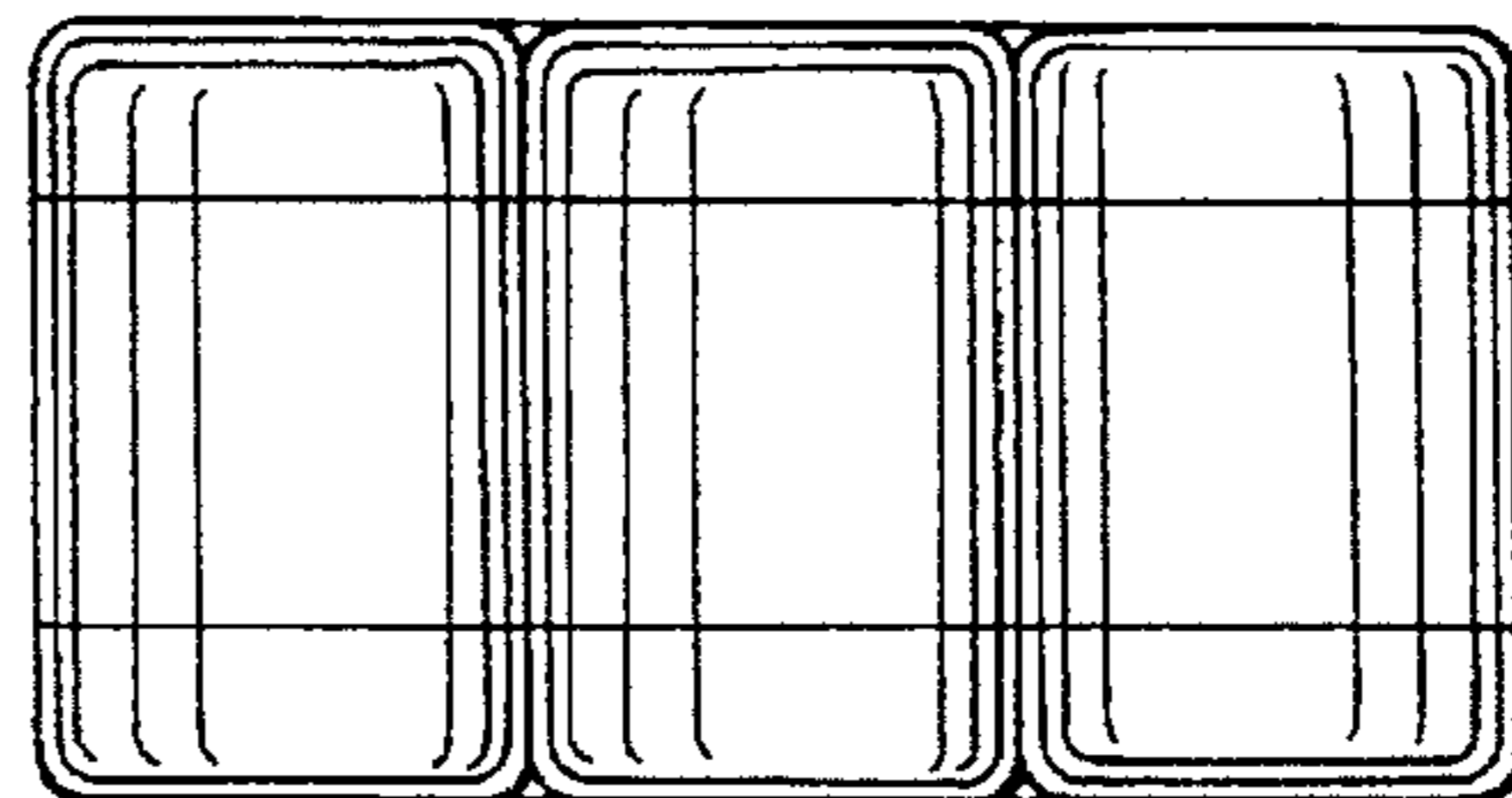


FIG. 5

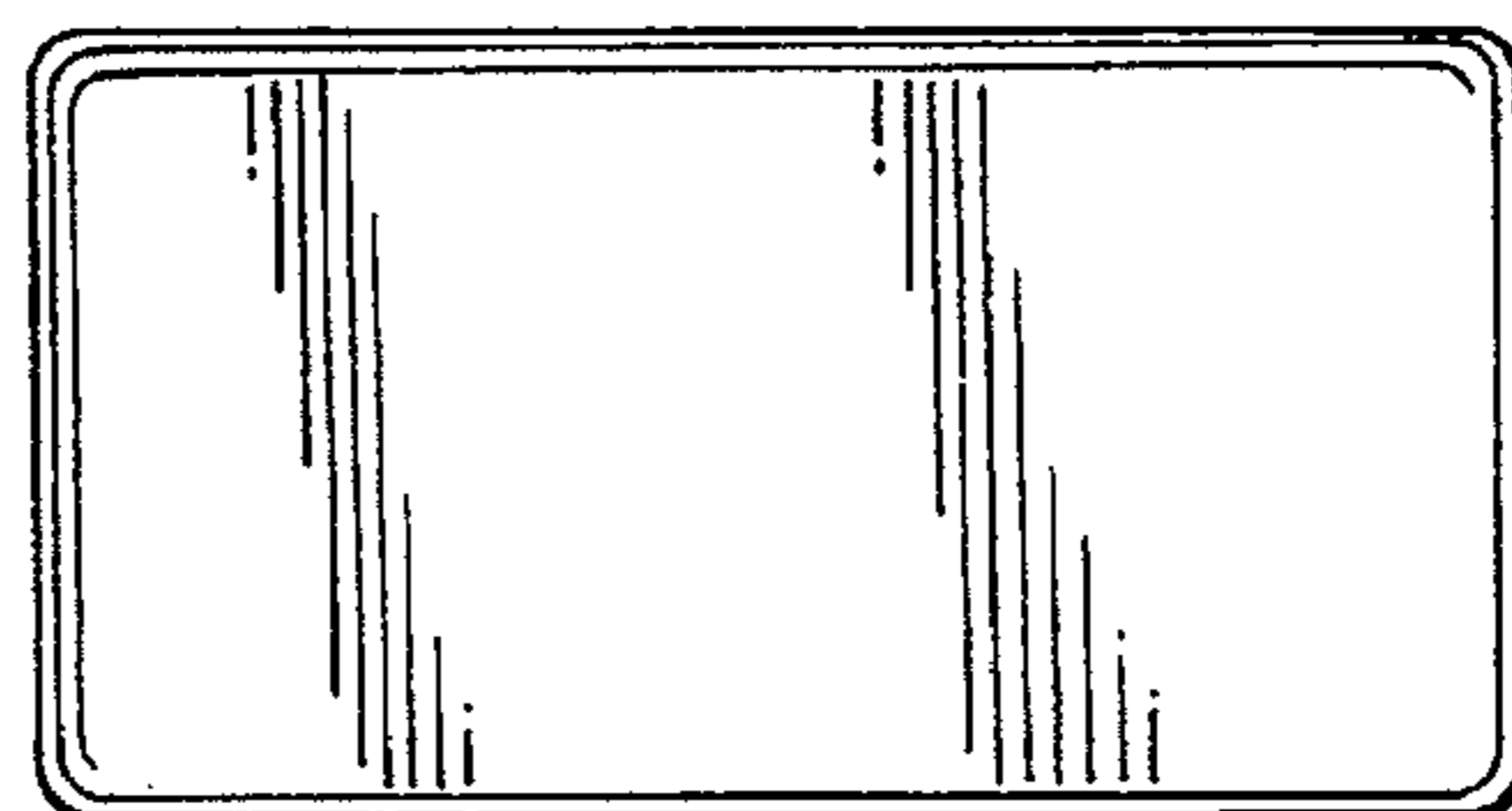


FIG. 6

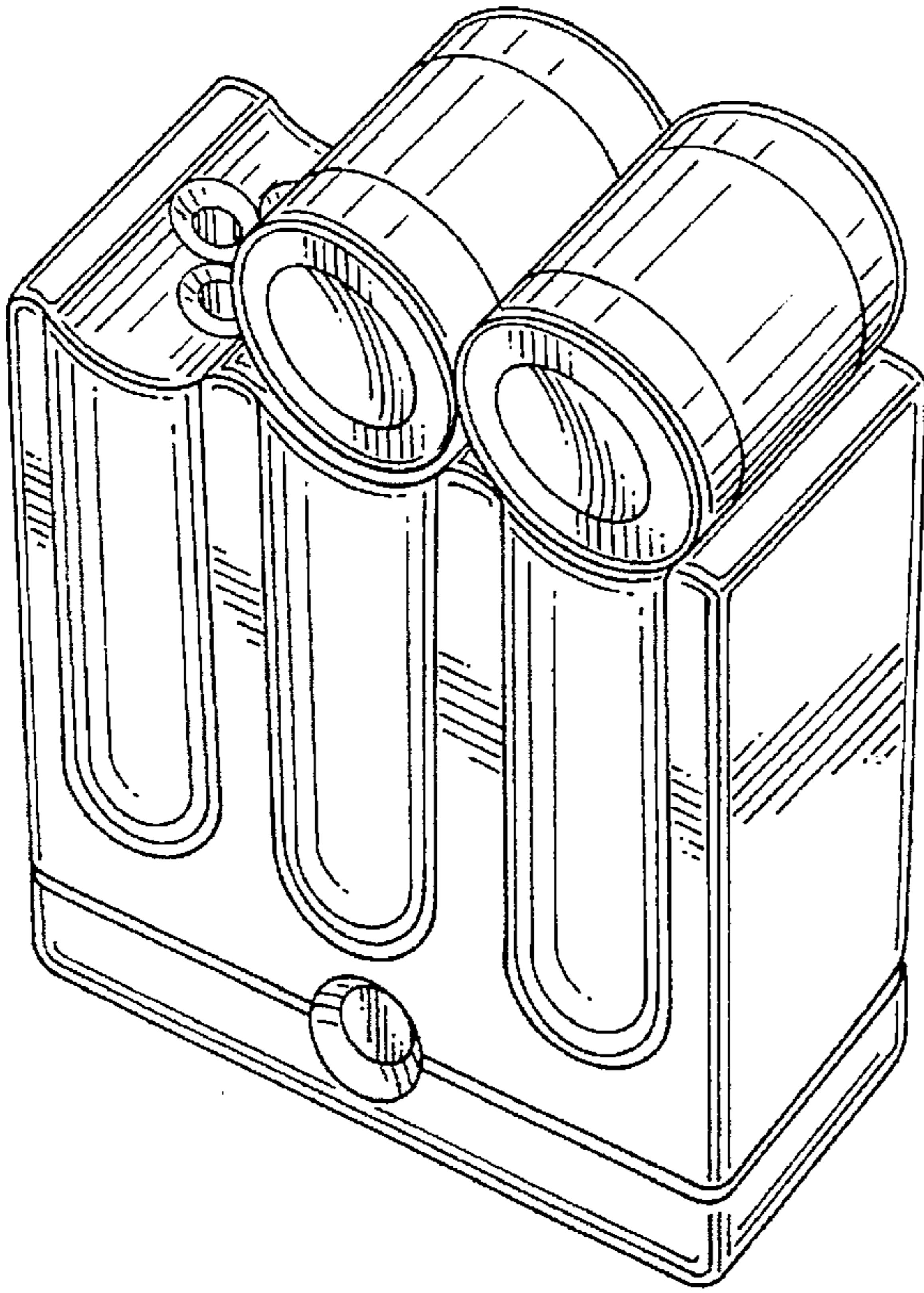


FIG. 7

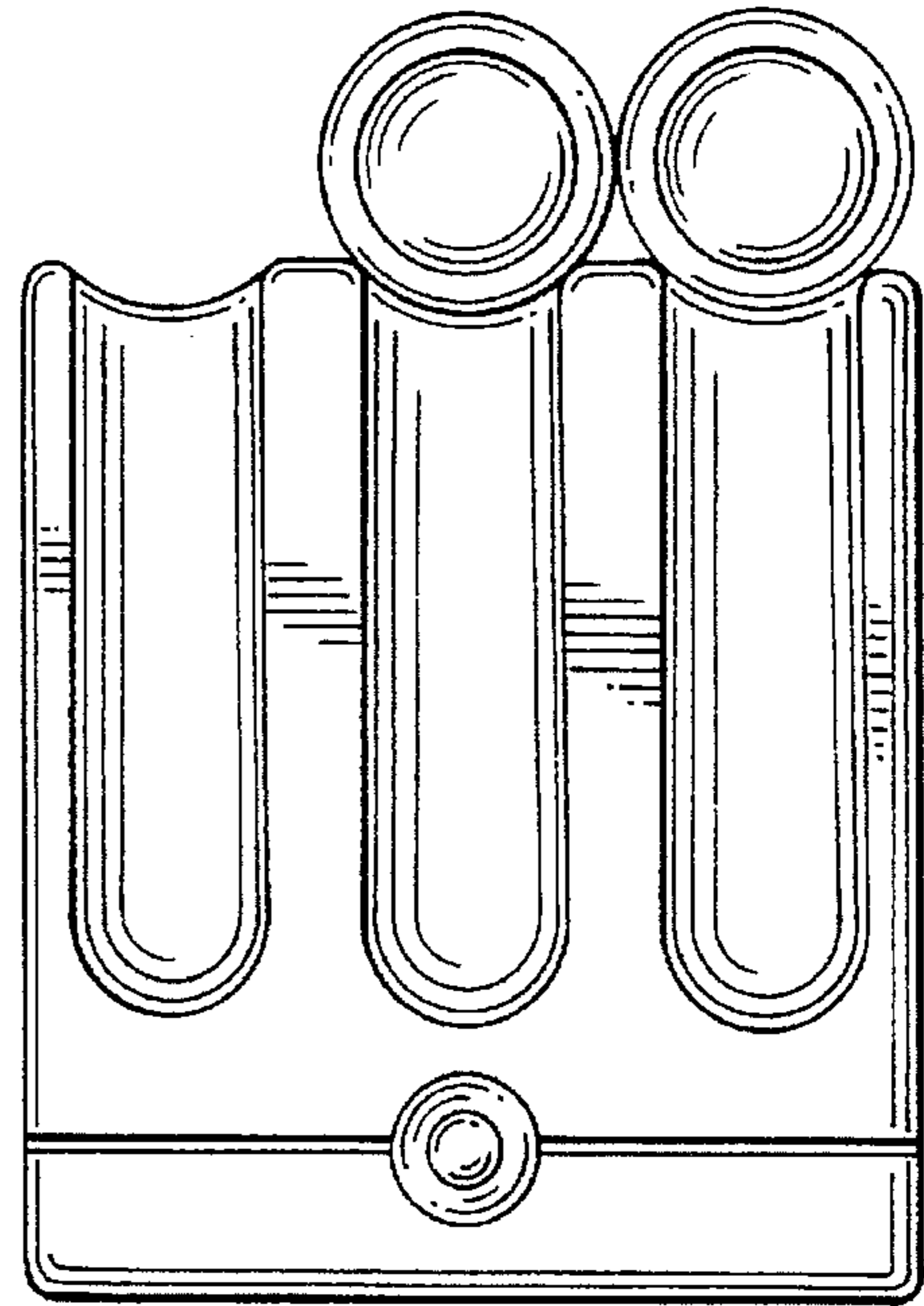


FIG. 8

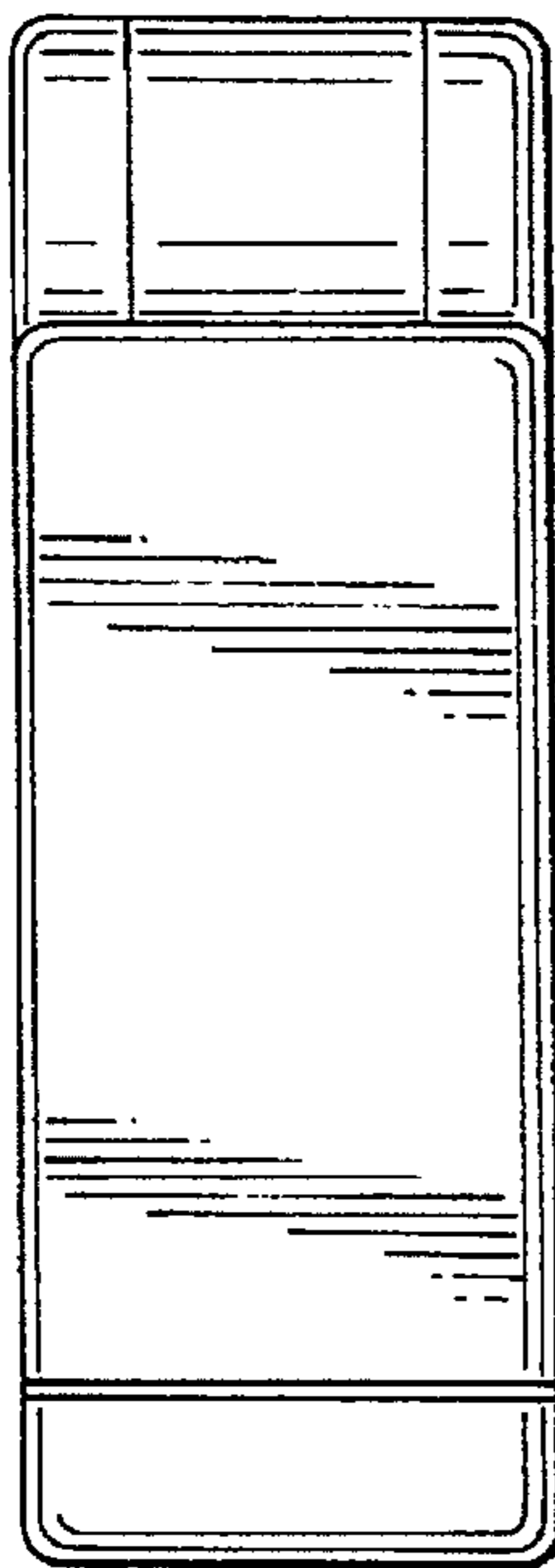


FIG. 9

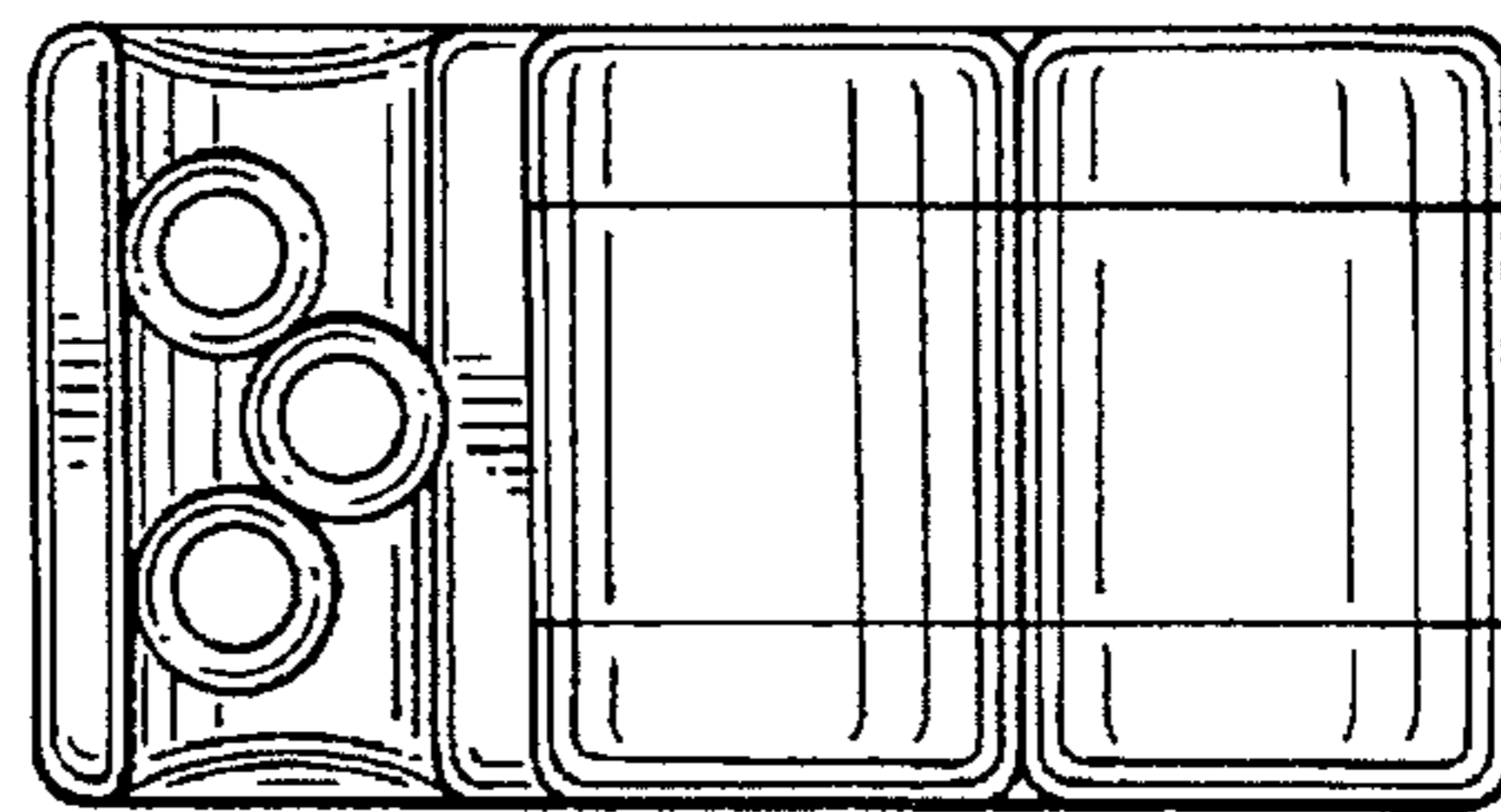


FIG. 10

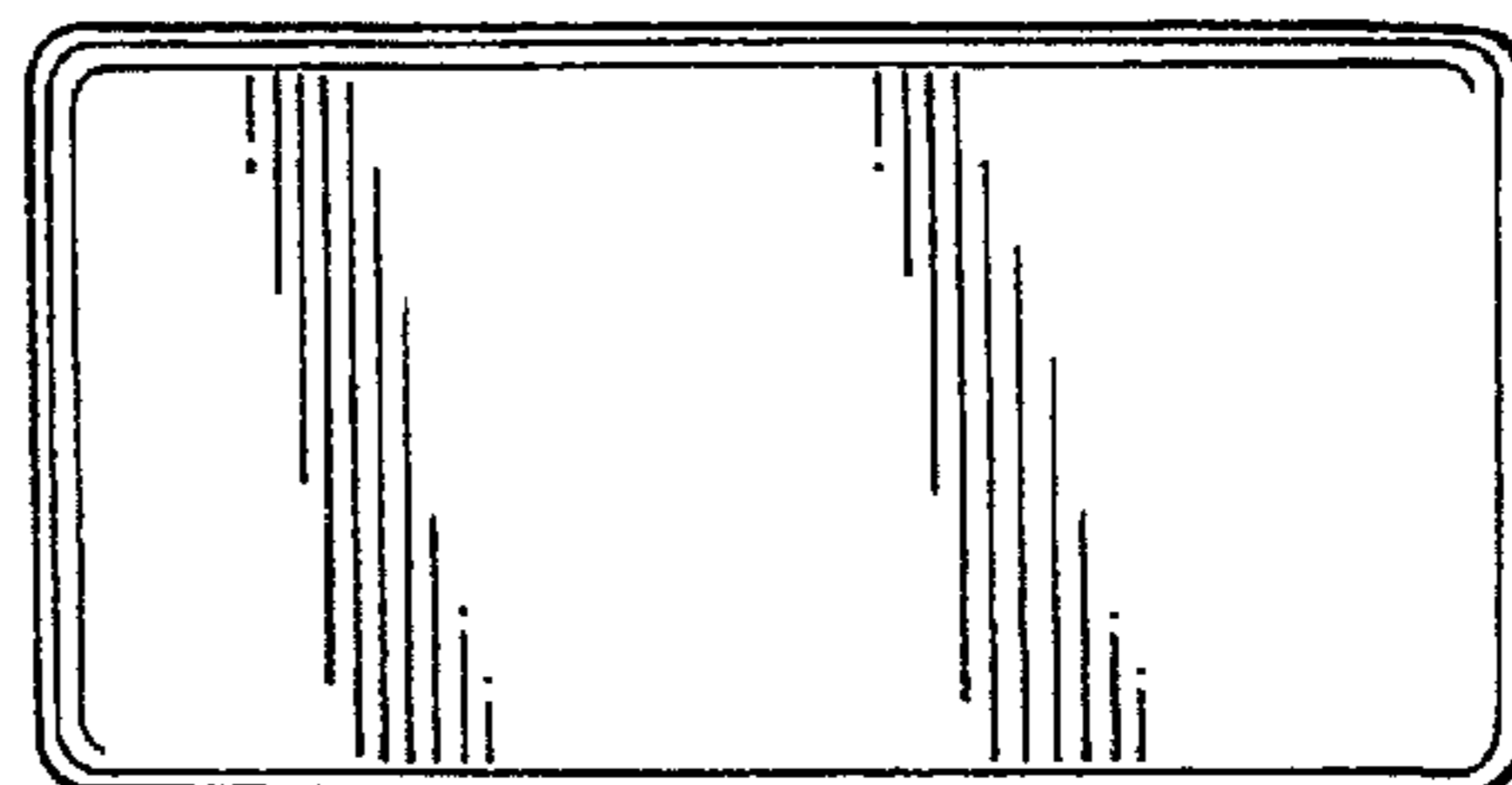


FIG. 11

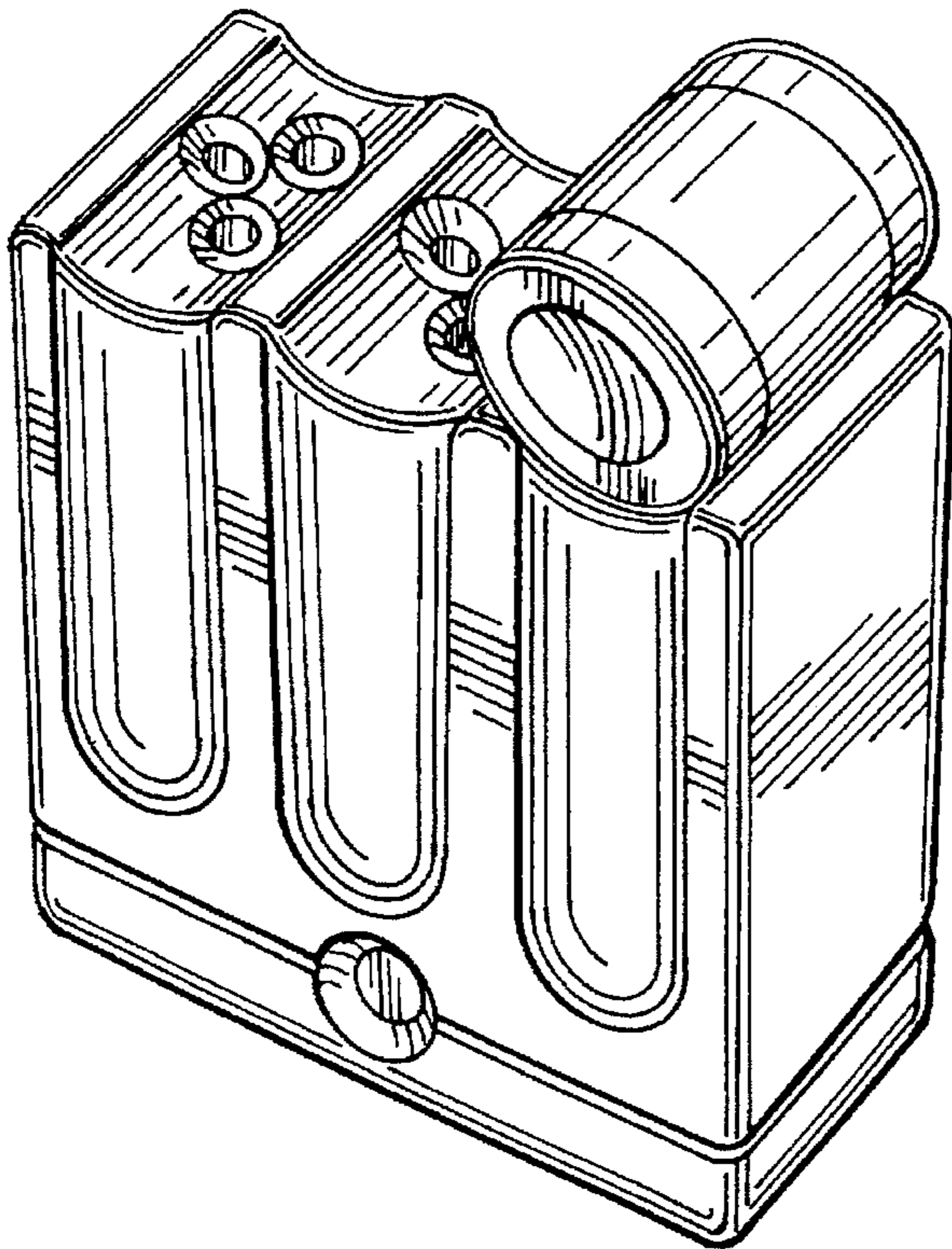


FIG. 12

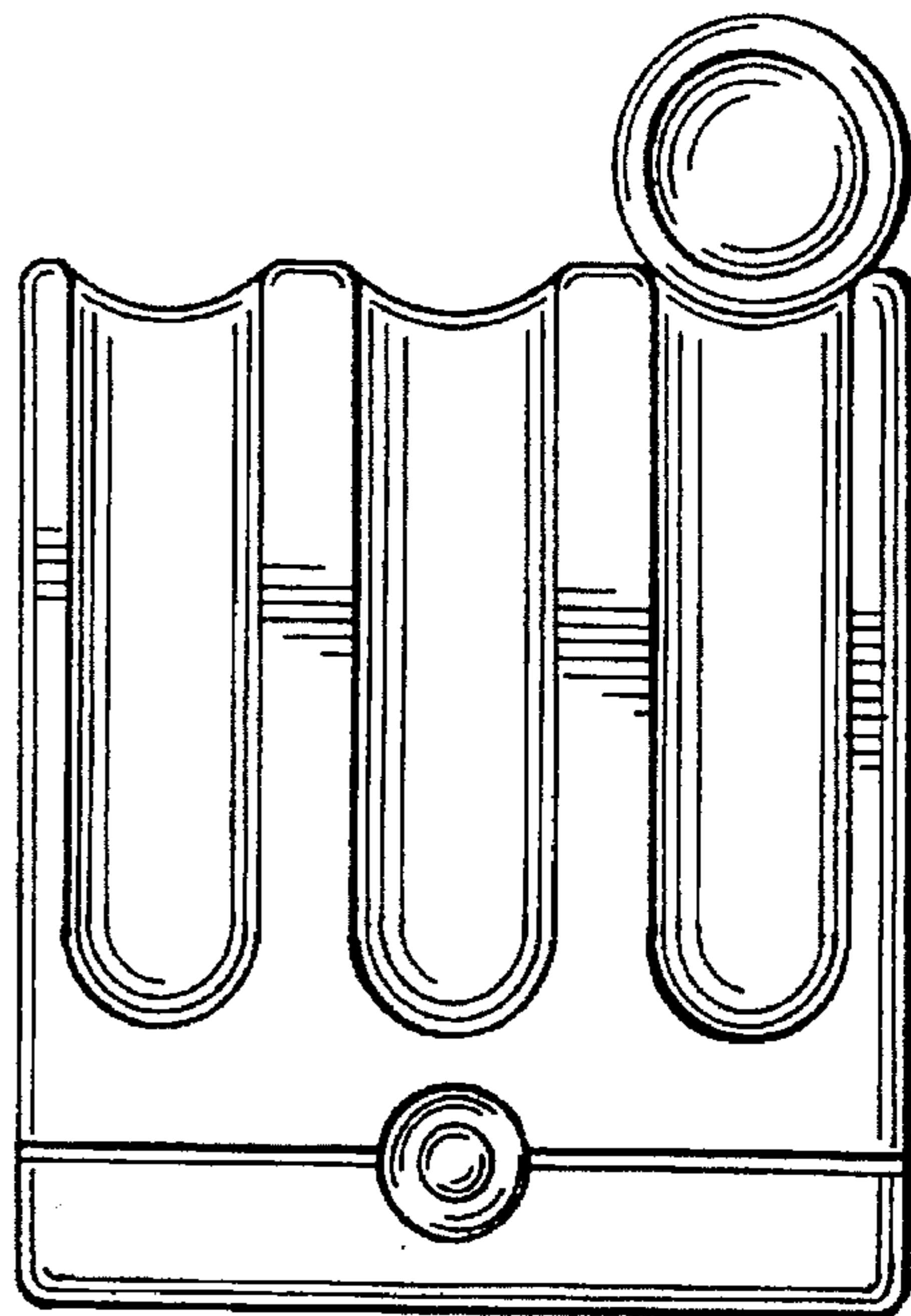


FIG. 13

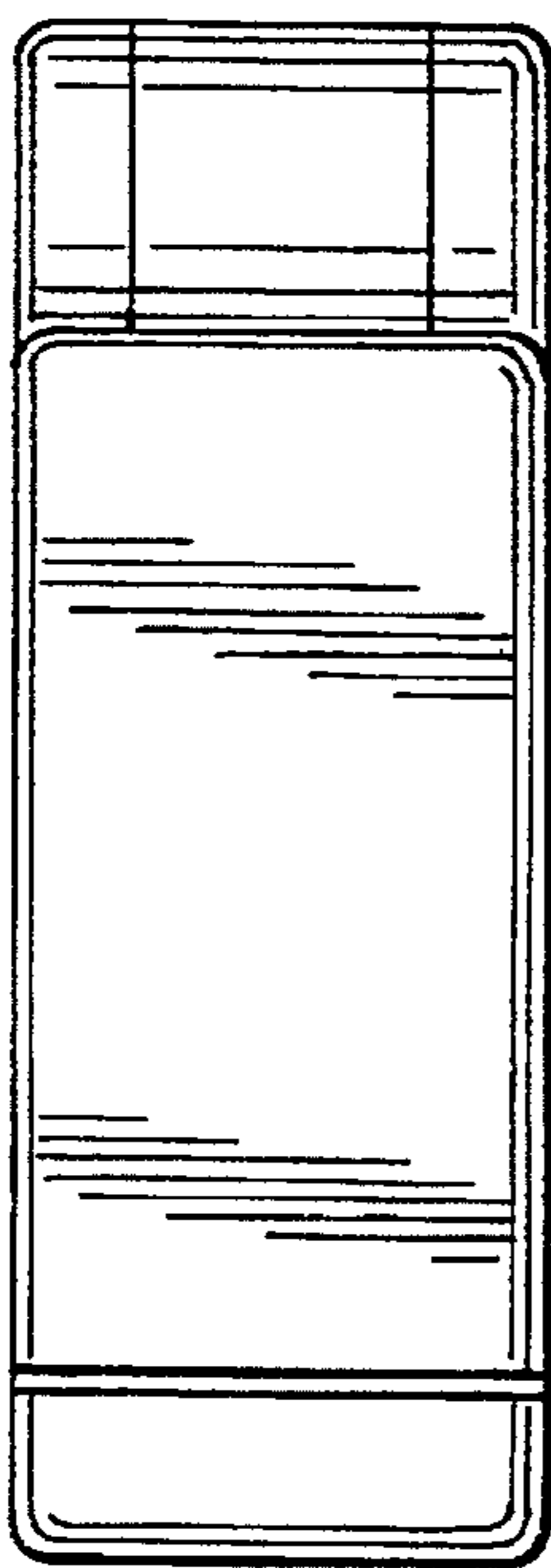


FIG. 14

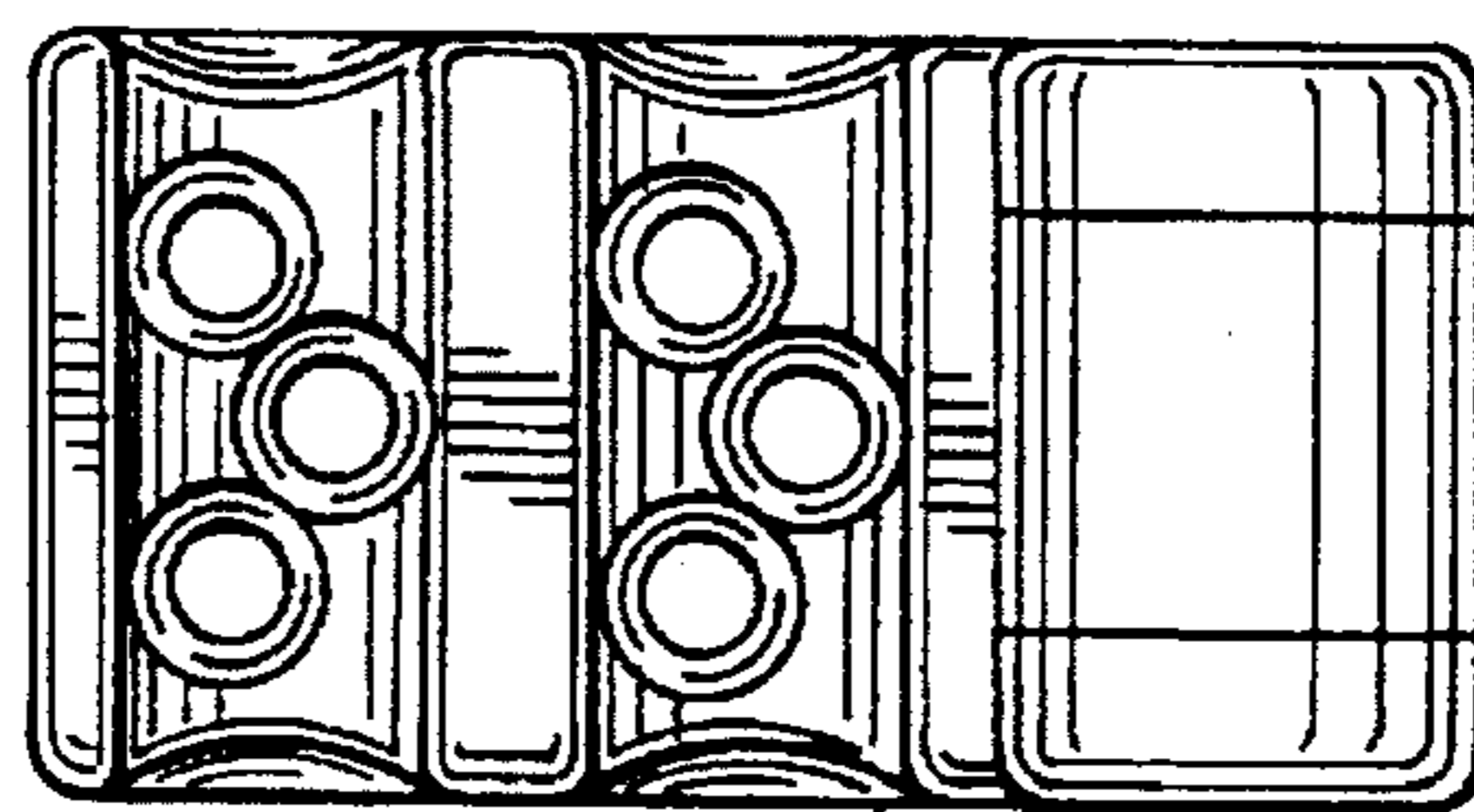


FIG. 15

