



US00D379459S

# United States Patent [19]

[11] Patent Number: **Des. 379,459**

**Biasotti et al.**

[45] Date of Patent: **\*\*May 27, 1997**

[54] **PAGER**

D. 311,188 10/1990 Oyamada et al. .... D14/191  
 D. 326,094 5/1992 Muraki et al. .... D14/191  
 D. 352,504 11/1994 Scheid et al. .... D14/191

[75] Inventors: **Mark Biasotti**, San Jose; **Charles R. Lewis, Jr.**, Palo Alto; **Michael J. Nuttall**, Portola Valley, all of Calif.; **John H. Schaffeld**, New Vernon; **Jose A. Sosa**, Hackettstown, both of N.J.

*Primary Examiner*—Sandra L. Morris  
*Assistant Examiner*—Nanda Bondade  
*Attorney, Agent, or Firm*—Samuel R. Williamson

[73] Assignee: **Lucent Technologies Inc.**, Murray Hill, N.J.

[57] **CLAIM**

The ornamental design for a pager, as shown and described.

[\*\*] Term: **14 Years**

**DESCRIPTION**

[21] Appl. No.: **33,020**

FIG. 1 is a top, front and right side perspective view of a pager showing our new design;

[22] Filed: **Jan. 4, 1995**

FIG. 2 is a front elevation thereof;

[51] **LOC (6) Cl.** ..... **14-01**

FIG. 3 is a rear elevation thereof;

[52] **U.S. Cl.** ..... **D14/191**

FIG. 4 is a left side elevation thereof;

[58] **Field of Search** ..... D14/124, 188,  
D14/191, 192; 340/311.1; 455/38.1-38.4,  
90, 92, 100, 128, 344

FIG. 5 is a right side elevation thereof;

FIG. 6 is a top plan view thereof; and,

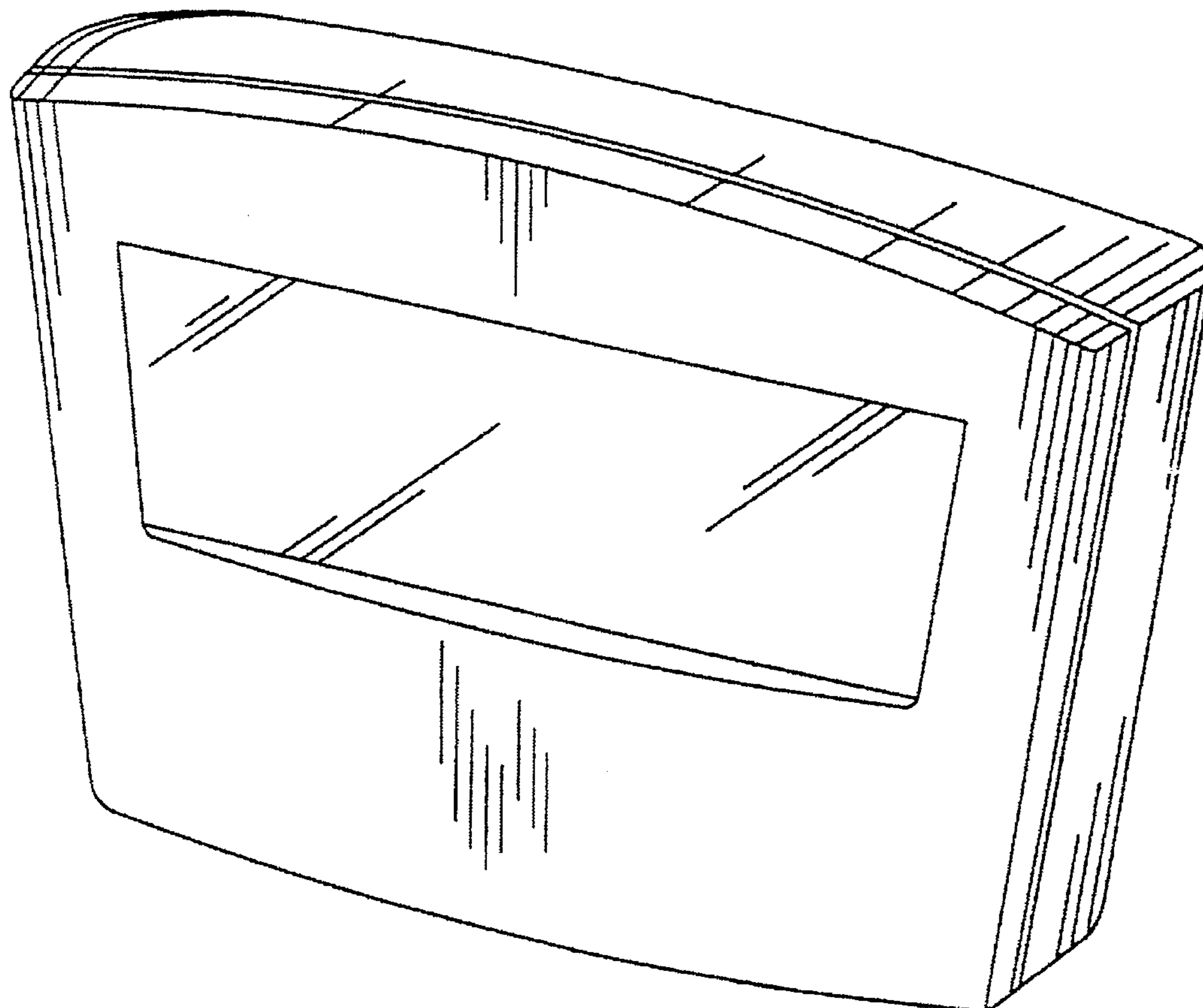
FIG. 7 is a bottom plan view thereof.

[56] **References Cited**

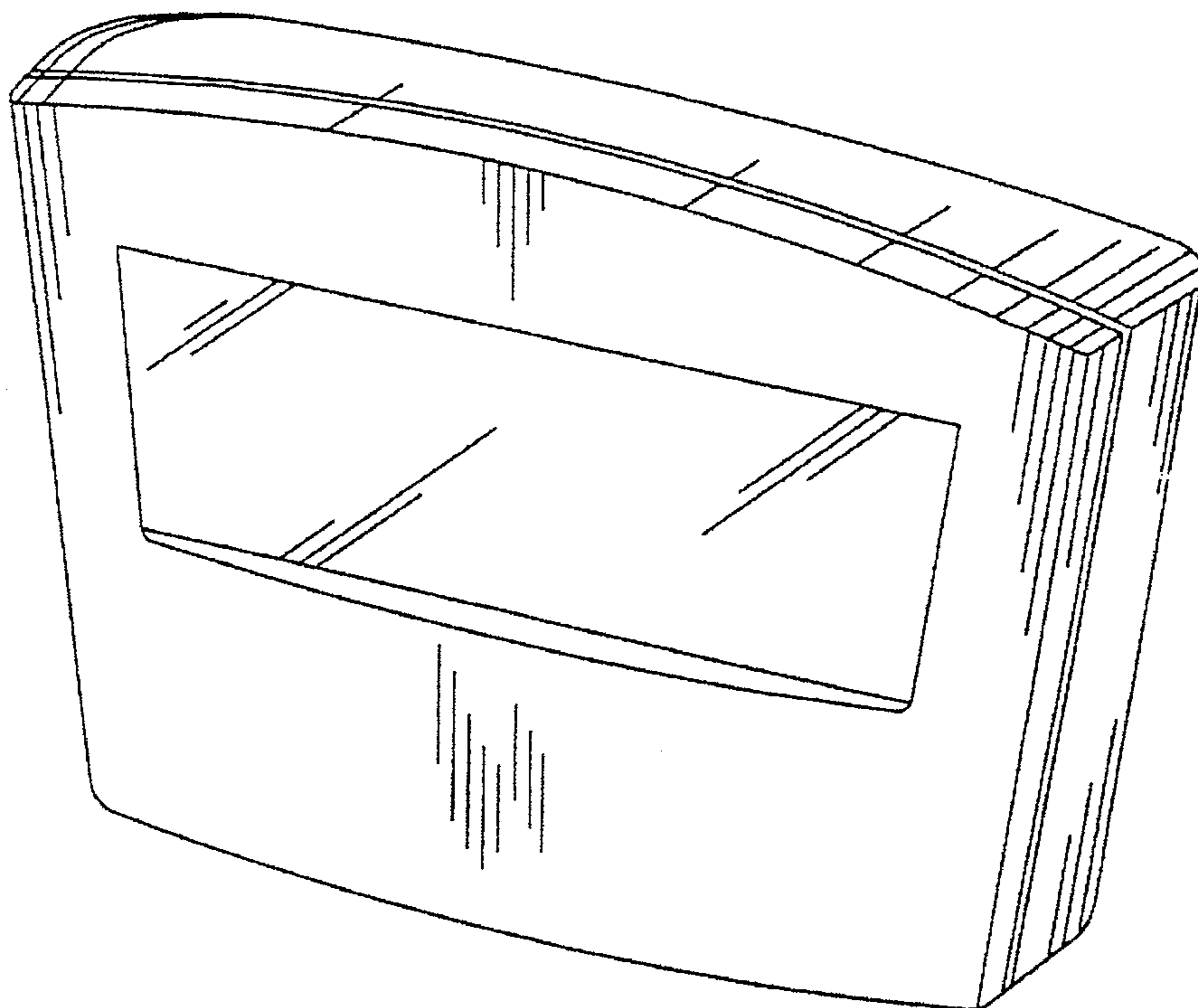
**U.S. PATENT DOCUMENTS**

D. 291,310 8/1987 Ogura ..... D14/191

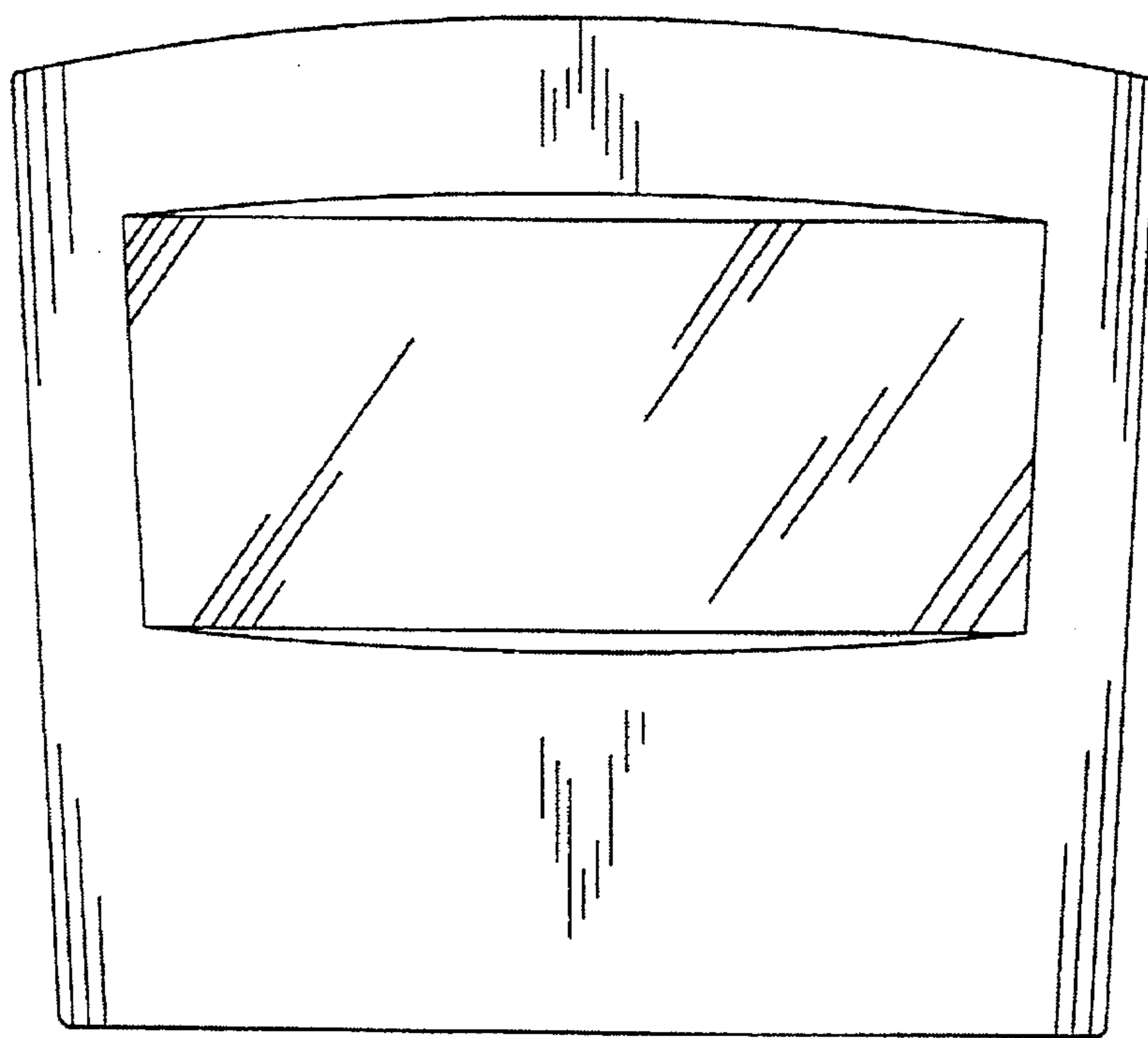
**1 Claim, 4 Drawing Sheets**



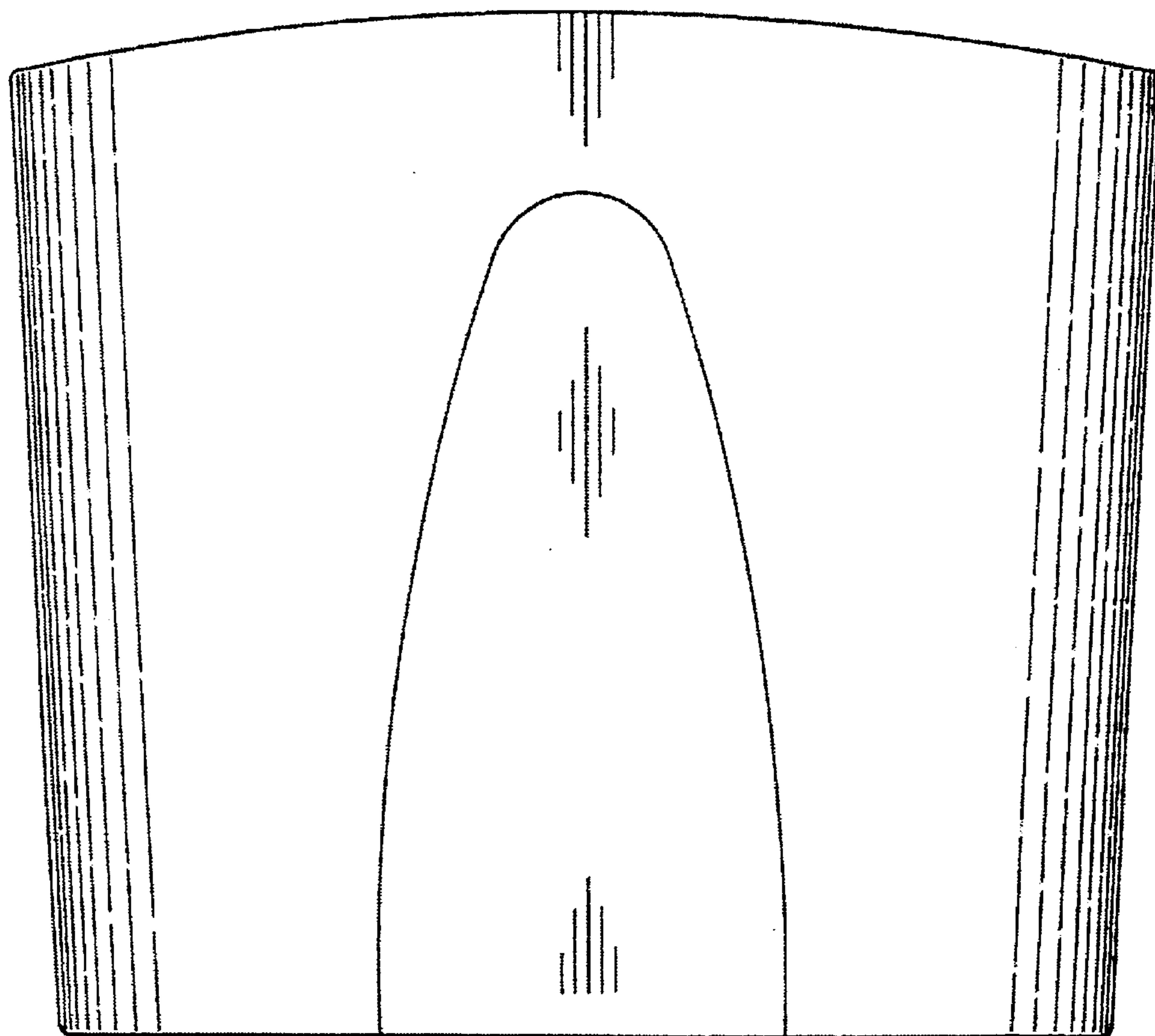
*FIG. 1*



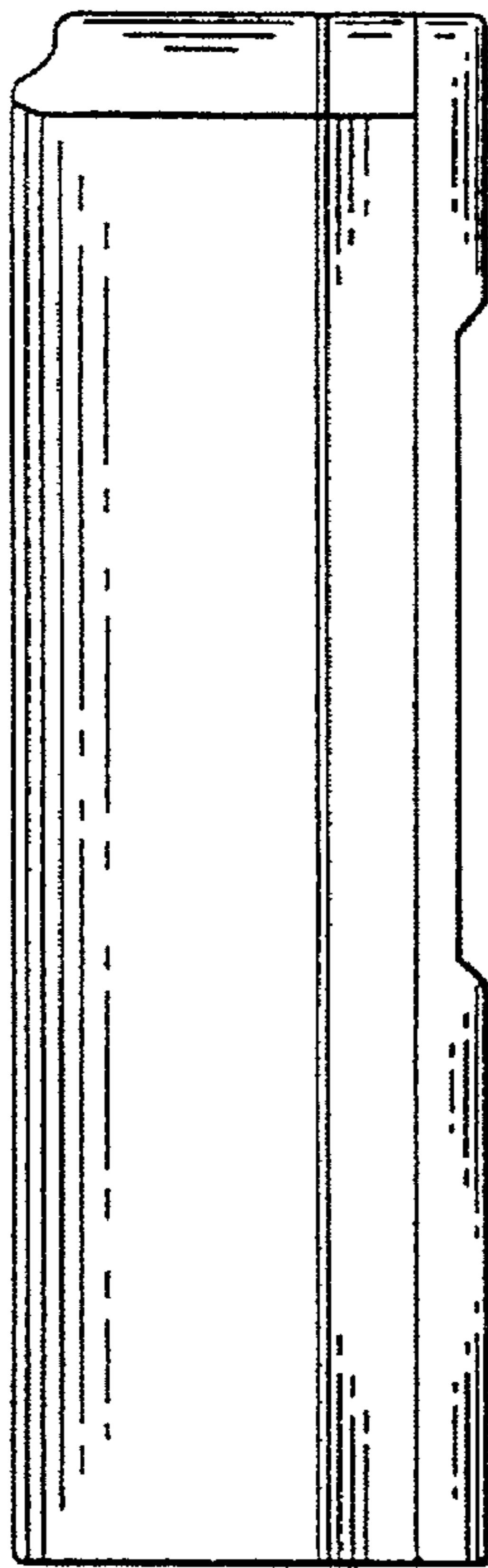
*FIG. 2*



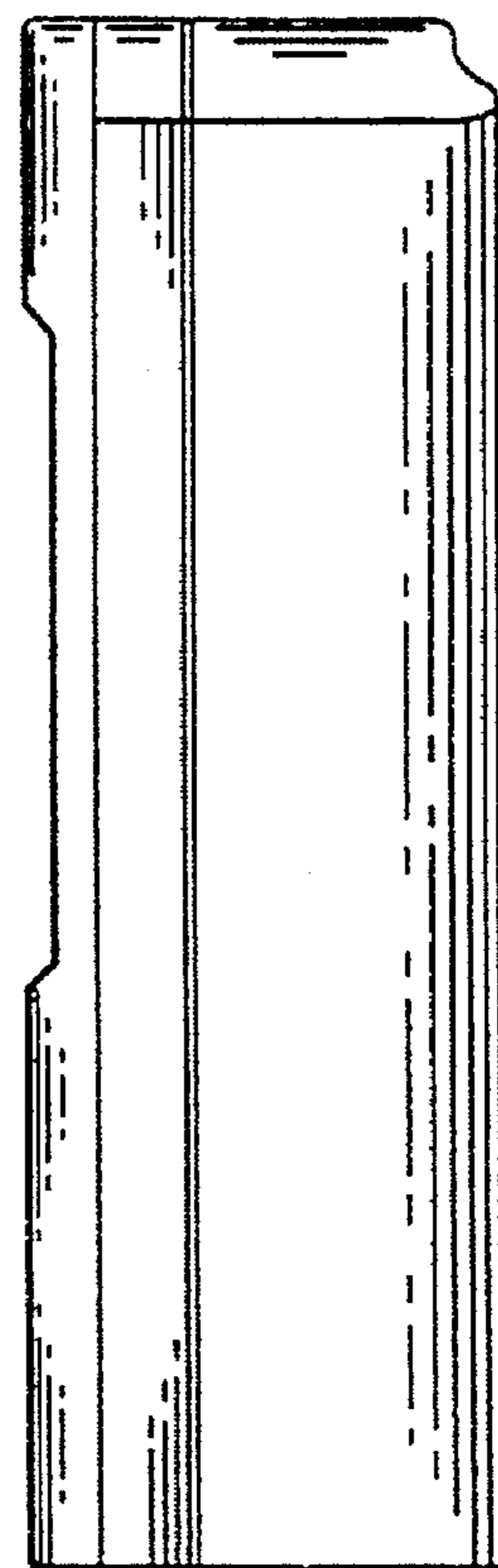
*FIG. 3*



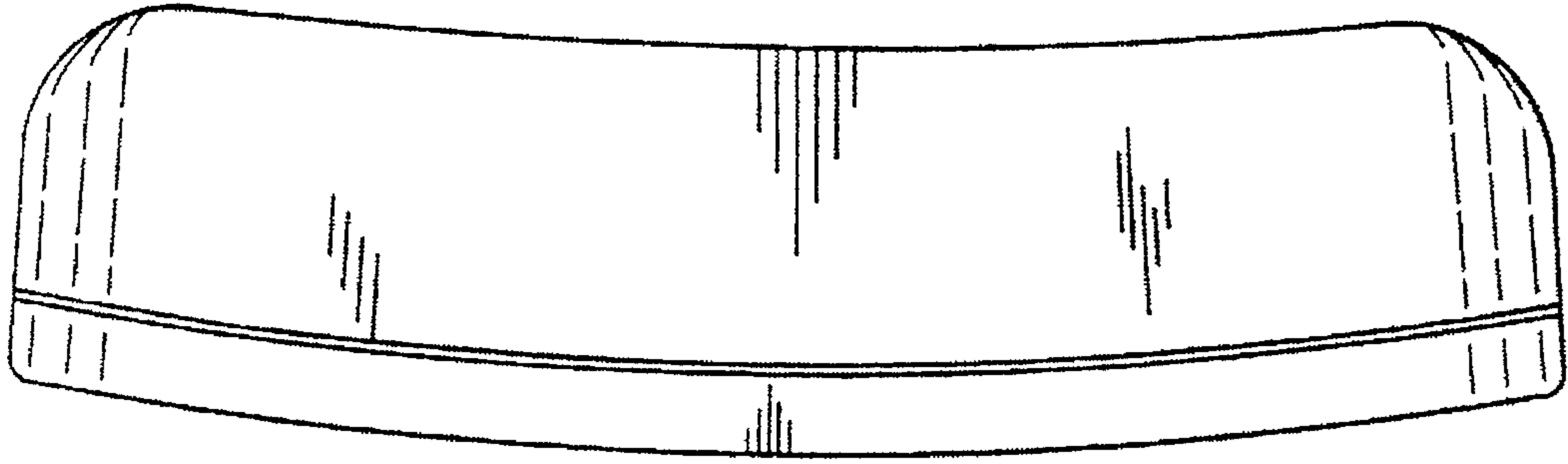
*FIG. 4*



*FIG. 5*



*FIG. 6*



*FIG. 7*

