



US00D379453S

United States Patent [19]

[11] Patent Number: **Des. 379,453**

Fabrizi

[45] Date of Patent: ****May 27, 1997**

[54] **COMBINED FACE PLATE AND SUPPORTING STRUCTURE**

41229	5/1986	Italy .	
403245709	11/1991	Japan	174/53
404344112	11/1992	Japan	174/53
406038337	2/1994	Japan	174/53
6609689	1/1968	Netherlands	220/241

[75] Inventor: **Fabrizio Fabrizio**, Bergamo, Italy

[73] Assignee: **Bticino S.p.A.**, Italy

[**] Term: **14 Years**

Primary Examiner—Joel Sincavage
Attorney, Agent, or Firm—Haverstock & Associates

[21] Appl. No.: **31,376**

[57] **CLAIM**

[22] Filed: **Nov. 23, 1994**

The ornamental design for an combined face plate and supporting structure, as shown and described.

[30] **Foreign Application Priority Data**

DESCRIPTION

May 24, 1994 [IT] Italy MI9400274

FIG. 1 illustrates a perspective view of a first embodiment of the combined face plate and supporting structure;
 FIG. 2 illustrates a front view thereof;
 FIG. 3 illustrates a side view thereof;
 FIG. 4 illustrates a top view thereof;
 FIG. 5 illustrates a perspective view of a second embodiment of the combined face plate and supporting structure;
 FIG. 6 illustrates a front view thereof;
 FIG. 7 illustrates a side view thereof;
 FIG. 8 illustrates a top view thereof;
 FIG. 9 illustrates a perspective view of a third embodiment of the combined face plate and supporting structure;
 FIG. 10 illustrates a front view thereof;
 FIG. 11 illustrates a side view thereof; and,
 FIG. 12 illustrates a top view thereof.

[51] LOC (6) Cl. **13-03**

[52] U.S. Cl. **D13/177; D13/156; D8/353**

[58] Field of Search **D13/154, 177; D8/353; 439/536, 538; 174/53, 55, 66**

[56] **References Cited**

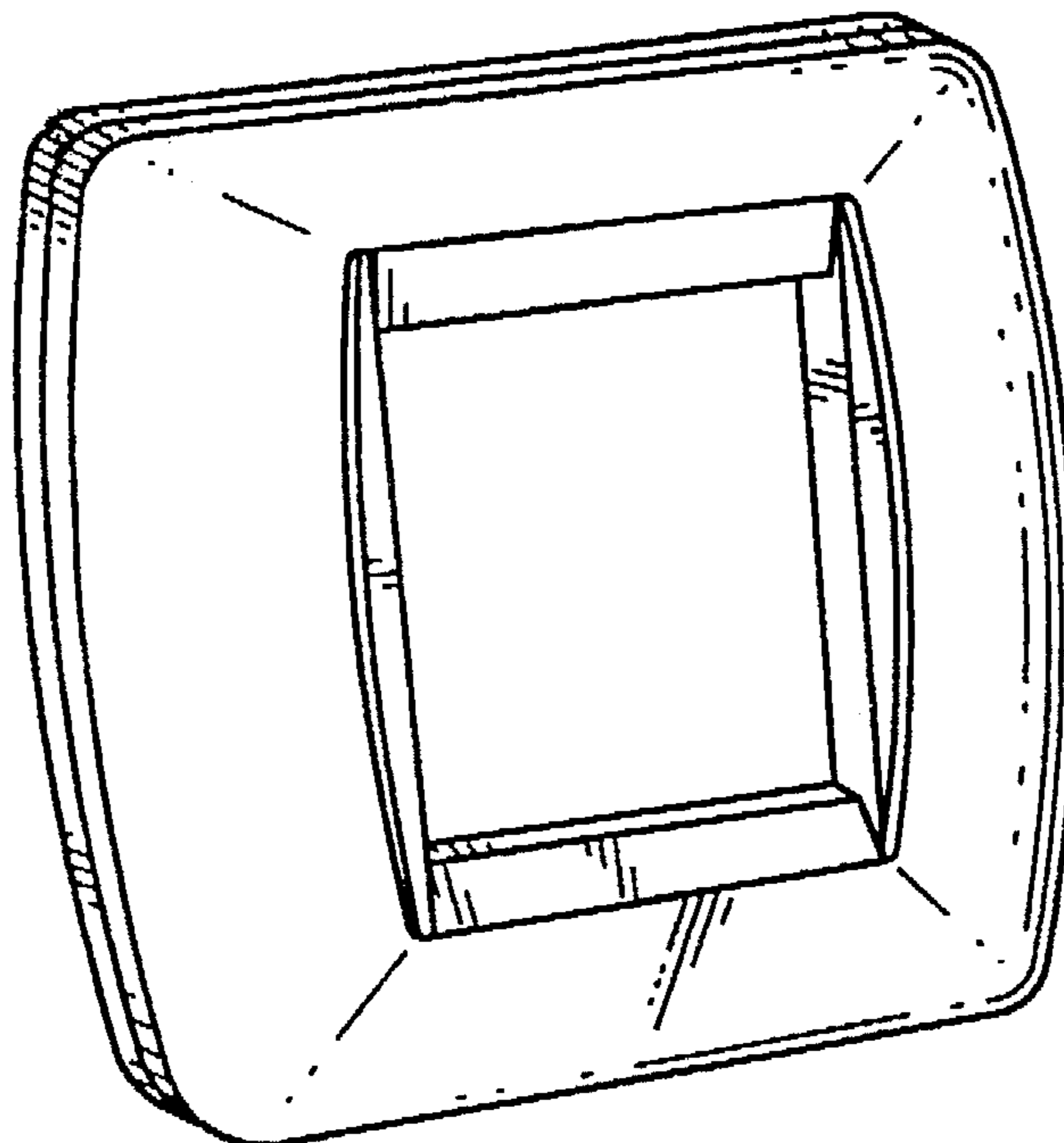
U.S. PATENT DOCUMENTS

D. 327,212	6/1992	Hubben et al.	D8/353
D. 348,825	7/1994	Below	D8/353
D. 360,352	7/1995	House et al.	D8/353
5,036,168	7/1991	Kikuchi et al.	174/53 X

FOREIGN PATENT DOCUMENTS

239720	6/1960	Australia	174/66
468869	1/1992	European Pat. Off.	D13/156

1 Claim, 3 Drawing Sheets



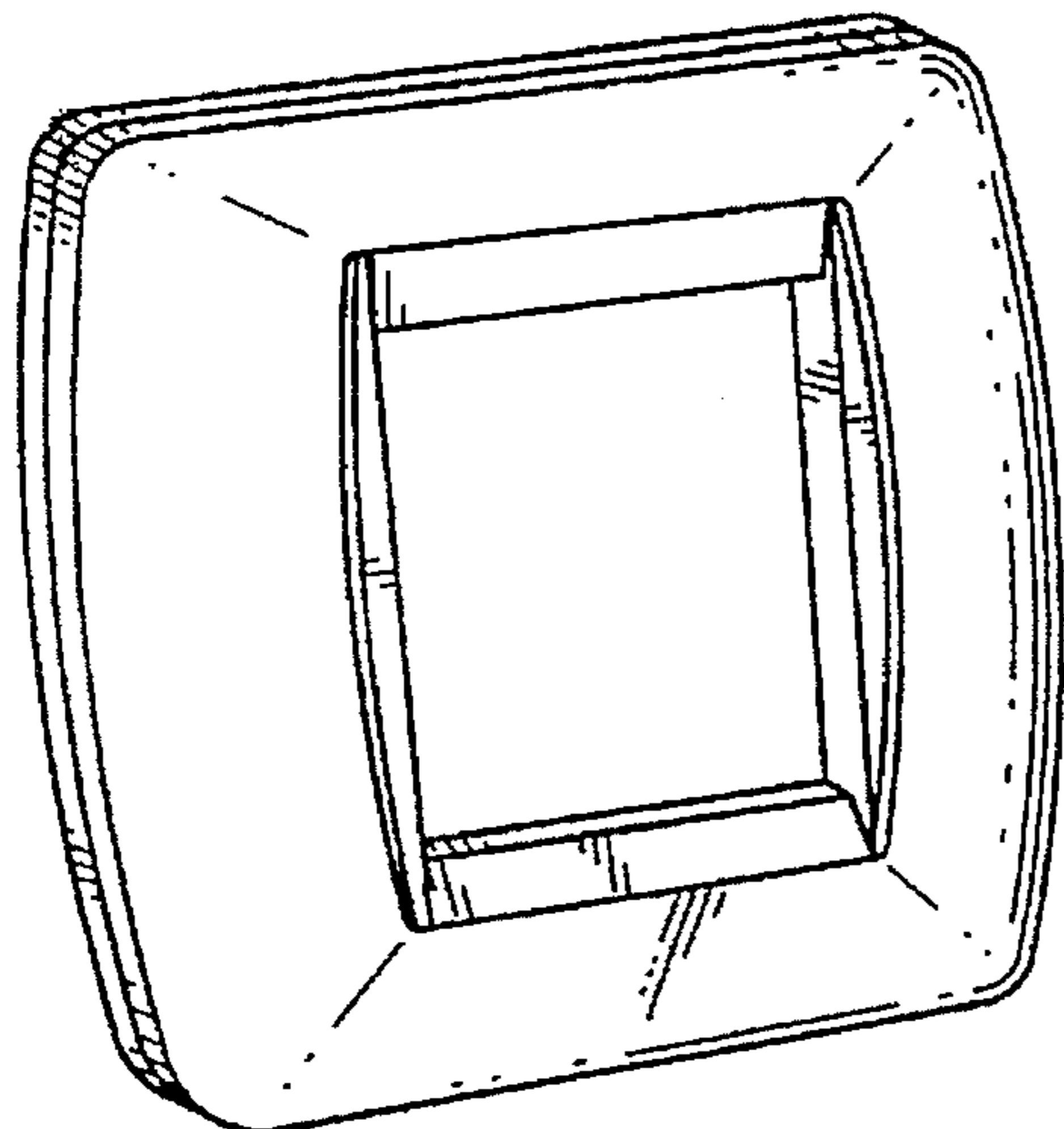


FIG. 1

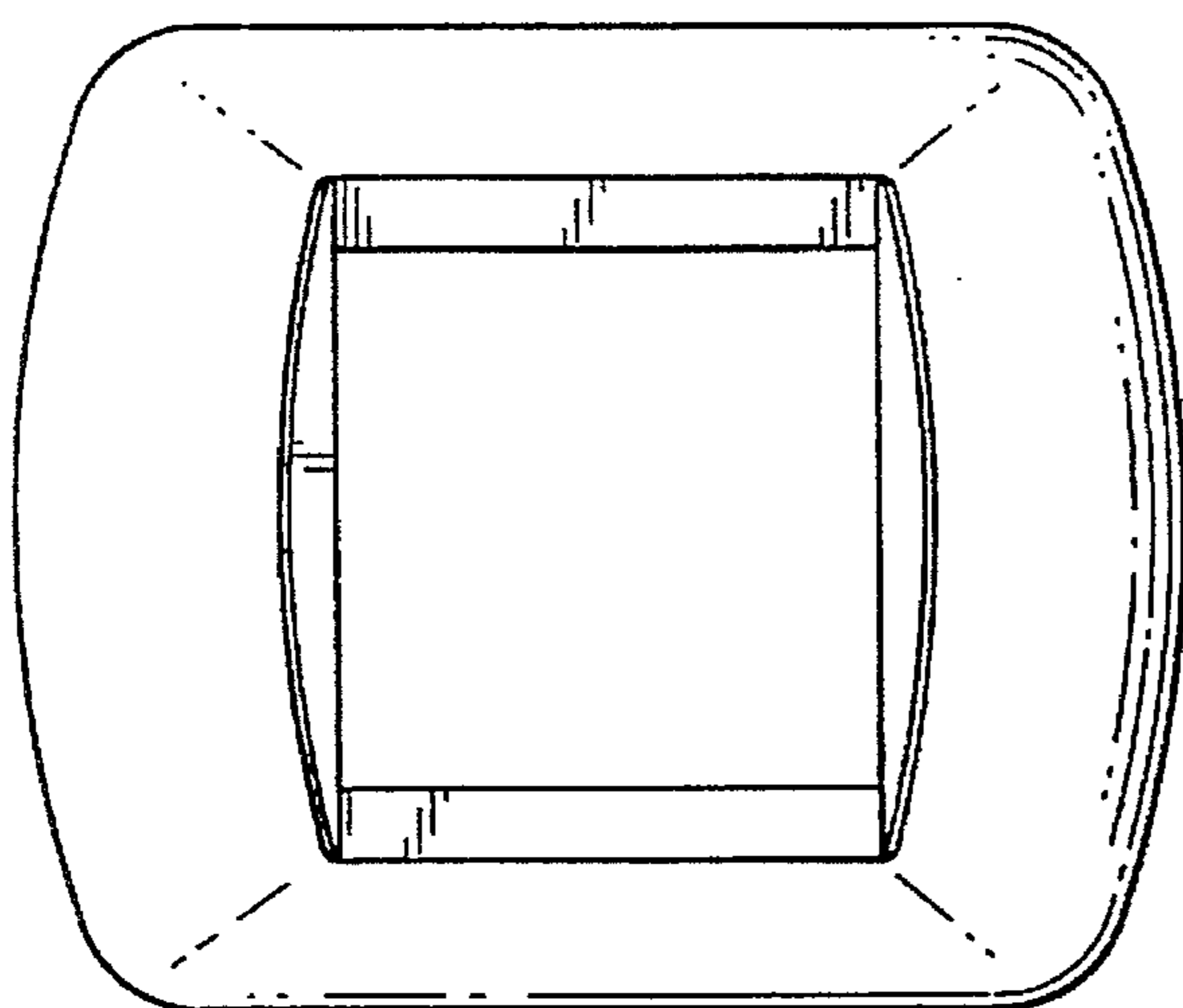


FIG. 2

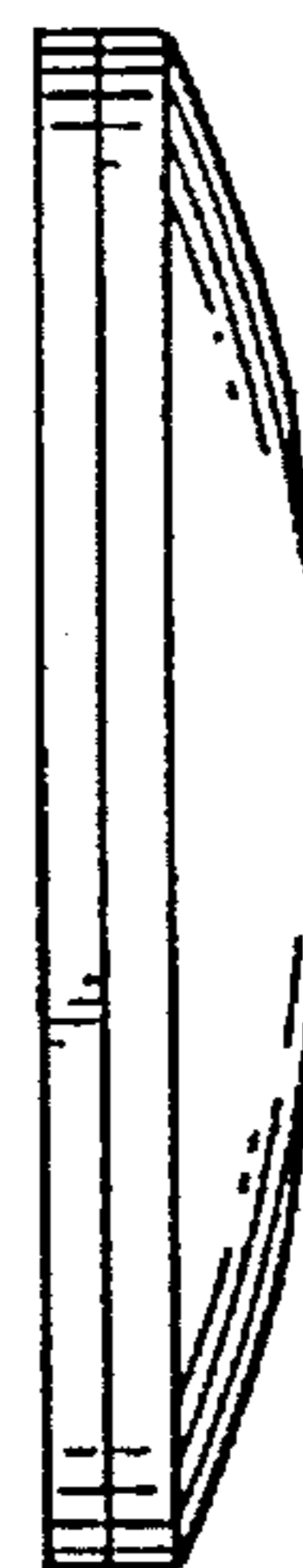


FIG. 3



FIG. 4

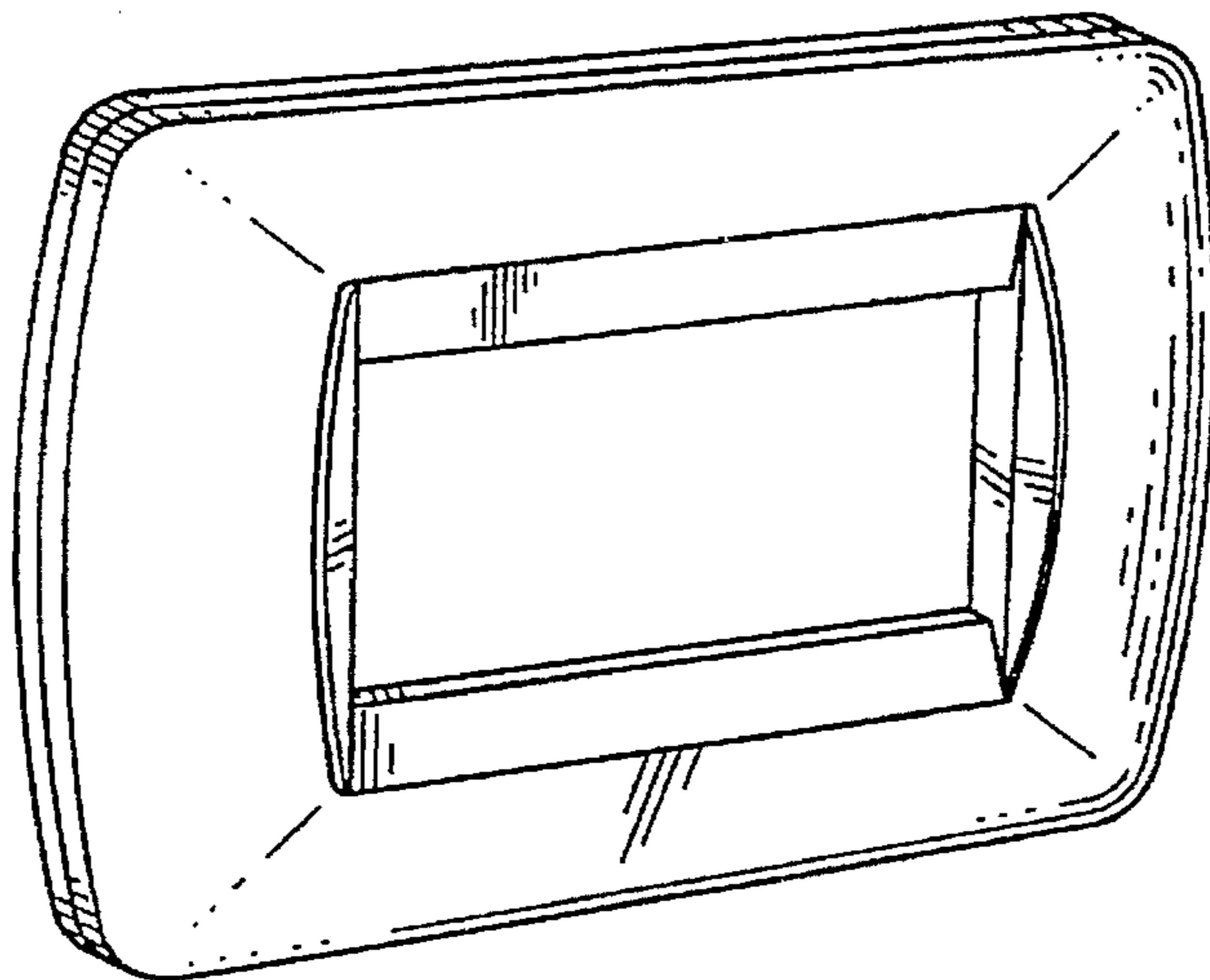


FIG. 5

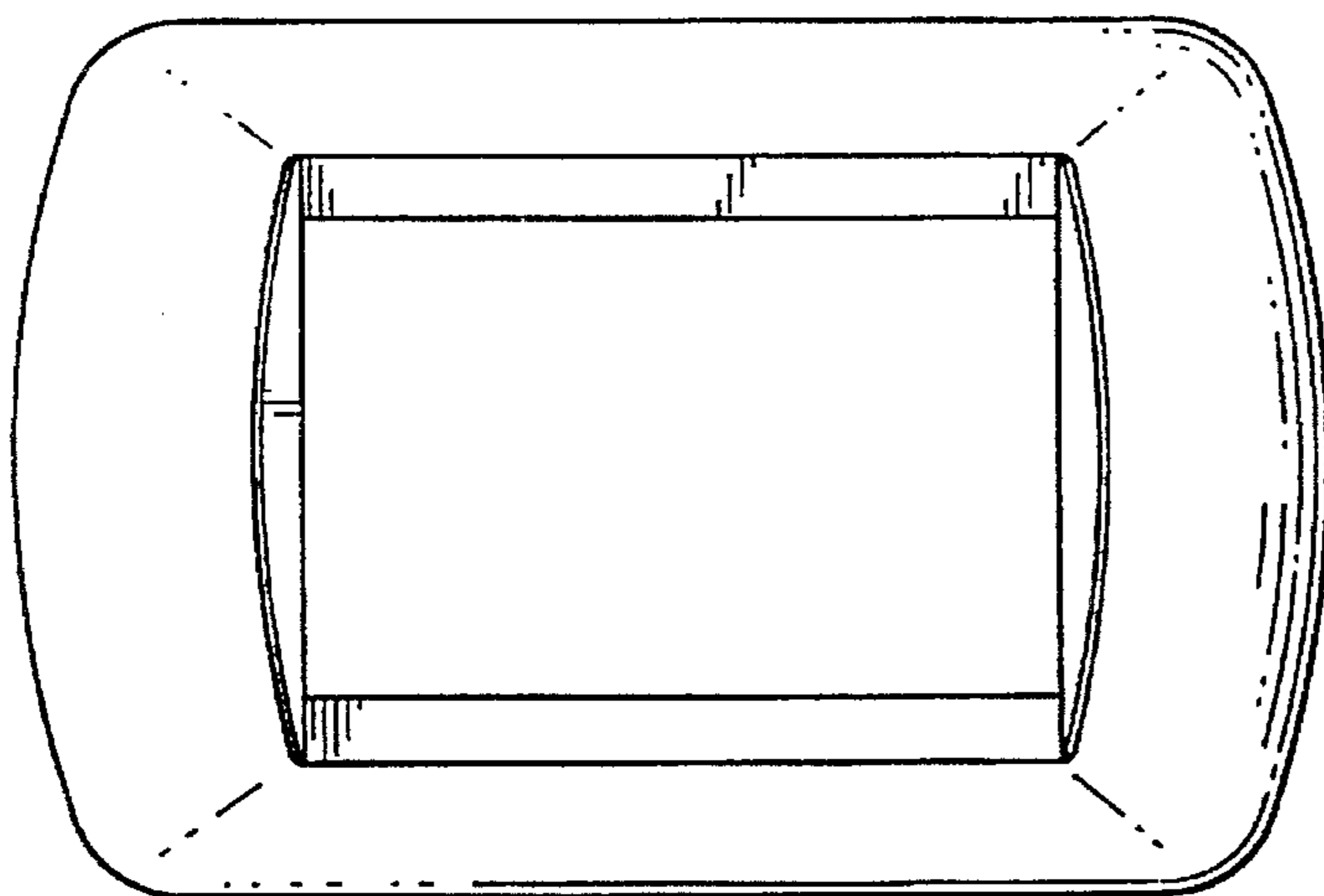


FIG. 6



FIG. 7

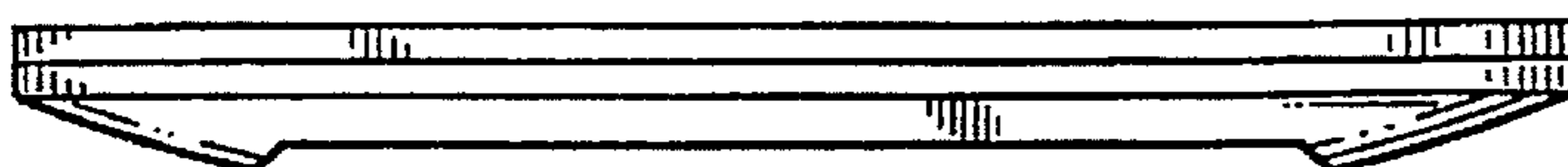


FIG. 8

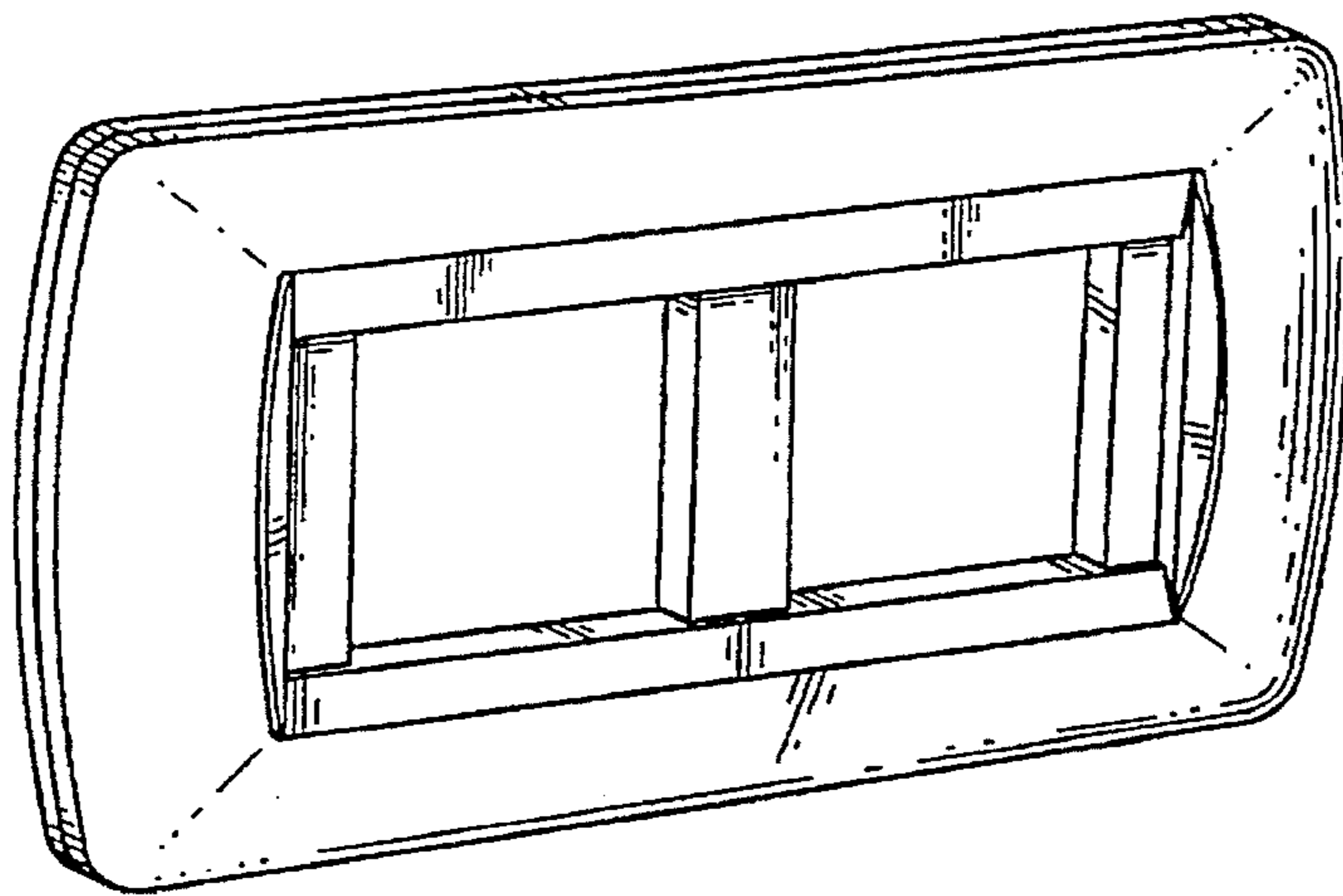


FIG. 9

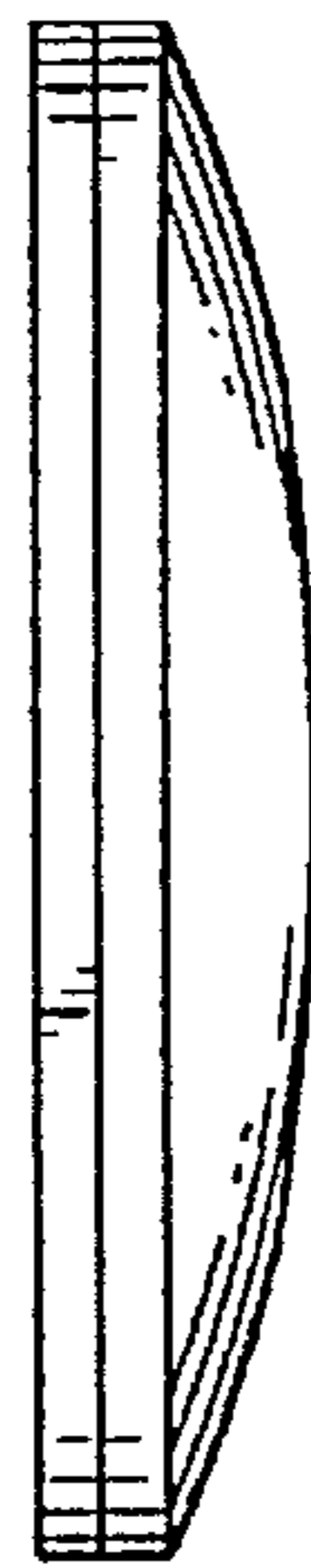


FIG. 11

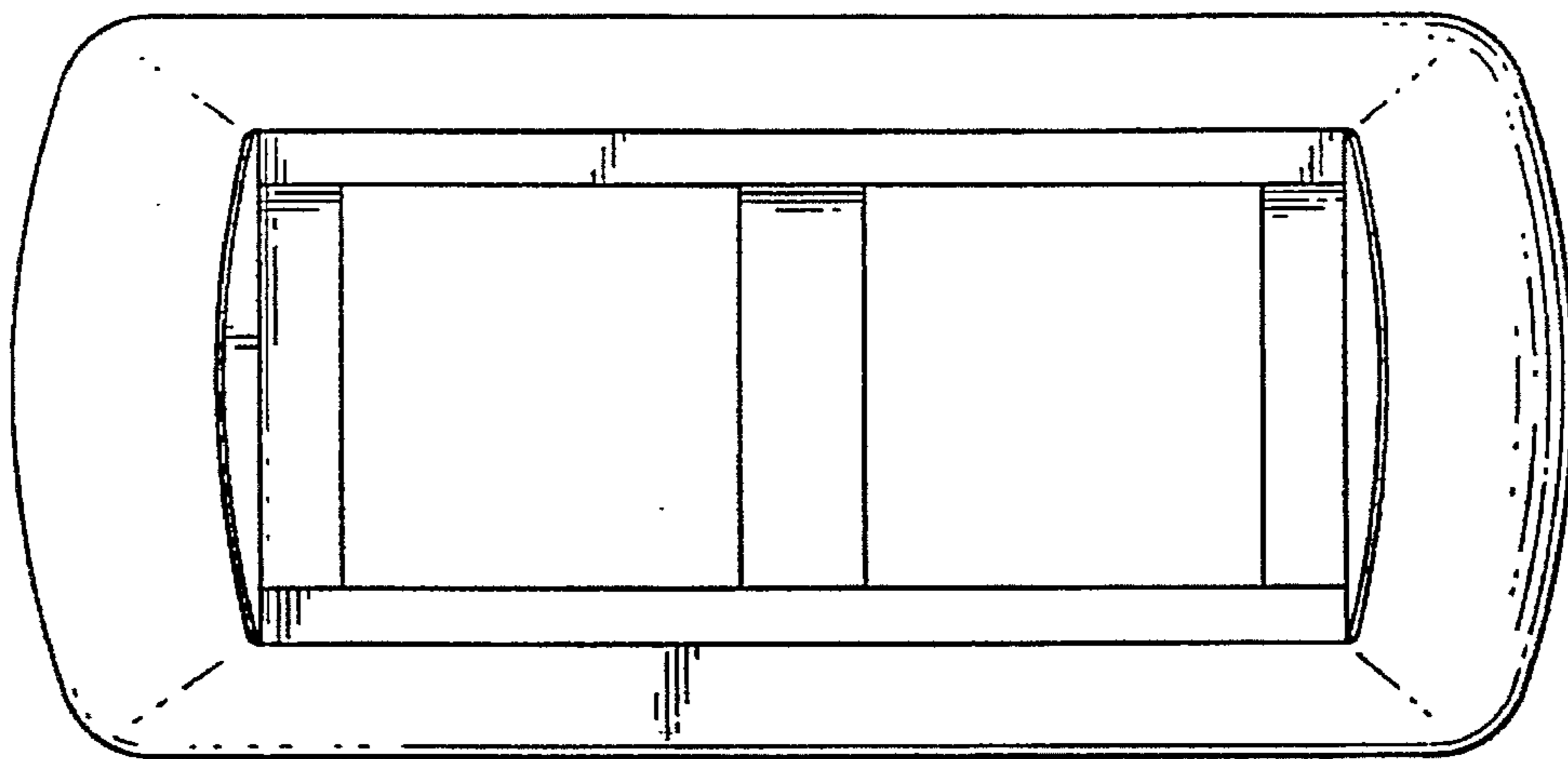


FIG. 10

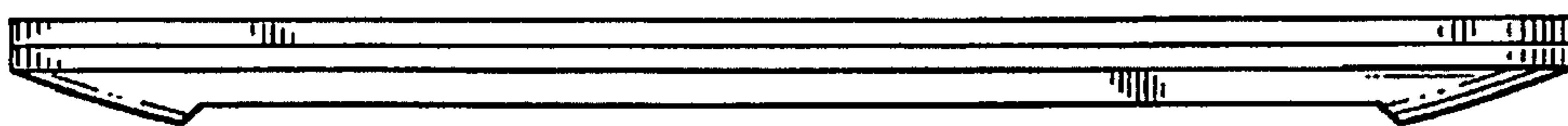


FIG. 12