



US00D379452S

# United States Patent [19]

Russell et al.

[11] Patent Number: Des. 379,452

[45] Date of Patent: \*\*May 27, 1997

[54] SEAT CADDY

[76] Inventors: **Marlena N. Russell**, 1915 Vine St., Chattanooga, Tenn. 37404; **Jeffery Lindsey**, 1005 Fairmount Ave., Chattanooga, Tenn. 37405

[\*\*] Term: 14 Years

[21] Appl. No.: 41,113

[22] Filed: Jul. 6, 1995

[51] LOC (6) Cl. .... 12-16

[52] U.S. Cl. .... D12/416

[58] Field of Search ..... D12/416; D6/513, D6/514, 553, 559; 224/42.42, 209, 275, 539, 540, 544, 563; 296/37.1, 37.5, 37.6, 37.8; 297/188.06

[56] **References Cited**

**U.S. PATENT DOCUMENTS**

- D. 292,347 10/1987 Scott-Smith ..... D12/416
- D. 293,162 12/1987 Carmichael ..... D12/416
- D. 300,399 3/1989 Krugman ..... D6/553
- D. 312,727 12/1990 Kunewalder ..... D12/416

- D. 313,524 1/1991 Barnes ..... D6/553
- D. 324,953 3/1992 Swanner ..... D12/416
- 2,767,895 10/1956 Smith ..... D12/416
- 5,154,337 10/1992 Sanders ..... 224/275
- 5,282,595 2/1994 Greene ..... 224/275

Primary Examiner—Melody N. Brown  
Attorney, Agent, or Firm—Alan Ruderman

[57] **CLAIM**

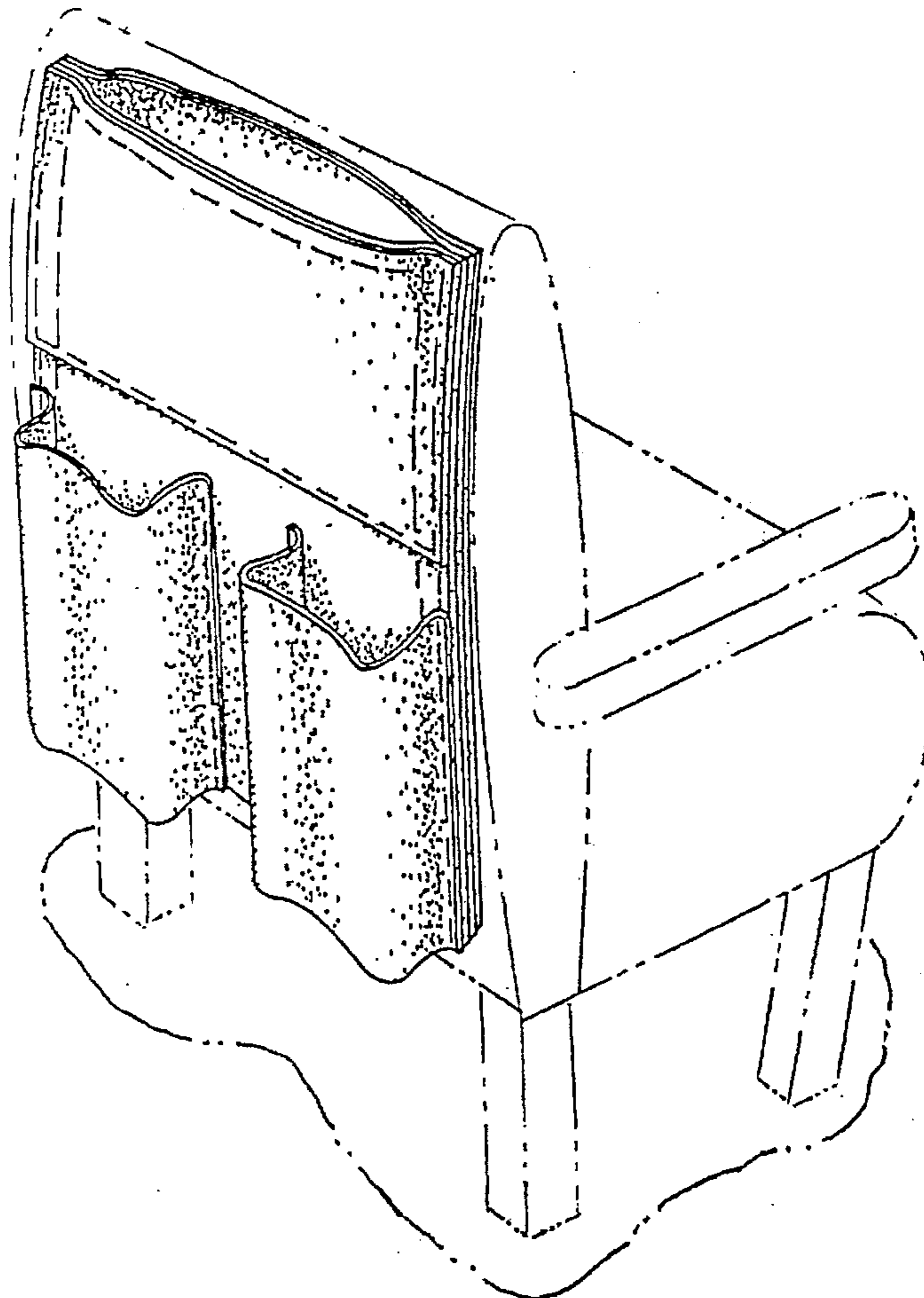
The ornamental design for a seat caddy, as shown and described.

**DESCRIPTION**

FIG. 1 is a front perspective view of a seat caddy embodying our new design, illustrated in an operative mode;  
 FIG. 2 is a front perspective view as illustrated from the end opposite that of FIG. 1;  
 FIG. 3 is a rear elevational view thereof;  
 FIG. 4 is a top plan view thereof; and,  
 FIG. 5 is a bottom plan view thereof.

The broken lines shown in FIG. 1 of the drawing are for illustrative purposes only and form no part of the claimed design.

1 Claim, 1 Drawing Sheet



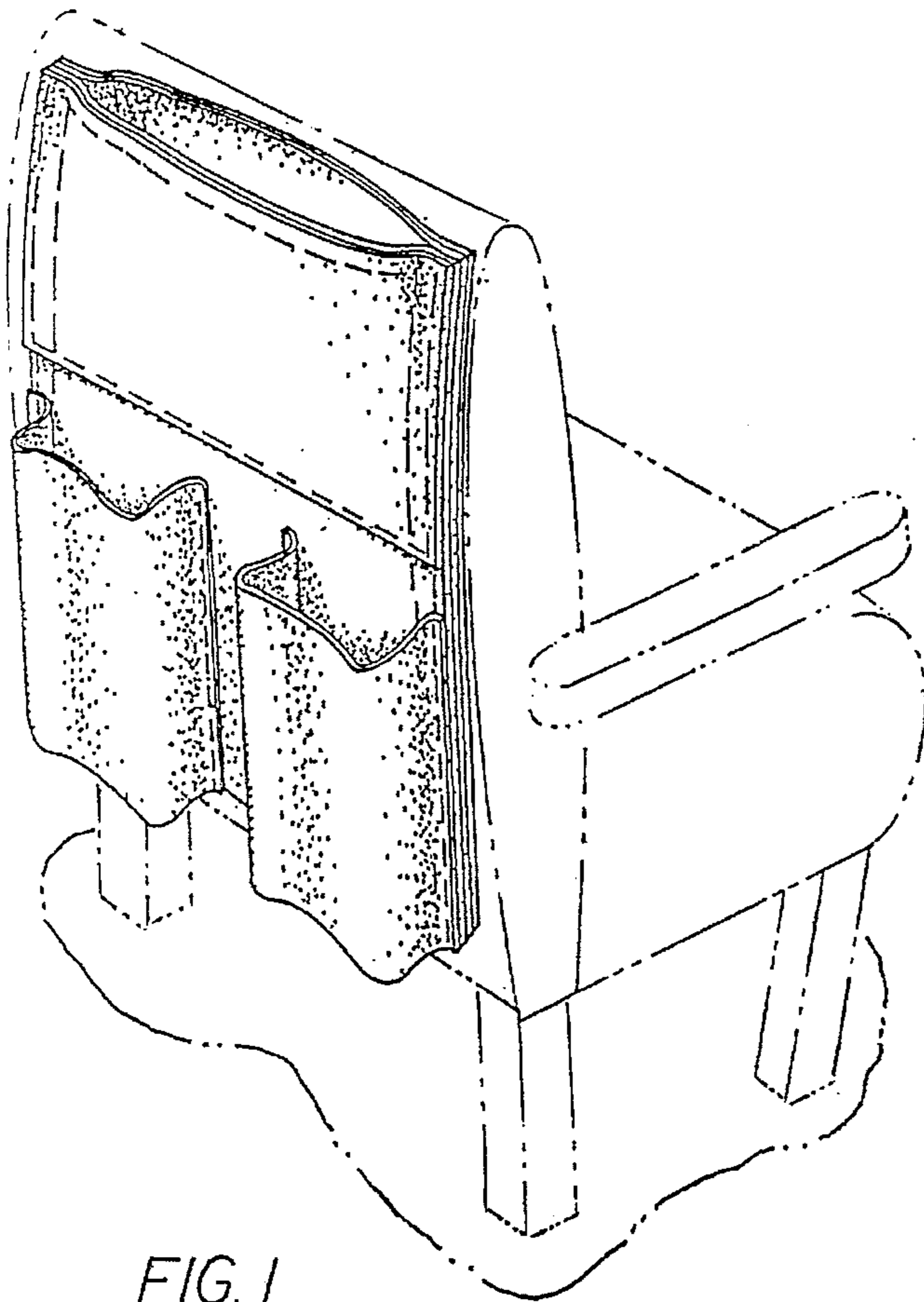


FIG. 1

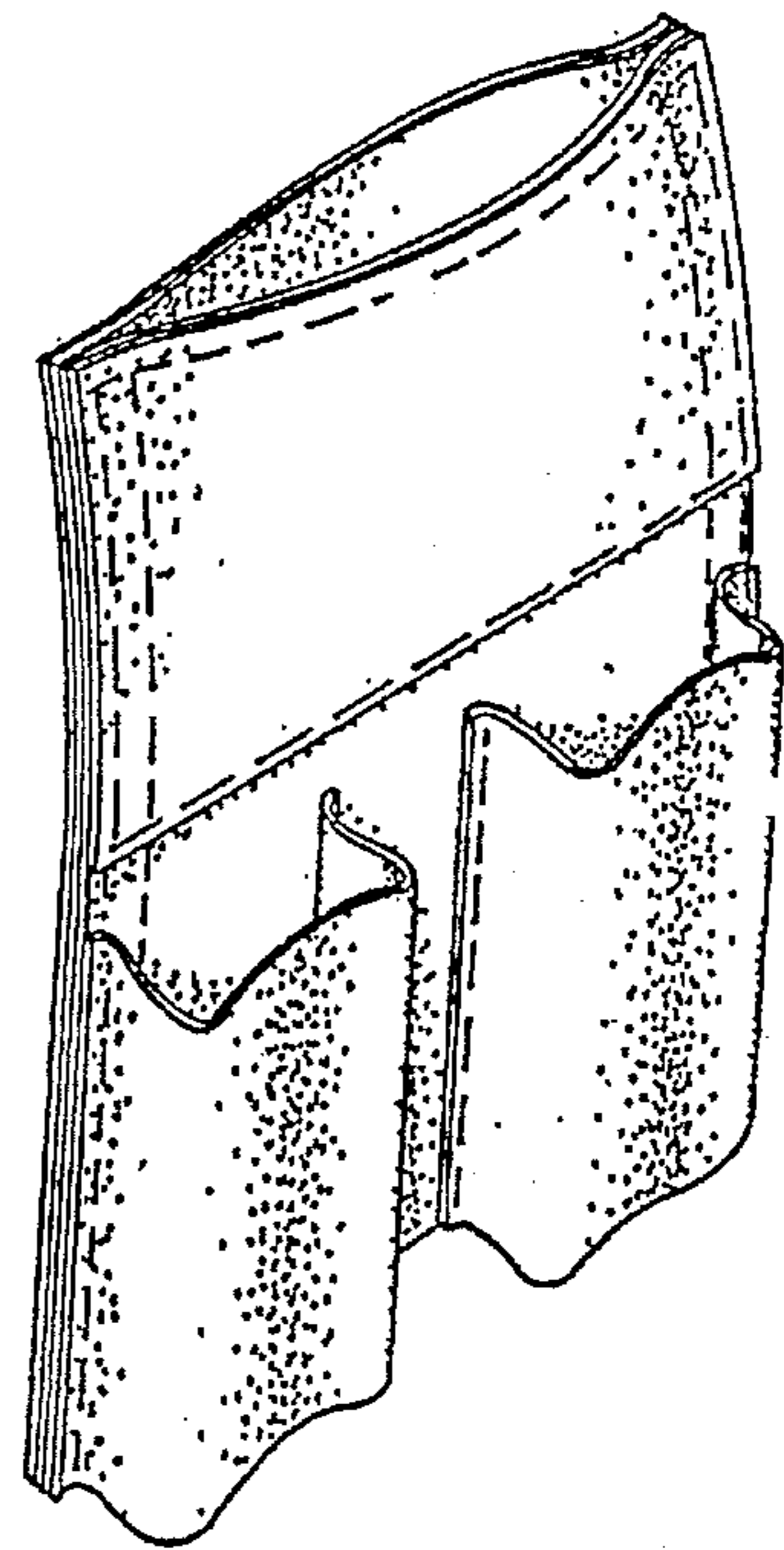


FIG. 2

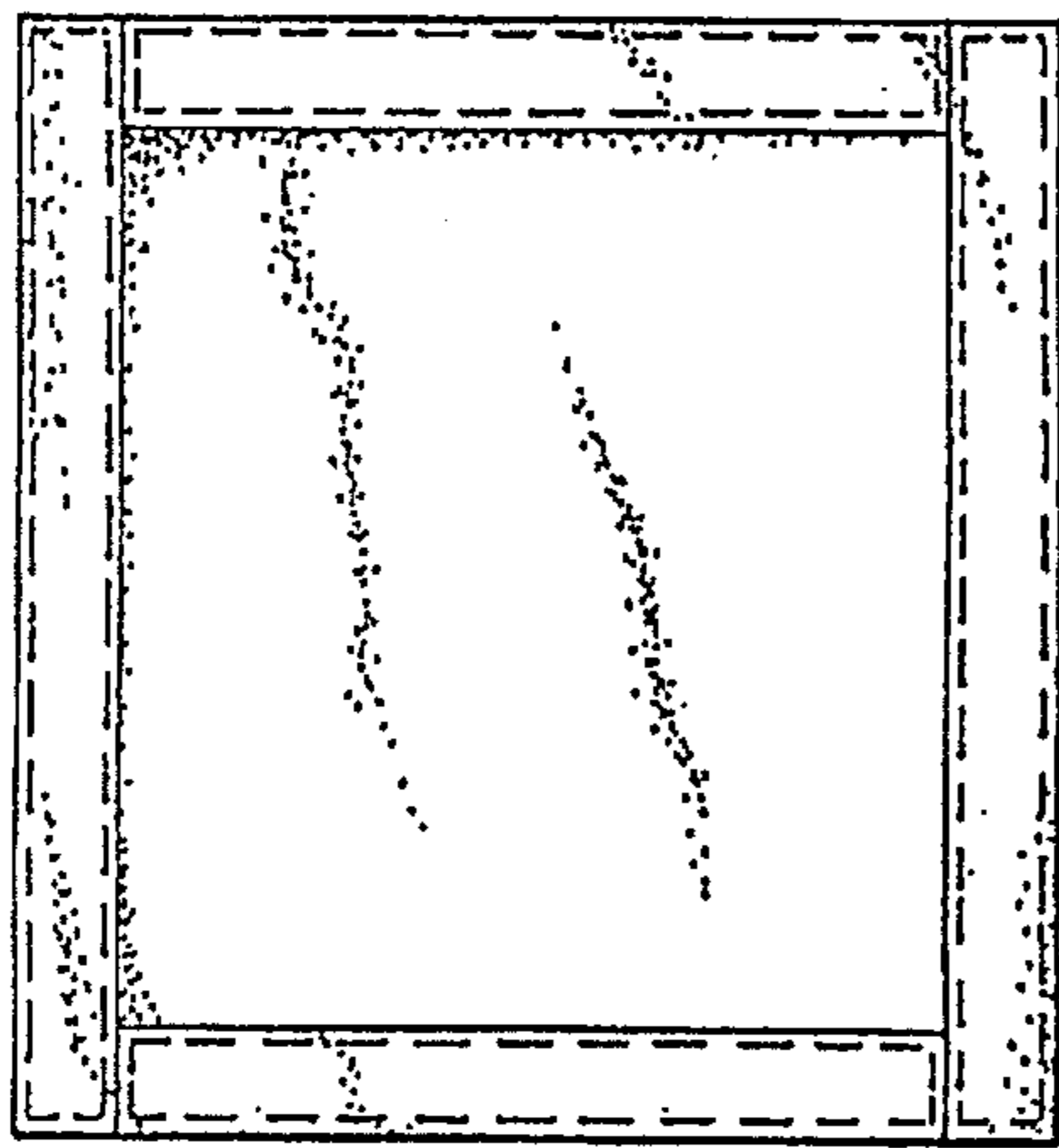


FIG. 3

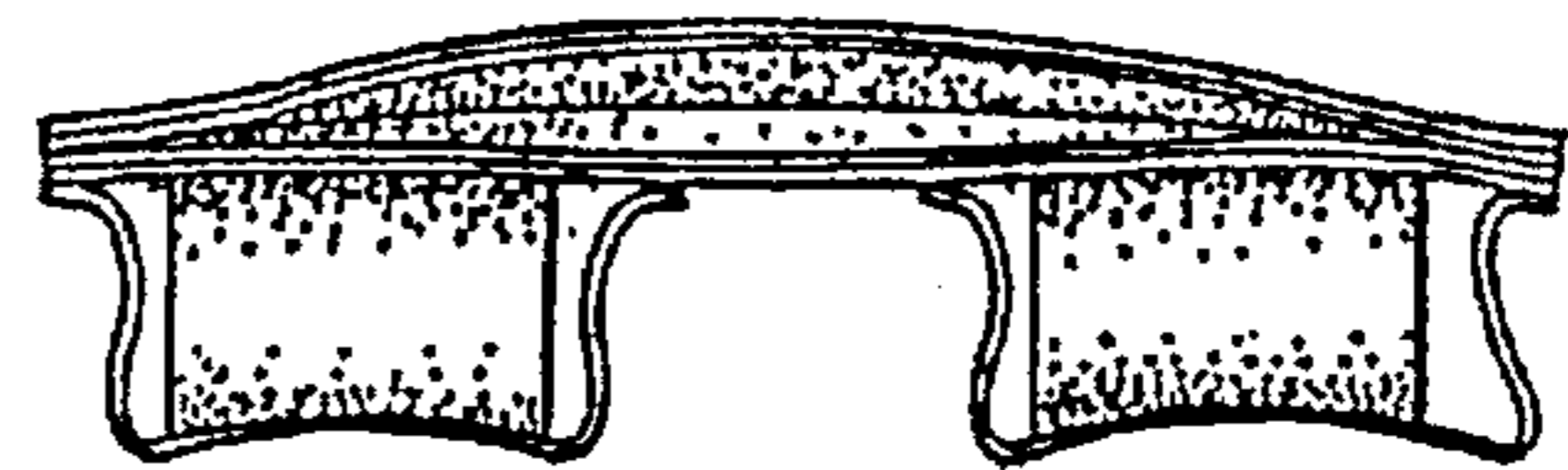


FIG. 4

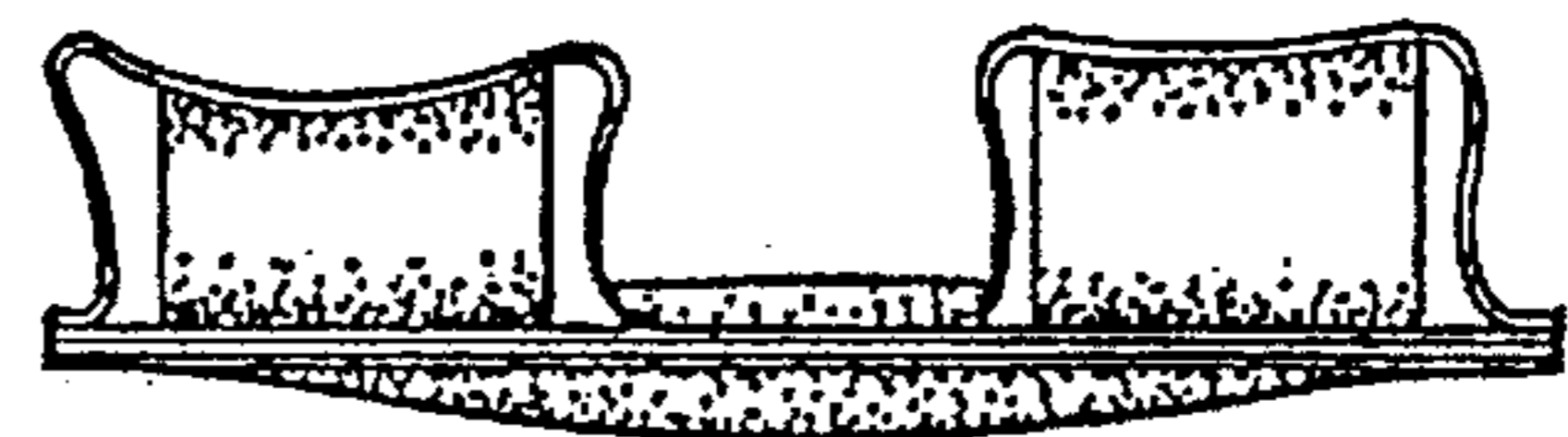


FIG. 5