



US00D379451S

United States Patent [19]
Mannerfelt

[11] **Patent Number: Des. 379,451**

[45] **Date of Patent: **May 27, 1997**

[54] **BOAT**

FOREIGN PATENT DOCUMENTS

[76] **Inventor: Göran Mannerfelt, Trebackavägen 12,
S-182 65 Djursholm, Sweden**

88/09283 12/1988 WIPO 114/56

[**] **Term: 14 Years**

*Primary Examiner—Kay H. Chin
Attorney, Agent, or Firm—Klarquist Sparkman Campbell
Leigh & Whinston, LLP*

[21] **Appl. No.: 52,245**

[57] **CLAIM**

[22] **Filed: Mar. 26, 1996**

The ornamental design for a boat, as shown and described.

[51] **LOC (6) Cl. 12-06**

DESCRIPTION

[52] **U.S. Cl. D12/314; D12/313**

[58] **Field of Search D12/300, 311,
D12/312, 313, 314; 114/271, 56, 291**

FIG. 1 is an elevational side view of the right side of the boat, the opposite side being the same. The boat is illustrated in an attitude in which the boat rests in water;

[56] **References Cited**

FIG. 2 is a rear view of the boat;

U.S. PATENT DOCUMENTS

FIG. 3 is a front view of the boat;

D. 222,510 10/1971 Centaro D12/300

FIG. 4 is a top view of the boat; and,

D. 359,941 7/1995 Mannerfelt D12/314

FIG. 5 is a bottom view of the boat.

5,046,439 9/1991 Goodson et al. 114/271

5,351,642 10/1994 Ackerbloom 114/291

1 Claim, 1 Drawing Sheet

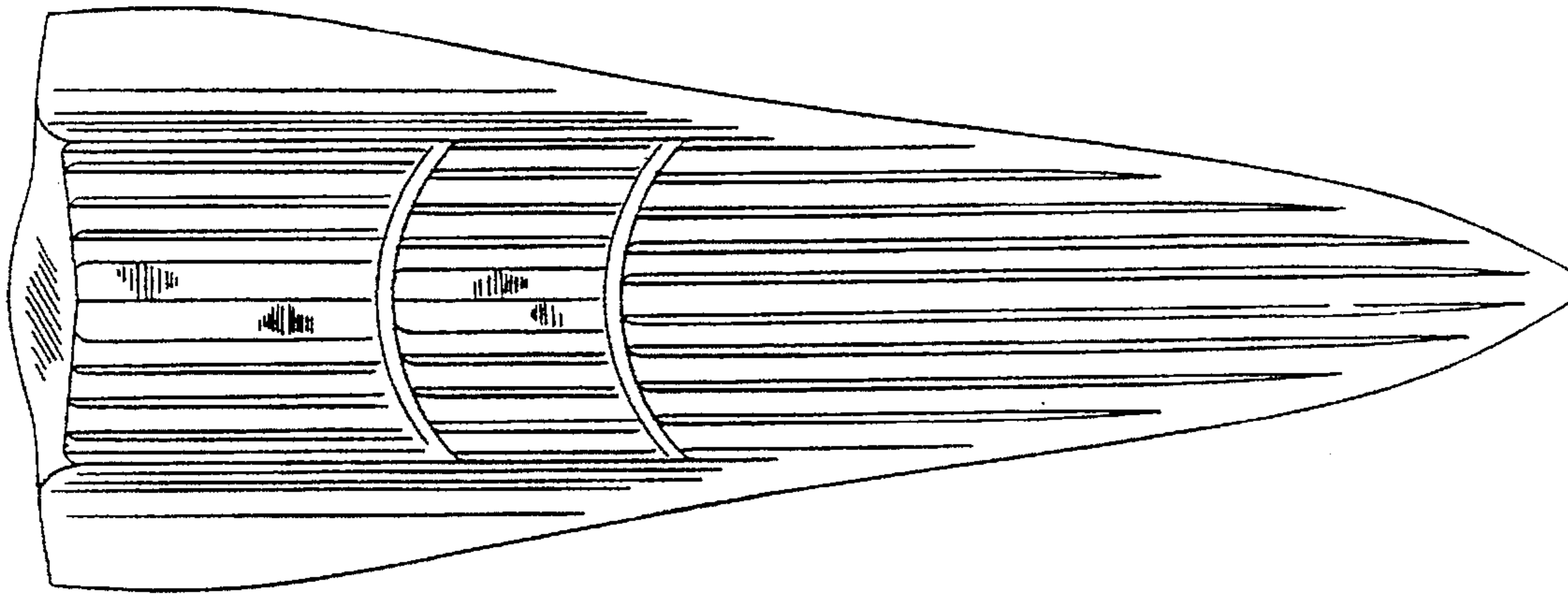
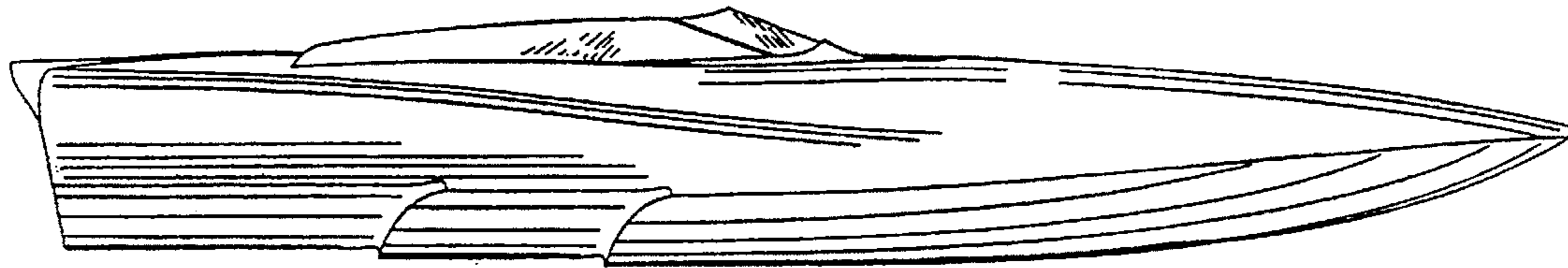


FIG. 1

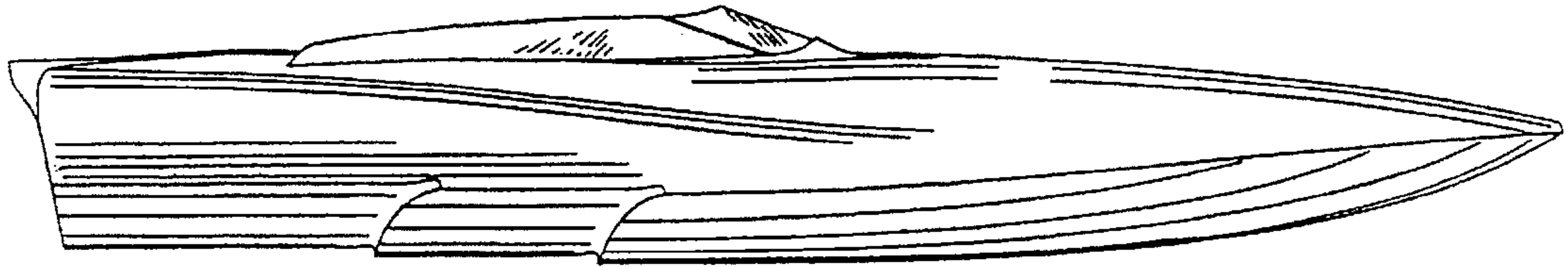


FIG. 4

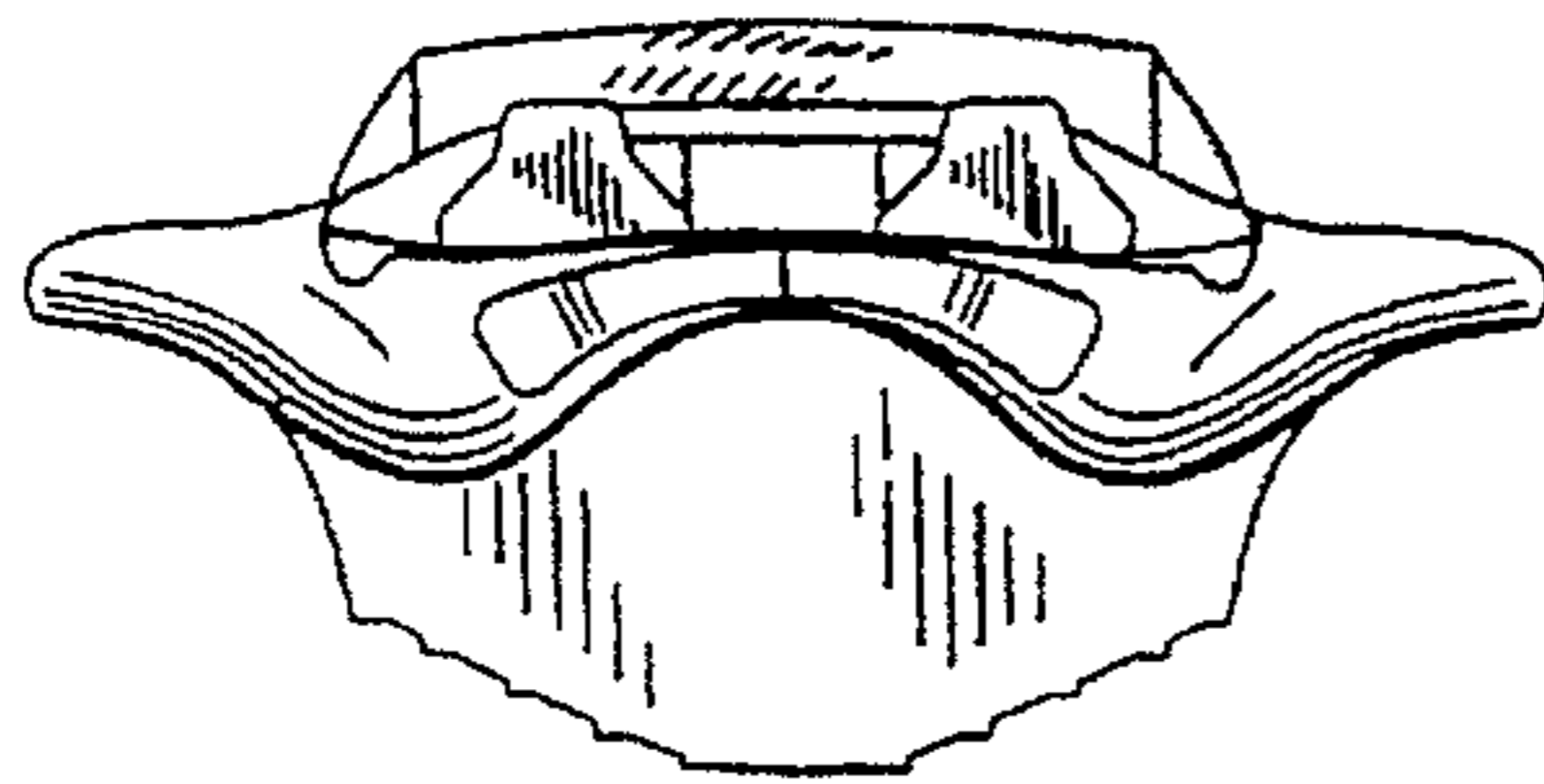


FIG. 2

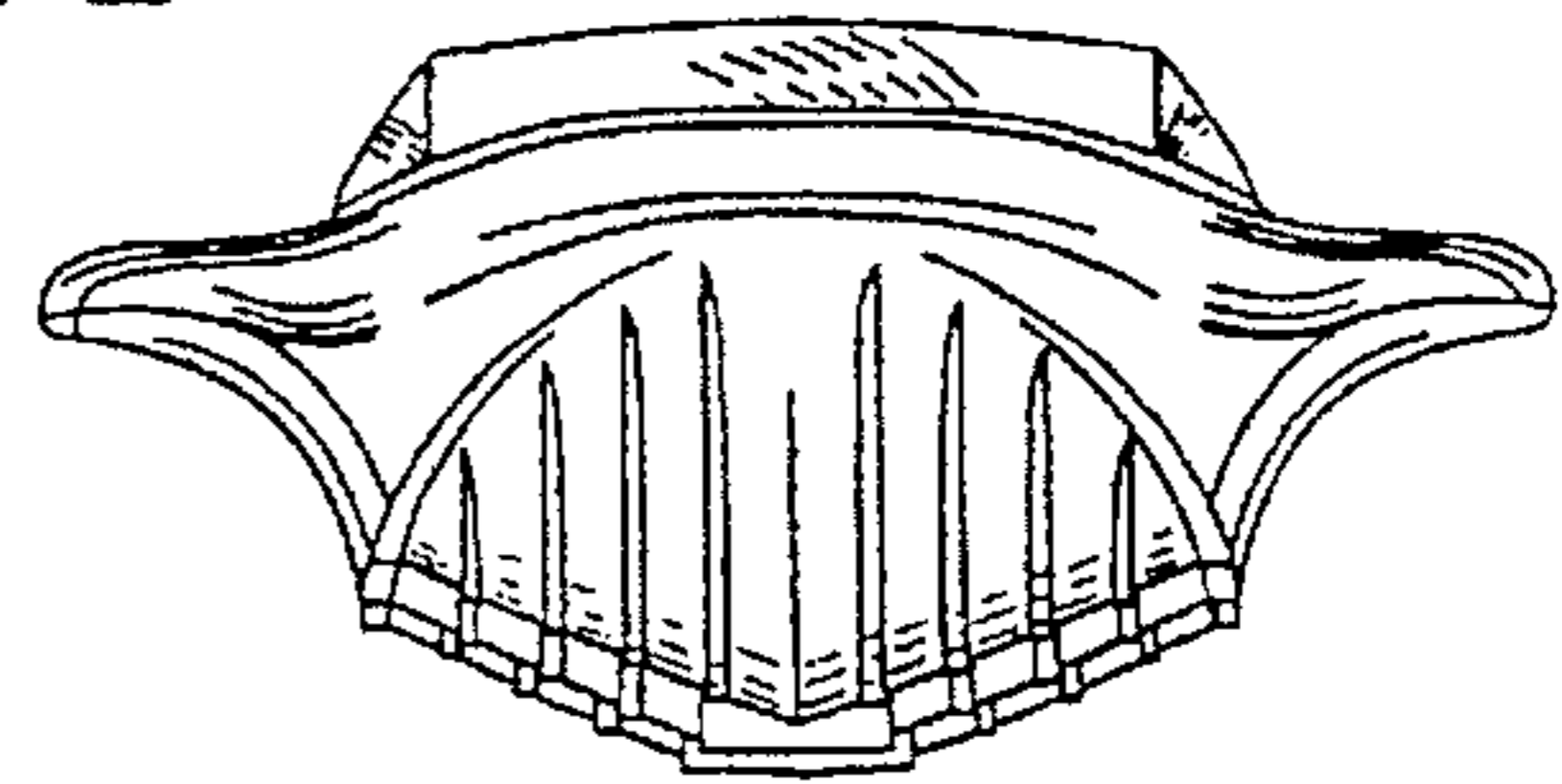


FIG. 3

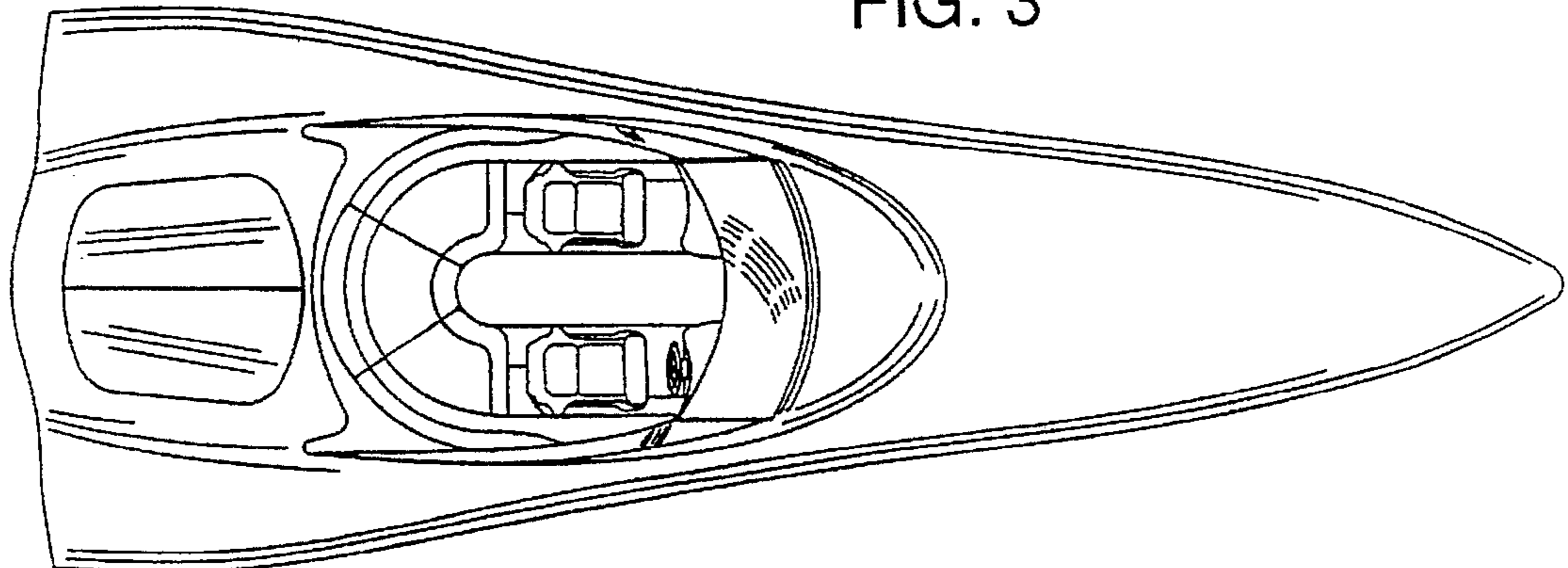


FIG. 5

