



US00D379441S

United States Patent [19]

[11] Patent Number: Des. 379,441

Villamizar et al.

[45] Date of Patent: **May 27, 1997

[54] TIRE TREAD

[75] Inventors: **William U. Villamizar**, Mersch, Luxembourg; **Richard Heinen**, Habay-la-Neuve; **Alain A. Z. S. Klepper**, Bastogne, both of Belgium; **Maurice Graas**, Reichlange, Luxembourg; **Michel Constant**, Bastogne, Belgium

[73] Assignee: **The Goodyear Tire & Rubber Company**, Akron, Ohio

[**] Term: **14 Years**

[21] Appl. No.: **50,645**

[22] Filed: **Feb. 21, 1996**

[51] LOC (6) Cl. **12-15**

[52] U.S. Cl. **D12/141**

[58] Field of Search D12/141-143, D12/146-148; 152/209 R, 209 D

[56] **References Cited**

U.S. PATENT DOCUMENTS

D. 296,315	6/1988	Hayakawa et al.	D12/142
D. 298,115	10/1988	Kuroda	D12/146
D. 301,024	5/1989	Himuro et al.	D12/147
D. 317,740	6/1991	Takehara	D12/146
D. 332,767	1/1993	Tsuda et al.	D12/147
D. 339,775	9/1993	Himuro et al.	D12/147
D. 340,889	11/1993	Himuro et al.	D12/147
D. 341,558	11/1993	Matsushita et al.	D12/147

D. 344,477	2/1994	Lardo	D12/146
D. 347,607	6/1994	Montag et al.	D12/147
D. 350,507	9/1994	Helluim	D12/141
D. 364,370	11/1995	Weimer et al.	D12/147
D. 372,008	7/1996	Van de Meer	D12/147

OTHER PUBLICATIONS

Mickey Thompson Competitor tire, 1994 *Tread Design Guide*, p. 42, third row, far left.
Mastercraft Solitaire tire, 1995 *Tread Design Guide*, p. 44, bottom row, second from right.

Primary Examiner—James Gandy
Assistant Examiner—Robert M. Spear
Attorney, Agent, or Firm—T. P. Lewandowski

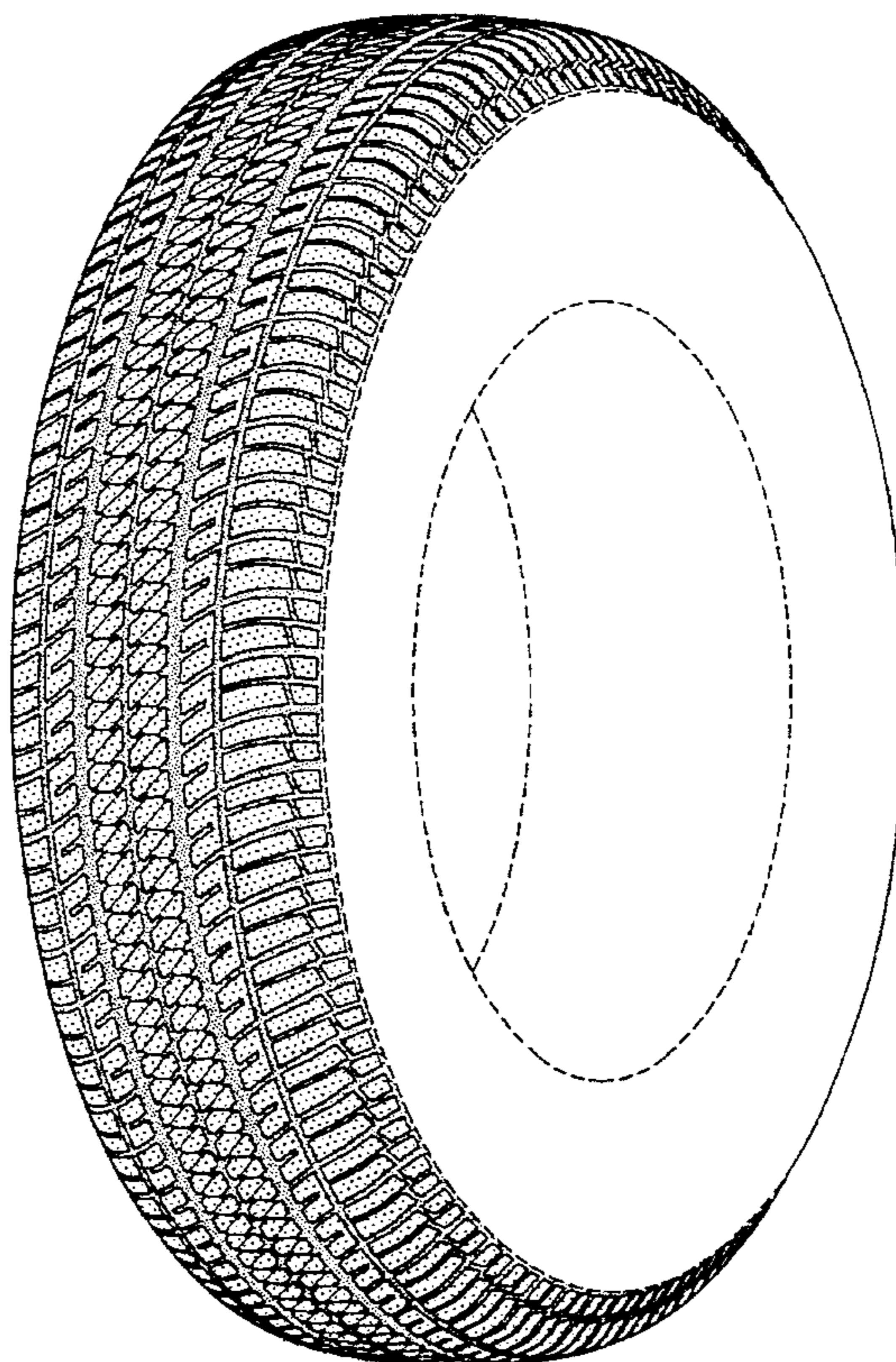
[57] **CLAIM**

The ornamental design for a tire tread, as shown and described.

DESCRIPTION

FIG. 1 is a perspective view of a tire tread, it being understood that the tread pattern repeats uniformly throughout the circumference of the tread;
FIG. 2 is a front elevational view thereof;
FIG. 3 is a side elevational view thereof the opposite side elevational view being a mirror image thereof; and,
FIG. 4 is an enlarged fragmentary front view thereof.
In the drawings, the broken lines defining the inner bead of the sidewall and the peripheral boundary between the tire tread and the sidewall are for illustrative purposes only and form no part of the claimed design.

1 Claim, 4 Drawing Sheets



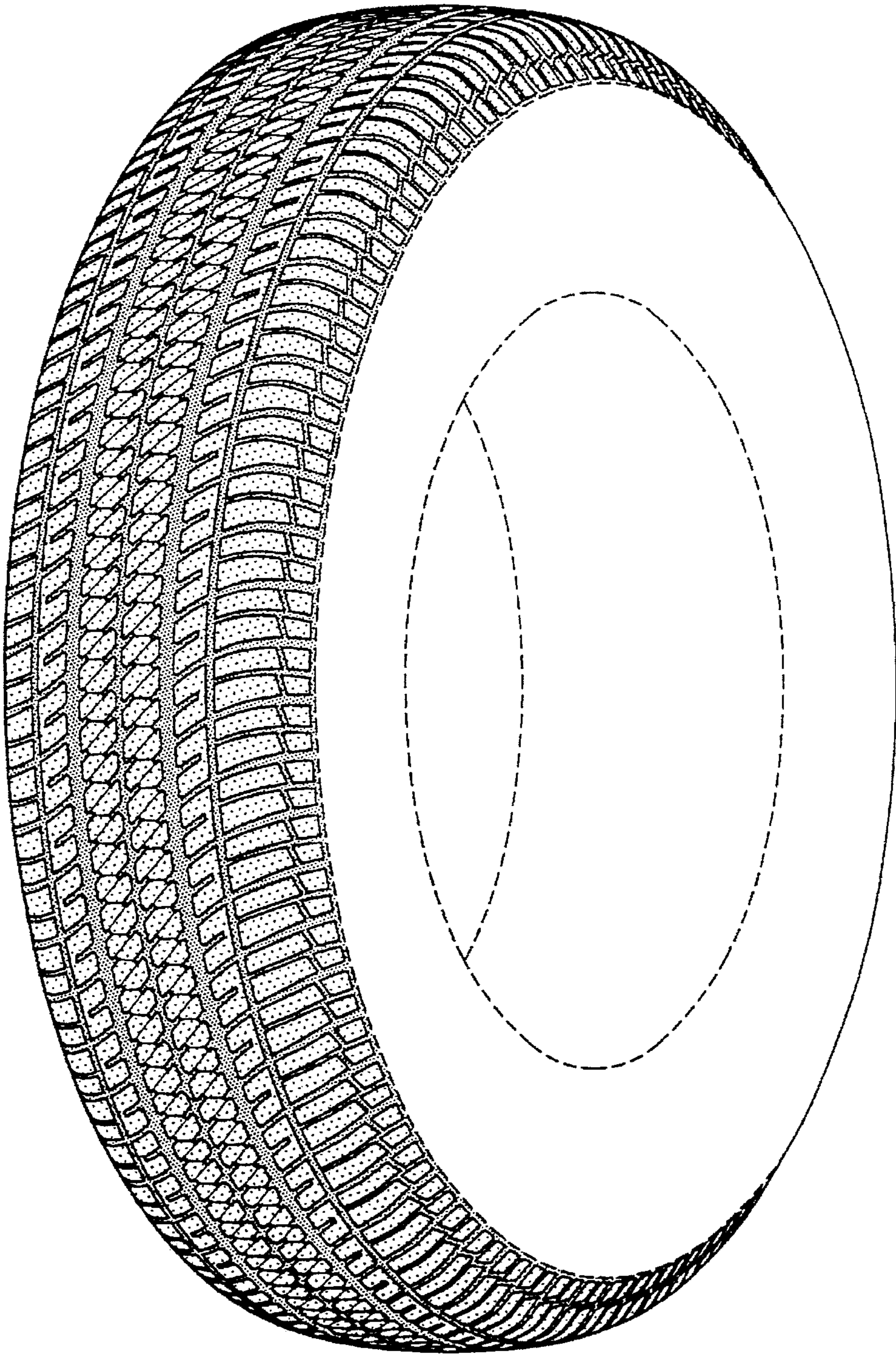


FIG-1

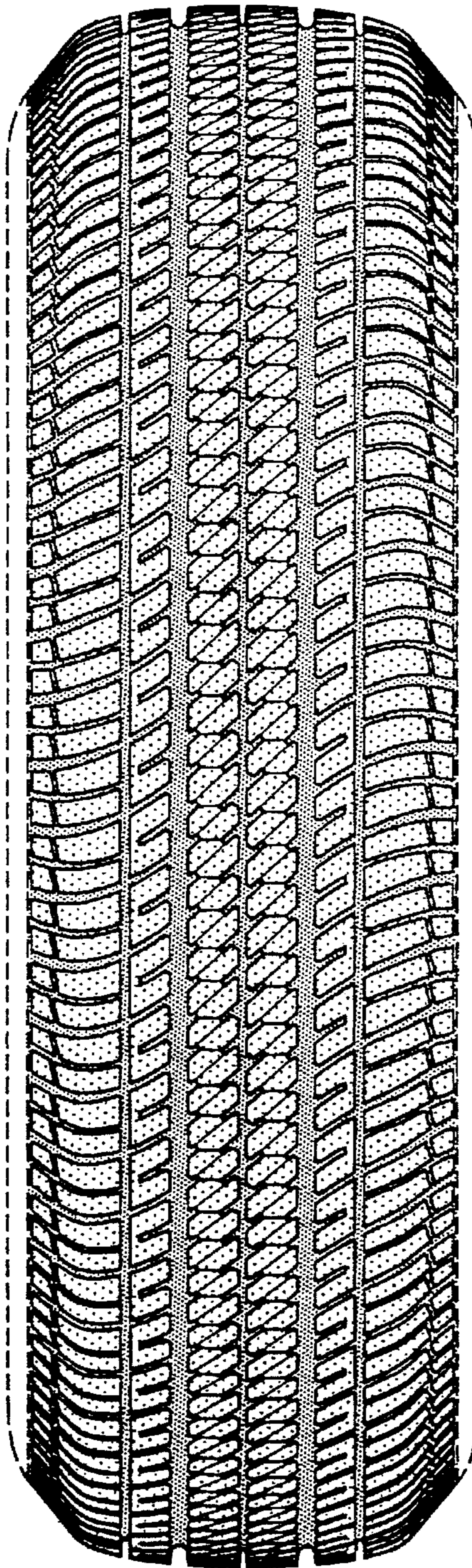


FIG-2

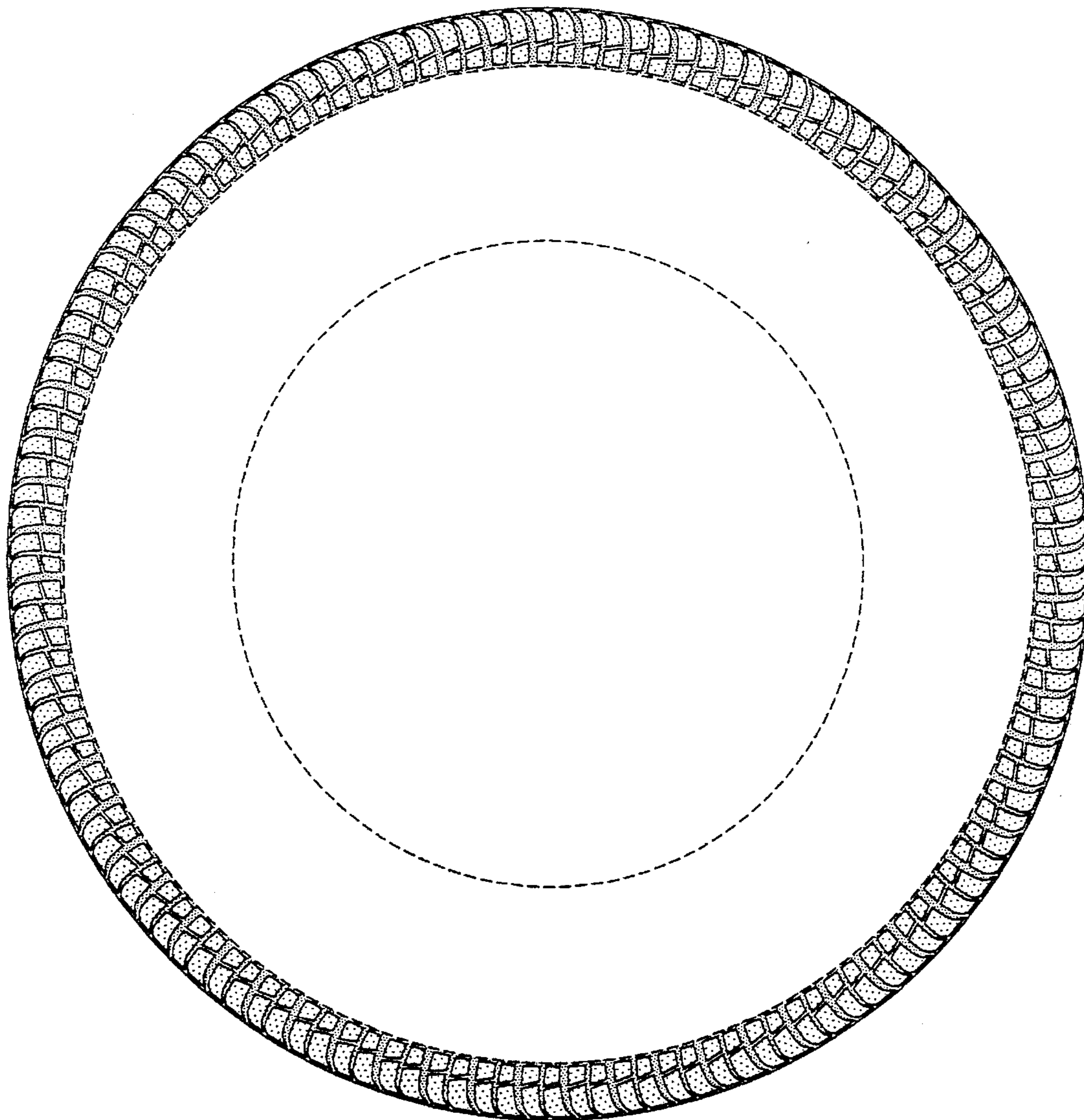


FIG-3

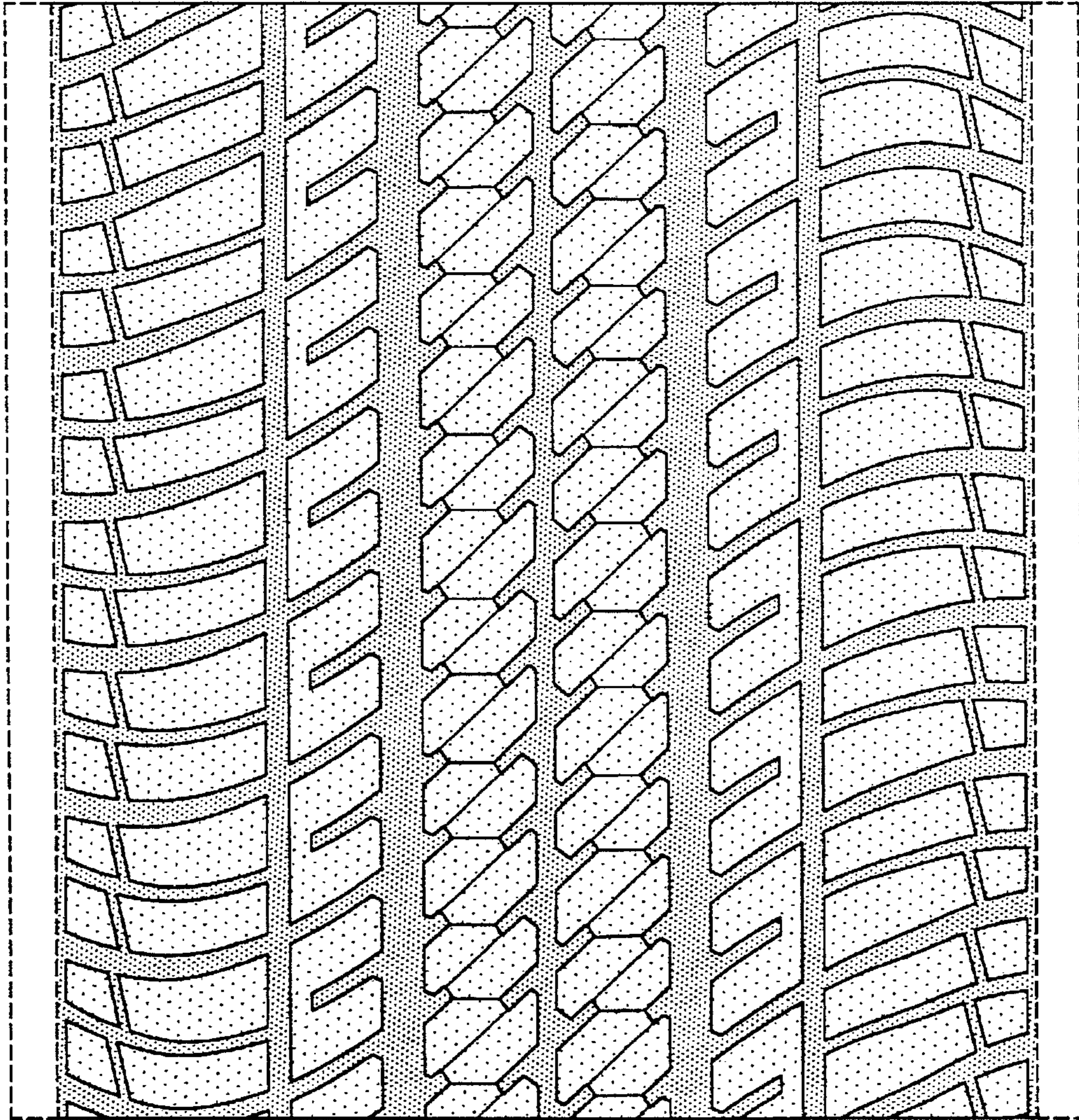


FIG-4