



US00D379440S

United States Patent [19]

[11] Patent Number: **Des. 379,440**

Denney

[45] Date of Patent: ****May 27, 1997**

[54] **BICYCLE PARKING RACK**

[76] Inventor: **Merrill R. Denney**, 19731 SW. 68th Ave., Tualatin, Washington County, Oreg. 97062

[**] Term: **14 Years**

[21] Appl. No.: **54,191**

[22] Filed: **May 8, 1996**

[51] LOC (6) Cl. **12-11**

[52] U.S. Cl. **D12/115**

[58] Field of Search D12/115; 211/17, 211/20, 22, 19

D. 341,342	11/1993	Polk	D12/115
D. 367,022	2/1996	Graber	D12/115
D. 369,131	4/1996	Smith	D12/115
D. 369,332	4/1996	Smith	D12/115
623,967	5/1899	Barnett	211/20

Primary Examiner—Melody N. Brown

[57] **CLAIM**

The ornamental design for a bicycle parking rack, as shown and described.

DESCRIPTION

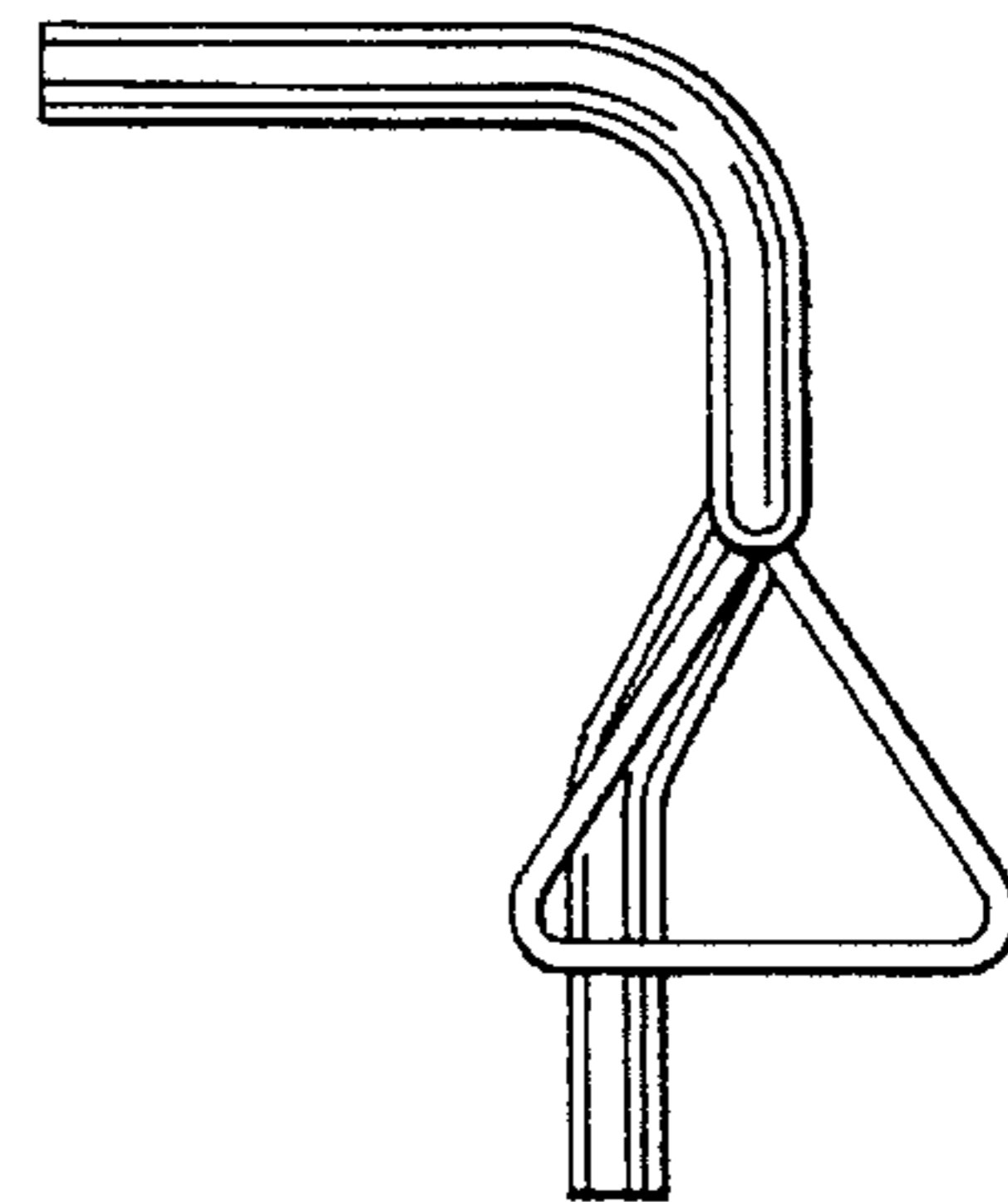
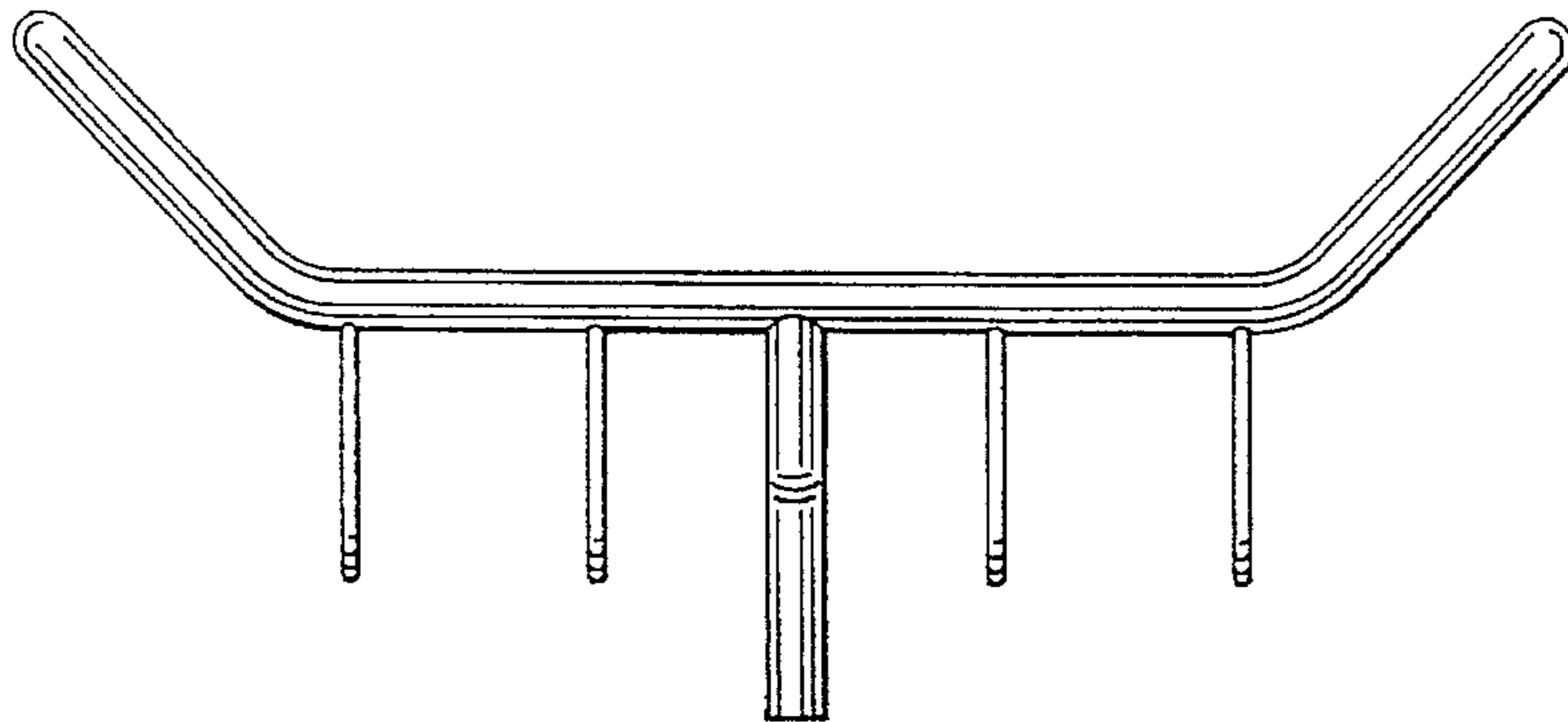
FIG. 1 is a front elevation view of my new bicycle parking rack;
FIG. 2 is a rear elevation view thereof;
FIG. 3 is a top plan view thereof;
FIG. 4 is a bottom view thereof; and,
FIG. 5 is a right side elevation view, the left side being a mirror image of the right side.

1 Claim, 1 Drawing Sheet

[56] **References Cited**

U.S. PATENT DOCUMENTS

D. 32,181	1/1900	Pease	D12/115
D. 305,010	12/1989	Panken	D12/115
D. 324,009	2/1992	Smith	D12/115



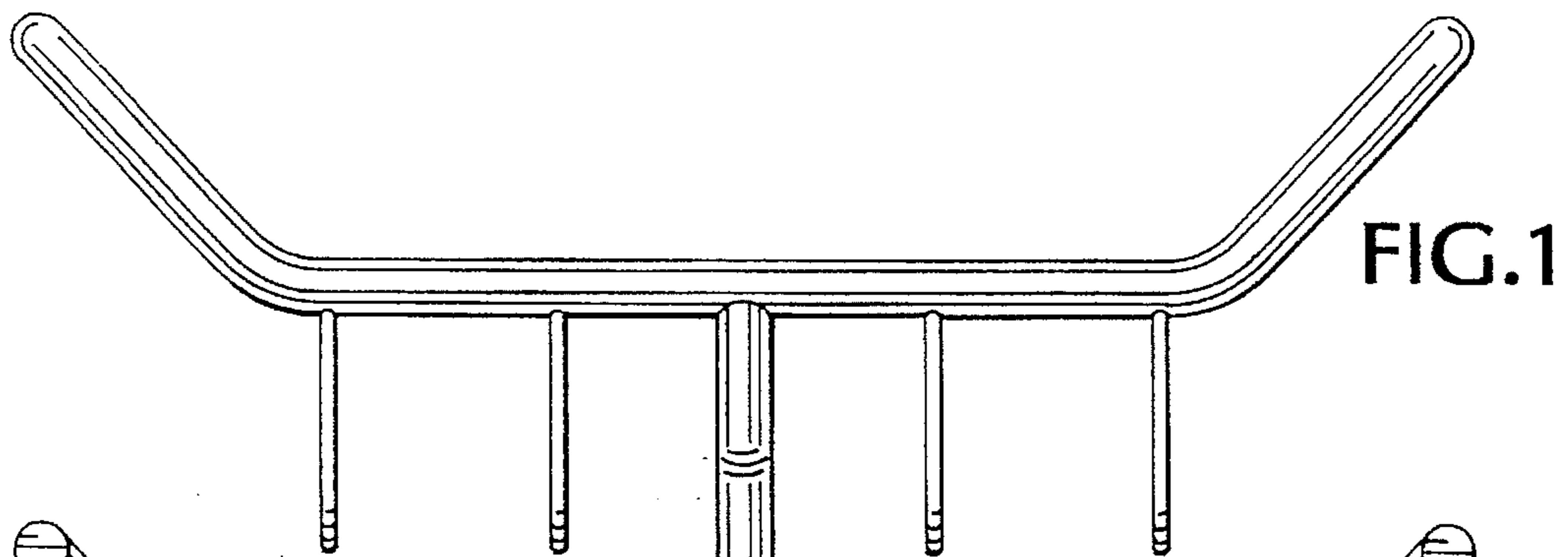


FIG. 1

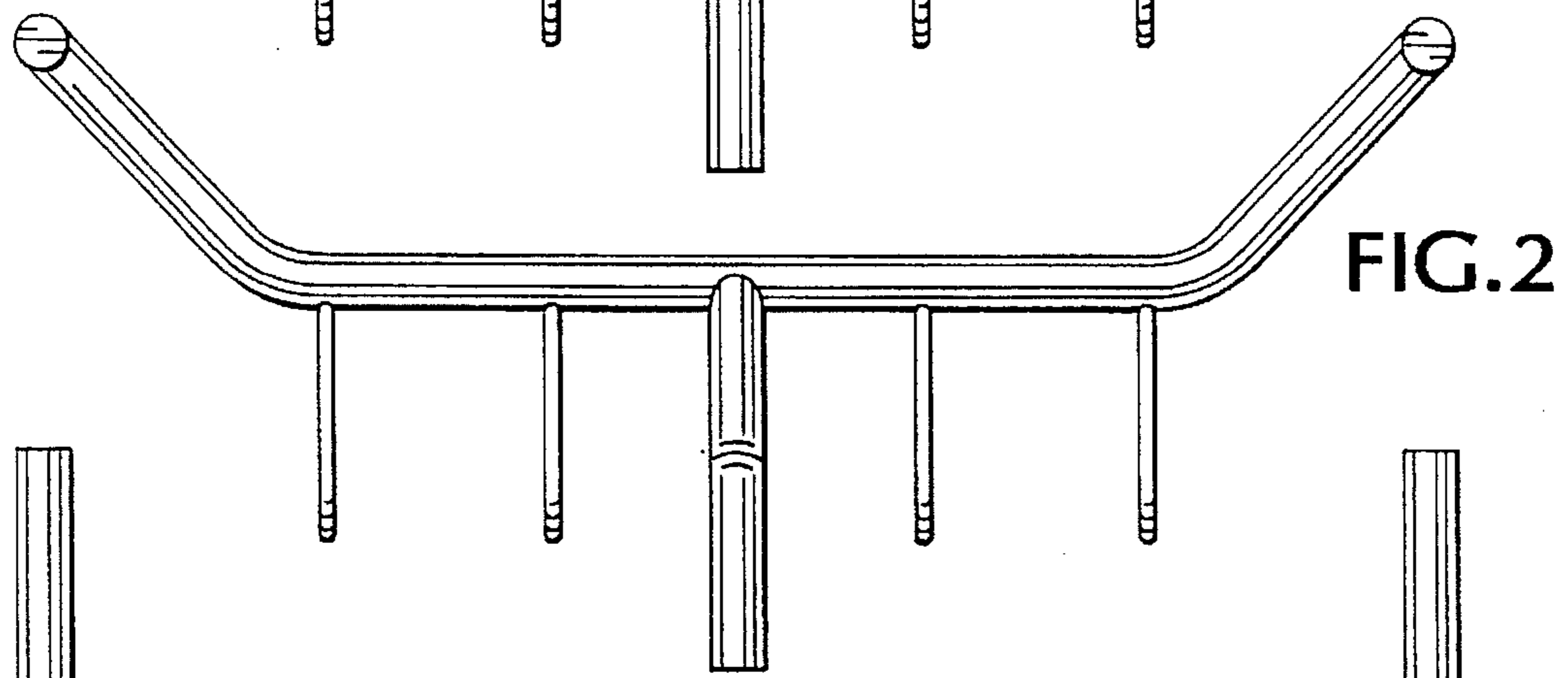


FIG. 2

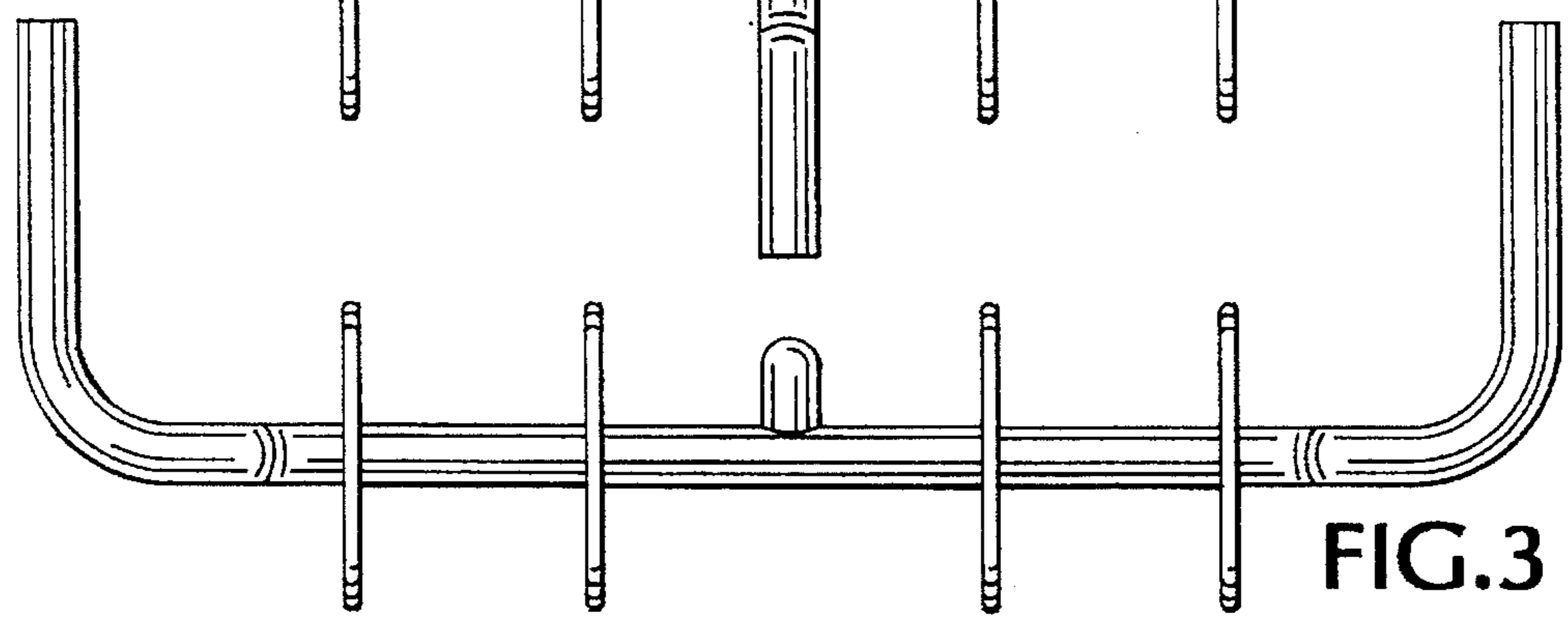


FIG. 3

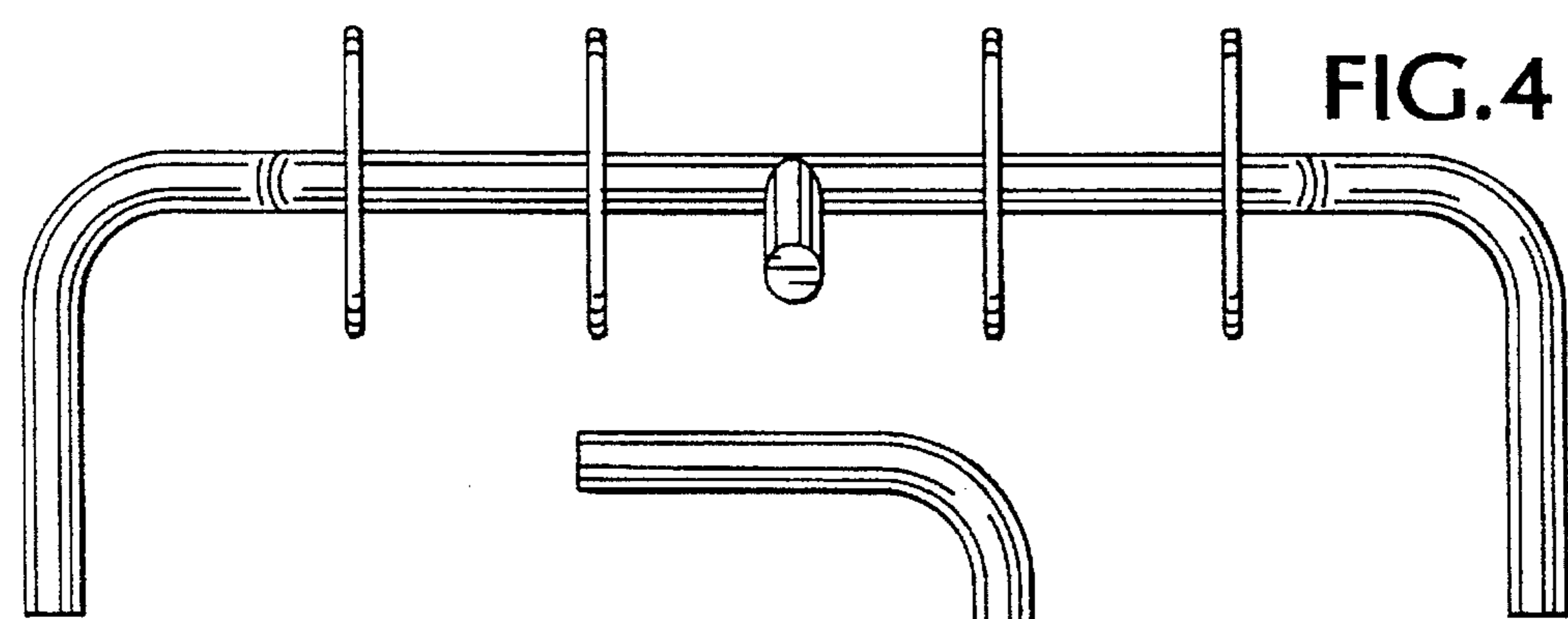


FIG. 4

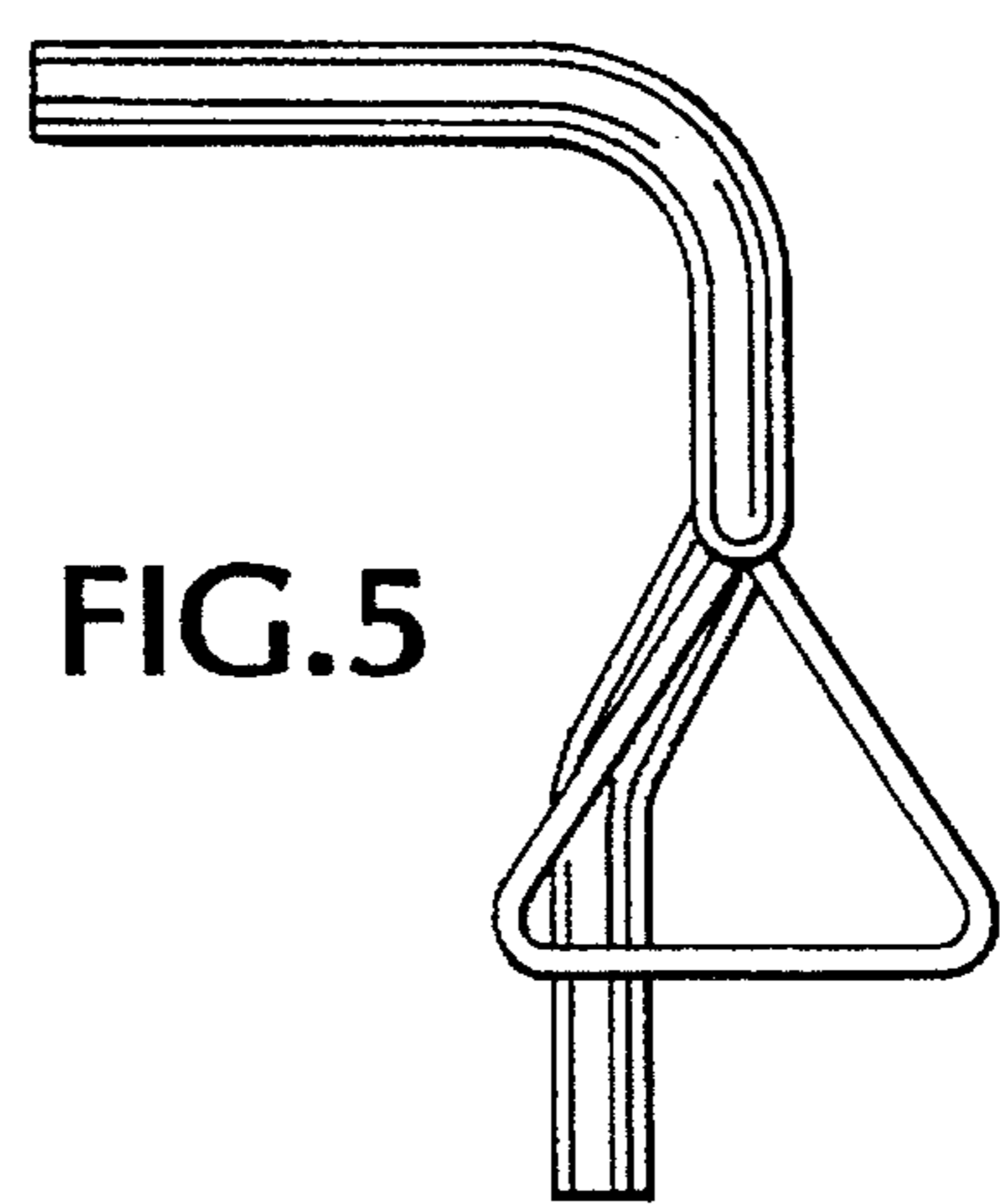


FIG. 5