



US00D379438S

United States Patent [19]

Sone

[11] Patent Number: **Des. 379,438**

[45] Date of Patent: *****May 27, 1997**

[54] **AUDIBLE SIGNAL FOR AN ALARM UNIT**

[75] Inventor: **Takahiro Sone**, Shizuoka, Japan

[73] Assignee: **Star Micronics Co., Ltd.**,
Shizuoka-ken, Japan

[*] Notice: The portion of the term of this patent subsequent to Sep. 24, 2010, has been disclaimed.

[**] Term: **14 Years**

[21] Appl. No.: **40,110**

[22] Filed: **Jun. 9, 1995**

[30] **Foreign Application Priority Data**

Dec. 21, 1994 [JP] Japan 6-39070

[51] **LOC (6) Cl.** **10-05**

[52] **U.S. Cl.** **D10/116**

[58] **Field of Search** 10/104, 106, 116,
10/121; 340/384.1, 384.3, 384.7, 388.1,
390.1, 391.1, 392.1, 392.2, 392.4

[56] **References Cited**

U.S. PATENT DOCUMENTS

D. 339,544 9/1993 Sone D10/116

Primary Examiner—Marcus A. Jackson
Attorney, Agent, or Firm—Pollock, Vande Sande & Priddy

[57] **CLAIM**

The ornamental design for an audible signal for an alarm unit, as shown and described.

DESCRIPTION

FIG. 1 is a perspective view of an audible signal for an alarm unit showing my new design;
FIG. 2 is a front elevational view thereof;
FIG. 3 is a rear elevational view thereof;
FIG. 4 is a top plan view thereof;
FIG. 5 is a bottom plan view thereof;
FIG. 6 is a left side elevational view thereof;
FIG. 7 is a right side elevational view thereof; and,
FIG. 8 is a cross-sectional view thereof taken on line 8—8 of FIG. 2, an internal mechanism of which is not shown.

1 Claim, 8 Drawing Sheets

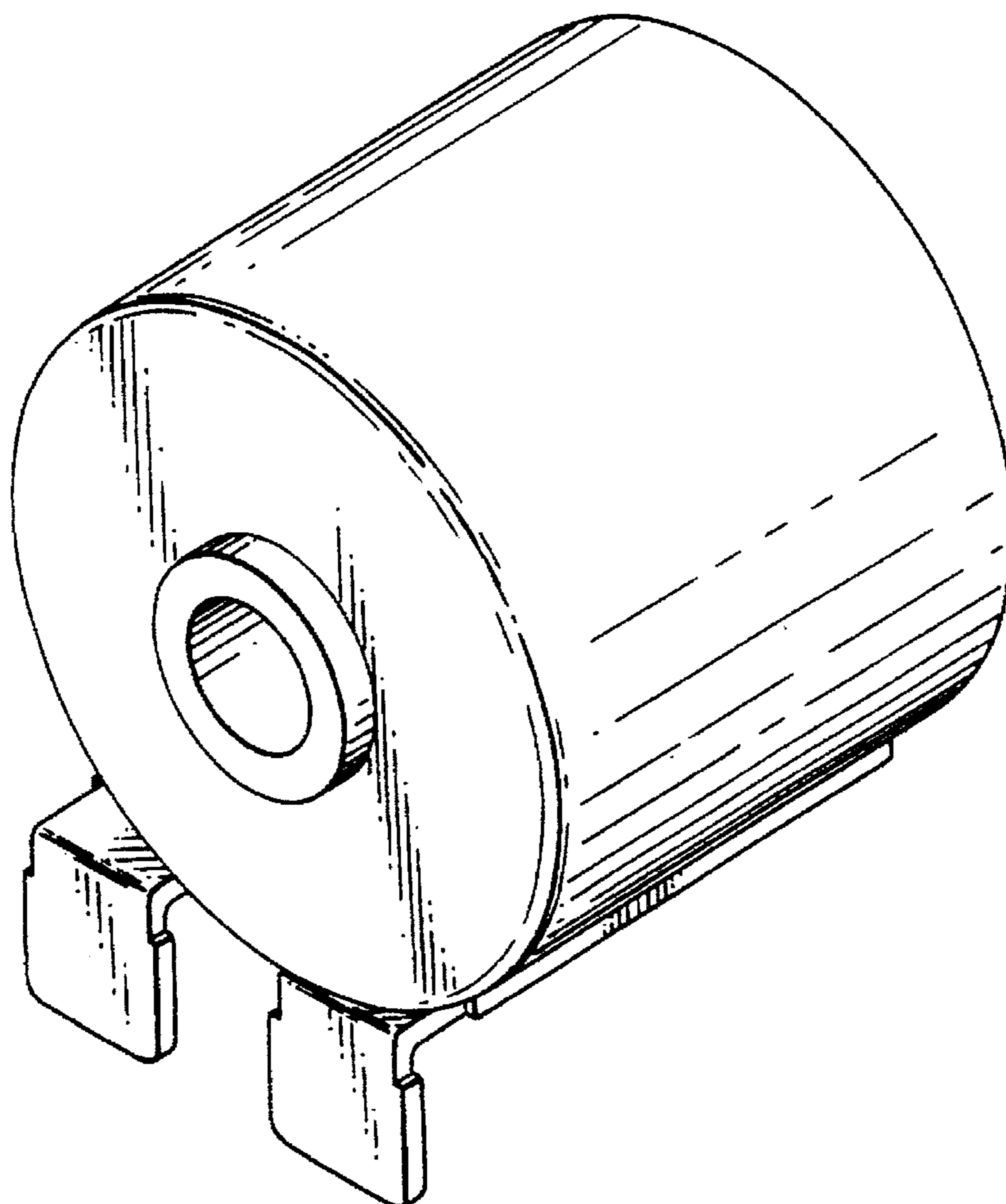


FIG. 1

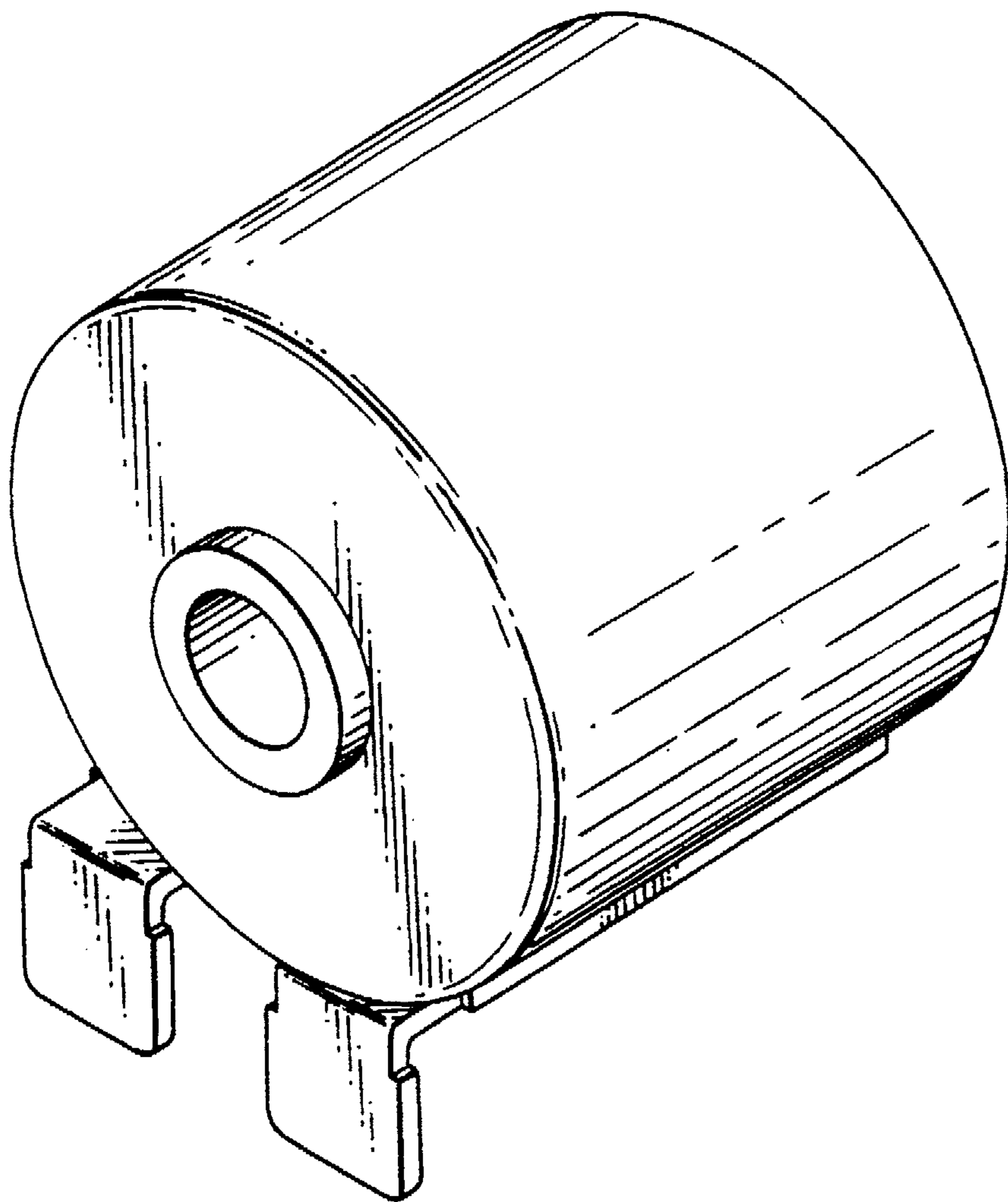


FIG. 2

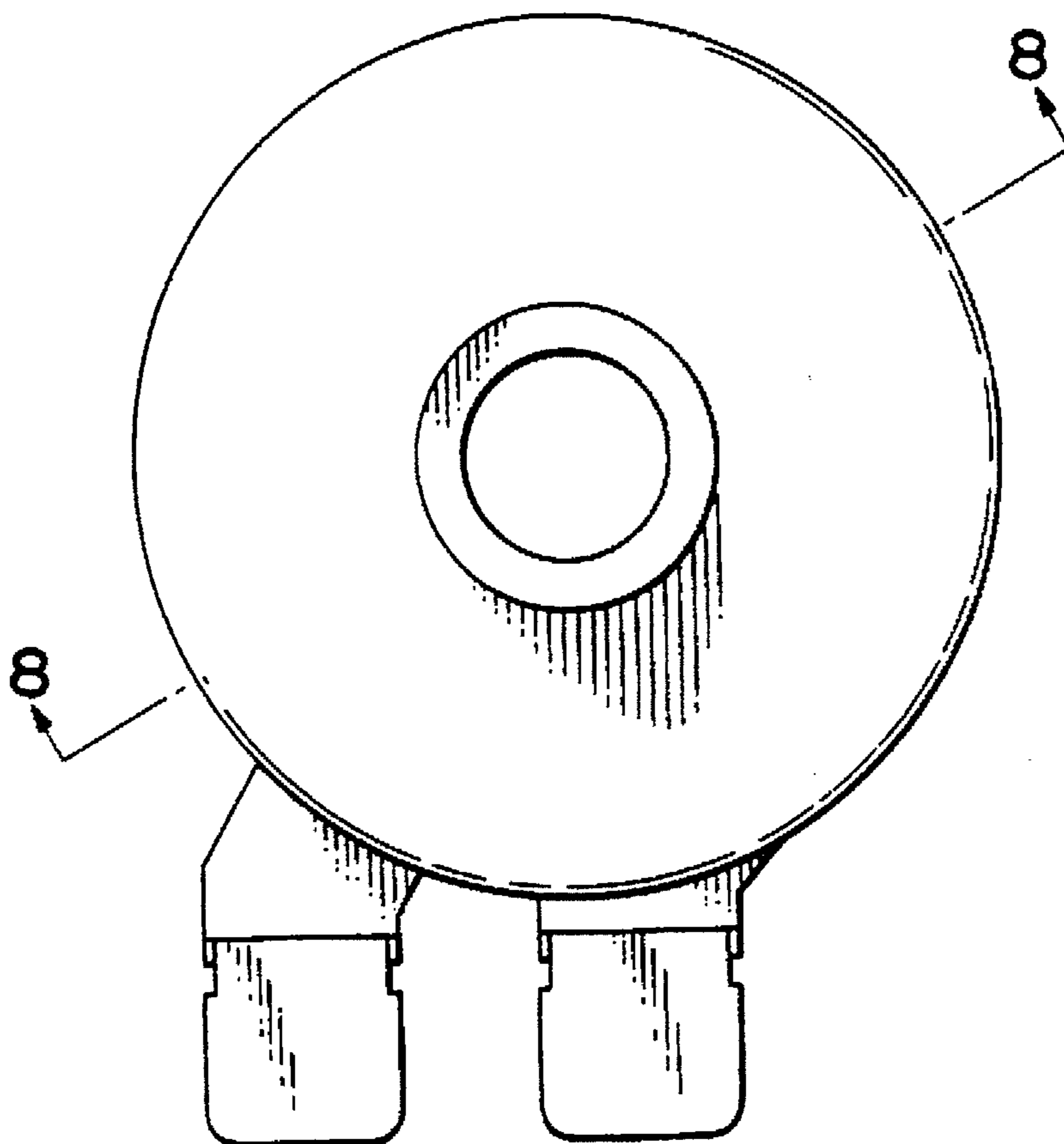


FIG. 3

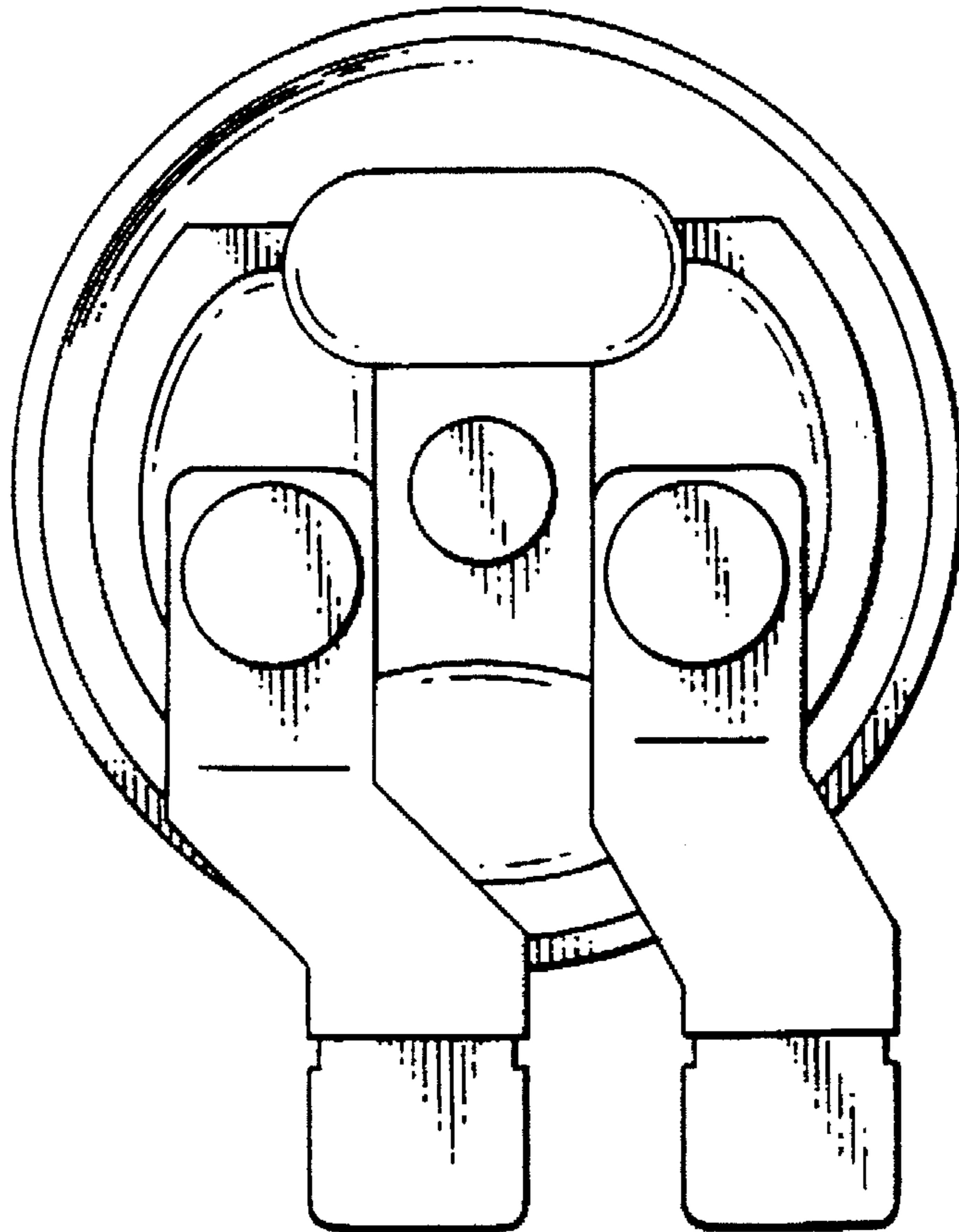


FIG. 4

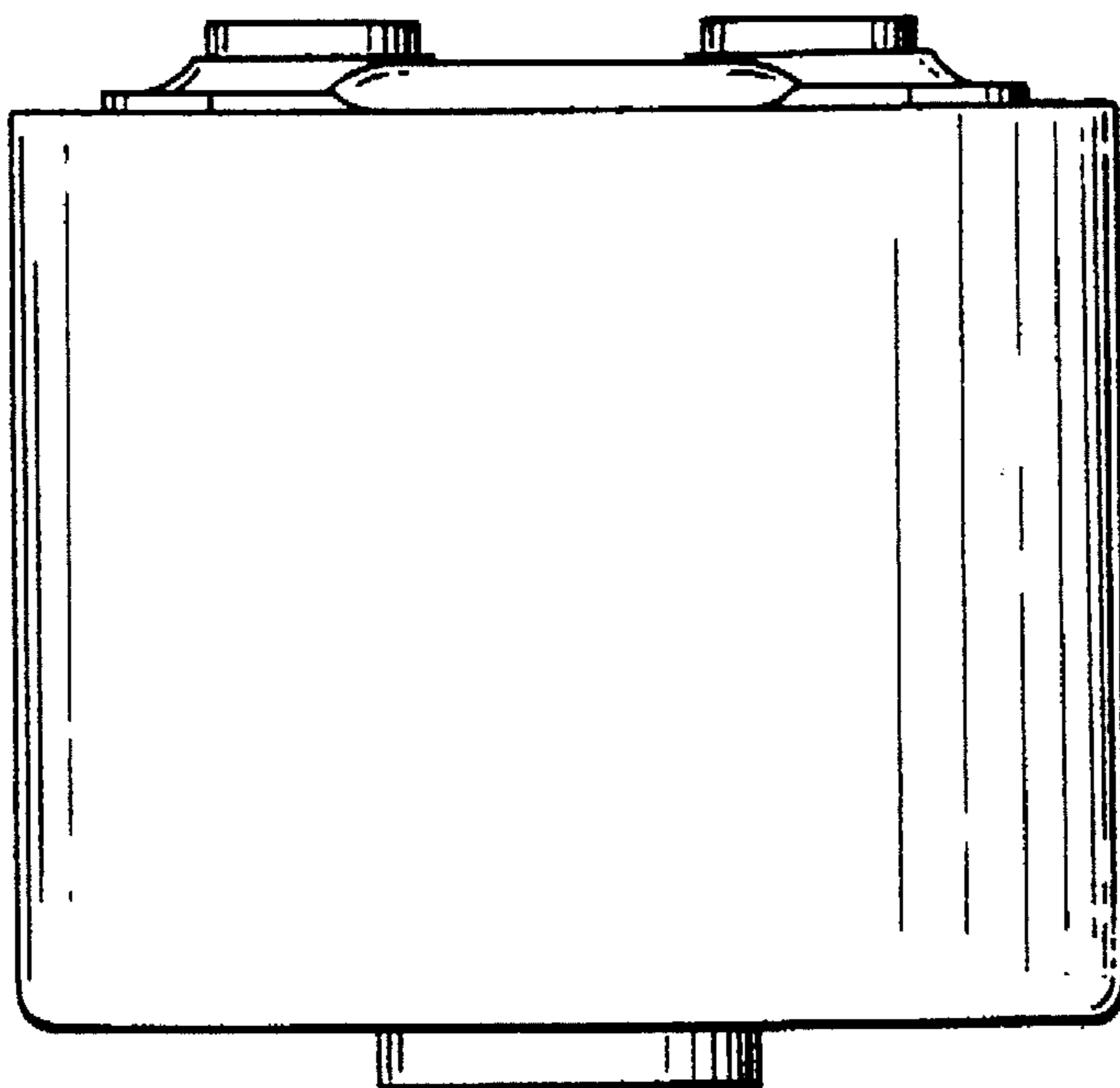


FIG. 5

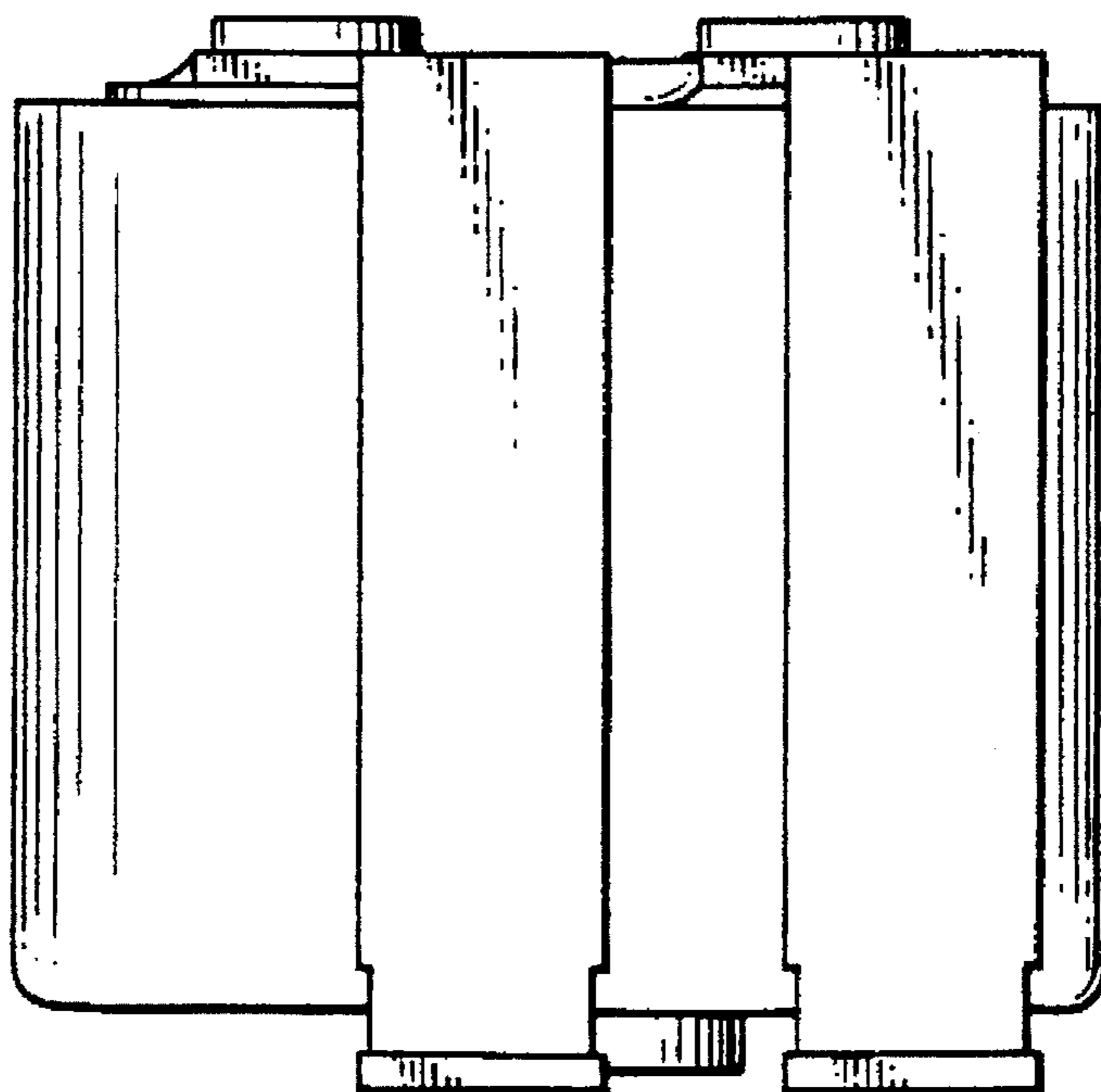


FIG. 6

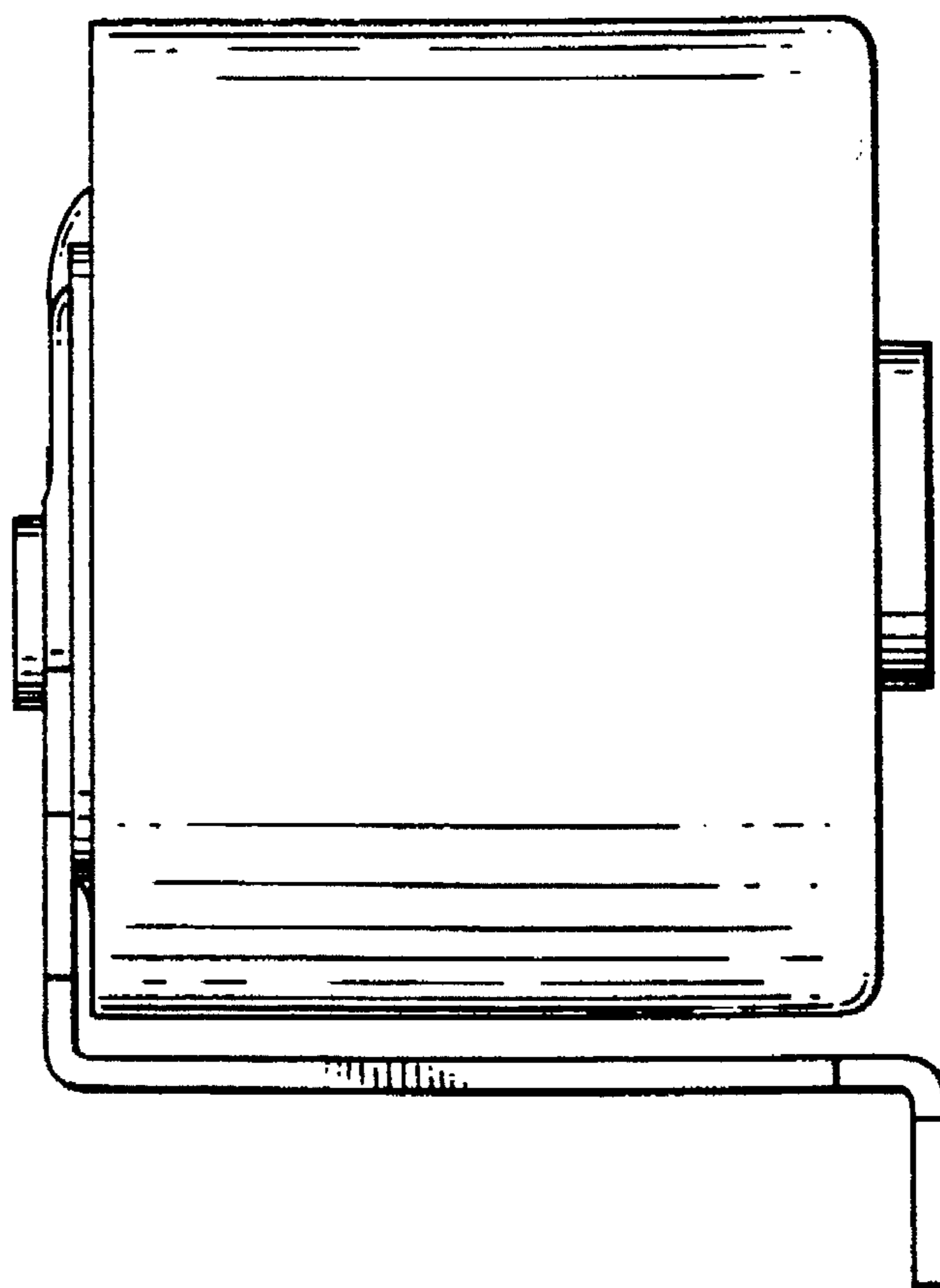


FIG. 7

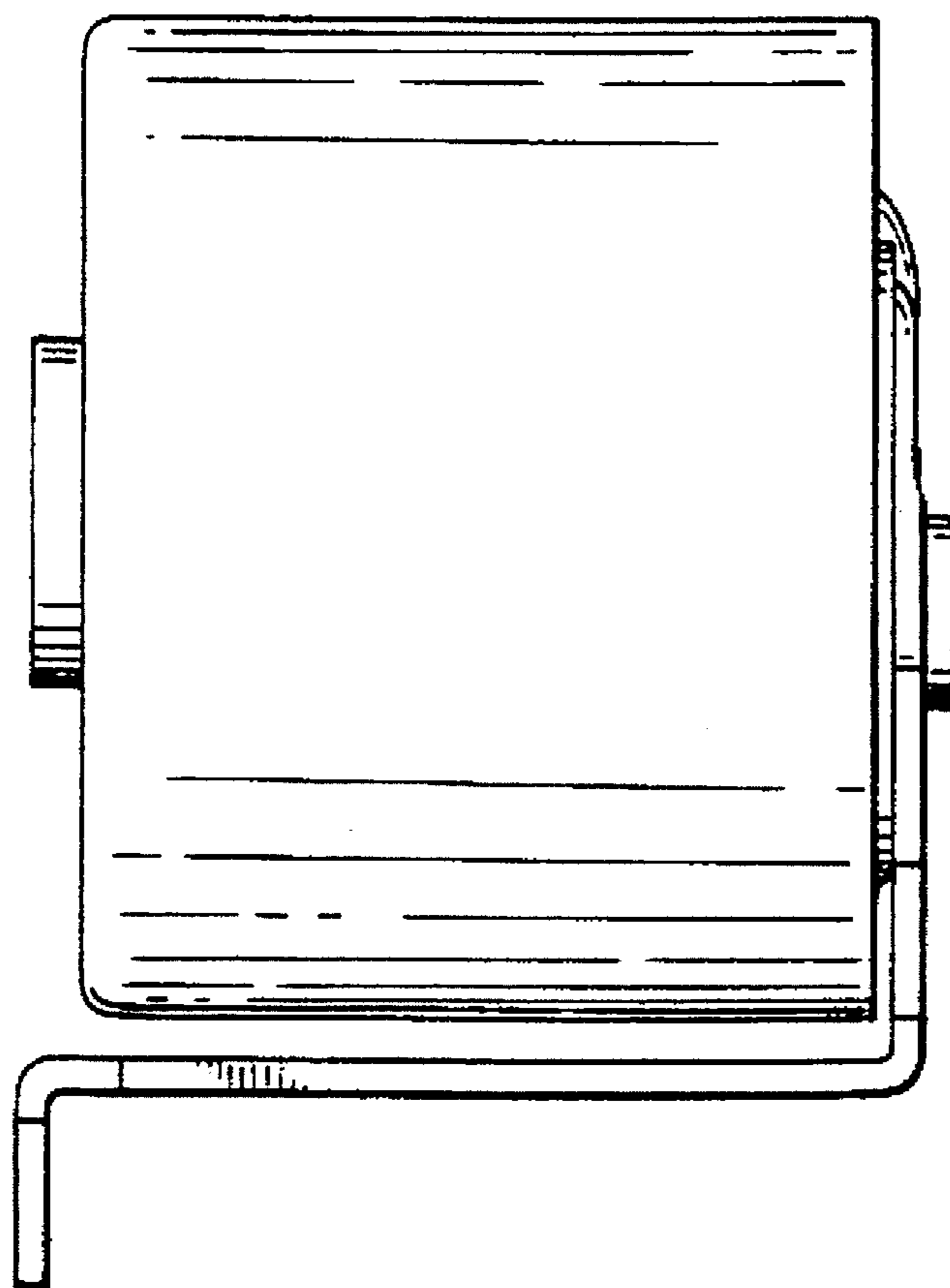


FIG. 8

