



US00D379435S

# United States Patent [19]

[11] Patent Number: **Des. 379,435**

Hsu

[45] Date of Patent: **\*\*May 27, 1997**

[54] **MULTI-FUNCTION STATIONERY STAND AND CLOCK**

D. 283,630 4/1986 Yuen ..... D10/2 X  
D. 298,953 12/1988 Roberts ..... D19/78  
D. 331,423 12/1992 Brüßing ..... D19/90 X

[75] Inventor: **Chin-Biau Hsu**, Taichung Hsien, Taiwan

*Primary Examiner*—Nelson C. Holtje  
*Attorney, Agent, or Firm*—Pro-Techtor International

[73] Assignee: **E Yeou Industrial Co., Ltd.**, Taichung Hsien, Taiwan

[57] **CLAIM**

[\*\*] Term: **14 Years**

The ornamental design for a multi-function stationery stand and clock, as shown.

[21] Appl. No.: **38,788**

**DESCRIPTION**

[22] Filed: **Apr. 6, 1995**

FIG. 1 is a perspective of a multi function stationery stand and clock showing my new design;  
FIG. 2 is a front elevational view thereof;  
FIG. 3 is a rear elevational view thereof;  
FIG. 4 is a right elevational view thereof;  
FIG. 5 is a left elevational view thereof;  
FIG. 6 is a top plan view thereof; and,  
FIG. 7 is a bottom plan view thereof.

[51] LOC (6) Cl. .... **10-01**

[52] U.S. Cl. .... **D10/2; D19/78; D19/85**

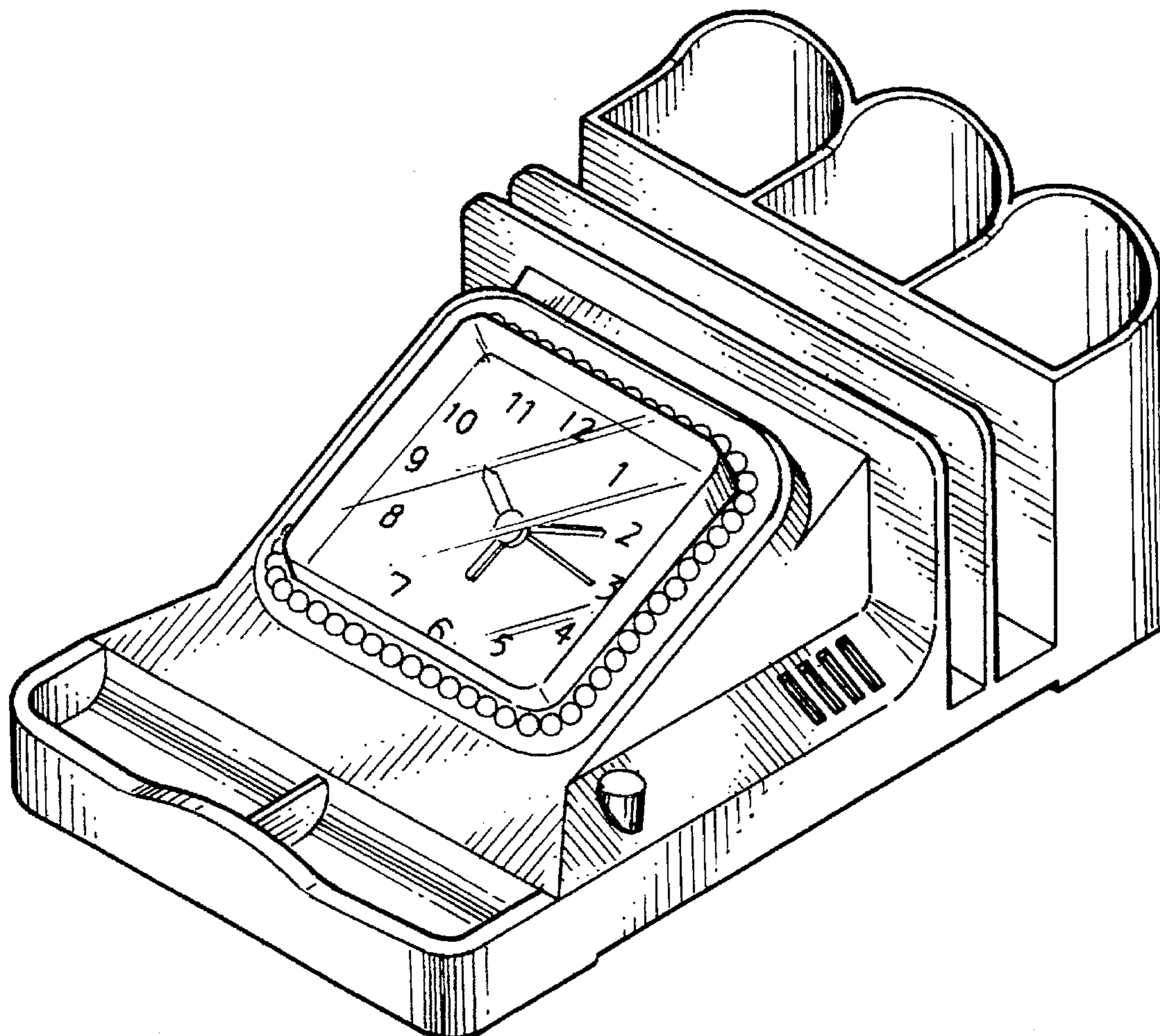
[58] Field of Search ..... **D10/1-40, 122-132; 368/276-277, 285, 316-317; D19/78, 90**

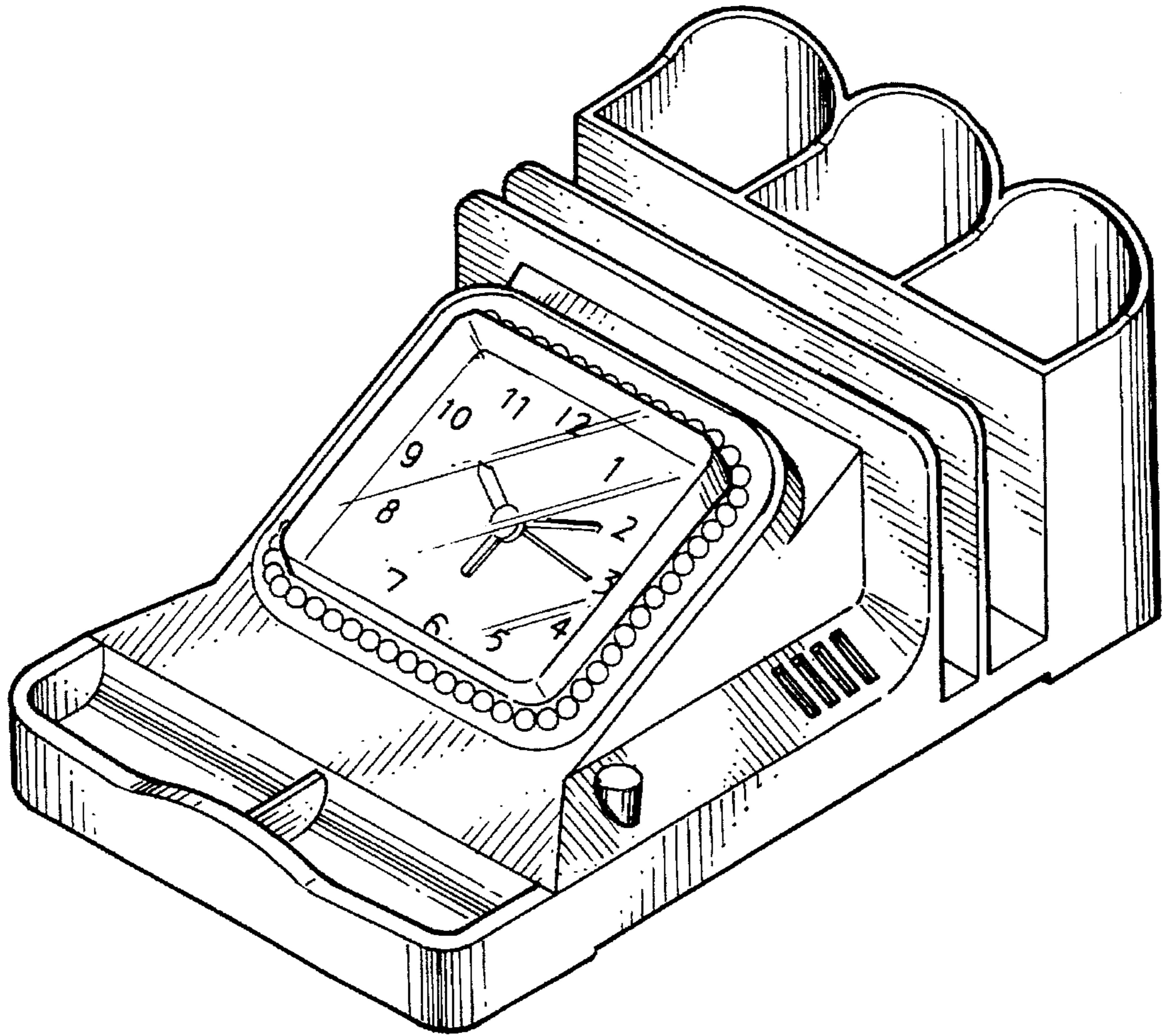
[56] **References Cited**

**U.S. PATENT DOCUMENTS**

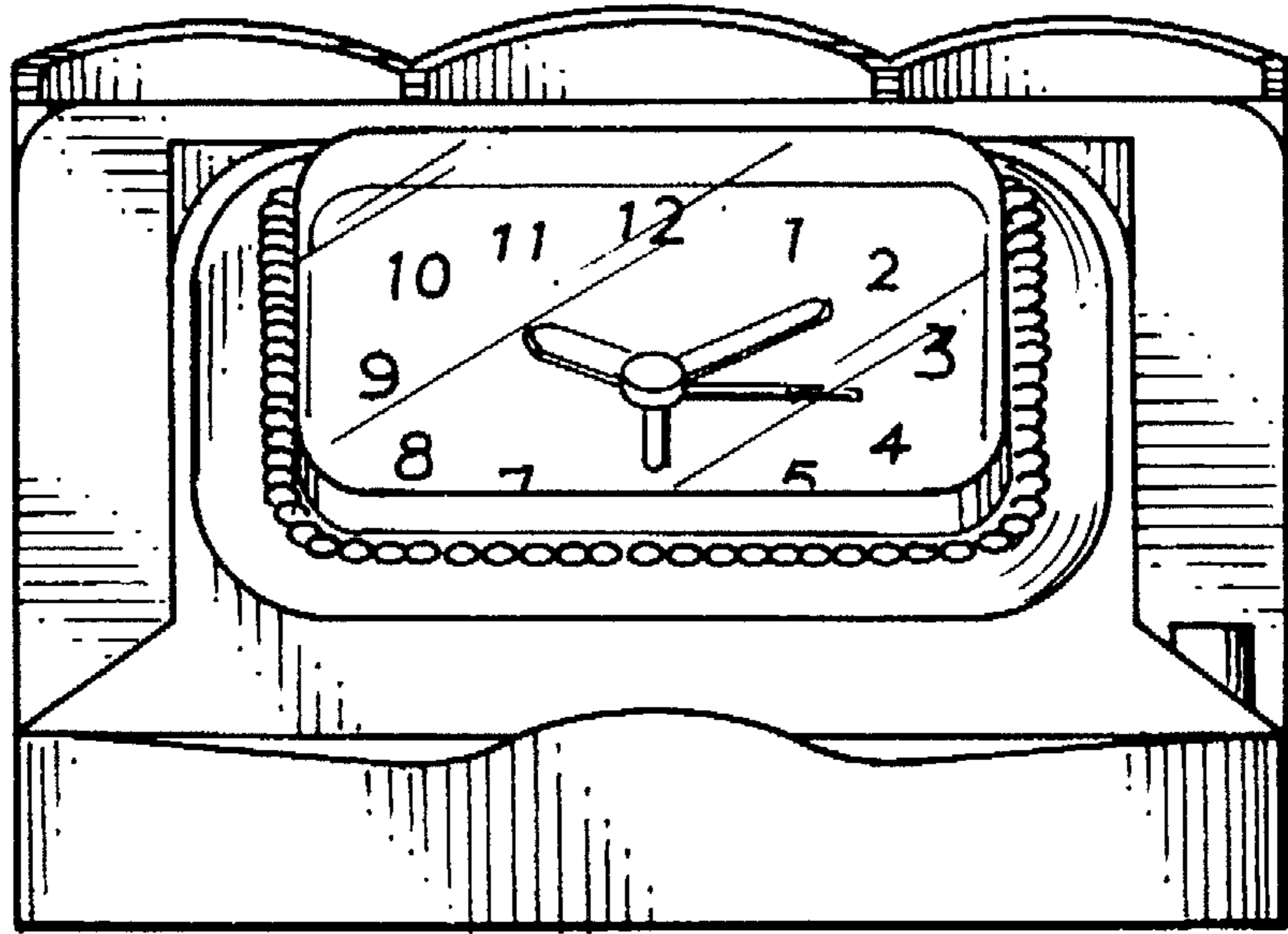
D. 235,146 5/1975 Langieri ..... D10/15 X

**1 Claim, 4 Drawing Sheets**

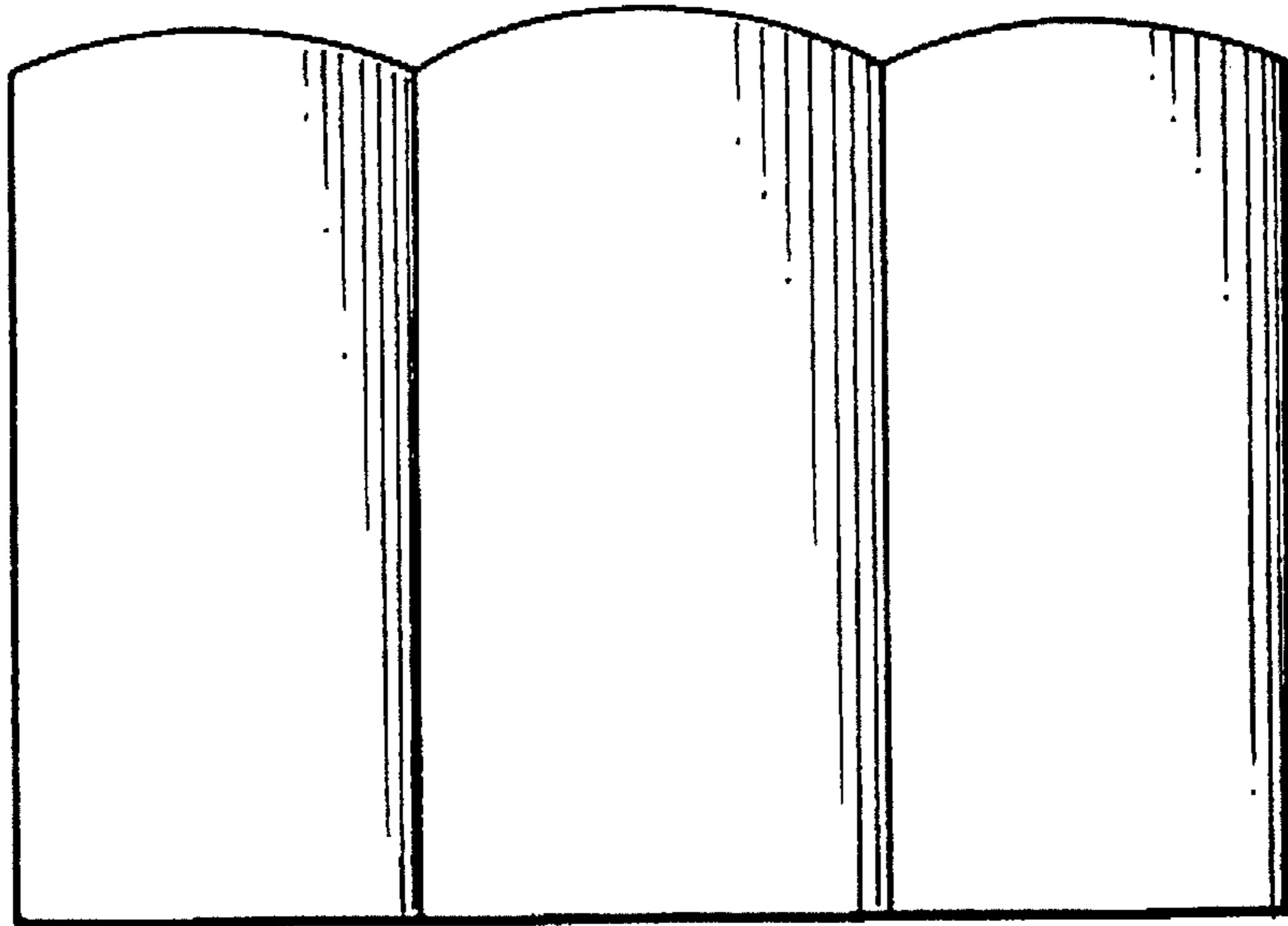




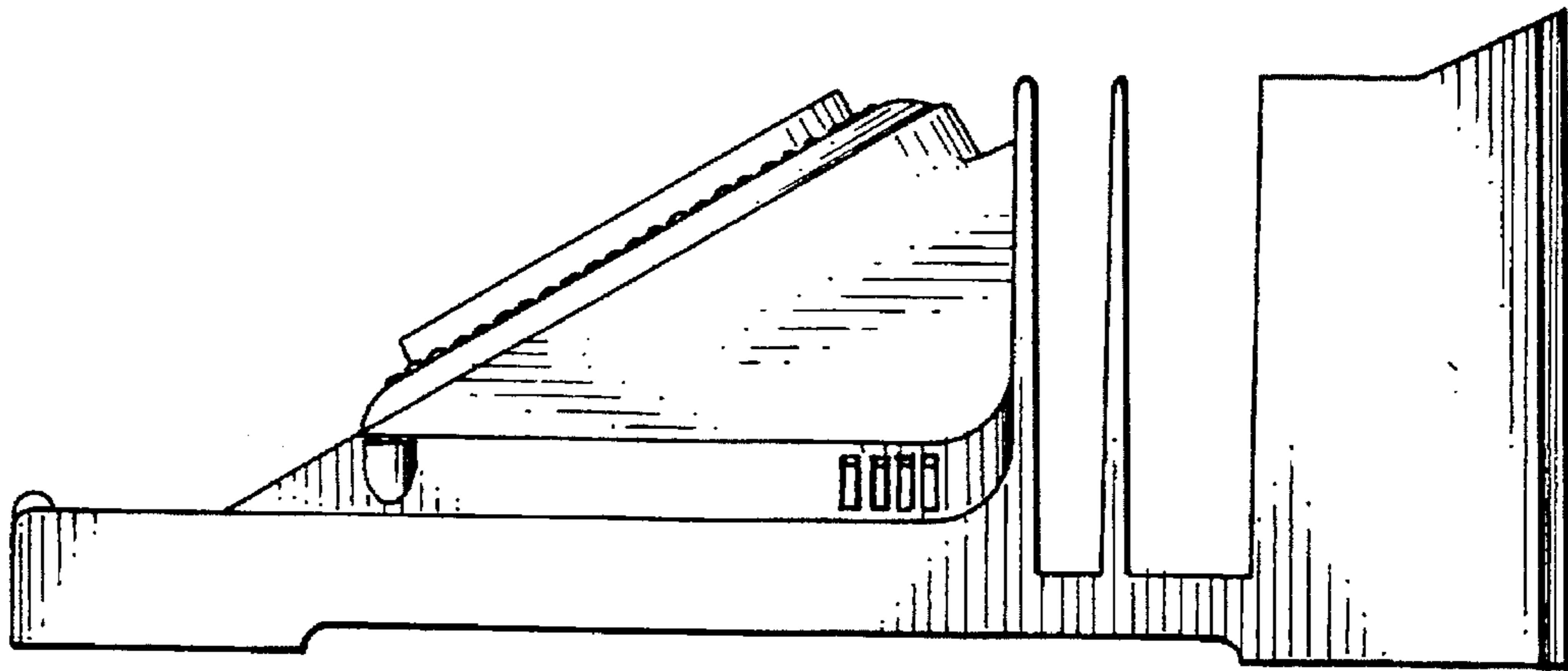
*Fig. 1*



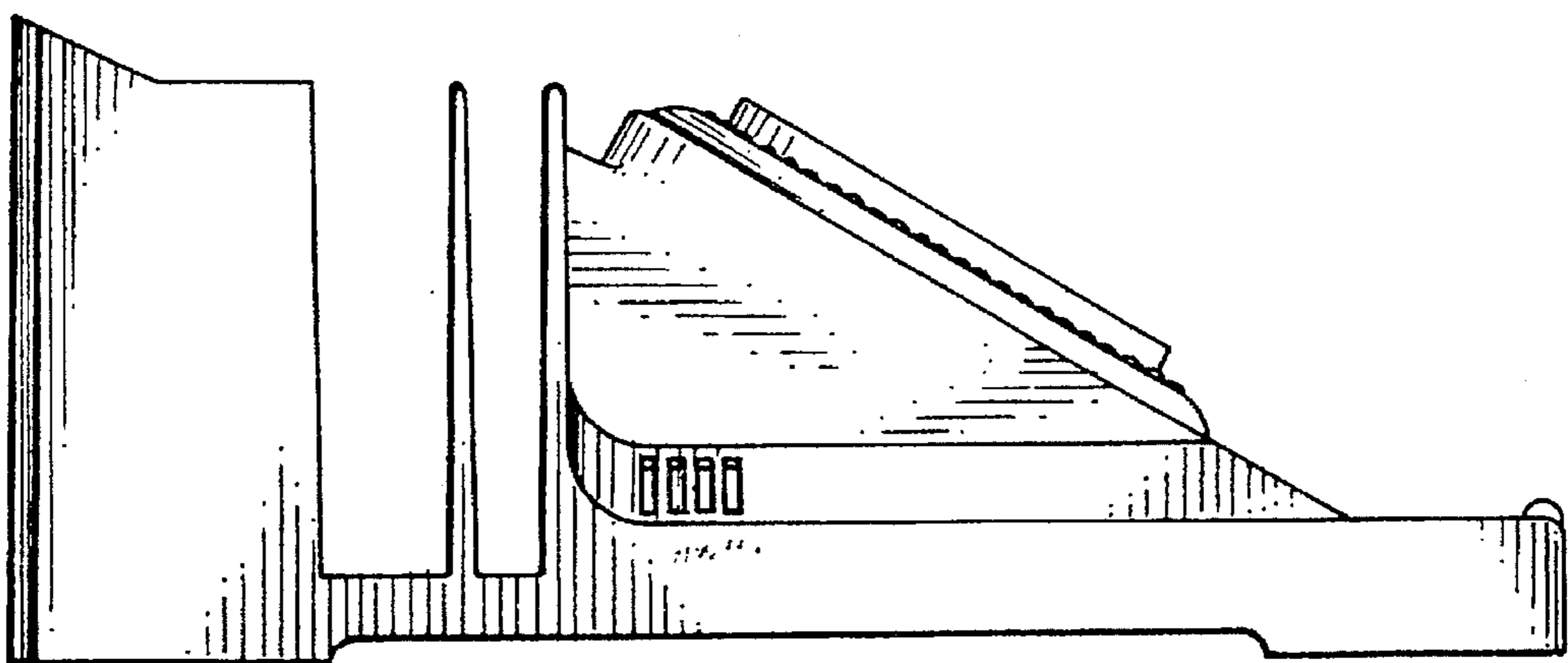
*Fig. 2*



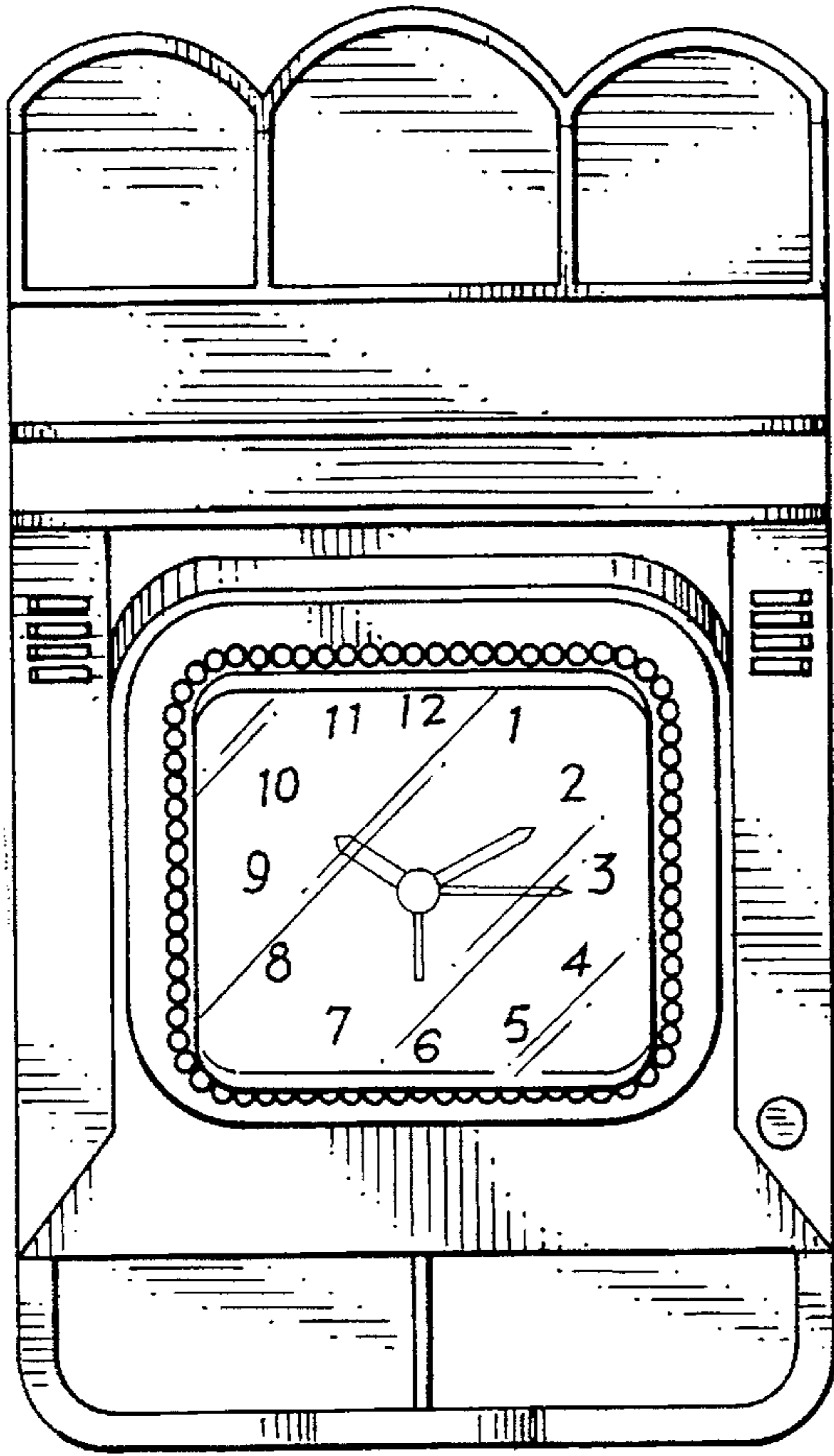
*Fig. 3*



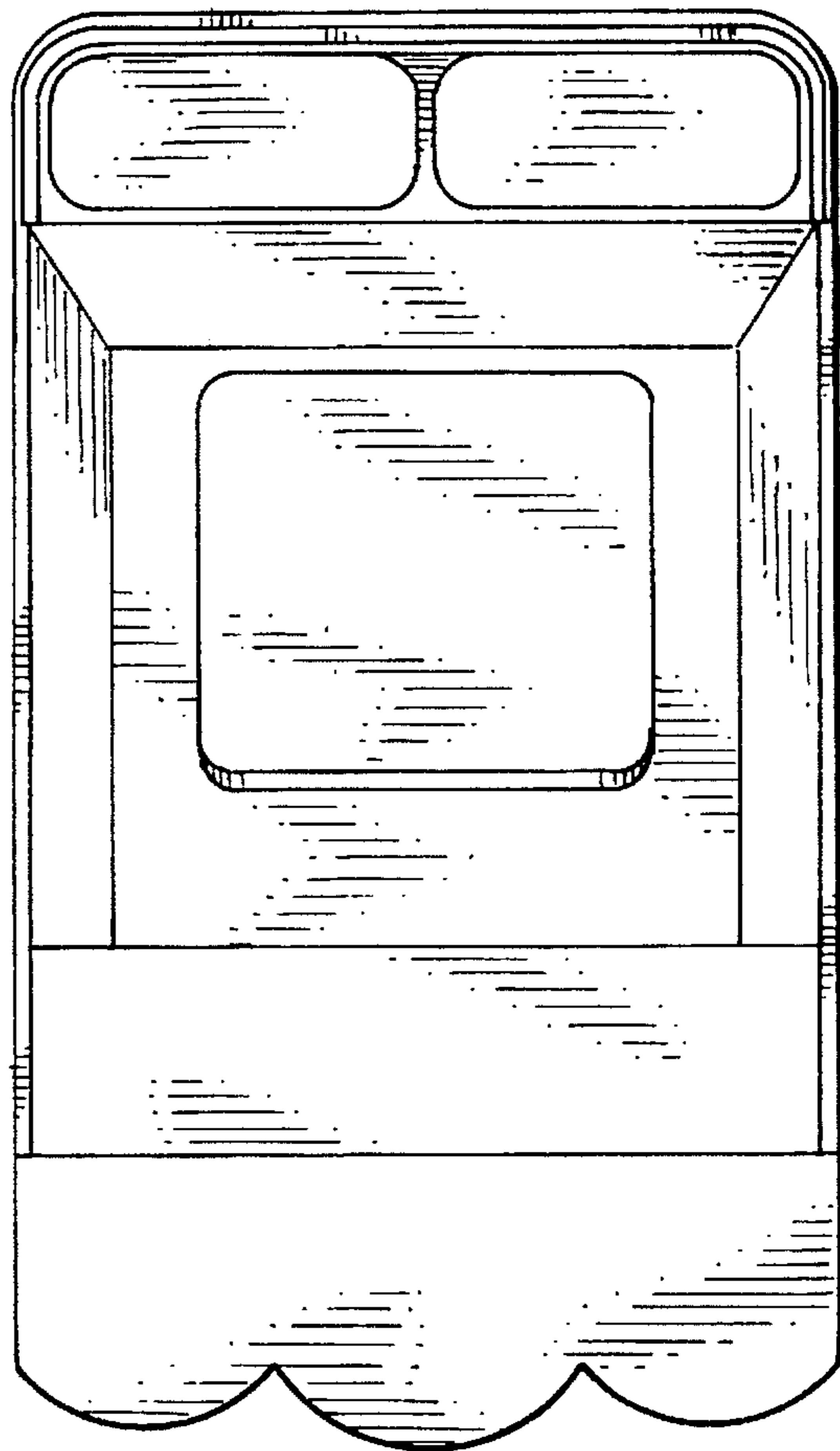
*Fig. 4*



*Fig. 5*



*Fig. 6*



*Fig. 7*