



US00D379427S

United States Patent [19]

Laga

[11] Patent Number: **Des. 379,427**

[45] Date of Patent: ****May 27, 1997**

[54] **BETWEEN THE STUDS SPRING GRIPS**

3,946,877 3/1976 Galicia 211/89 X
5,398,820 3/1995 Kiss 211/89 X

[75] Inventor: **Kenneth Laga**, Franklin, Mass.

Primary Examiner—Holly H. Baynham

[73] Assignee: **American Manufacturing Company, Inc.**, Allentown, Pa.

Attorney, Agent, or Firm—Samuels, Gauthier, Stevens & Reppert

[**] Term: **14 Years**

[57] **CLAIM**

[21] Appl. No.: **51,223**

The ornamental design for between the studs spring grips, as shown and described.

[22] Filed: **Mar. 6, 1996**

DESCRIPTION

[51] LOC (6) Cl. **08-05**

FIG. 1 is a perspective view of a between the studs spring grips;

[52] U.S. Cl. **D8/373**

[58] Field of Search D8/373, 395; D6/572, D6/553, 571; 211/89, 113; 248/68.1, 74.1, 74.4

FIG. 2 is a top plan view, the broken lines showing a pair of studs are for illustrative purposes only and form no part of the claimed invention;

FIG. 3 is a front view;

FIG. 4 is a back view;

FIG. 5 is a left side view; and,

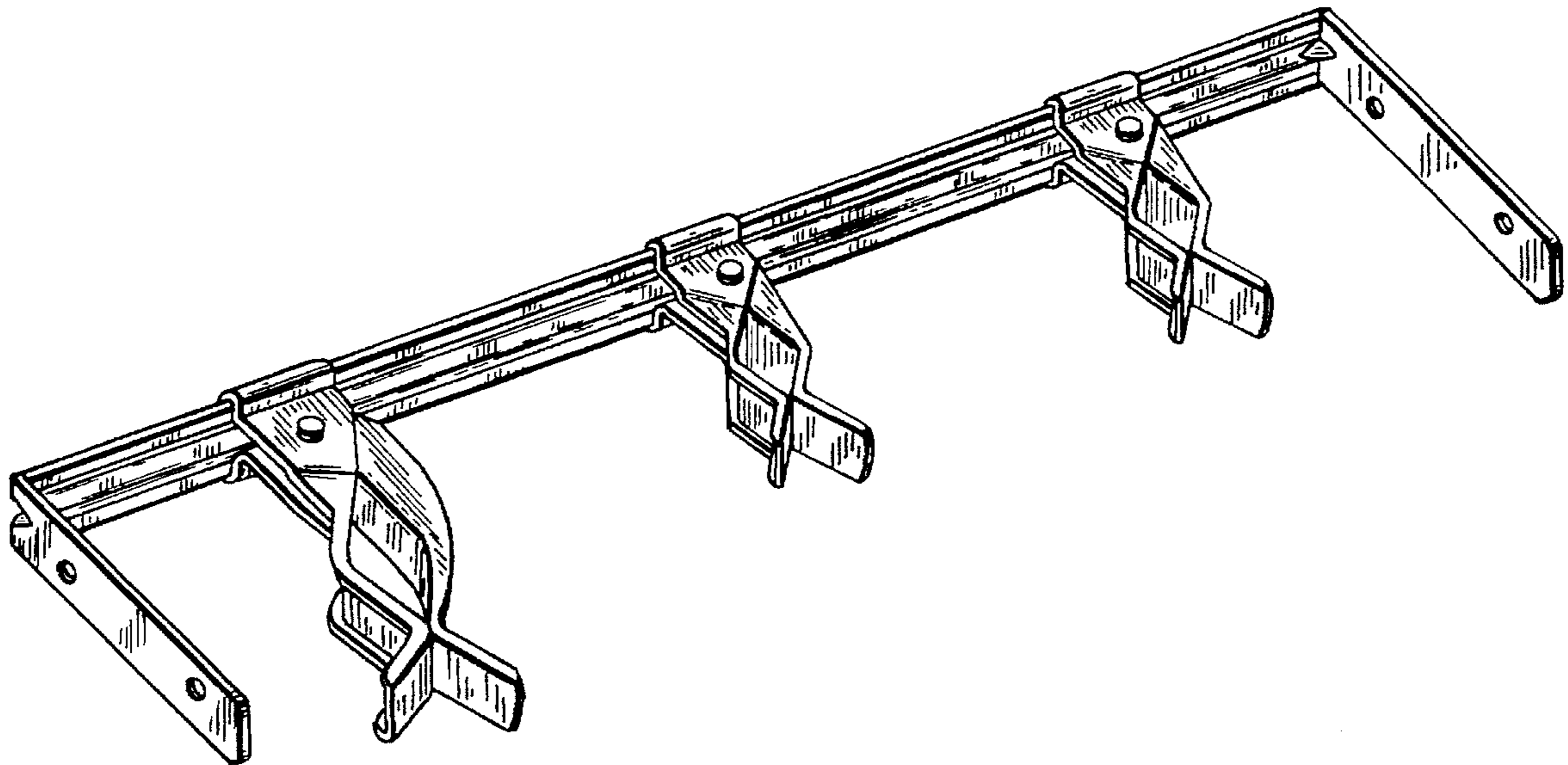
FIG. 6 is a right side view.

[56] **References Cited**

U.S. PATENT DOCUMENTS

D. 315,447 3/1991 McMahan D8/395 X
2,708,523 5/1955 Rozanski 211/89

1 Claim, 2 Drawing Sheets



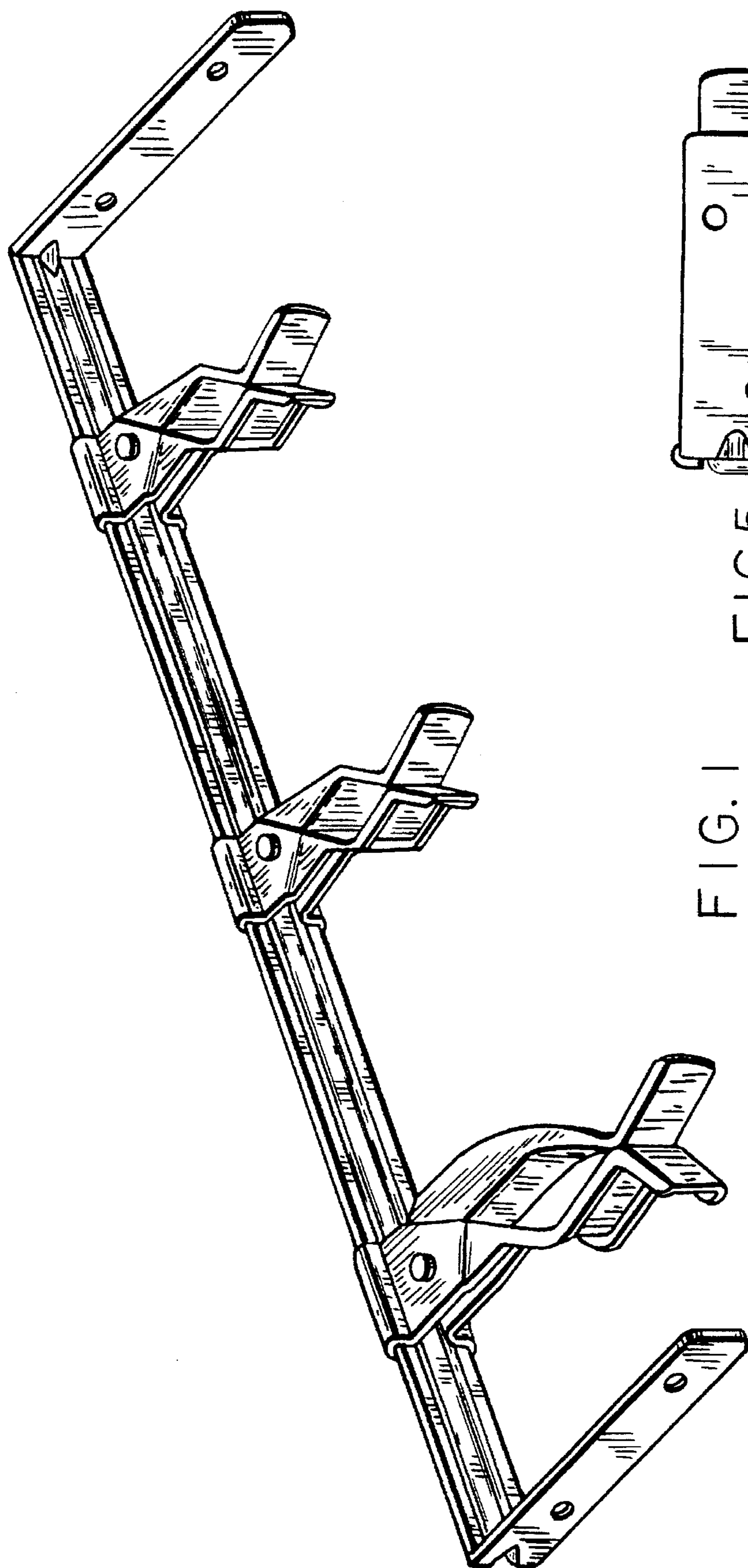


FIG. 1

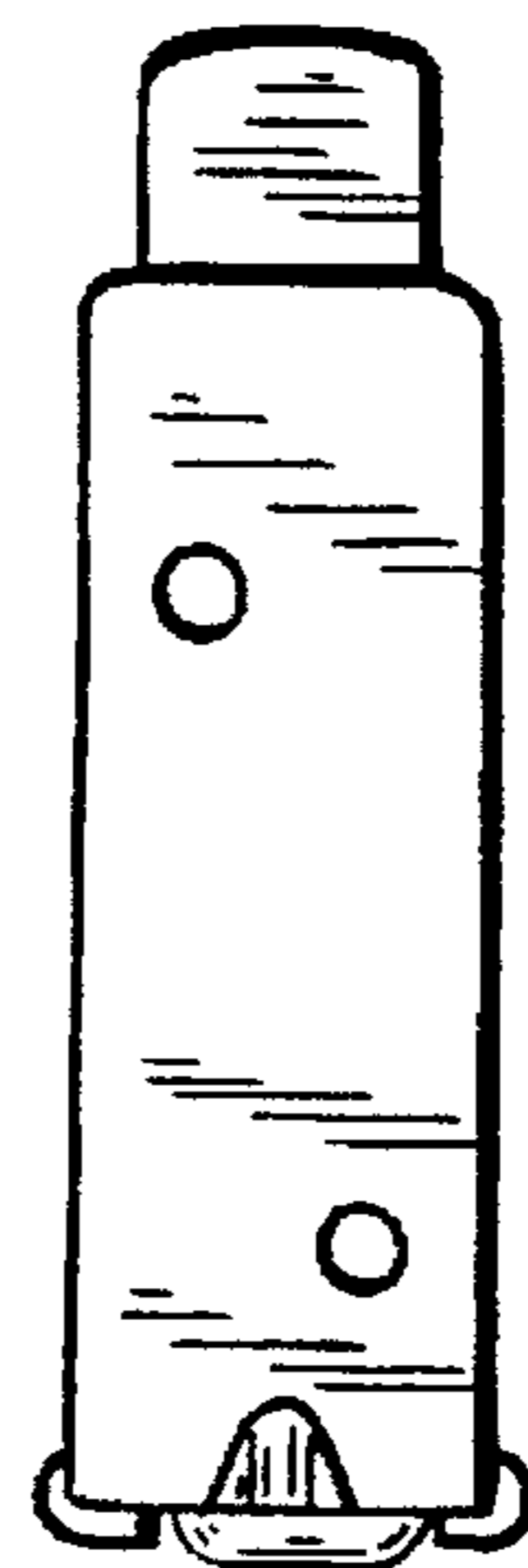


FIG. 5

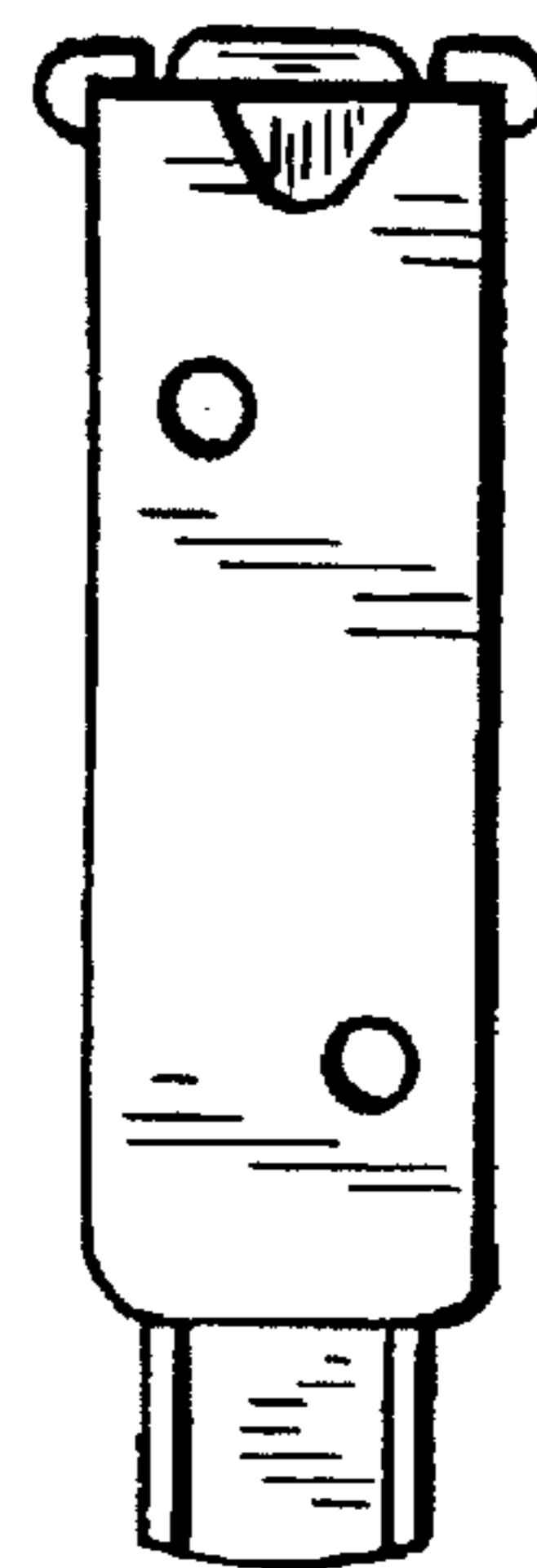


FIG. 6

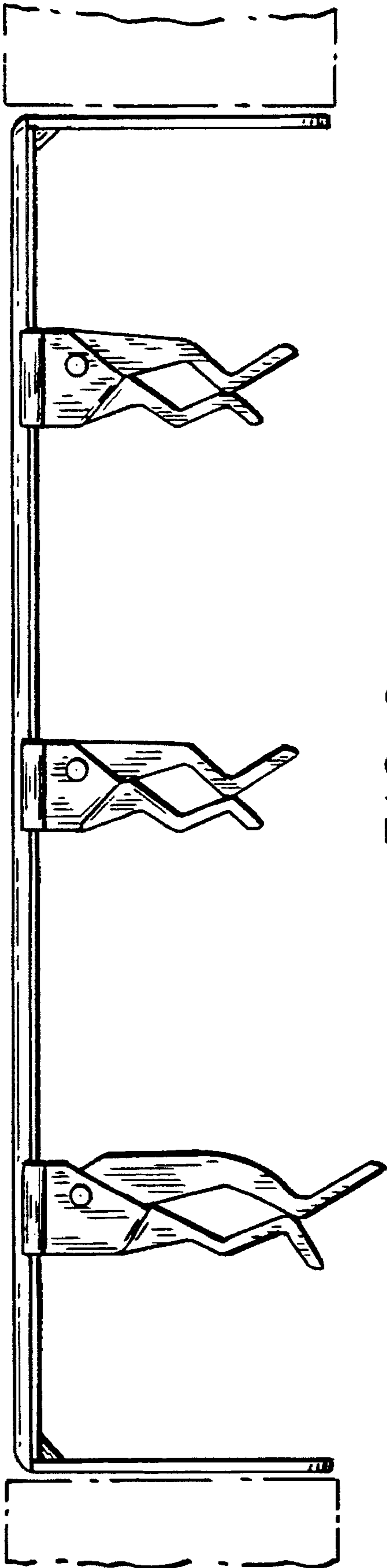


FIG. 2

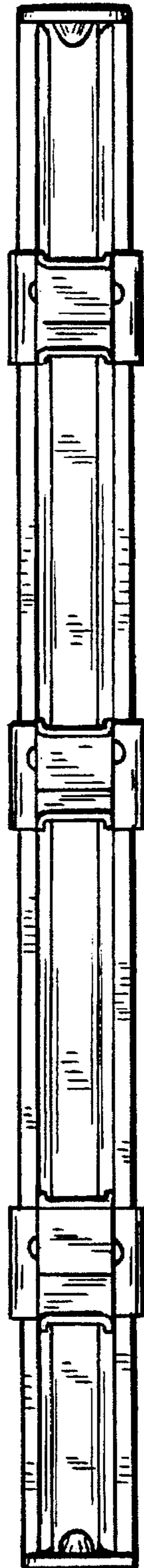


FIG. 3

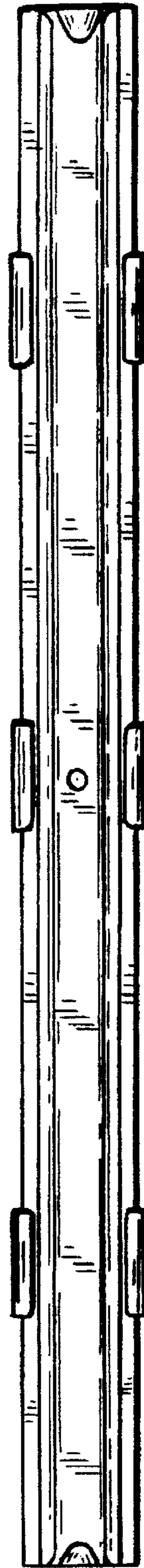


FIG. 4