



US00D379426S

United States Patent [19]

[11] Patent Number: **Des. 379,426**

Vogels

[45] Date of Patent: ****May 27, 1997**

[54] **SUPPORT FOR A TELEVISION AND AUDIO/VIDEO EQUIPMENT**

D. 352,652 11/1994 Vogels D8/363
4,659,047 4/1987 Haller 248/310 X
5,277,392 1/1994 Rossman et al. 248/280.1

[75] Inventor: **Henricus H. Vogels**, Eindhoven, Netherlands

Primary Examiner—Brian N. Vinson
Attorney, Agent, or Firm—Ladas & Parry

[73] Assignee: **Vogel's Holding B.V.**, Eindhoven, Netherlands

[57] **CLAIM**

[**] Term: **14 Years**

The ornamental design for a support for a television and audio/video equipment, as shown and described.

[21] Appl. No.: **48,116**

DESCRIPTION

[22] Filed: **Dec. 20, 1995**

[51] **LOC (6) Cl.** **08-08**

[52] **U.S. Cl.** **D8/363**

[58] **Field of Search** D6/567, 553, 574;
D8/349, 354-355, 363, 380-381; 248/670,
220.2, 235, 241, 274, 284, 281.1, 291,
310; 211/96, 100

FIG. 1 is a left side elevational view of a support for a television and audio-video equipment showing my new design, the right side being a mirror image of that shown;

FIG. 2 is a bottom, left side, and front perspective view thereof;

FIG. 3 is bottom plan view thereof; and,

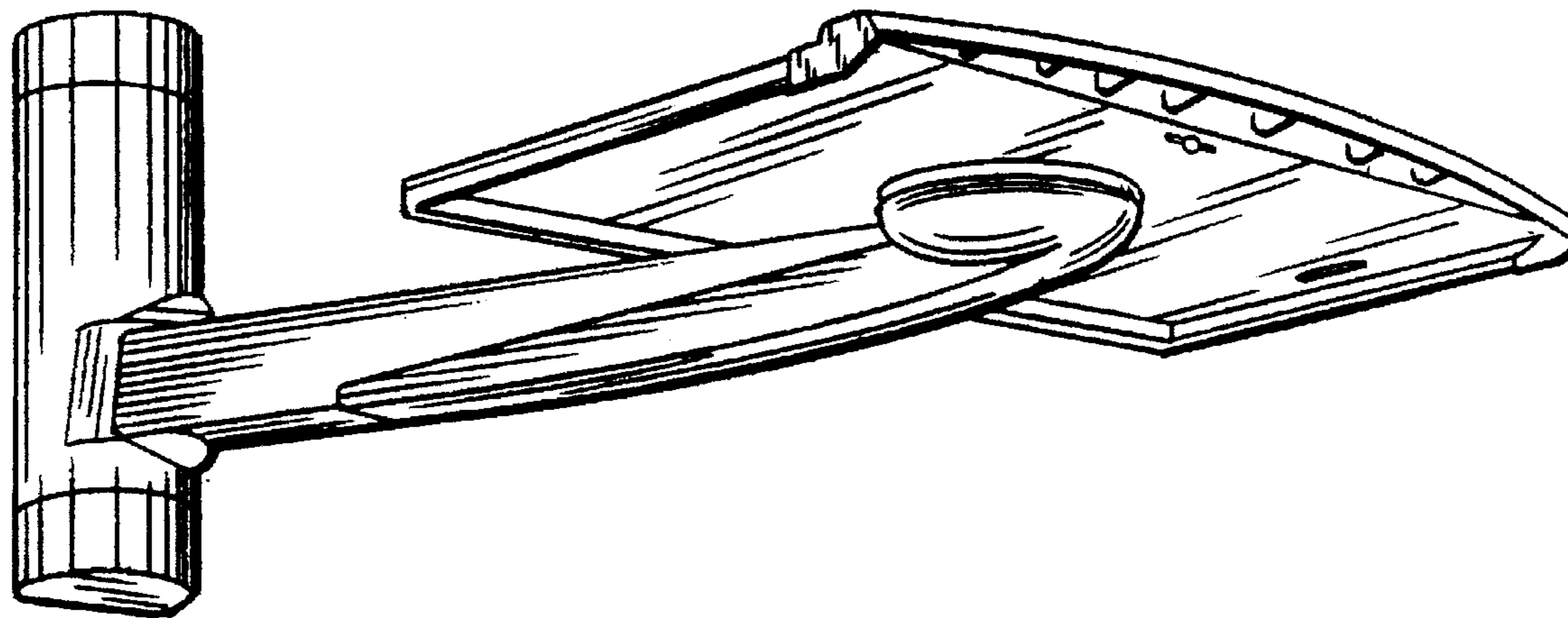
FIG. 4 is a top plan view thereof.

[56] **References Cited**

U.S. PATENT DOCUMENTS

D. 320,928 10/1991 Boscacci et al. D8/363

1 Claim, 2 Drawing Sheets



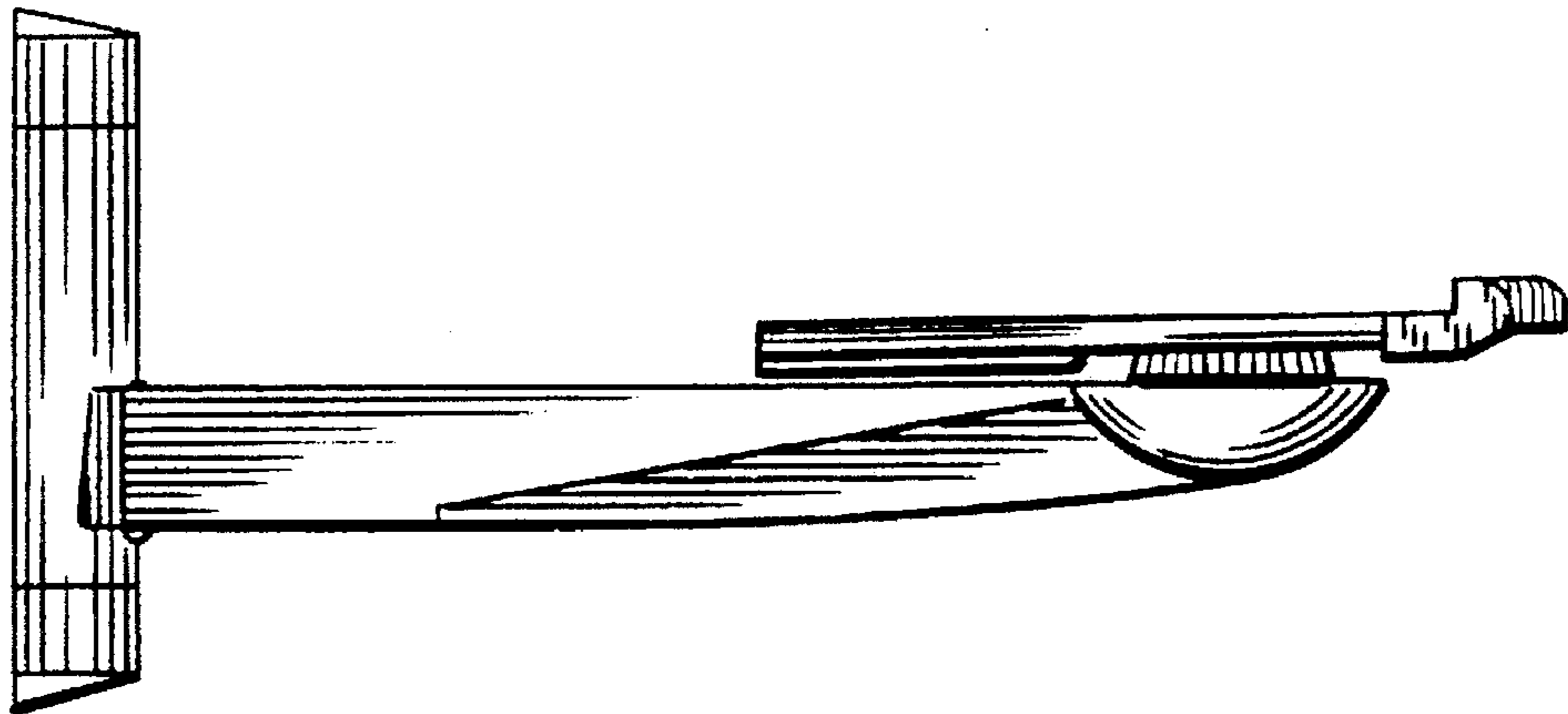


FIG. 1

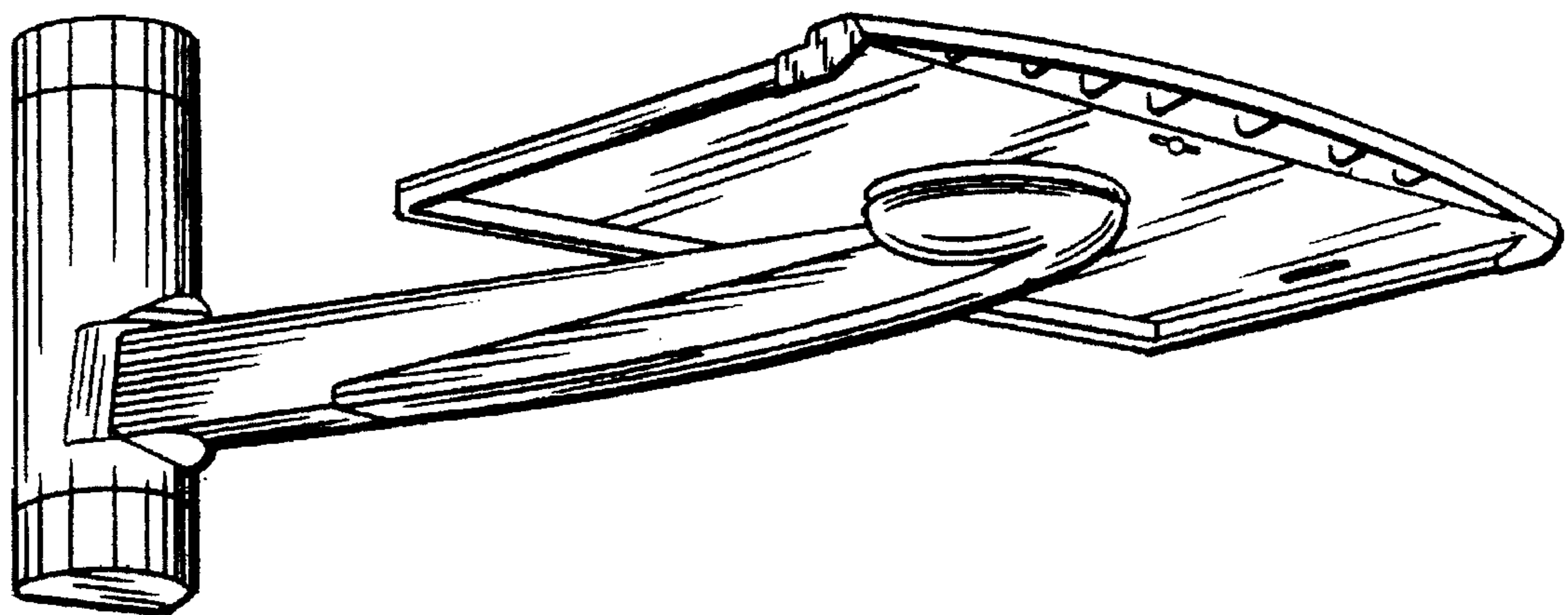


FIG. 2

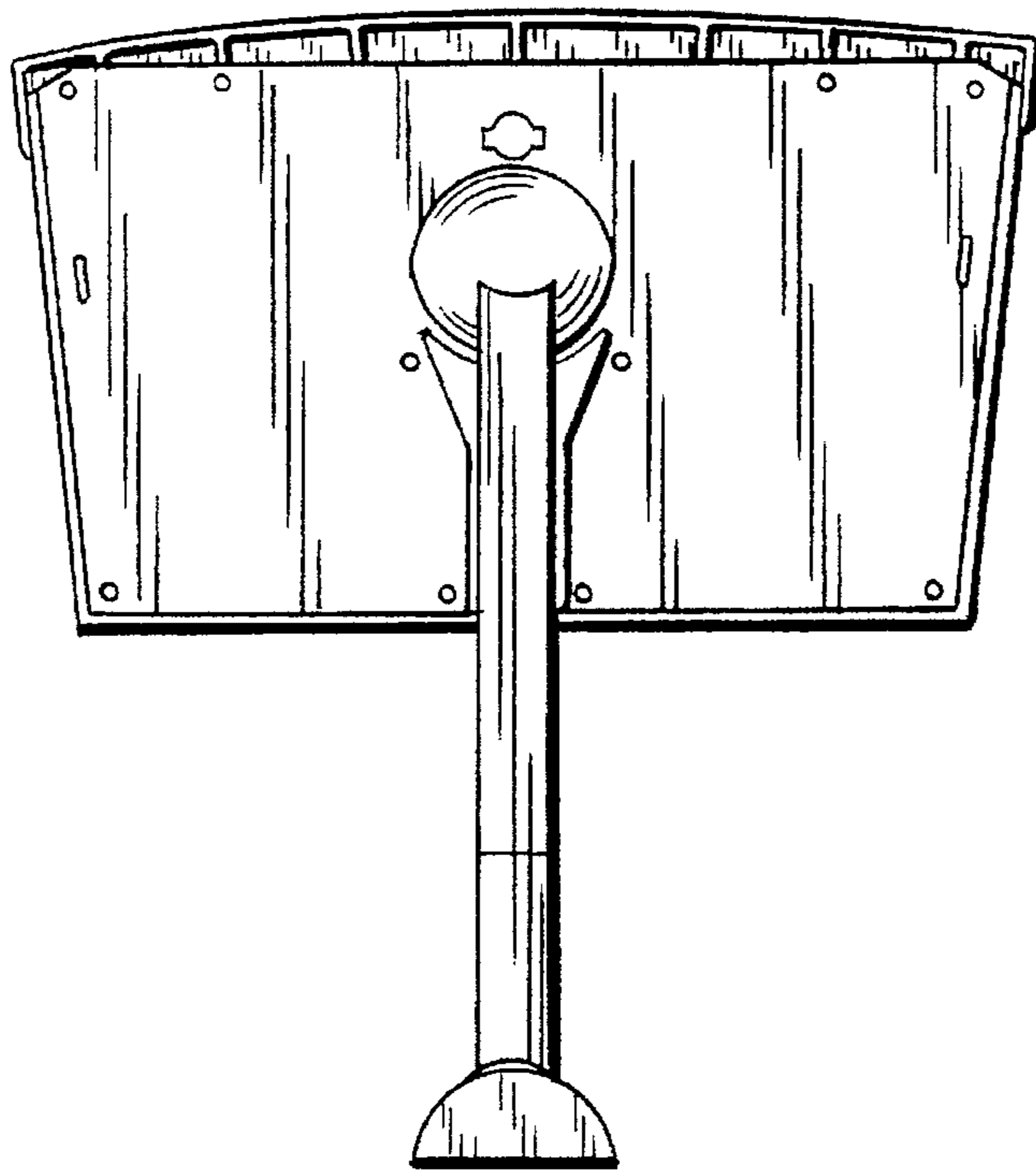


FIG. 3

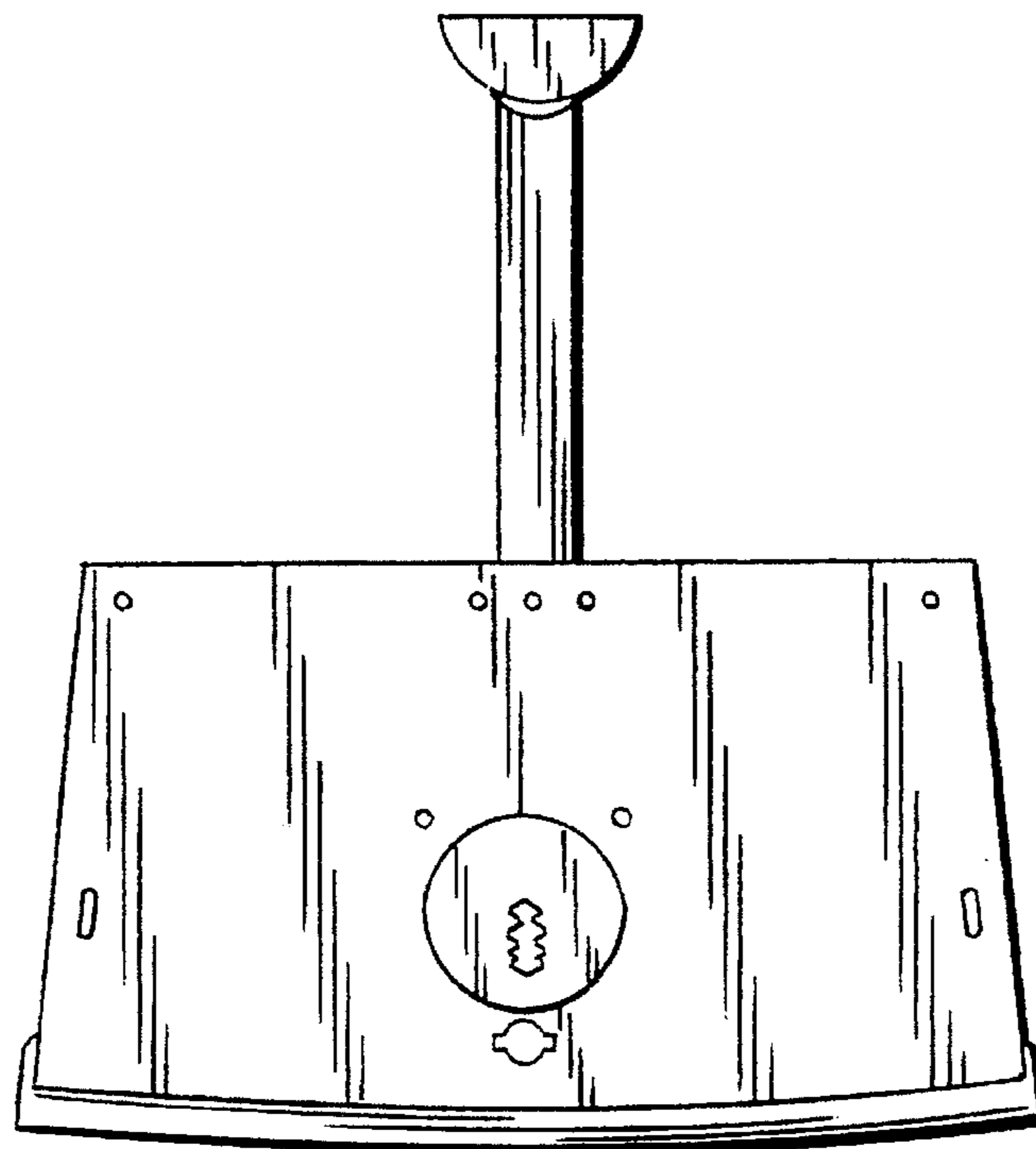


FIG. 4