



US00D379412S

United States Patent [19]
Hampshire

[11] **Patent Number: Des. 379,412**

[45] **Date of Patent: **May 27, 1997**

[54] **CORNER SHELF**

[75] **Inventor: James Hampshire, Solon, Ohio**

[73] **Assignee: InterDesign, Inc., Solon, Ohio**

[**] **Term: 14 Years**

[21] **Appl. No.: 48,383**

[22] **Filed: Dec. 27, 1995**

[51] **LOC (6) Cl. 07-07**

[52] **U.S. Cl. D6/574; D6/562**

[58] **Field of Search D6/574, 562, 525;
211/86-88, 90, 106, 126, 134; 206/77.1**

[56] **References Cited**

U.S. PATENT DOCUMENTS

| | | | |
|------------|---------|------------------------|----------|
| D. 323,439 | 1/1992 | Emery | D6/562 |
| D. 351,751 | 10/1994 | Brightbill et al. | D6/525 |
| D. 367,576 | 3/1996 | Hickey-Niezgoda | D6/562 X |
| 5,014,860 | 5/1991 | Emery | 211/106 |

OTHER PUBLICATIONS

Corner Shelves-13 Lillian Vernon Catalogue (Oct. 1988) p. 27.

Primary Examiner—Brian N. Vinson
Attorney, Agent, or Firm—D. Peter Hochberg; Mark Kusner; Michael Jaffe

[57] **CLAIM**

The ornamental design for a corner shelf, as shown and described.

DESCRIPTION

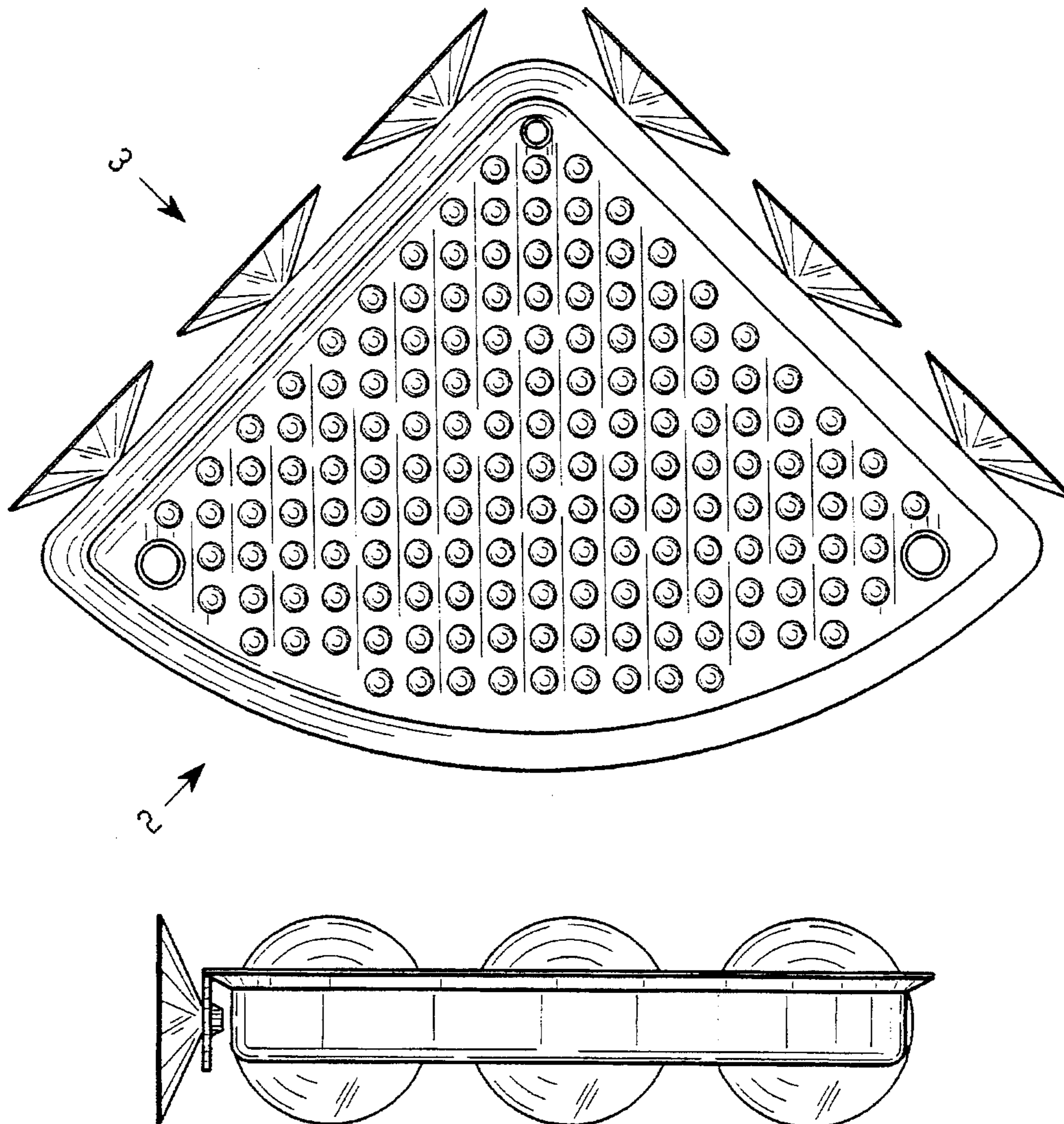
FIG. 1 is a top view of a corner shelf embodying my new design;

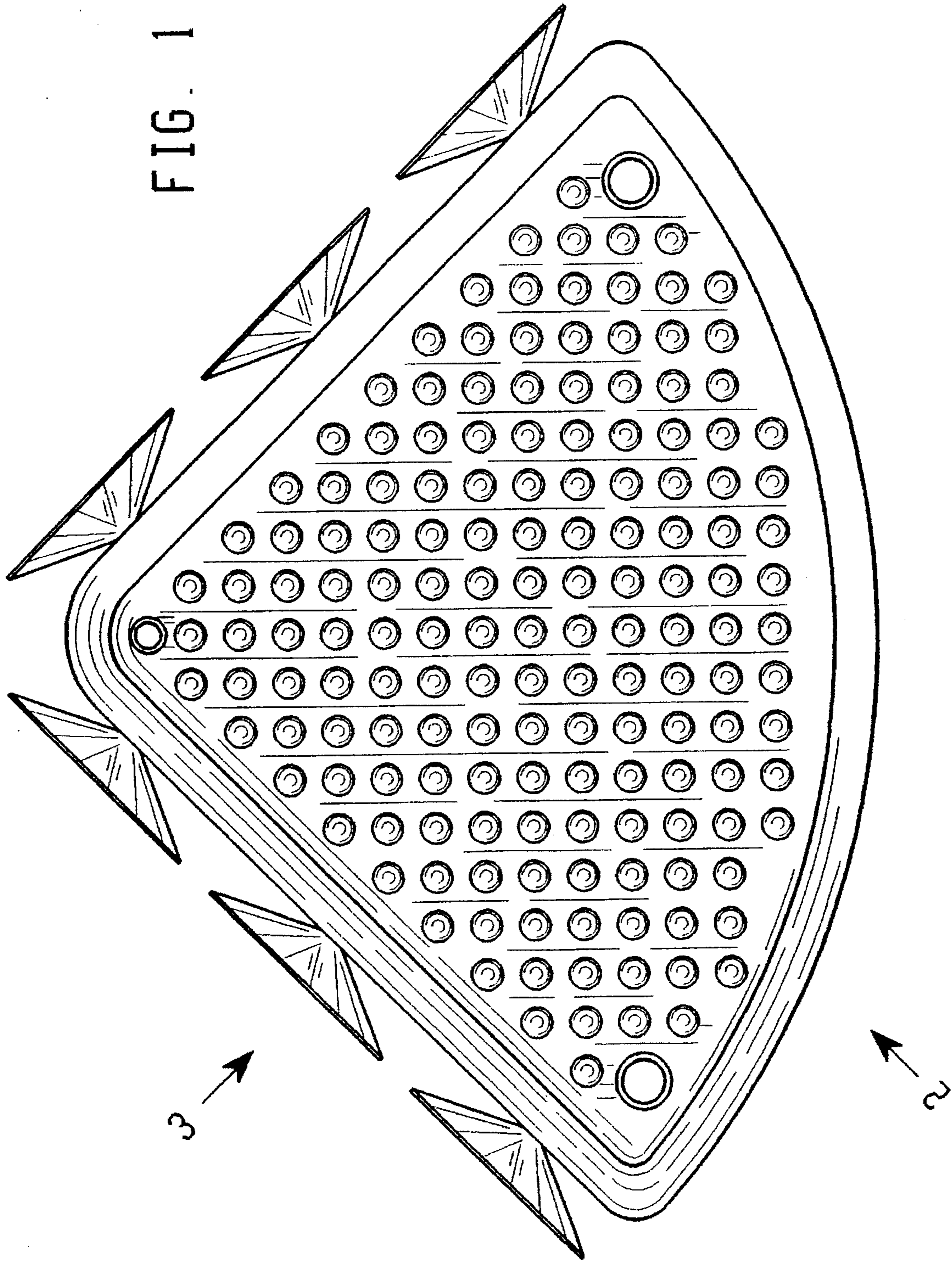
FIG. 2 is a side view of the corner shelf shown in direction 2 of FIG. 1;

FIG. 3 is a rear view of the corner shelf shown in direction 3 of FIG. 1; and,

FIG. 4 is a bottom view of the corner shelf shown in FIG. 1.

1 Claim, 3 Drawing Sheets





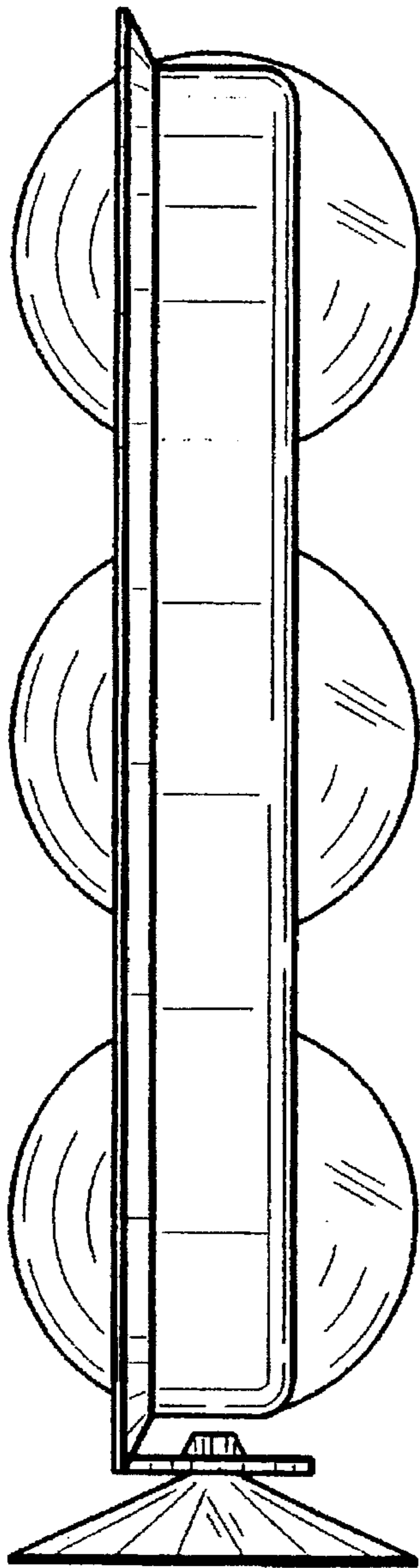


FIG. 2

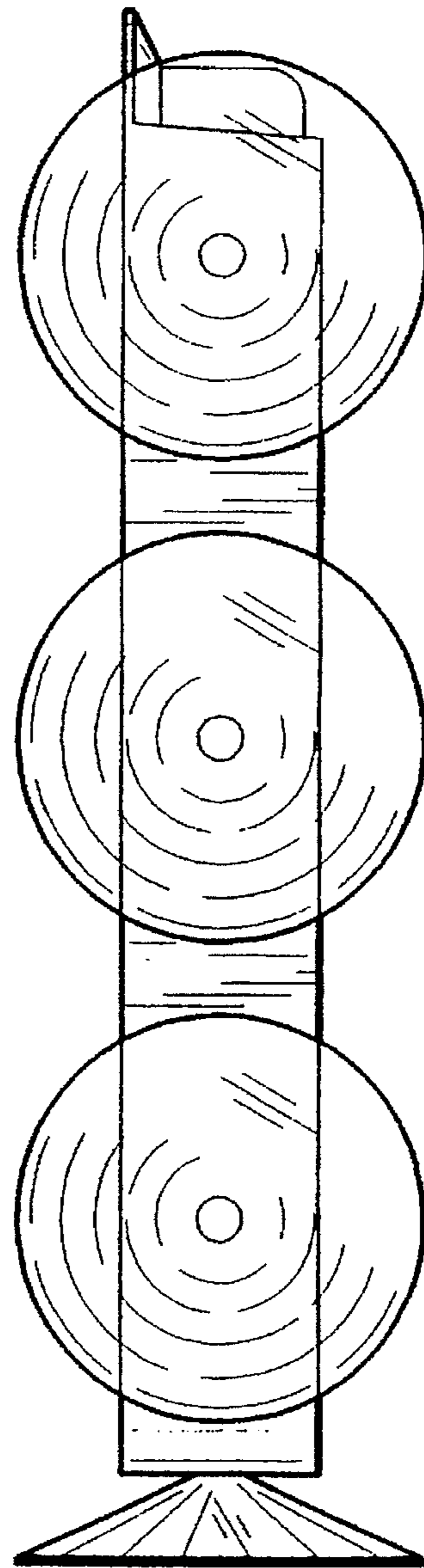


FIG. 3

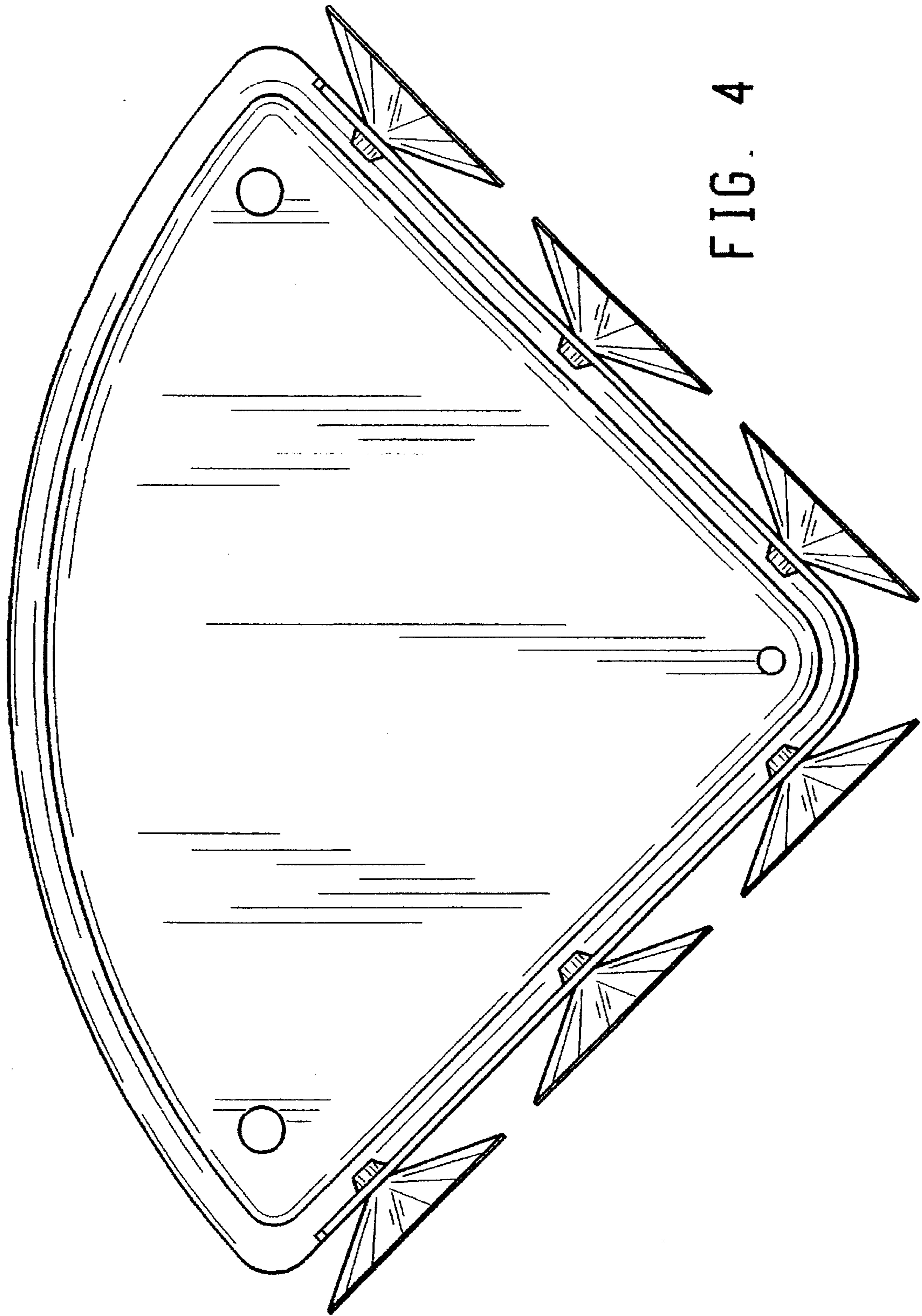


FIG. 4