



US00D379411S

United States Patent [19] Funk

[11] Patent Number: **Des. 379,411**

[45] Date of Patent: ****May 27, 1997**

[54] **BASE FOR A TABLE**

[75] Inventor: **David R. Funk**, Sheboygan, Wis.

[73] Assignee: **Krueger International, Inc.**, Green Bay, Wis.

[**] Term: **14 Years**

[21] Appl. No.: **50,311**

[22] Filed: **Feb. 14, 1996**

Related U.S. Application Data

[62] Division of Ser. No. 34,260, Jan. 31, 1995, Pat. No. Des. 372,150.

[51] **LOC (6) Cl.** **06-06**

[52] **U.S. Cl.** **D6/495**

[58] **Field of Search** D6/480-489, 495, D6/499, 422, 423; 248/188, 188.1, 188.9, 188.8; 108/153, 157, 161

[56] **References Cited**

U.S. PATENT DOCUMENTS

D. 319,935 9/1991 Heidmann D6/422

D. 330,302 10/1992 Heidmann .

D. 372,150 7/1996 Funk D6/495

4,448,378 5/1984 Binfare 108/150 X

5,388,792 2/1995 Hastings et al. 248/188.8 X

OTHER PUBLICATIONS

Domus, Dec. 1994, table leg in center.

Primary Examiner—Janice E. Seeger

Attorney, Agent, or Firm—Andrus, Scales, Starke & Sawall

[57] **CLAIM**

The ornamental design for a base for a table, as shown and described.

DESCRIPTION

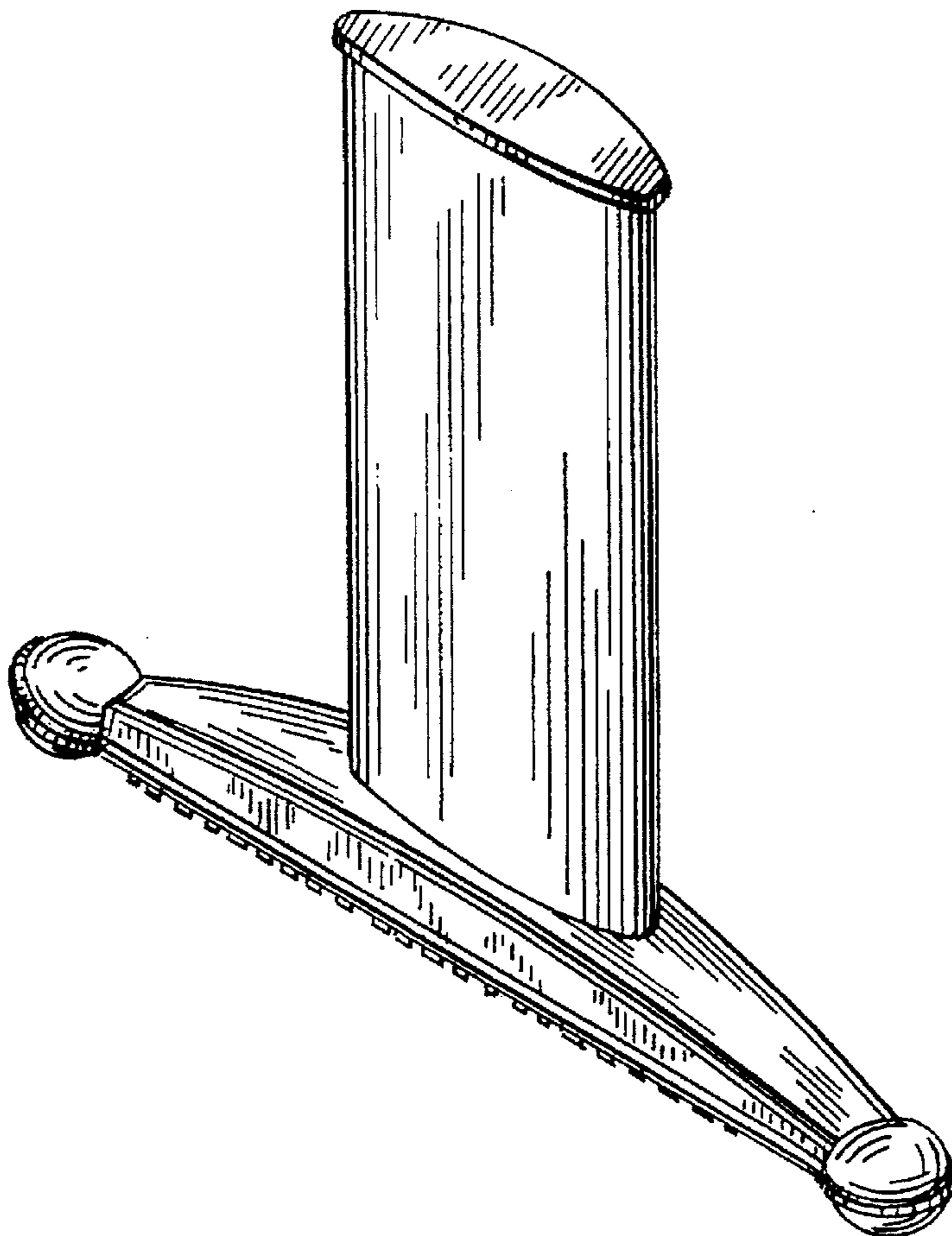
FIG. 1 is a isometric view of a base for a table, incorporating our new design;

FIG. 2 is a front view thereof;

FIG. 3 is a side view thereof; and,

FIG. 4 is a top view thereof.

1 Claim, 2 Drawing Sheets



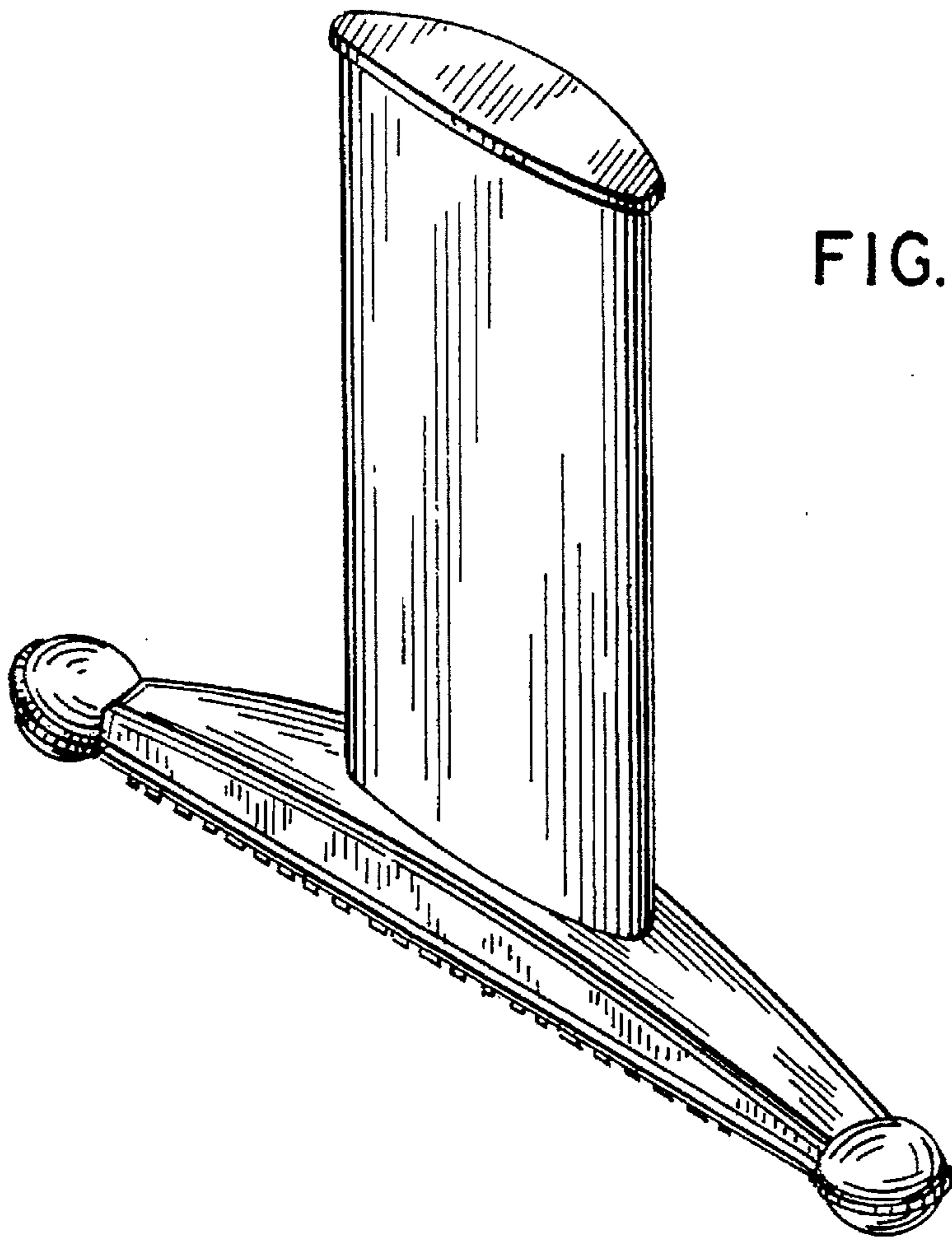


FIG. 1

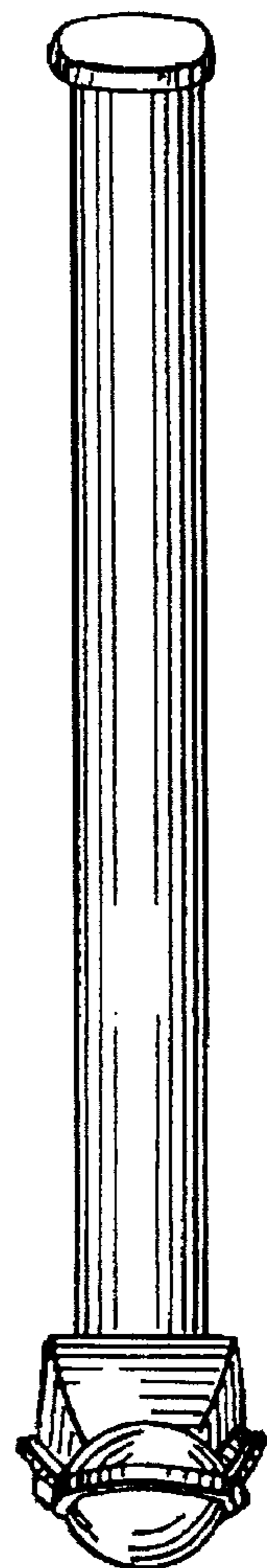


FIG. 2

FIG. 3

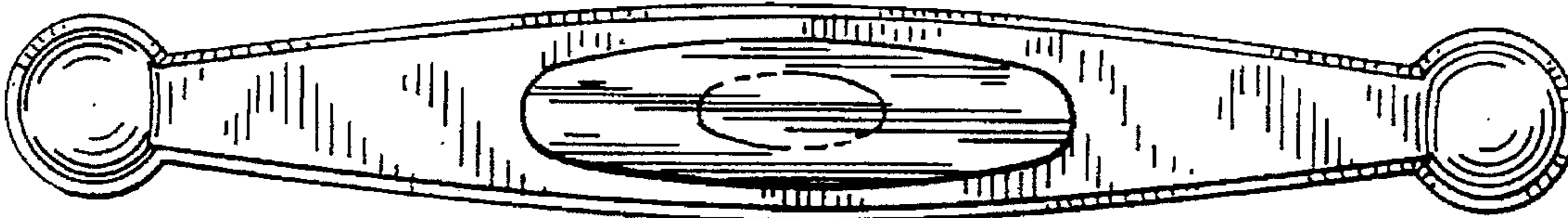
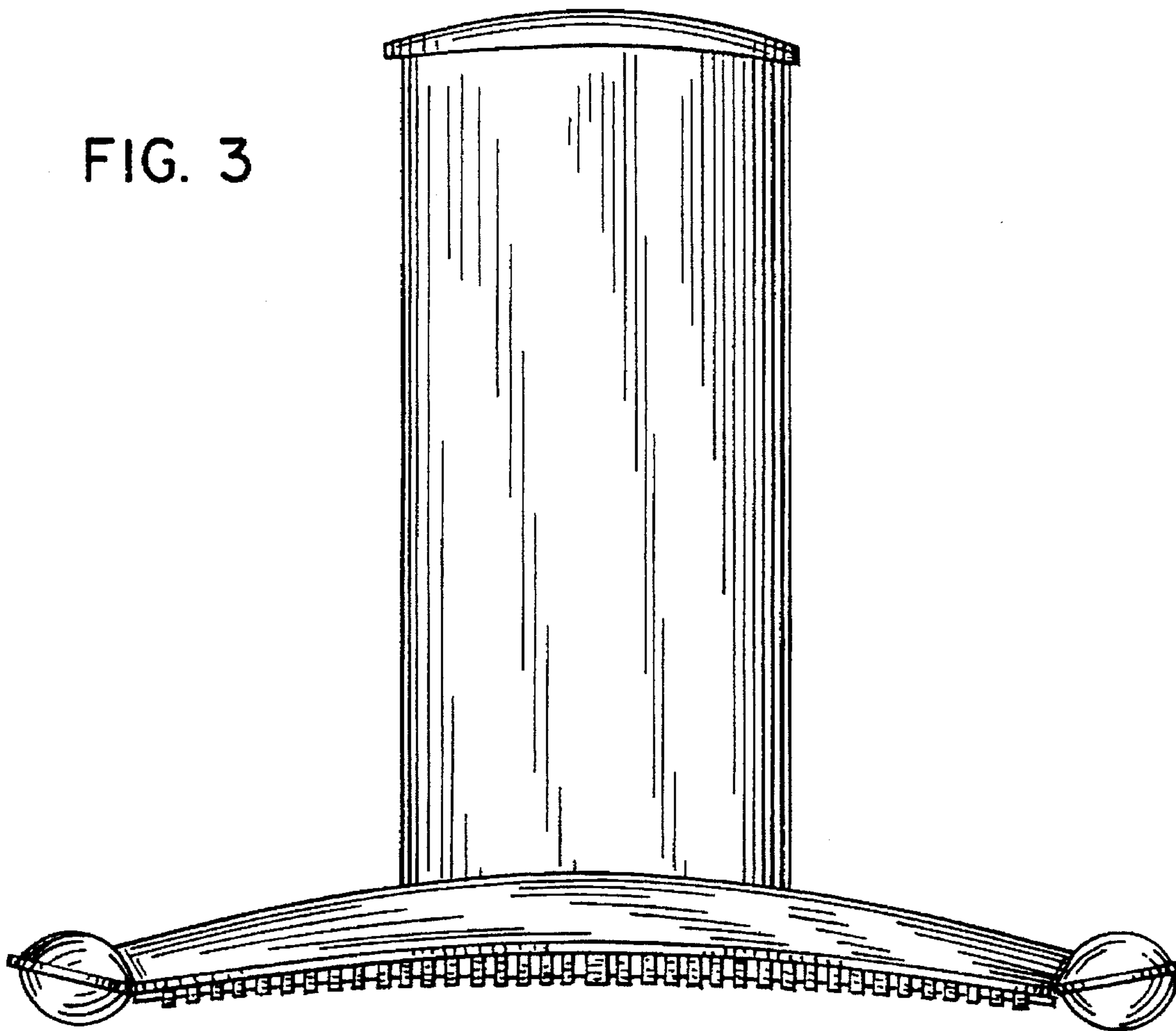


FIG. 4