



US00D379410S

United States Patent [19]
Porcaro

[11] **Patent Number: Des. 379,410**

[45] **Date of Patent: **May 27, 1997**

[54] **FINGER RING DISPLAY HOLDER**

3,208,713 9/1965 Eichhorn et al. D6/466 X
4,560,133 12/1985 Droz 248/116 X

[75] Inventor: **Felix A. Porcaro**, Lincoln, R.I.

Primary Examiner—Susan J. Lucas
Assistant Examiner—Cynthia E. Ramirez
Attorney, Agent, or Firm—Salter & Michaelson

[73] Assignee: **Accessories Associates, Inc.**,
Smithfield, R.I.

[**] Term: **14 Years**

[57] **CLAIM**

[21] Appl. No.: **43,327**

The ornamental design for a finger ring display holder, as shown and described.

[22] Filed: **Aug. 31, 1995**

DESCRIPTION

[51] **LOC (6) Cl.** **20-02**

[52] **U.S. Cl.** **D6/466**

[58] **Field of Search** D20/22, 23, 26,
D20/27, 42, 28, 29, 40, 43, 41; 40/639,
641, 642, 644, 645, 646, 647, 650, 651,
633, 664; D9/418, 423; 248/114, 115, 116,
442; D6/466, 467

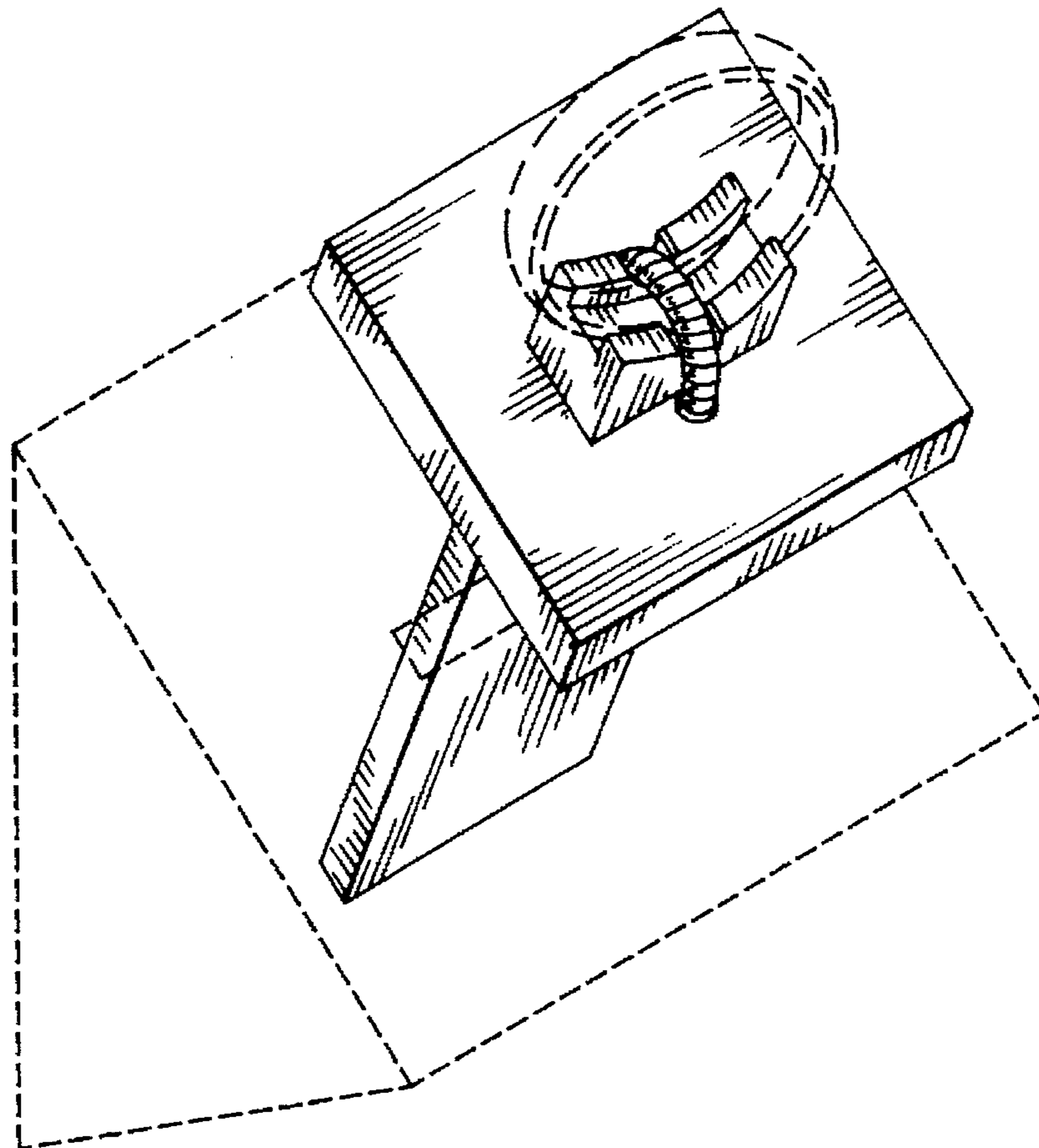
FIG. 1 is a perspective view of a finger ring display holder showing my new design;
FIG. 2 is a side elevational view thereof, the opposite side being a mirror image thereof;
FIG. 3 is a front elevational view thereof, the rear elevation being a mirror image thereof;
FIG. 4 is a top plan view thereof;
FIG. 5 is a bottom plan view thereof; and,
FIG. 6 is a perspective view of the finger ring display holder showing the holder mounted in a display element.
The broken lines showing are for illustrative purposes only and form no part of the claimed design.

[56] **References Cited**

U.S. PATENT DOCUMENTS

D. 136,524	10/1943	Swainson	D9/418
D. 208,600	9/1967	Rosen	D6/466
806,716	12/1905	Stevenson	248/442
1,245,819	11/1917	Taylor	D6/466 X

1 Claim, 2 Drawing Sheets



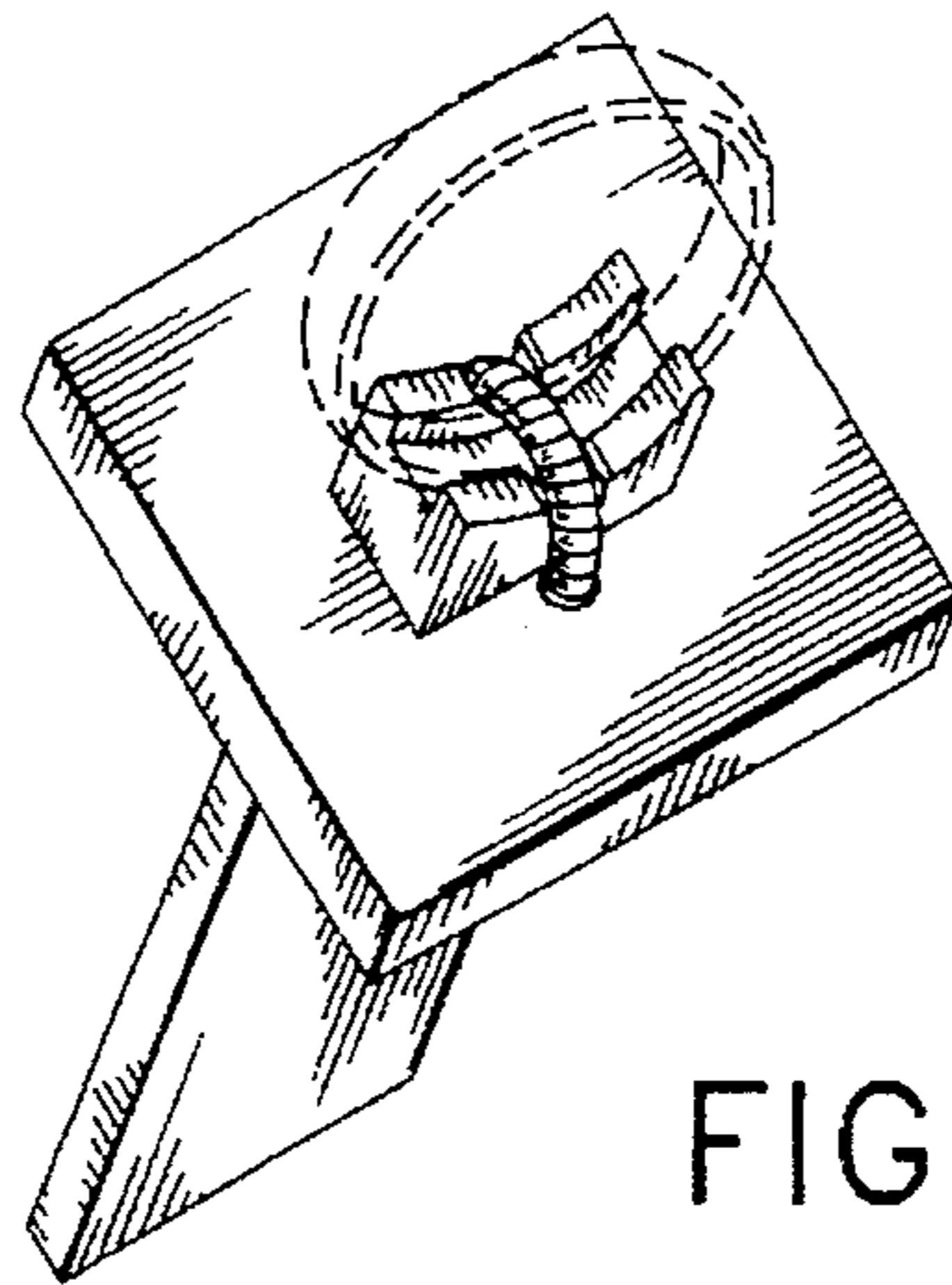


FIG. 1

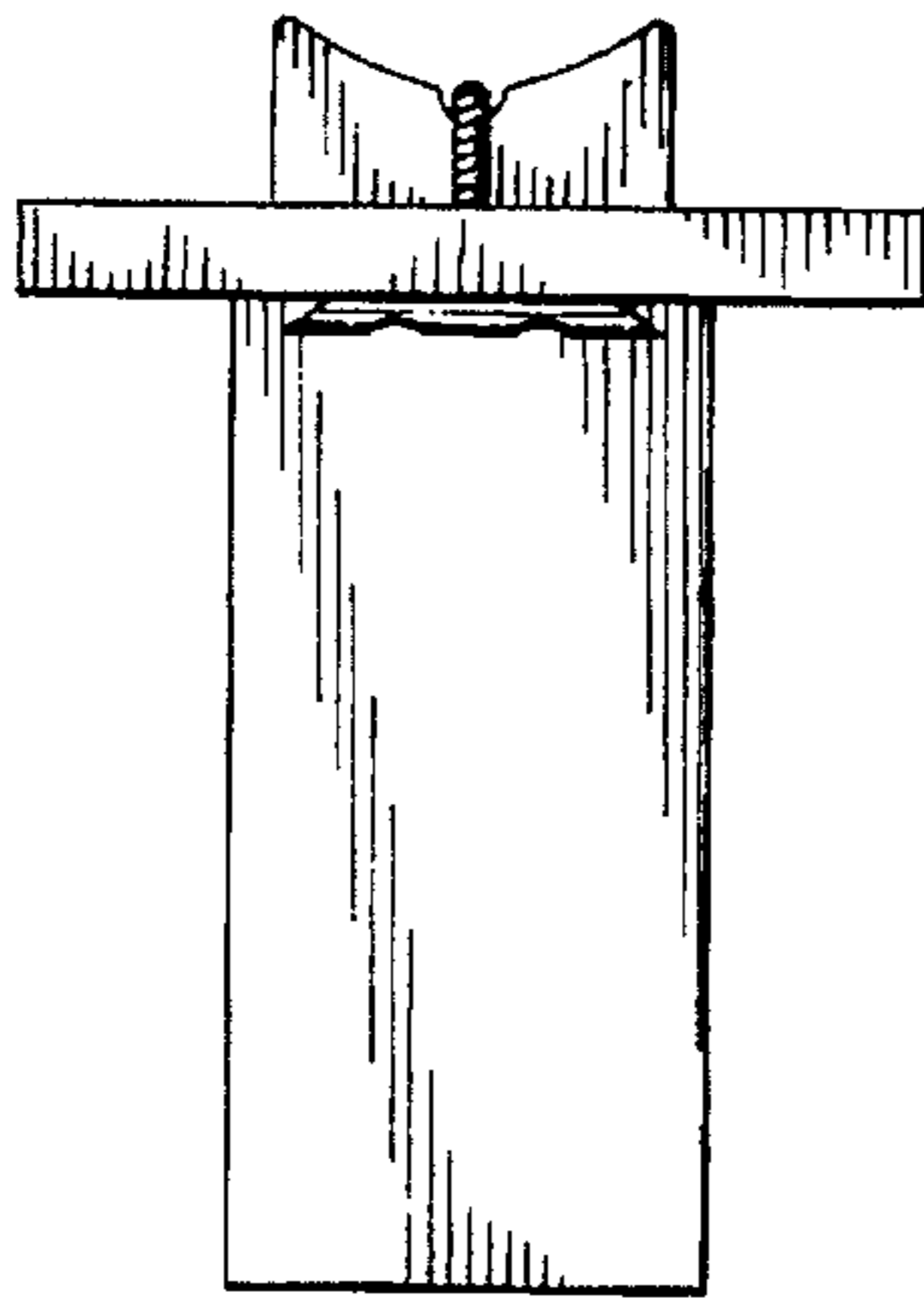


FIG. 2

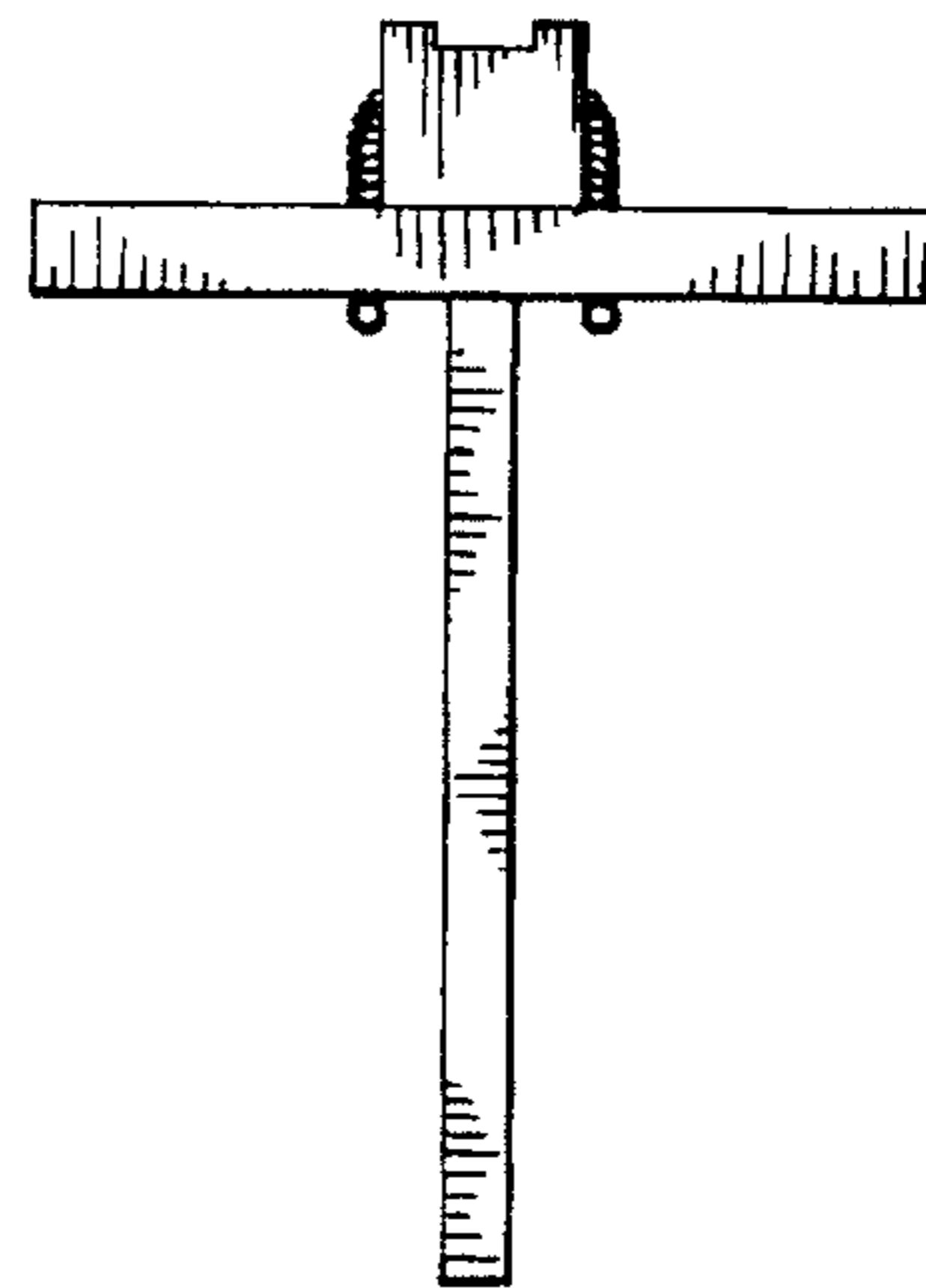


FIG. 3

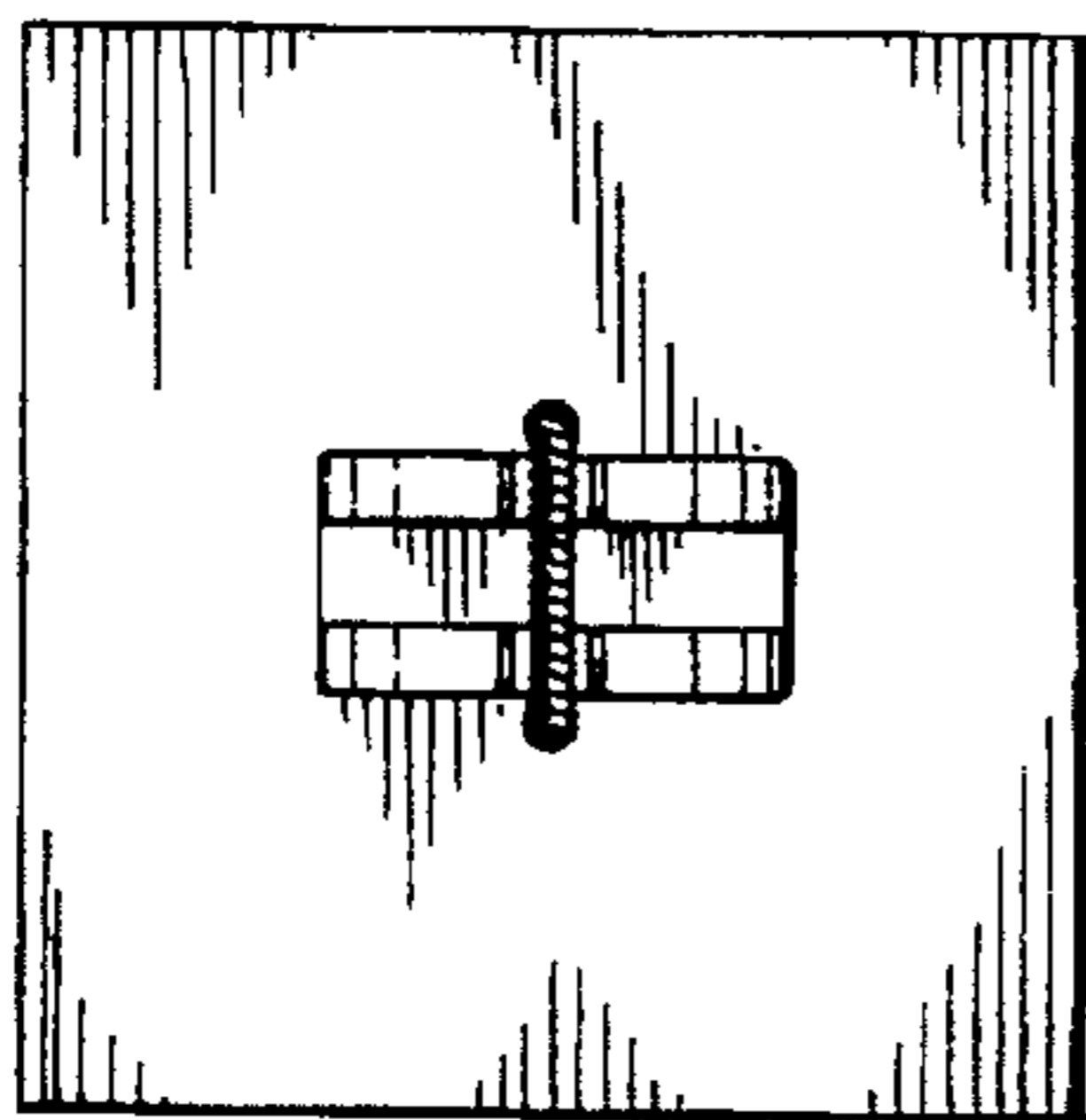


FIG. 4

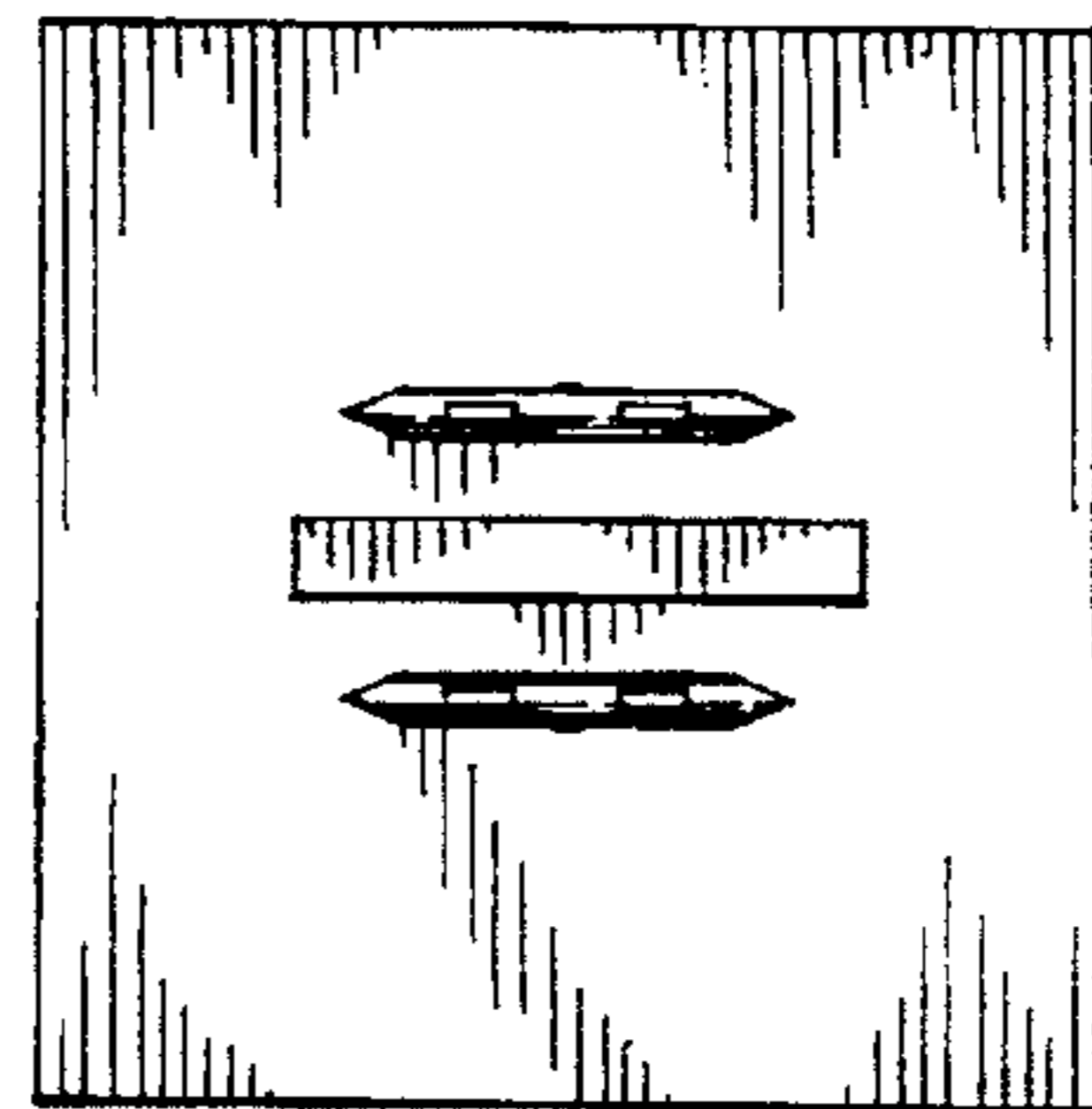


FIG. 5

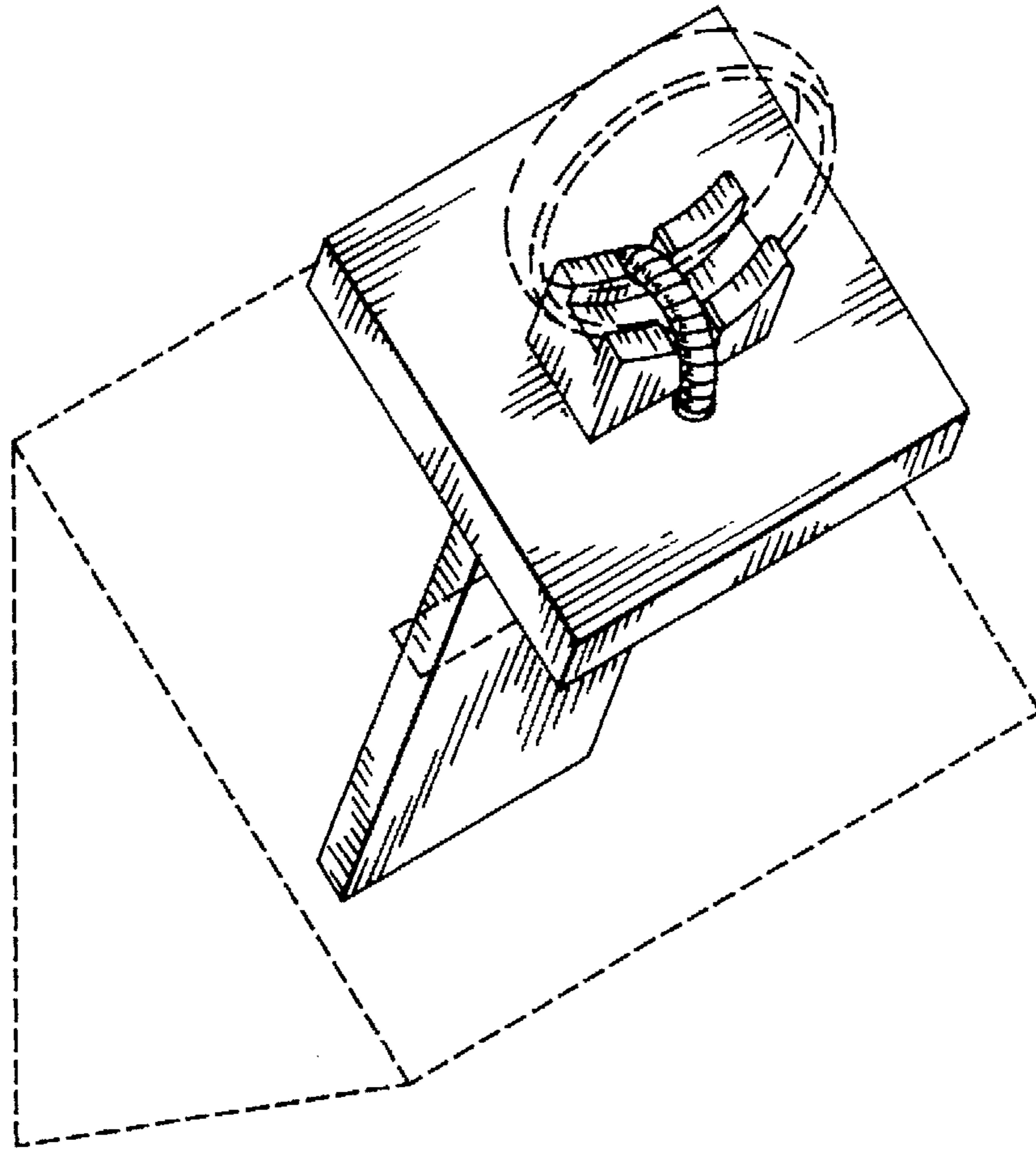


FIG. 6