



US00D379409S

United States Patent [19]

[11] Patent Number: **Des. 379,409**

Schwaegerle et al.

[45] Date of Patent: ****May 27, 1997**

[54] **RECLINING EXAMINATION CHAIR**

Reliance Medical Products Brochure 880; 1995.

[75] Inventors: **Gary G. Schwaegerle**, Cincinnati;
Gregory M. Crook, Columbus, both of Ohio

Primary Examiner—Gary D. Watson
Attorney, Agent, or Firm—Wood, Herron & Evans, P.L.L.

[73] Assignee: **Reliance Medical Products, Inc.**,
Mason, Ohio

[57] **CLAIM**

[**] Term: **14 Years**

The ornamental design for a reclining examination chair, as shown and described.

[21] Appl. No.: **51,362**

DESCRIPTION

[22] Filed: **Mar. 7, 1996**

FIG. 1 is a perspective view of a reclining examination chair showing our new design;

[51] LOC (6) Cl. **06-01**

FIG. 2 is a front elevational view thereof;

[52] U.S. Cl. **D6/367; D6/360**

FIG. 3 is a right side elevational view thereof;

[58] Field of Search D6/334, 335, 336,
D6/360, 361, 364, 367, 374, 375, 379,
500, 501, 502; 297/344.16, 344.17

FIG. 4 is a left side elevational view thereof;

FIG. 5 is a rear elevational view thereof;

[56] **References Cited**

U.S. PATENT DOCUMENTS

D. 186,879	12/1959	Klein	D6/360
D. 194,673	2/1963	Watlington	D6/360
D. 239,790	5/1976	Webb	D6/360
3,514,153	5/1970	Maurer et al.	.	
3,661,421	5/1972	Johnson	.	

FIG. 6 is a top plan view thereof;

FIG. 7 is a bottom plan view thereof;

FIG. 8 is a front elevational view of the reclining examination chair of FIG. 1, shown in a reclined position;

FIG. 9 is a right side elevational view of FIG. 8;

FIG. 10 is a left side elevational view of FIG. 8;

FIG. 11 is a rear elevational view of FIG. 8;

FIG. 12 is a top plan view of FIG. 8; and,

FIG. 13 is a bottom plan view of FIG. 8.

FOREIGN PATENT DOCUMENTS

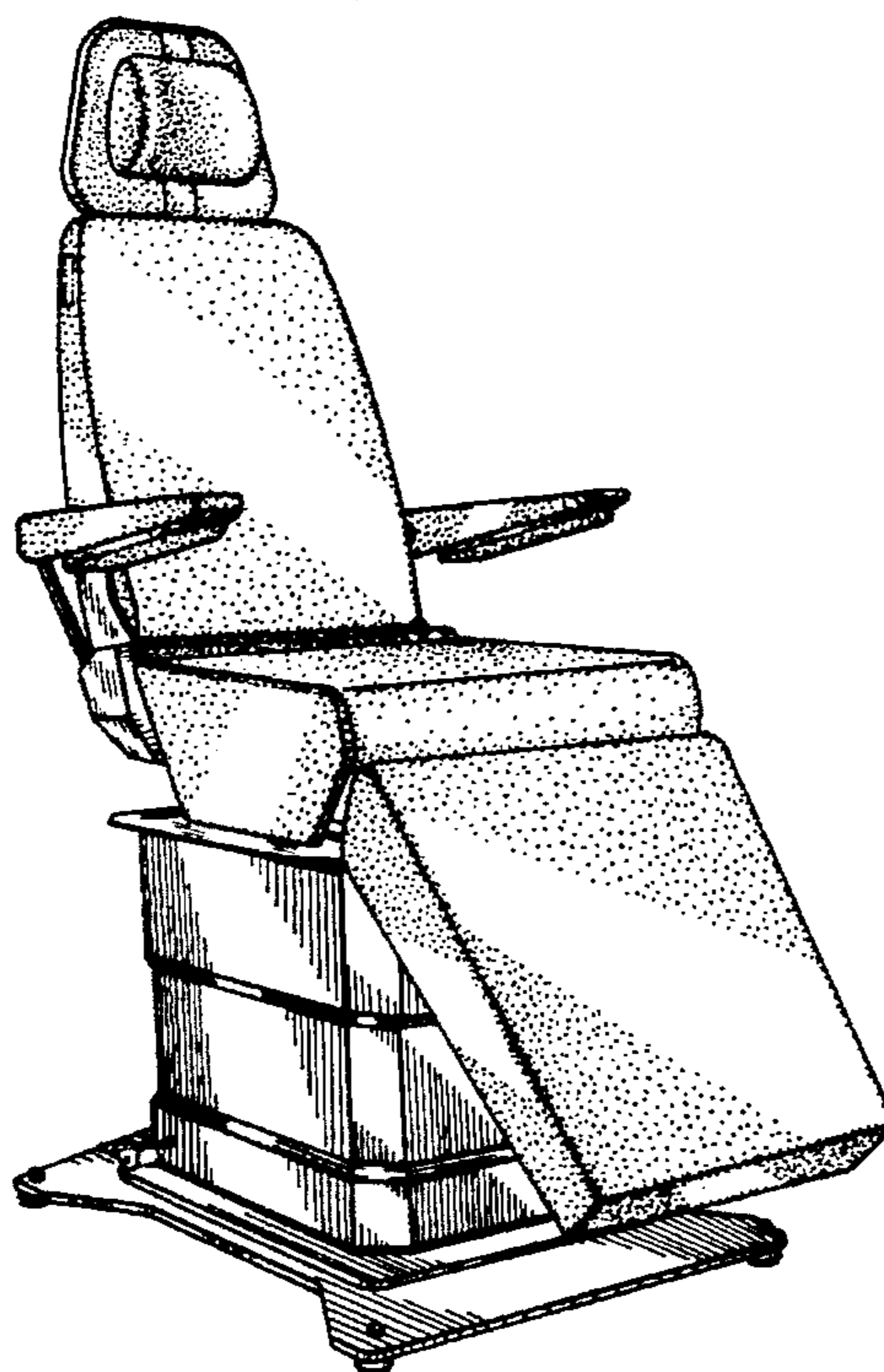
1137590 12/1968 United Kingdom .

OTHER PUBLICATIONS

Part Specification Document; Surgical Chair; Mar. 24, 1995.
Reliance Medical Products Brochure 7000; 1993.
Reliance Medical Products Brochure 7100; 1994.

The broken lines shown in FIGS. 2, 3, 4, 5, 8, 9, 10 and 11 are for environmental purposes only and form no part of the claimed design.

1 Claim, 6 Drawing Sheets



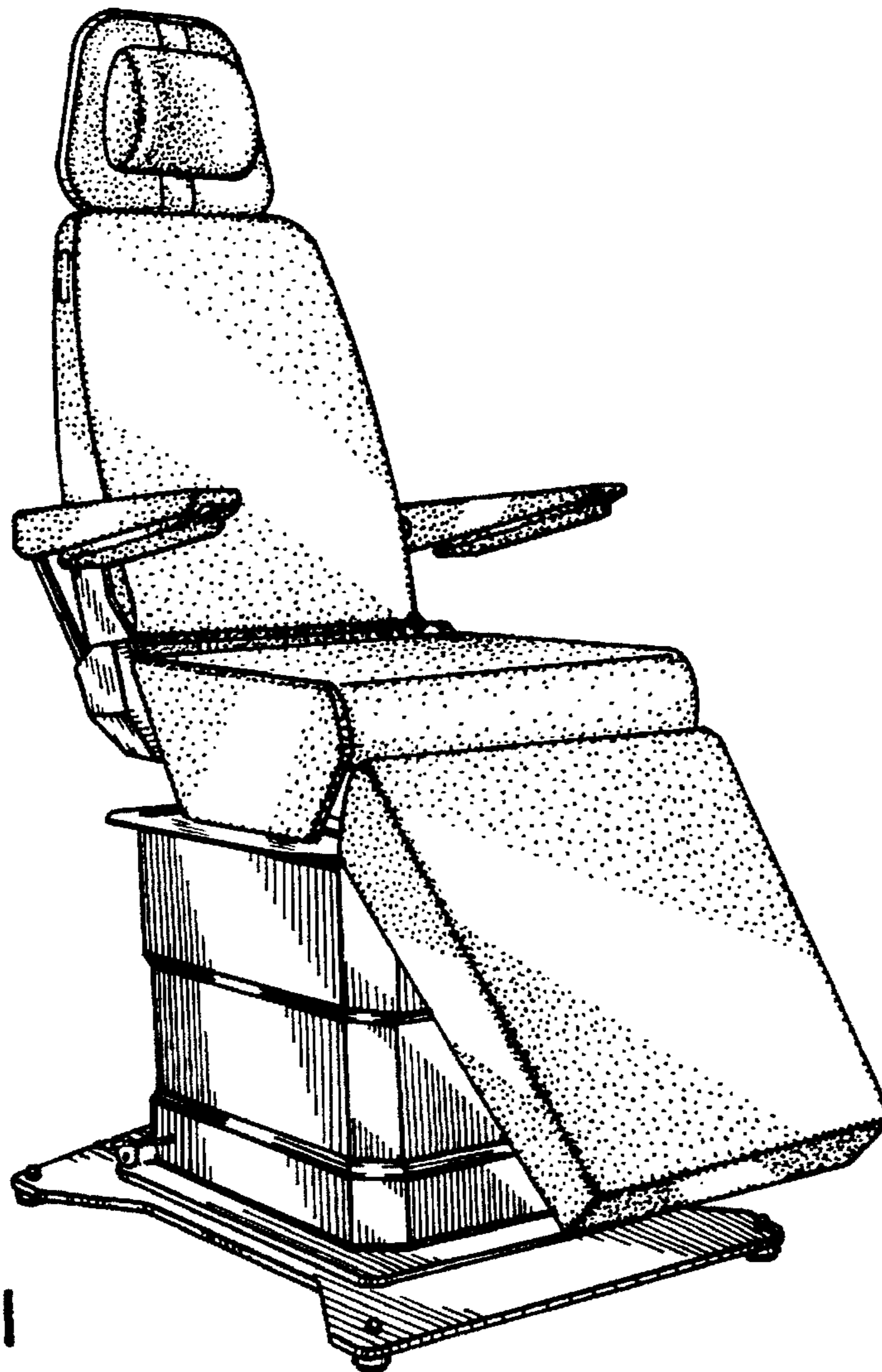


FIG. 1

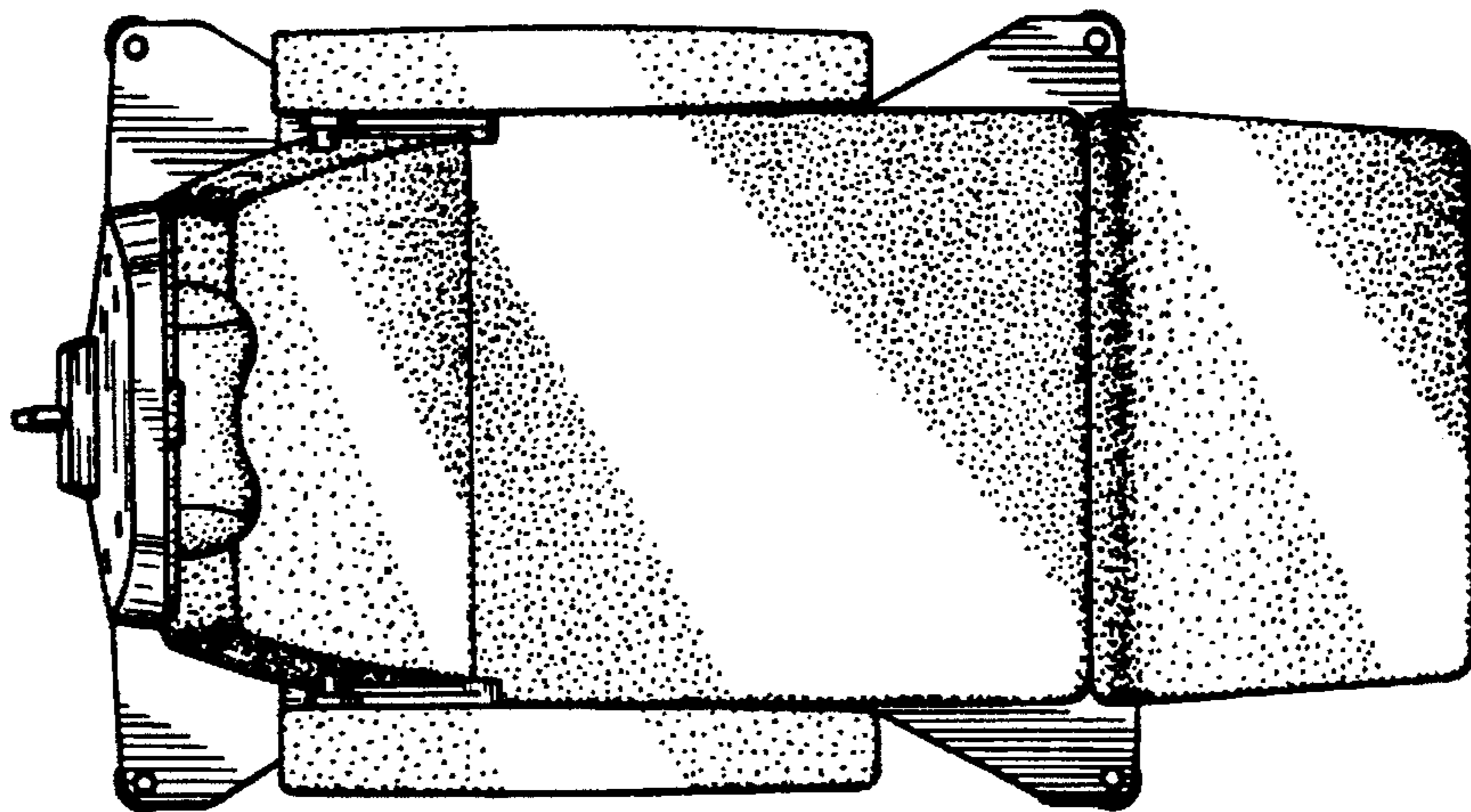


FIG. 6

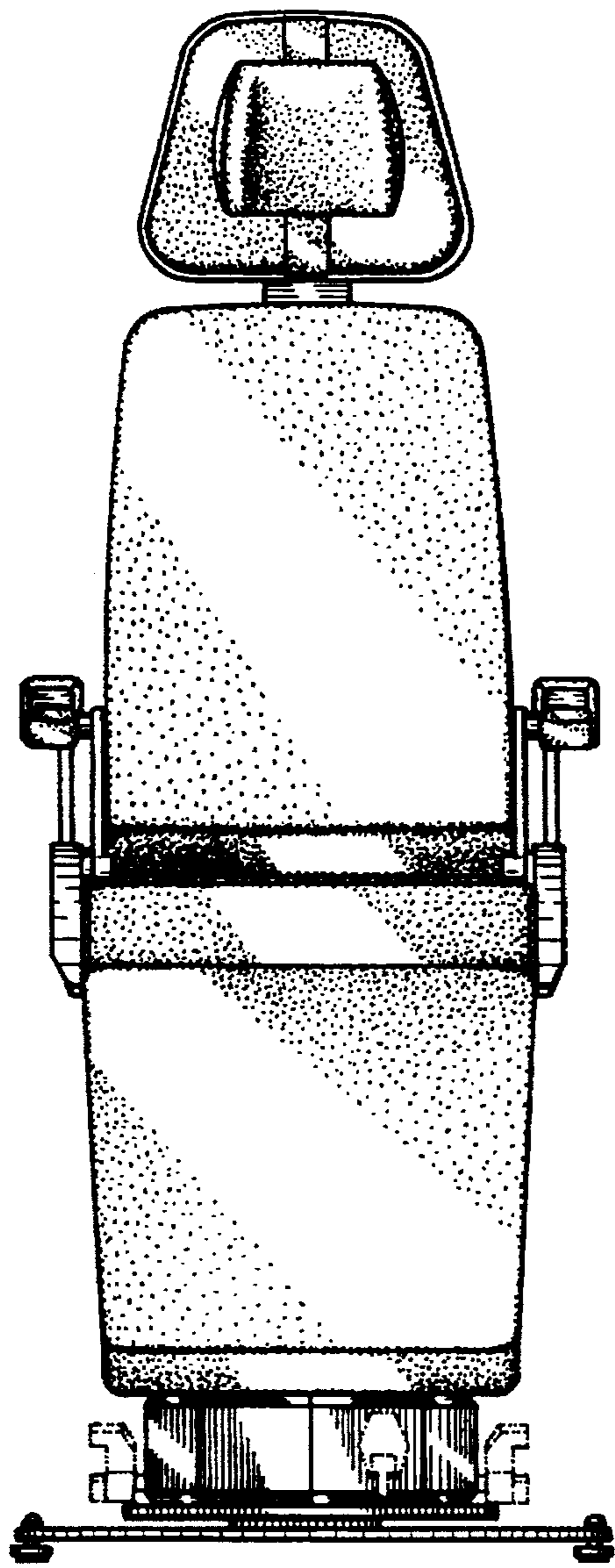


FIG. 2

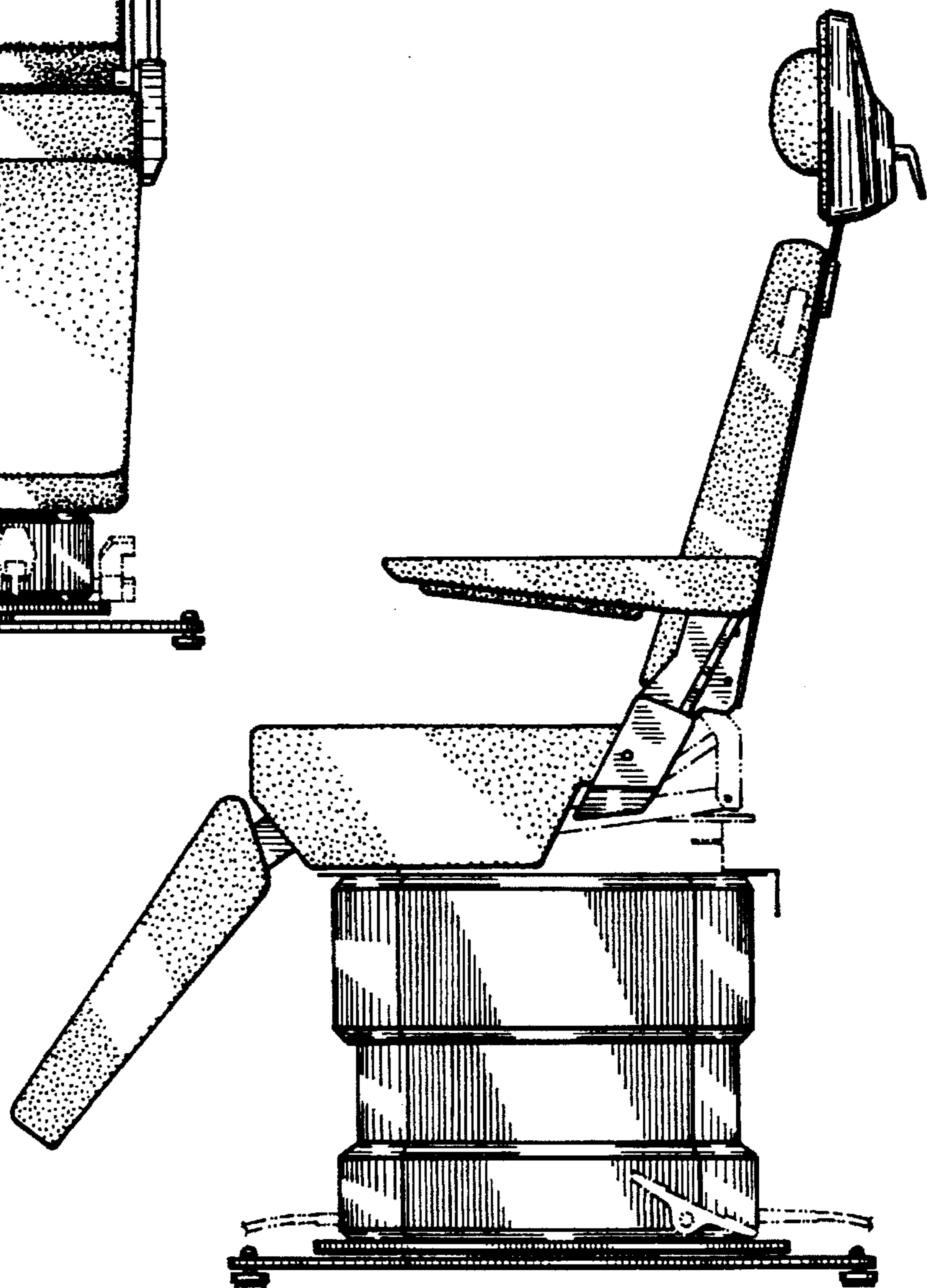


FIG. 3

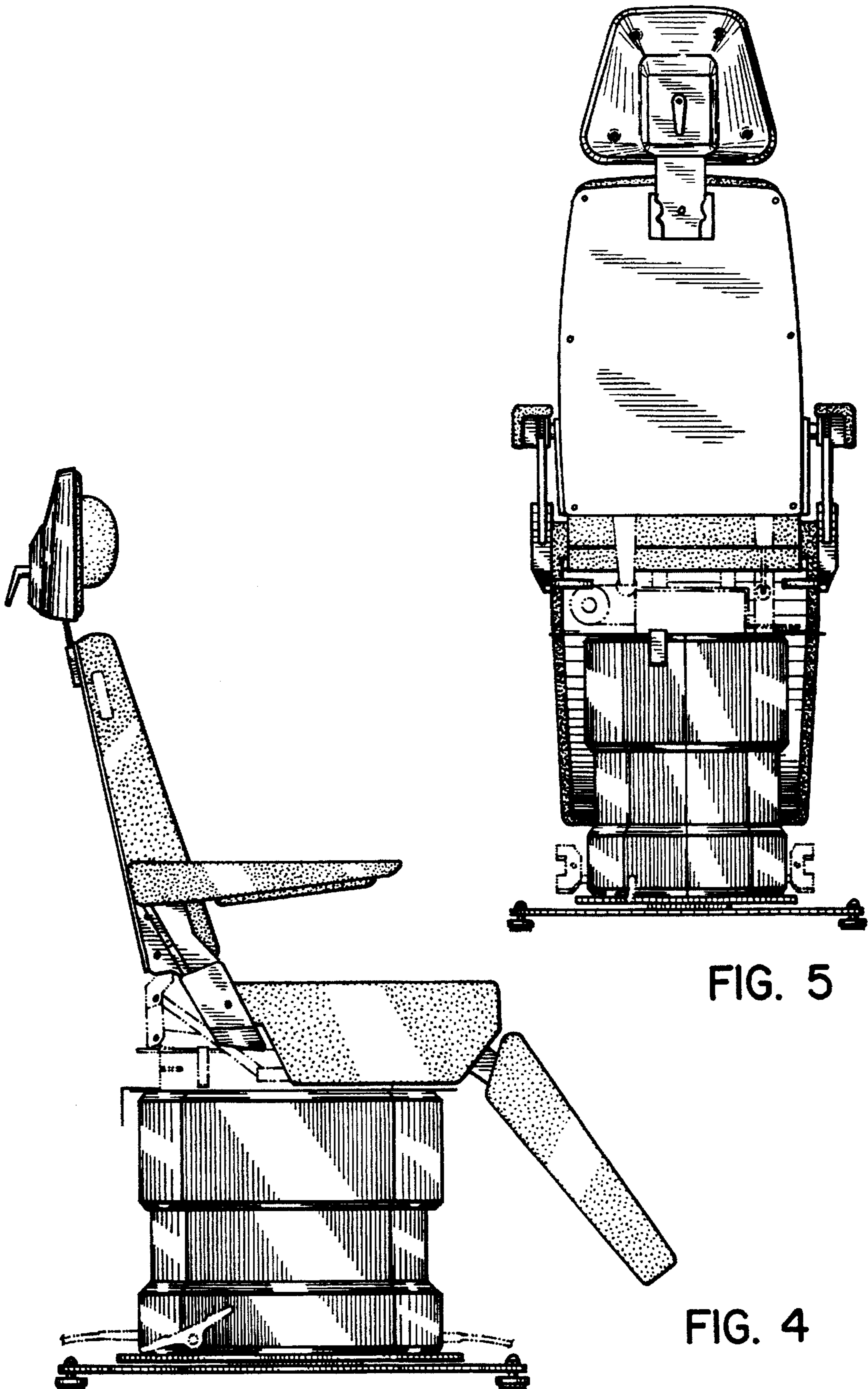


FIG. 5

FIG. 4

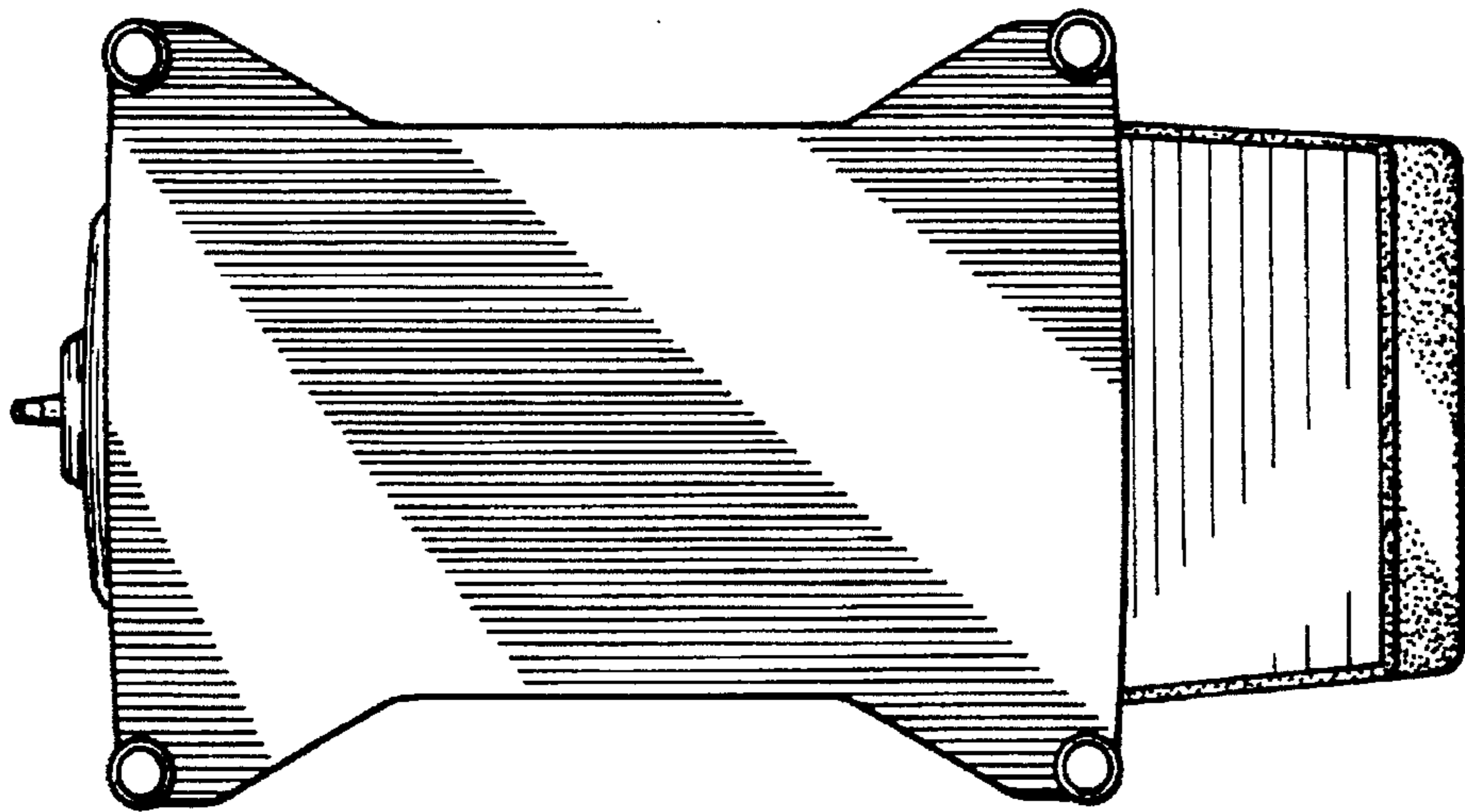


FIG. 7

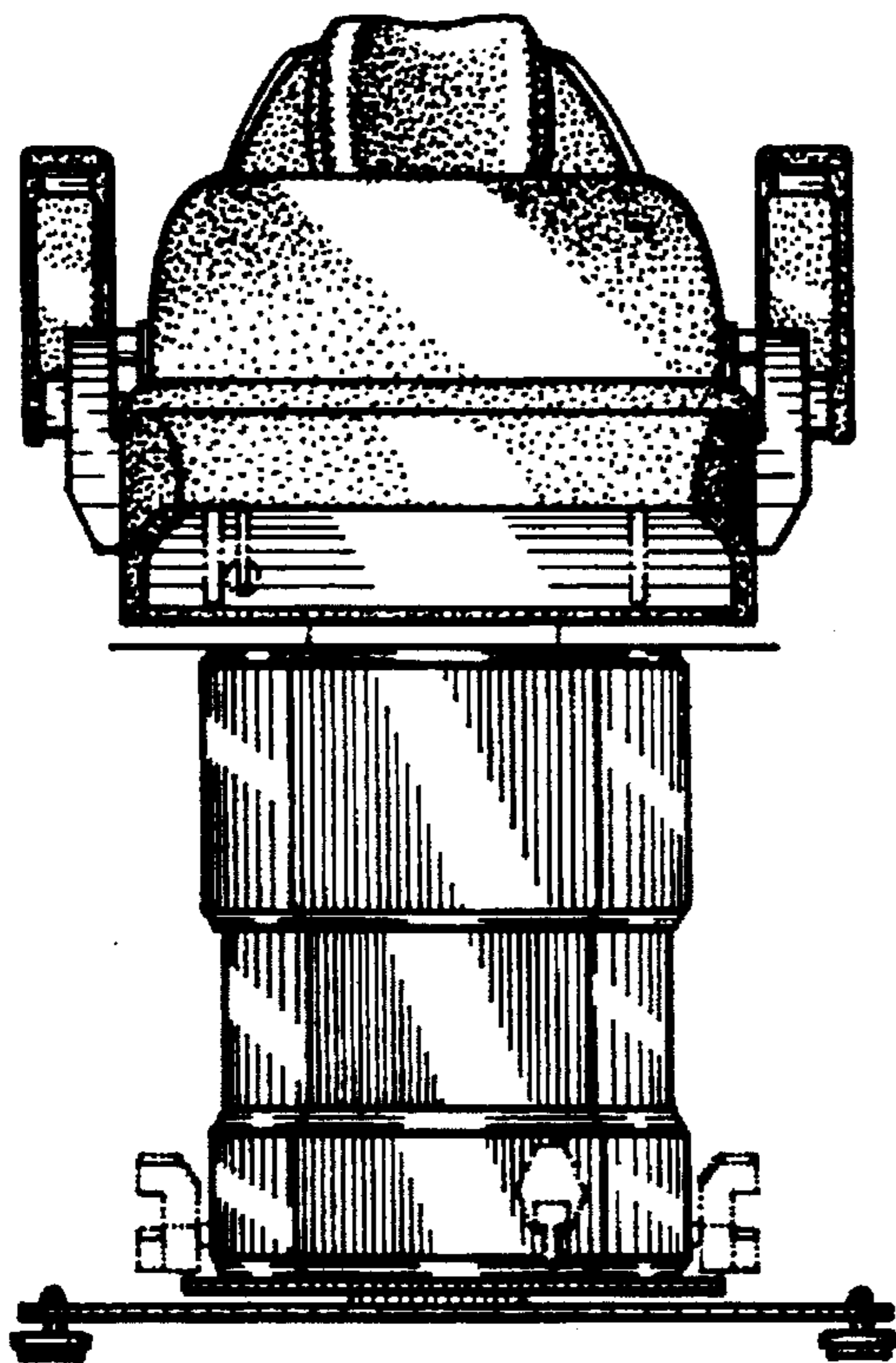


FIG. 8

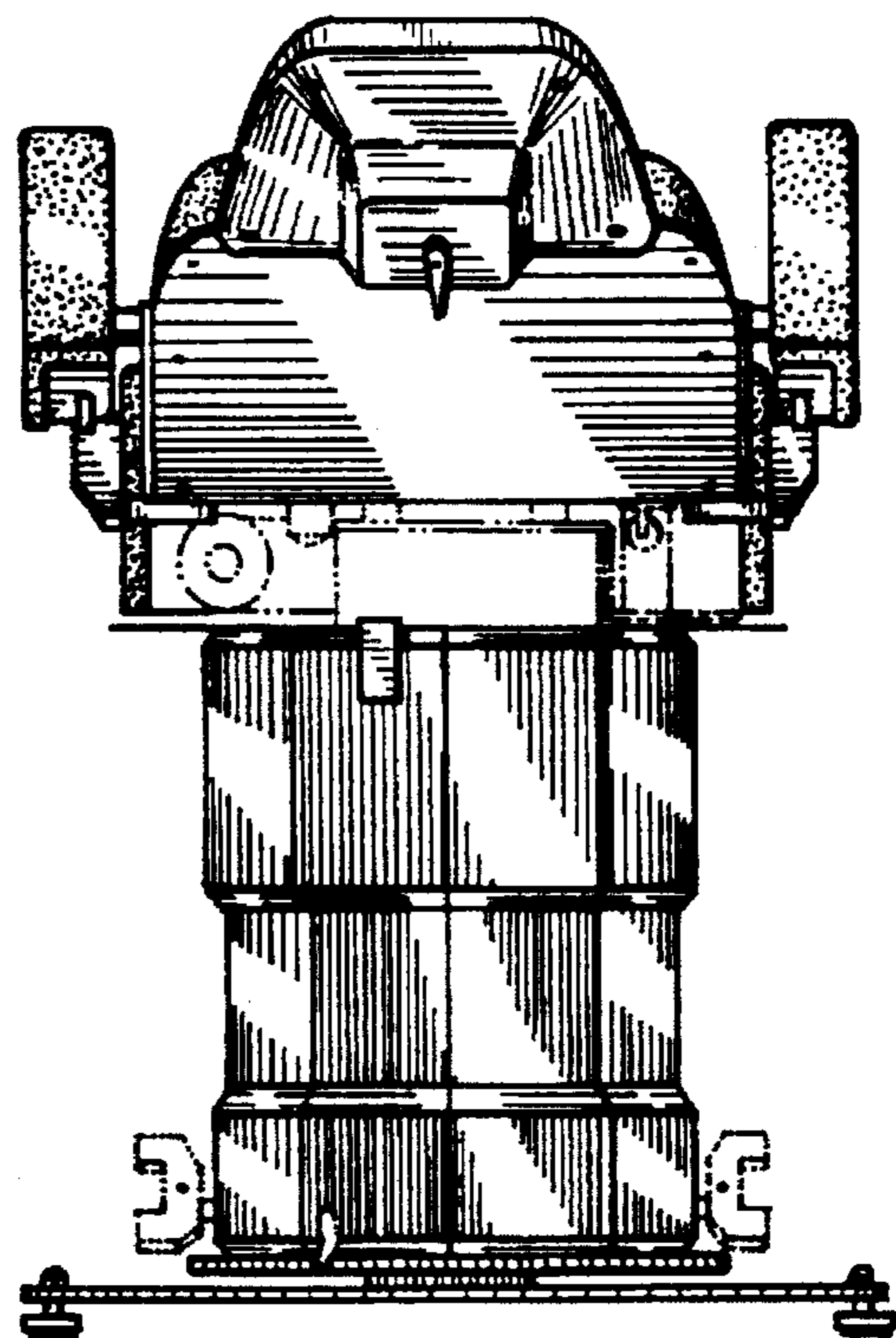


FIG. 11

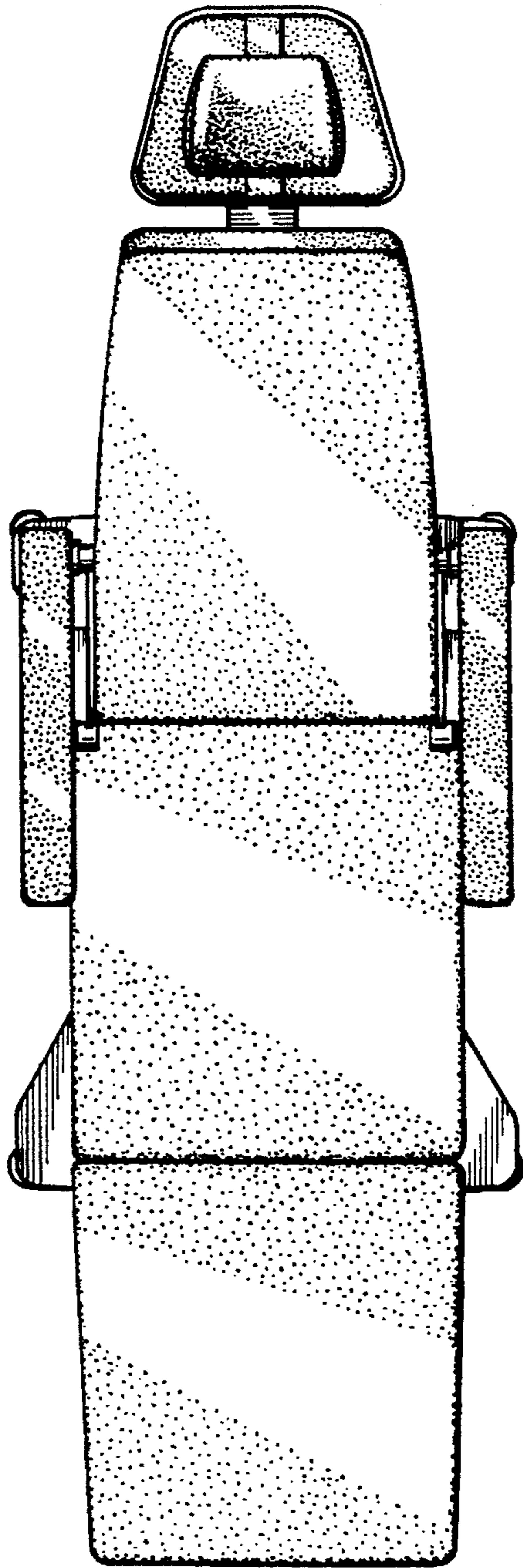


FIG. 12

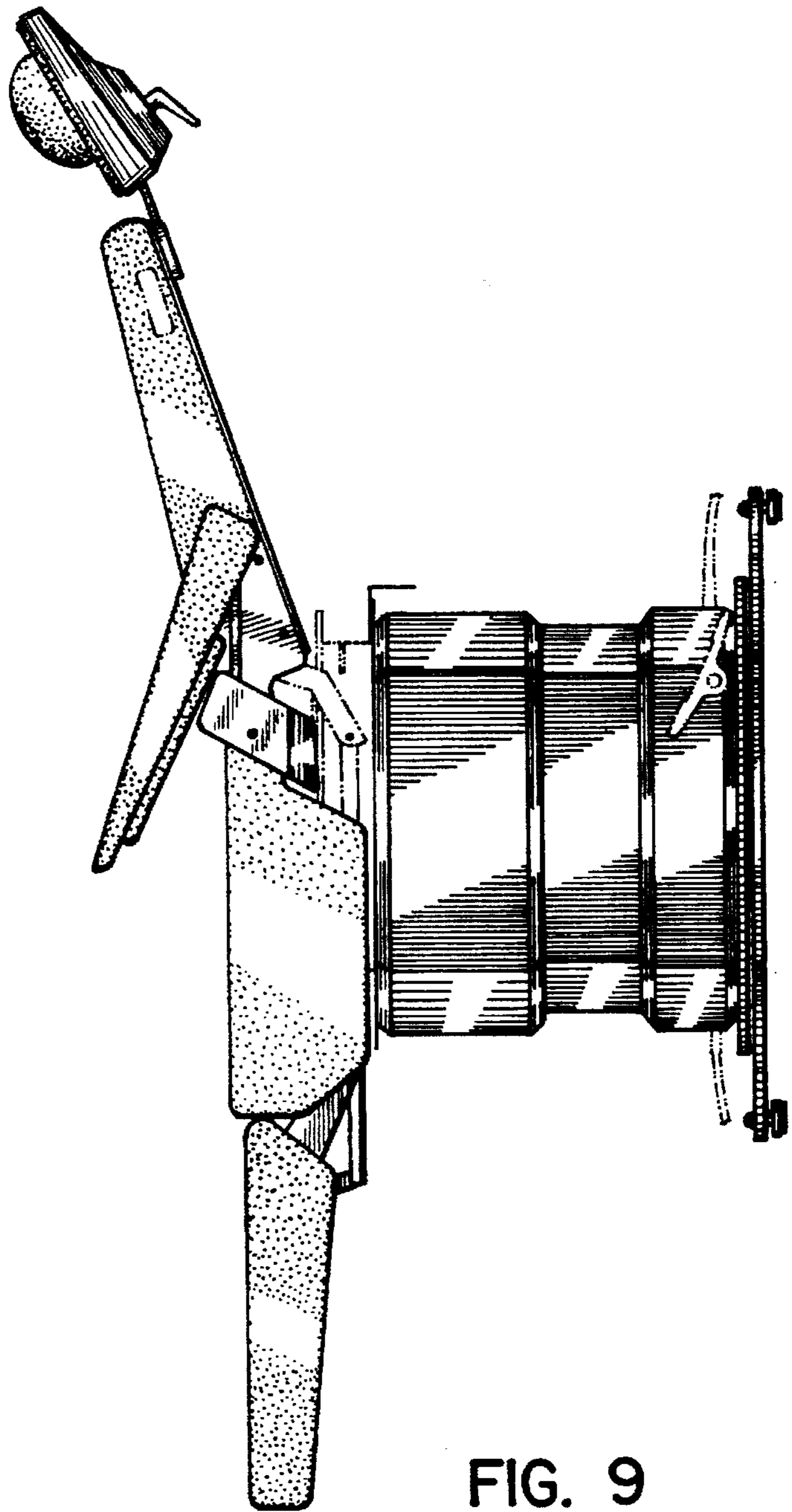


FIG. 9

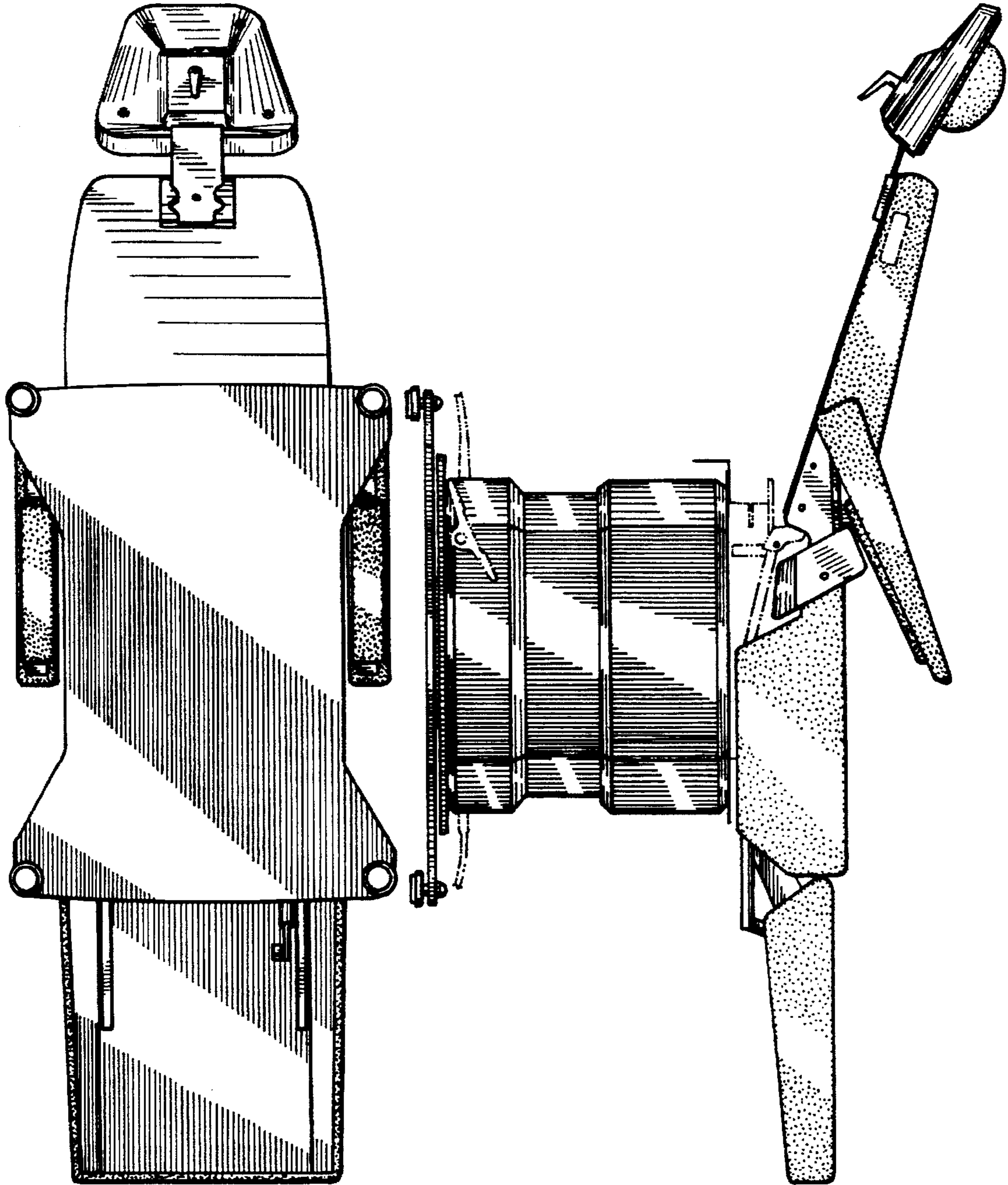


FIG. 13

FIG. 10