



US00D379403S

United States Patent [19]
Jones

[11] **Patent Number: Des. 379,403**
[45] **Date of Patent: **May 20, 1997**

[54] **DRAIN COVER**

[75] **Inventor: Sherry L. Jones, London, Ohio**

[73] **Assignee: American Standard Inc., Piscataway, N.J.**

[**] **Term: 14 Years**

[21] **Appl. No.: 38,144**

[22] **Filed: Apr. 27, 1995**

[51] **LOC (6) Cl. 23-01**

[52] **U.S. Cl. D23/261**

[58] **Field of Search D23/260, 261, D23/303, 304; 4/286-293, 255.07, 680-682, 694; 137/493**

[56] **References Cited**

U.S. PATENT DOCUMENTS

D. 186,421	10/1959	Scully	D23/260
D. 216,694	3/1970	Lause	D23/260
D. 285,169	8/1986	Resan	D23/260 X
3,245,428	4/1966	Klimak et al.	137/493
4,006,498	2/1977	Cuschera	4/286
4,276,662	7/1981	Young	4/287

Primary Examiner—Louis S. Zarfes
Assistant Examiner—Eric Watterson
Attorney, Agent, or Firm—Ann M. Knab; Elaine Brenner Robinson

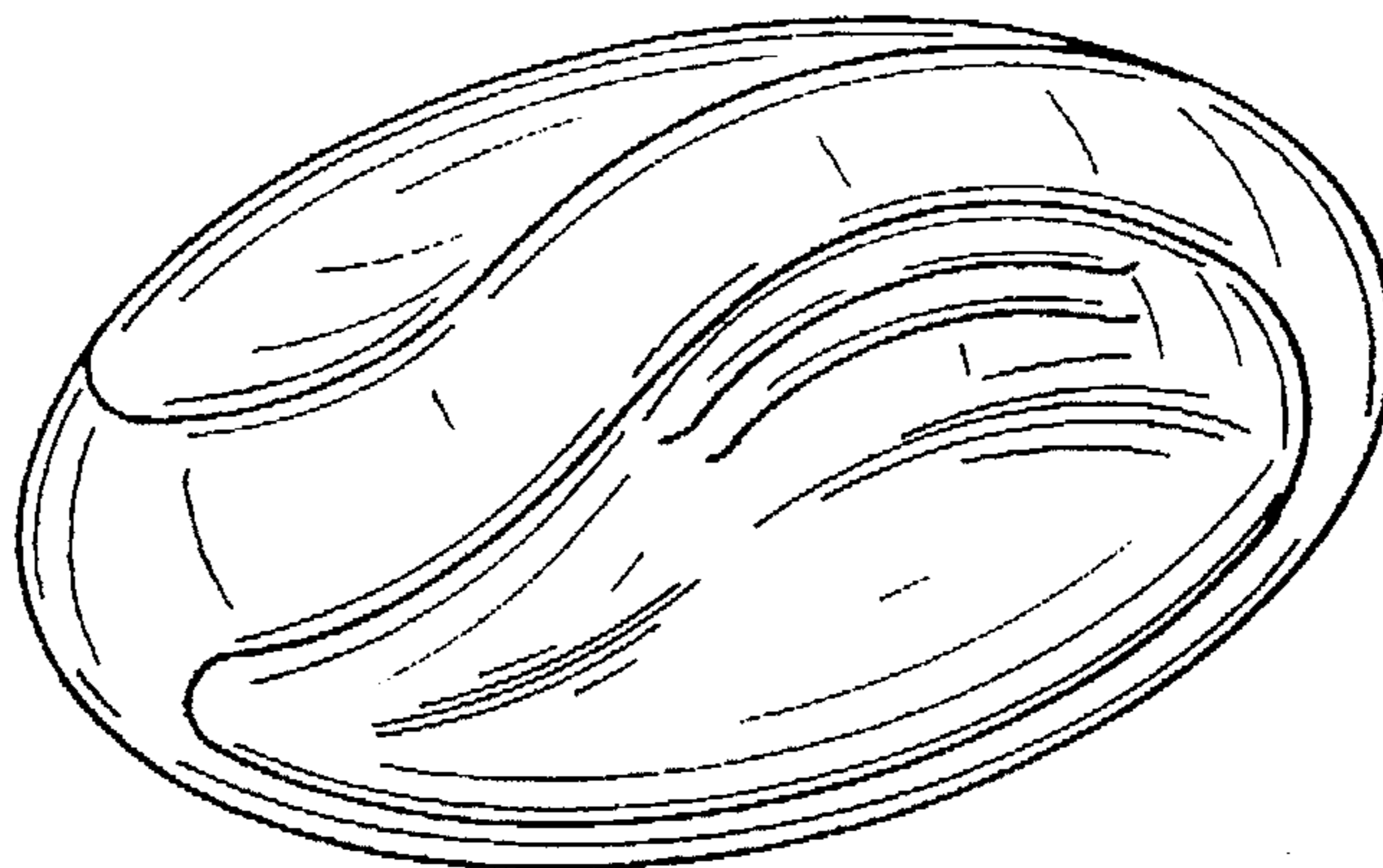
[57] **CLAIM**

The ornamental design for a drain cover, as shown and described.

DESCRIPTION

FIG. 1 is a perspective view of a drain cover showing my new design;
FIG. 2 is a top plan view thereof;
FIG. 3 is a left side elevational view thereof, the right side view being a mirror image of the left side;
FIG. 4 is a front elevational view thereof, the rear view being a mirror image of the front view;
FIG. 5 is a bottom plan thereof;
FIG. 6 is a perspective view of a drain cover showing another embodiment of my new design;
FIG. 7 is a top plan view of FIG. 6;
FIG. 8 is a right side elevational view of FIG. 6;
FIG. 9 is a front elevational view of FIG. 6;
FIG. 10 is a rear elevational view of FIG. 6;
FIG. 11 is a bottom plan of FIG. 6; and,
FIG. 12 is a left side elevational view of FIG. 6.

1 Claim, 4 Drawing Sheets



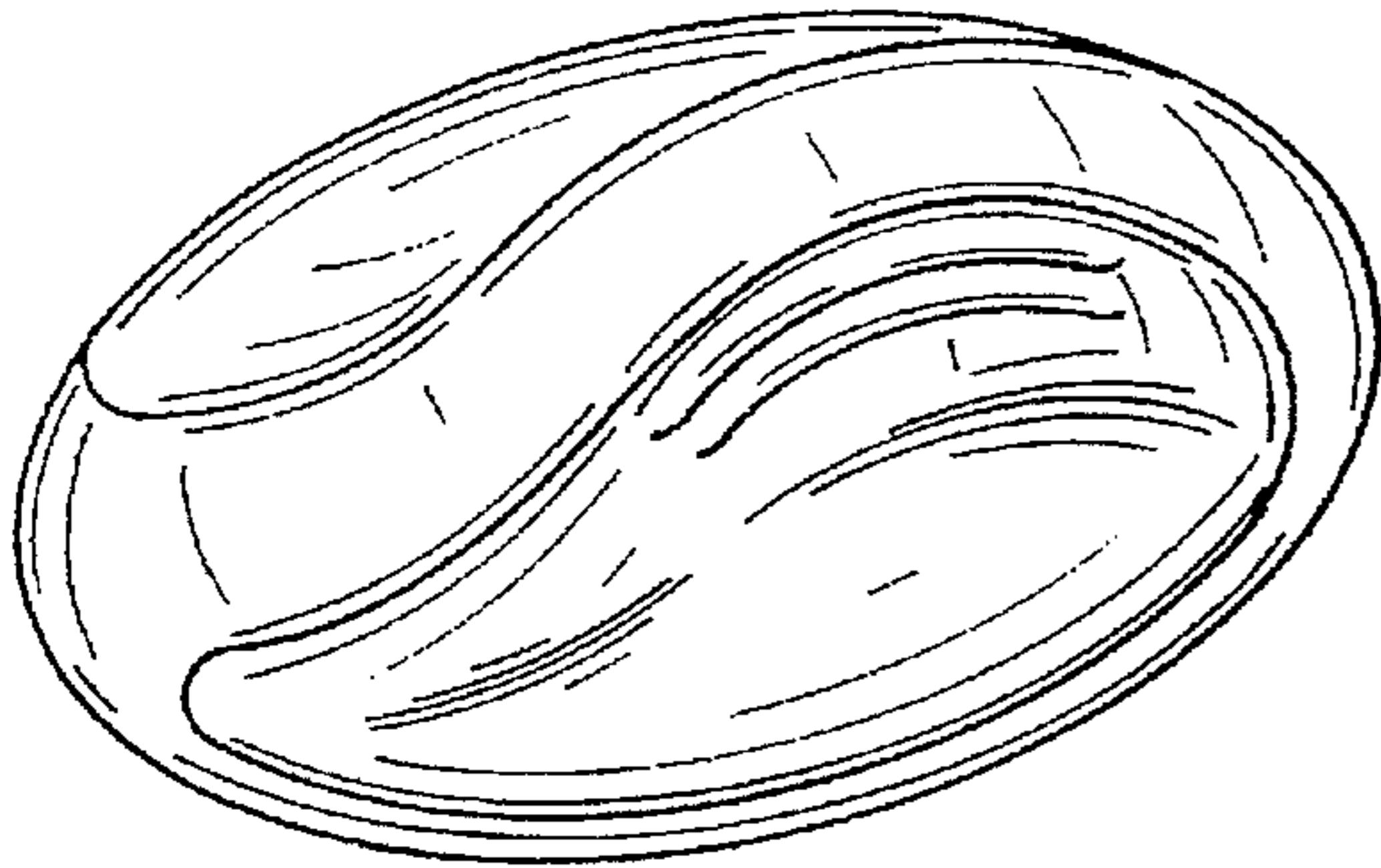


FIG. 1

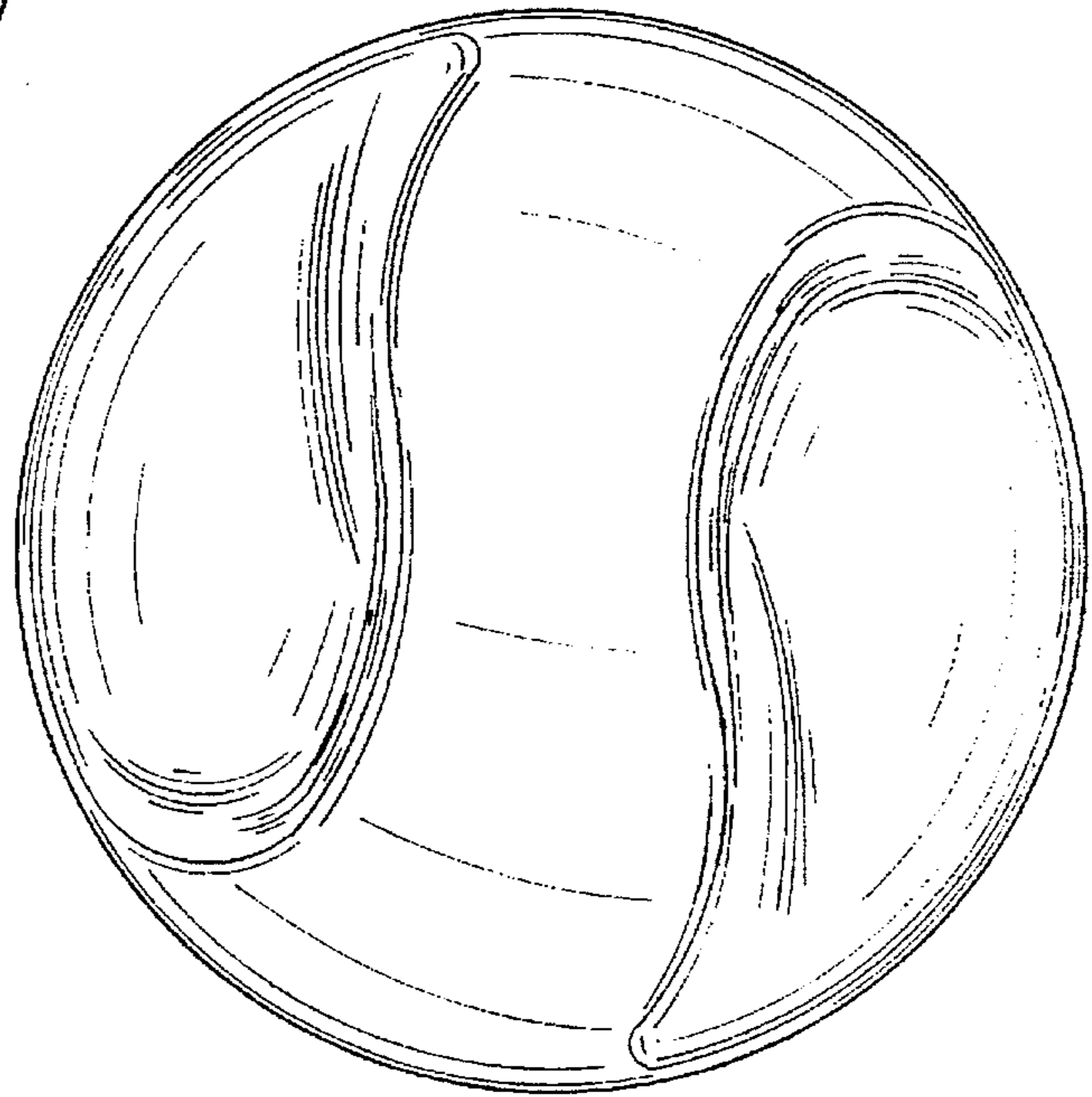


FIG. 2

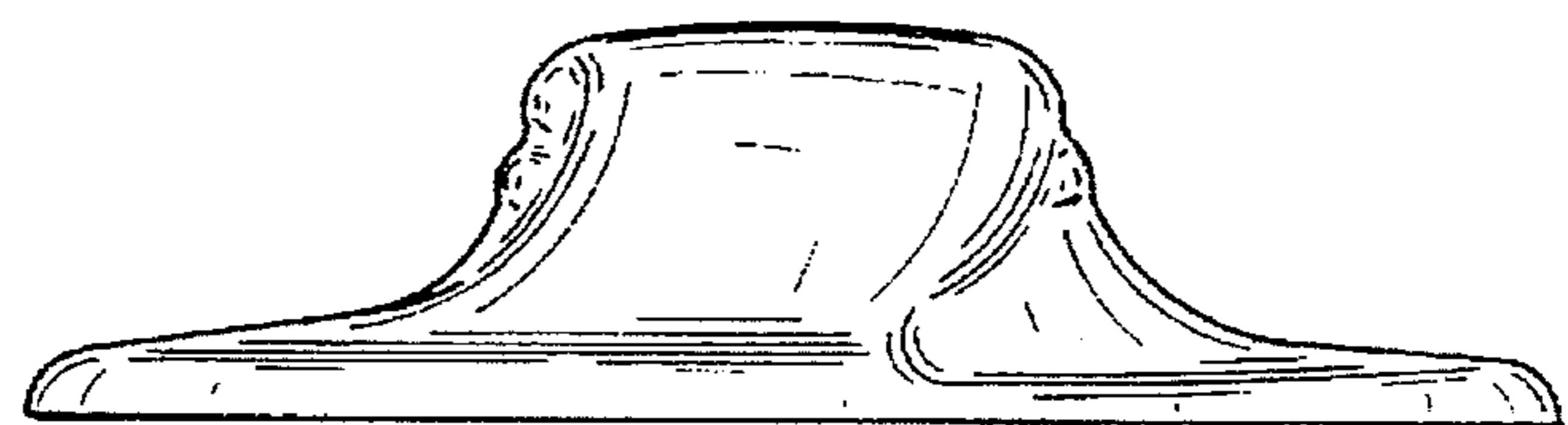


FIG. 3

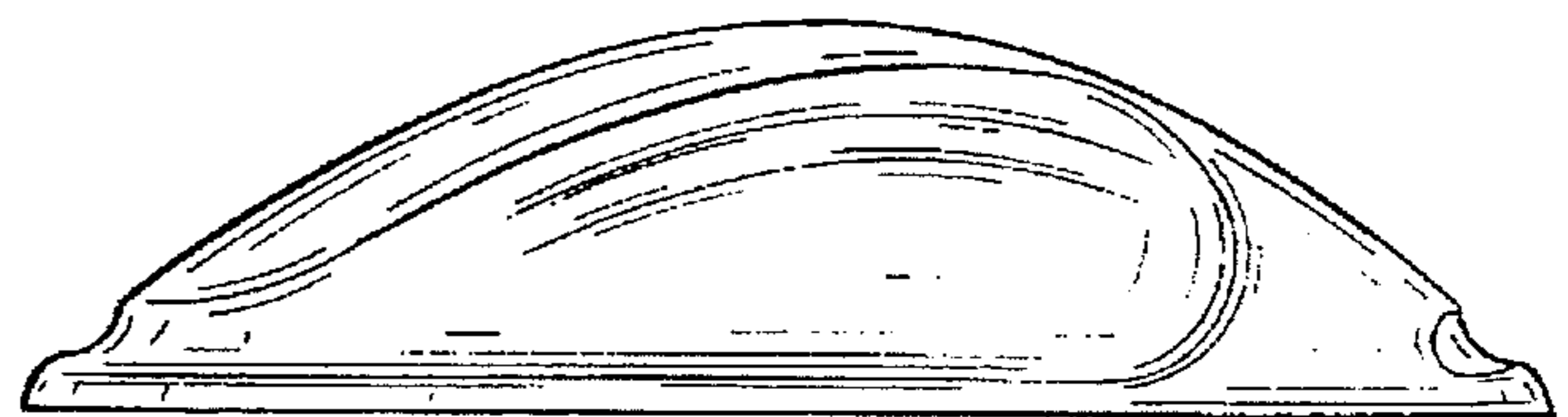


FIG. 4

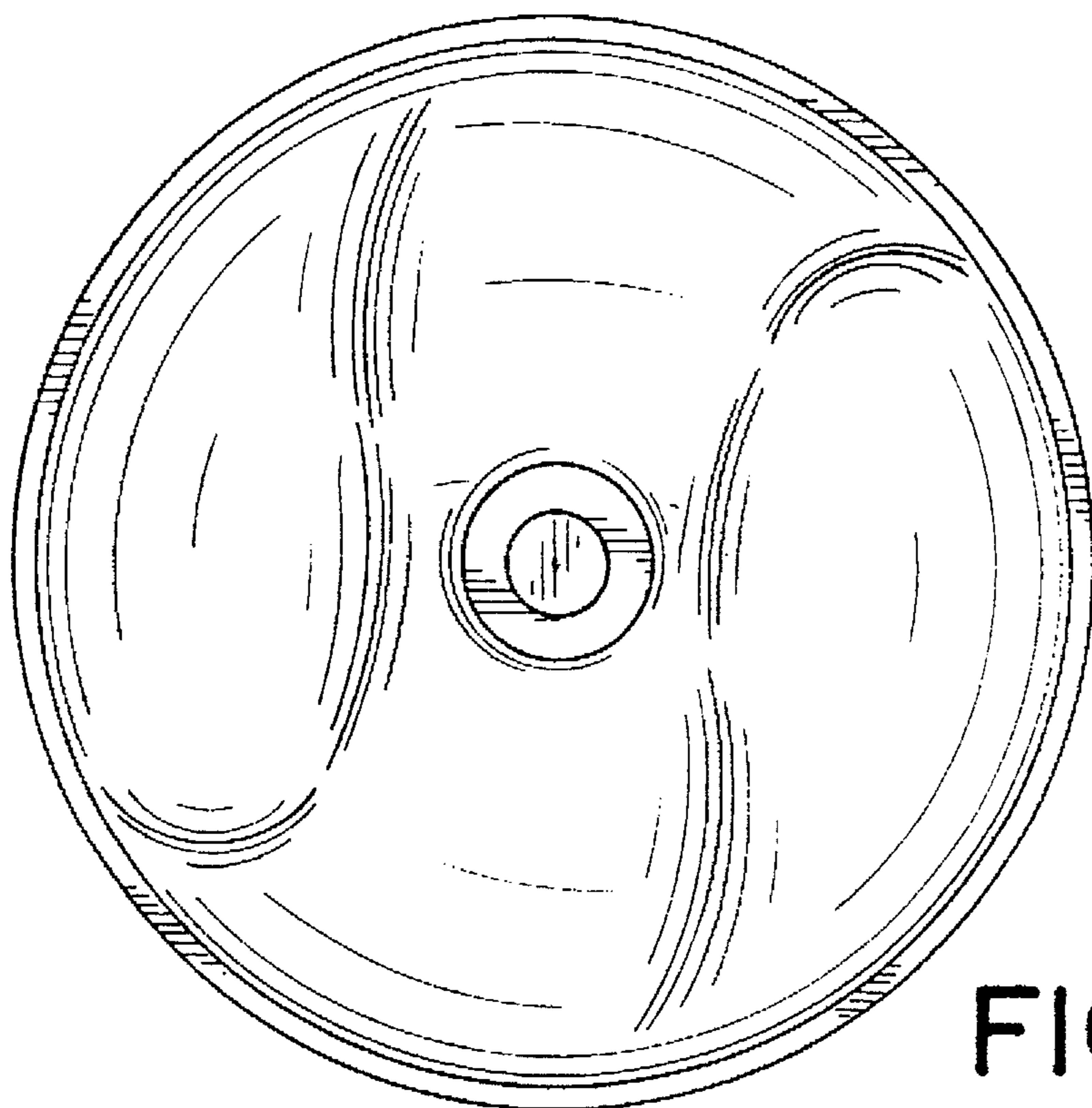


FIG. 5

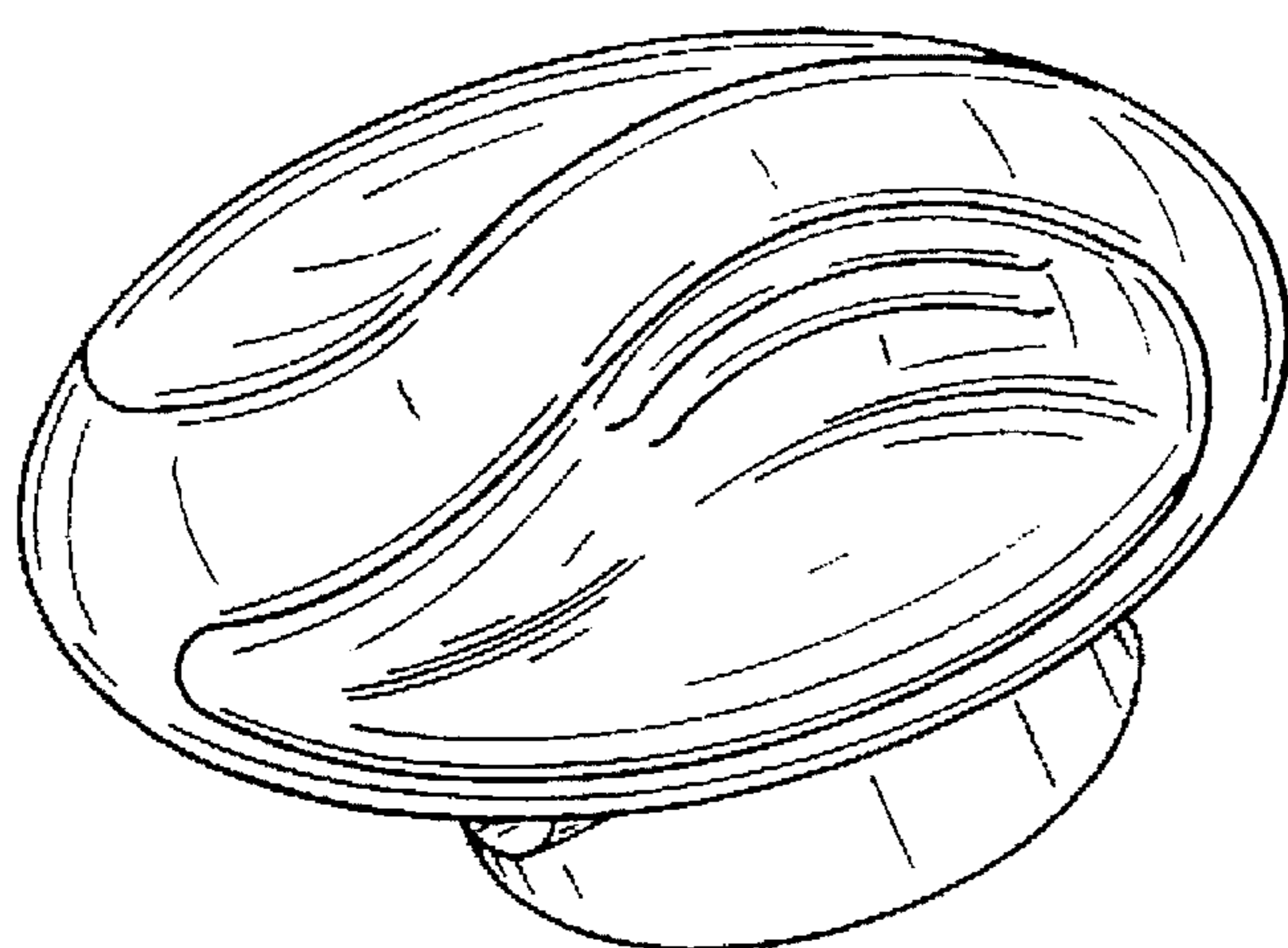


FIG. 6

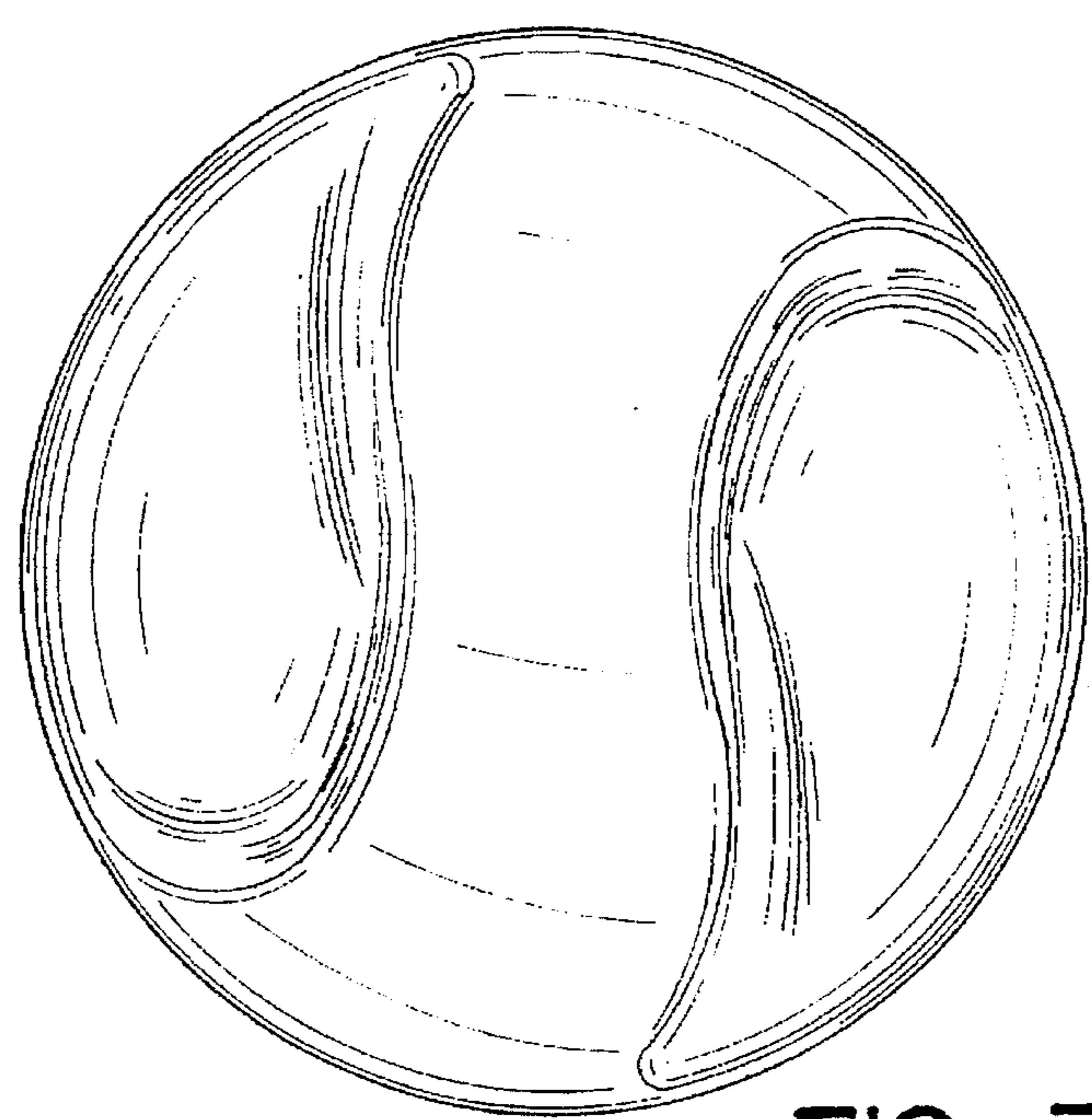


FIG. 7

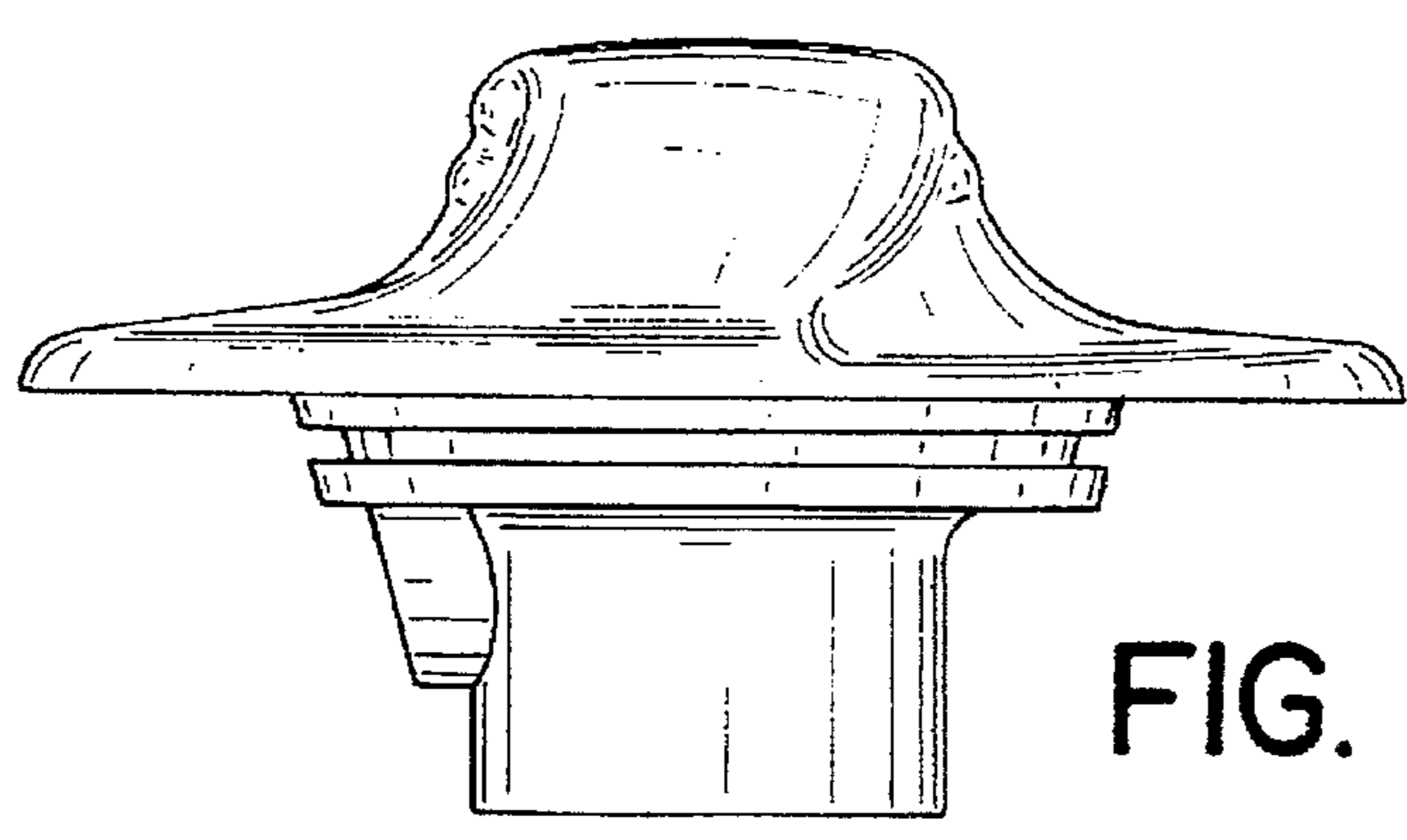


FIG. 8

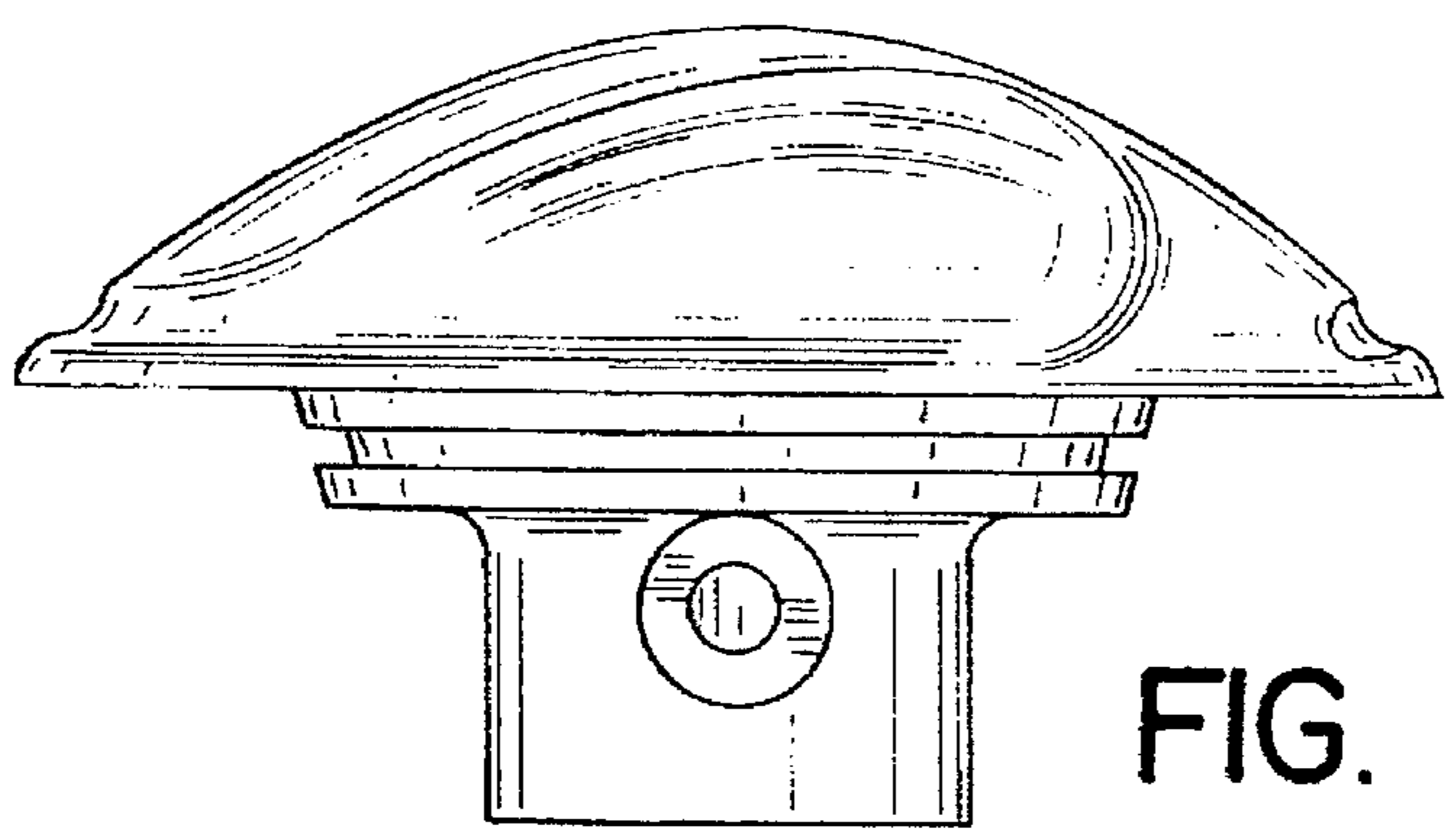


FIG. 9

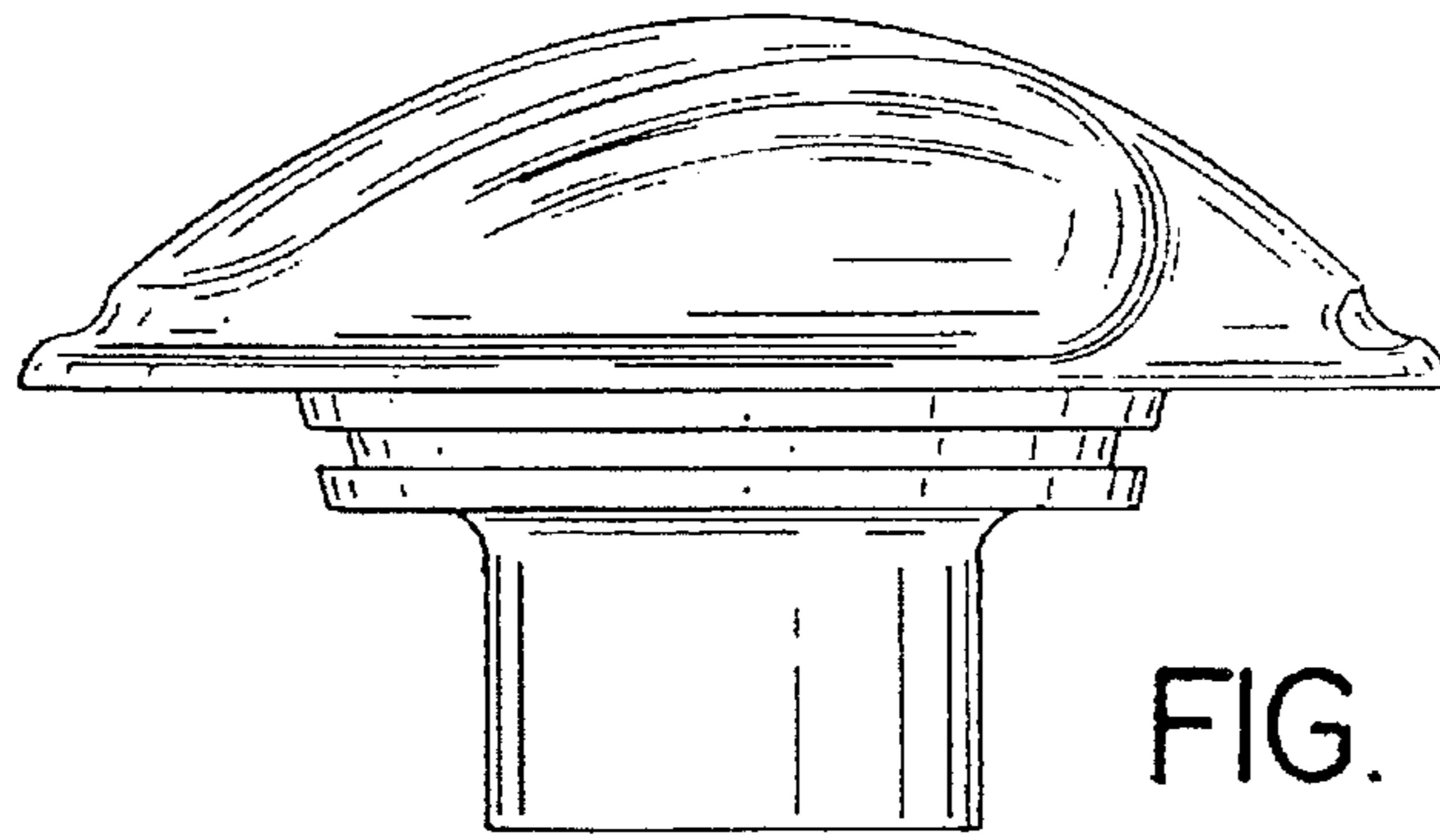


FIG. 10

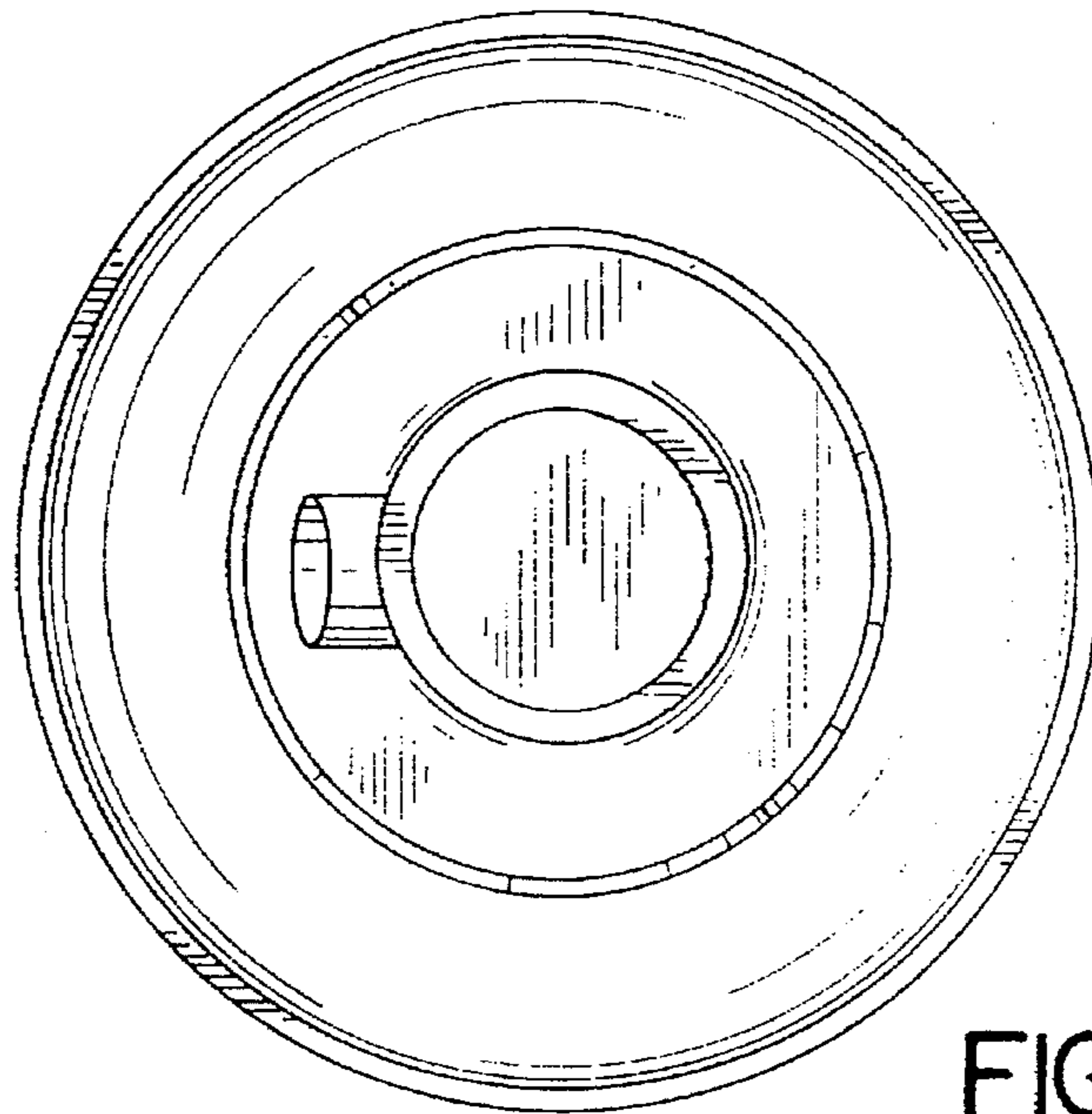


FIG. 11

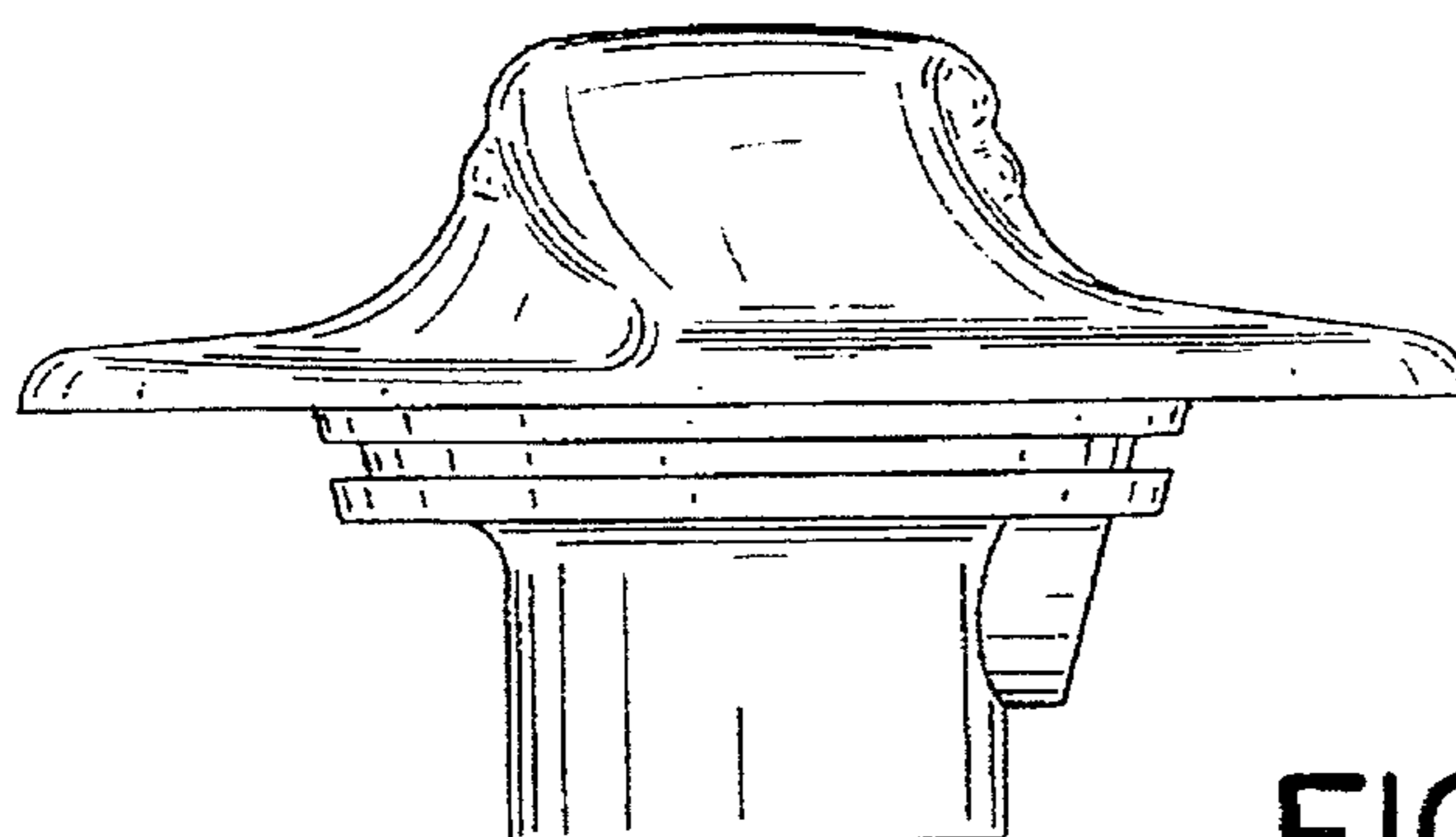


FIG. 12