



US00D379396S

United States Patent [19]

Rongo et al.

[11] Patent Number: Des. 379,396

[45] Date of Patent: **May 20, 1997

[54] BOUYANT VEST FOR SWIMMERS

[76] Inventors: **John D. Rongo; Patricia Rongo**, both of 9 Namoth Rd., Wappinger Falls, N.Y. 12590

[**] Term: 14 Years

[21] Appl. No.: 46,462

[22] Filed: Nov. 14, 1995

[51] LOC (6) Cl. 29-02

[52] U.S. Cl. D21/238

[58] Field of Search D21/236-238; 441/102, 106, 108, 110, 112, 116, 118, 119, 115

[56] **References Cited**

U.S. PATENT DOCUMENTS

- D. 228,811 10/1973 Maxey et al. D21/238
- D. 290,922 7/1987 Herrera D21/238
- 1,754,342 4/1930 Tubiolo .

- 1,843,527 2/1932 Tubiolo .
- 1,947,005 2/1934 Gunther .
- 3,261,042 7/1966 Baker D21/238
- 4,561,853 12/1985 Faulconer et al. .

Primary Examiner—Kay H. Chin
Attorney, Agent, or Firm—Dennis H. Lambert

[57] **CLAIM**

The ornamental design for a bouyant vest for swimmers, as shown and described.

DESCRIPTION

FIG. 1 is a front, top and side perspective view of the bouyant vest for swimmers embodying the design of the present invention;

FIG. 2 is a front elevatoinal view thereof;

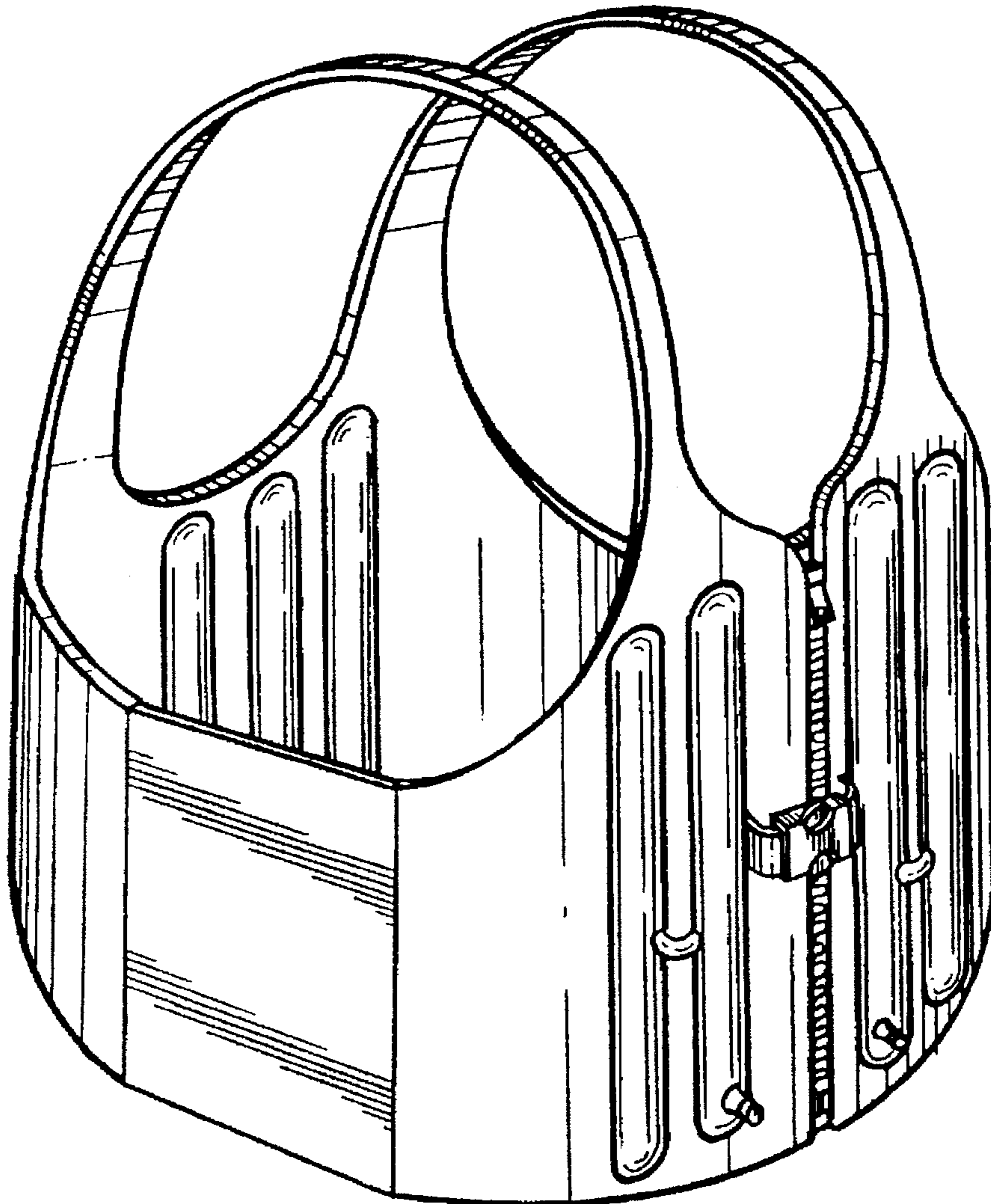
FIG. 3 is a rear elevational view thereof;

FIG. 4 is a side elevational view thereof;

FIG. 5 is a top plan view thereof; and,

FIG. 6 is a bottom plan view thereof.

1 Claim, 3 Drawing Sheets



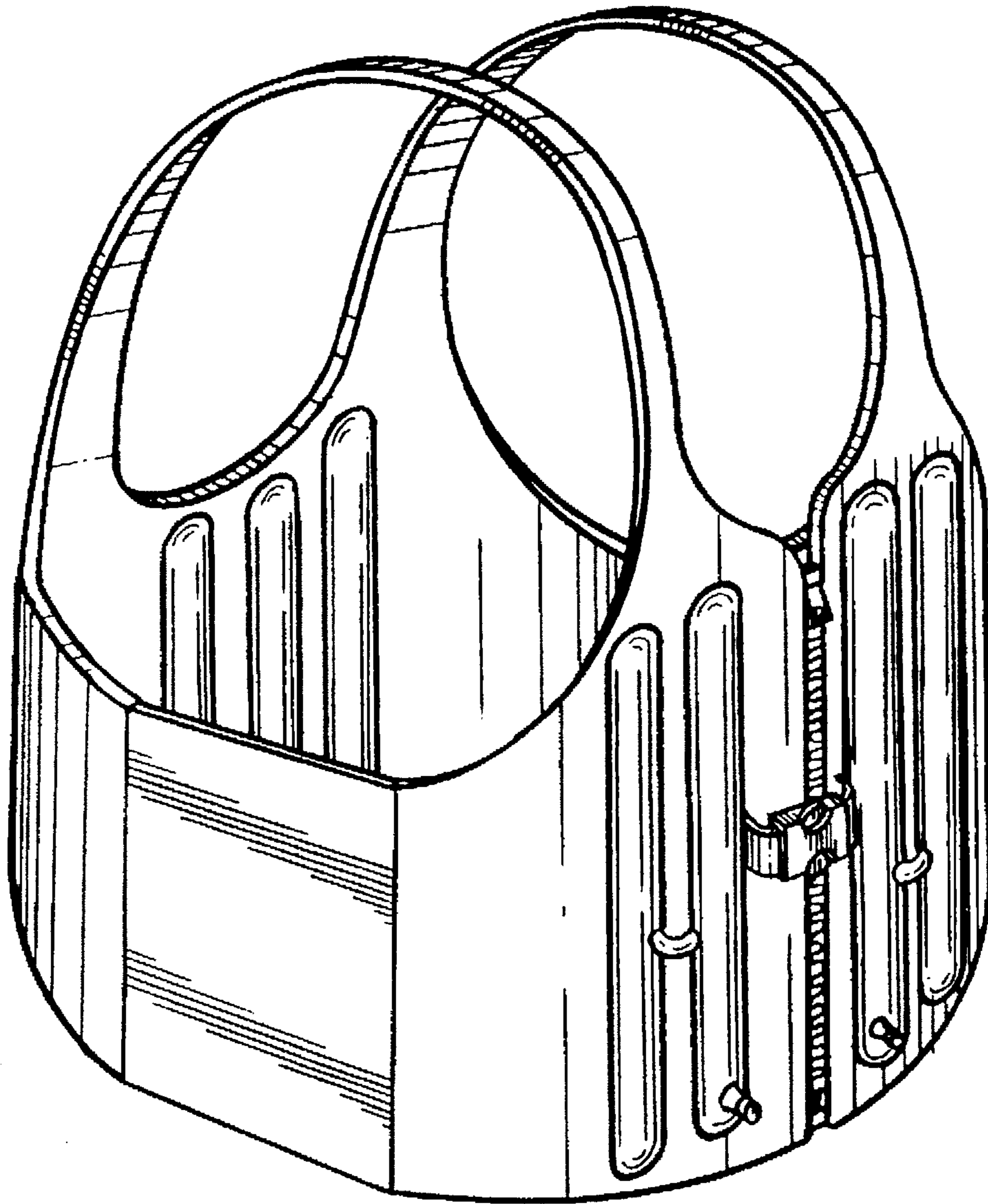


FIG. 1.

FIG. 2.

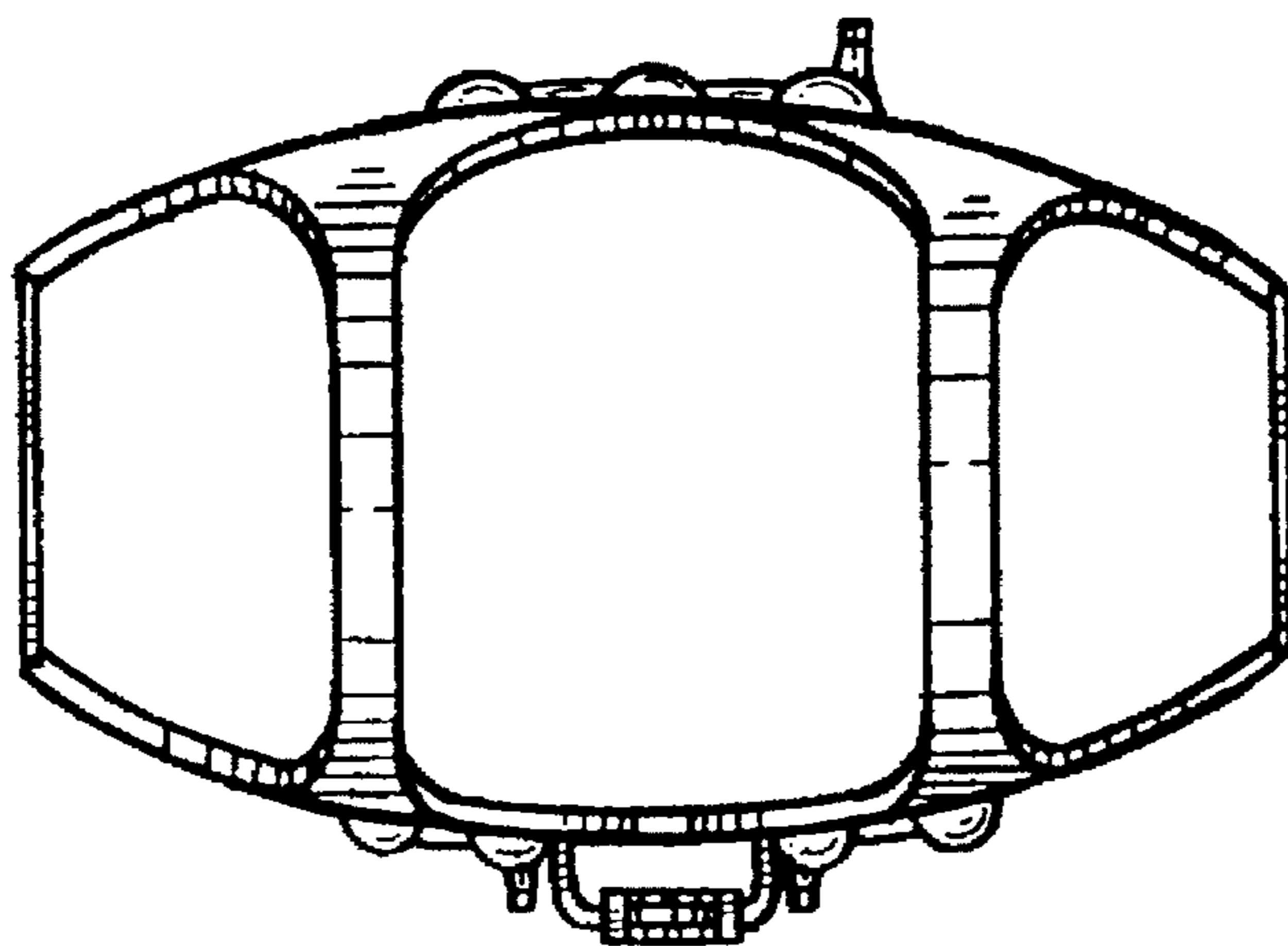
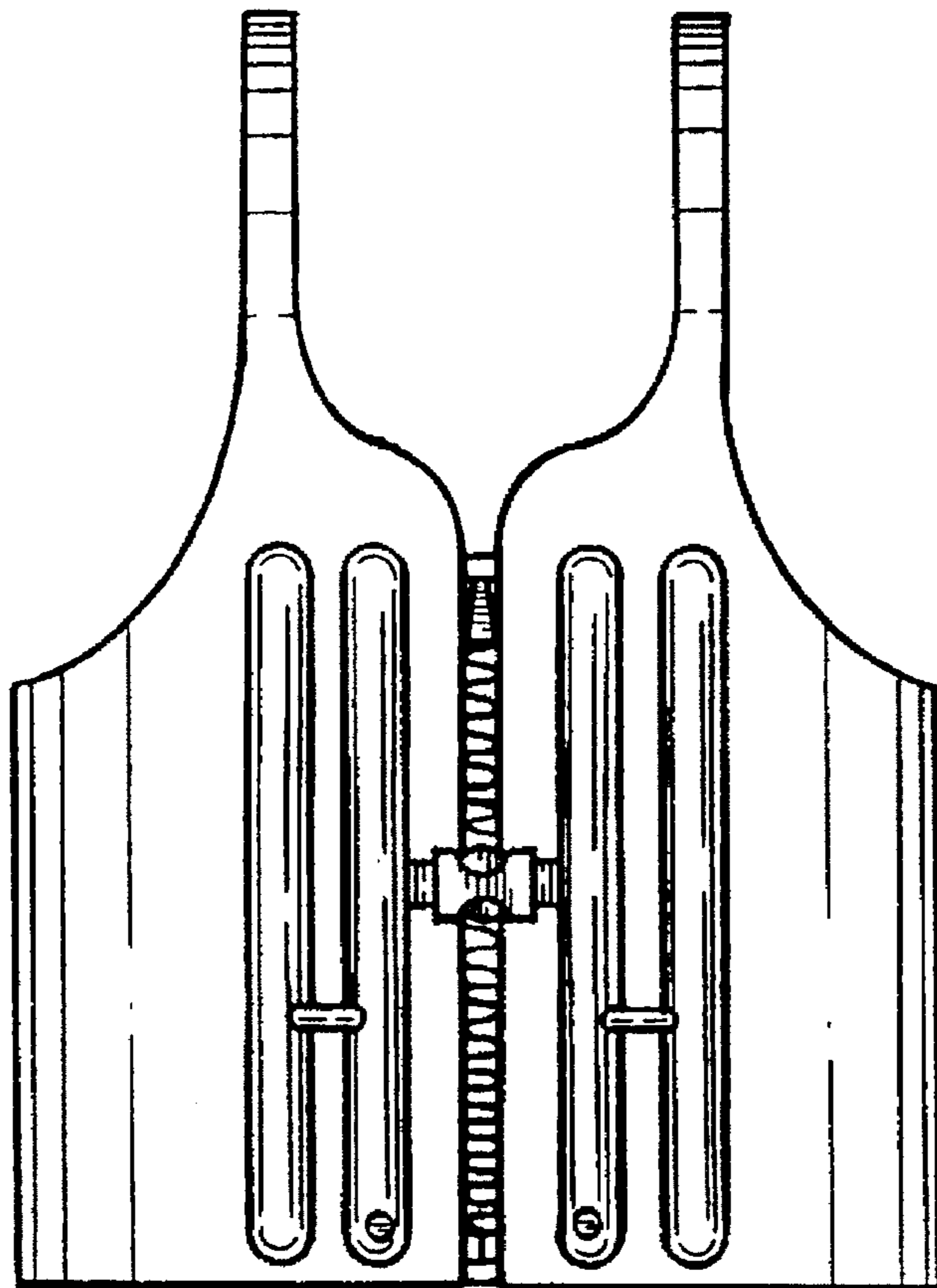


FIG. 5.

FIG. 4.

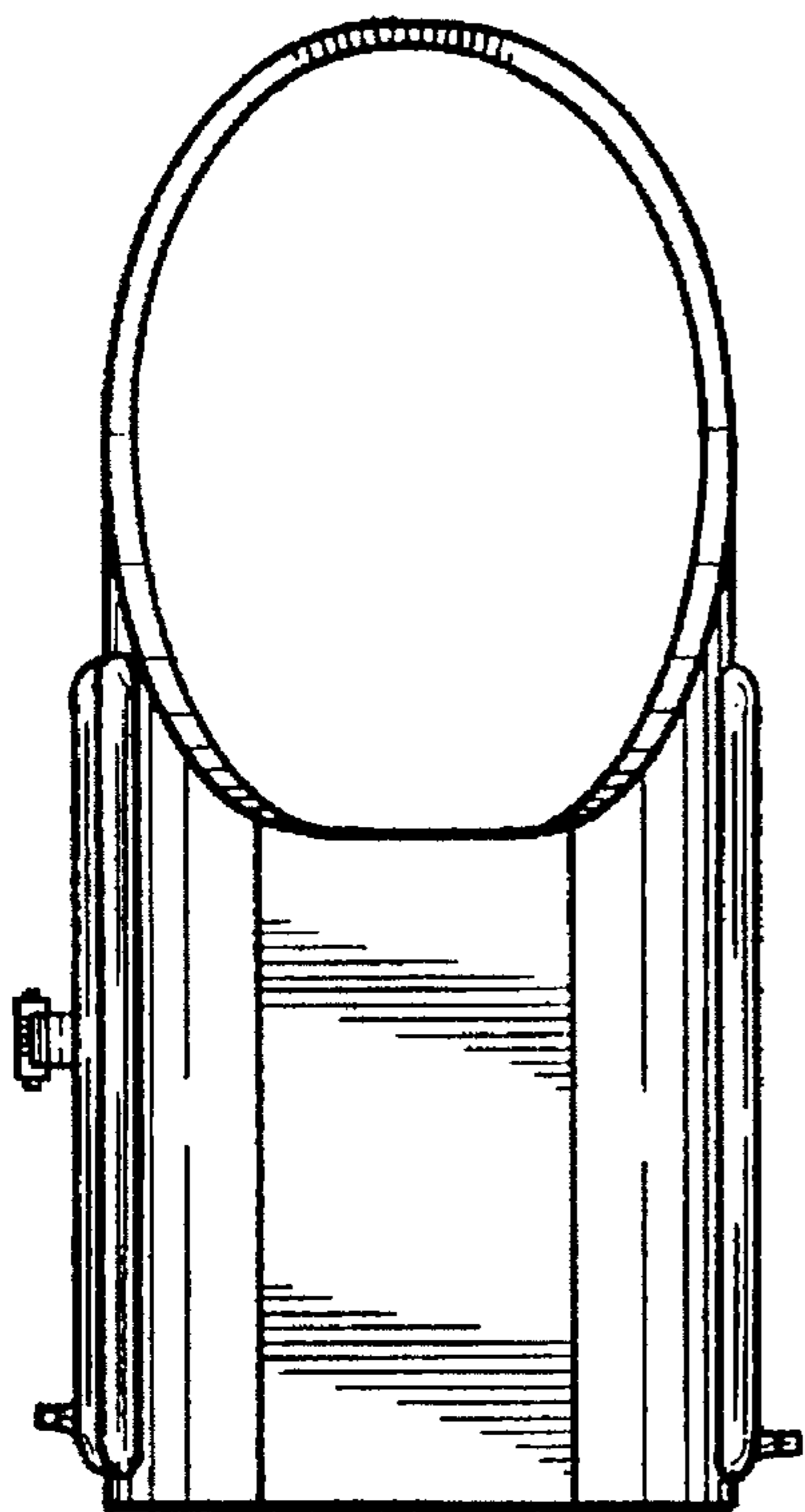


FIG. 3.

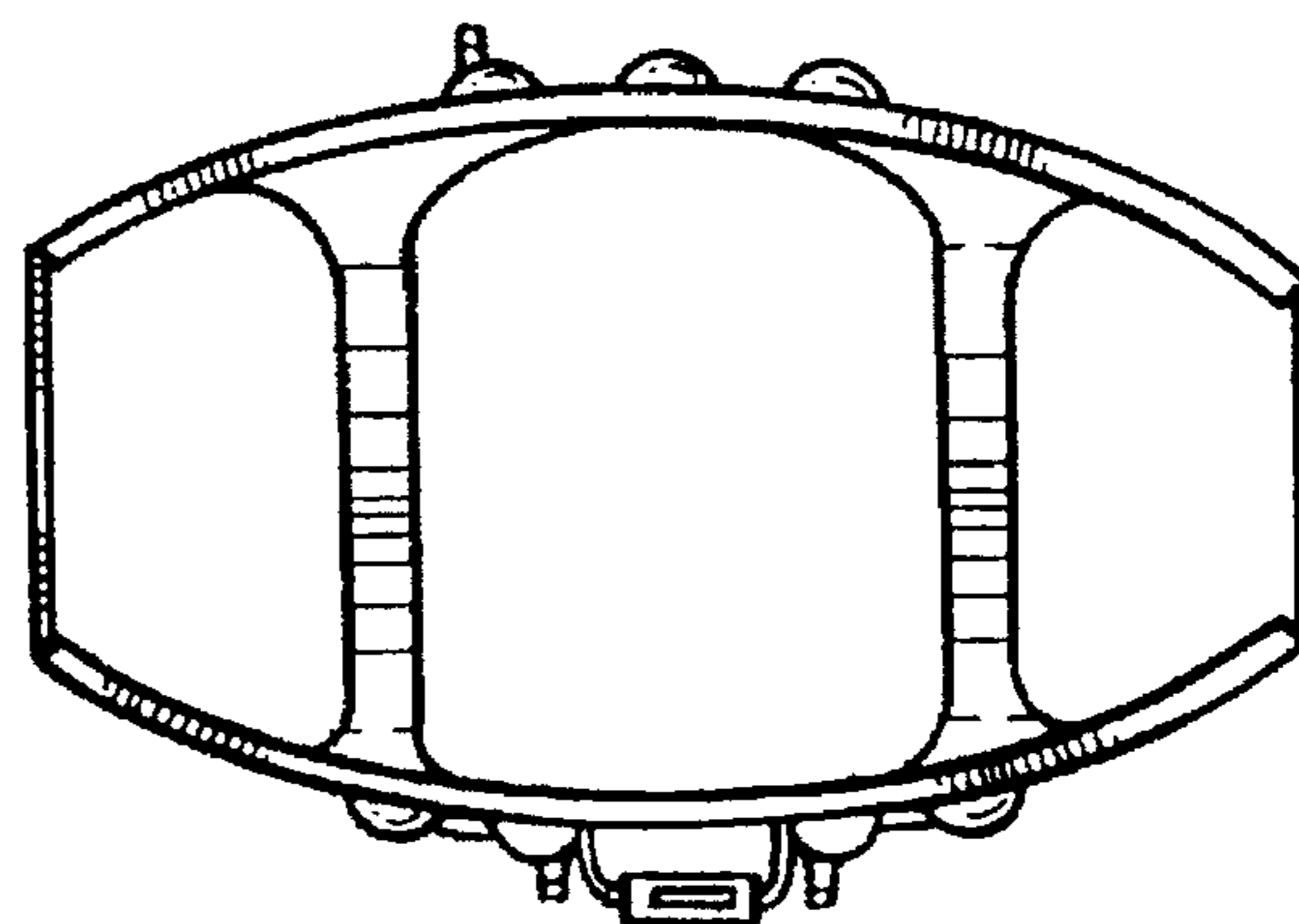
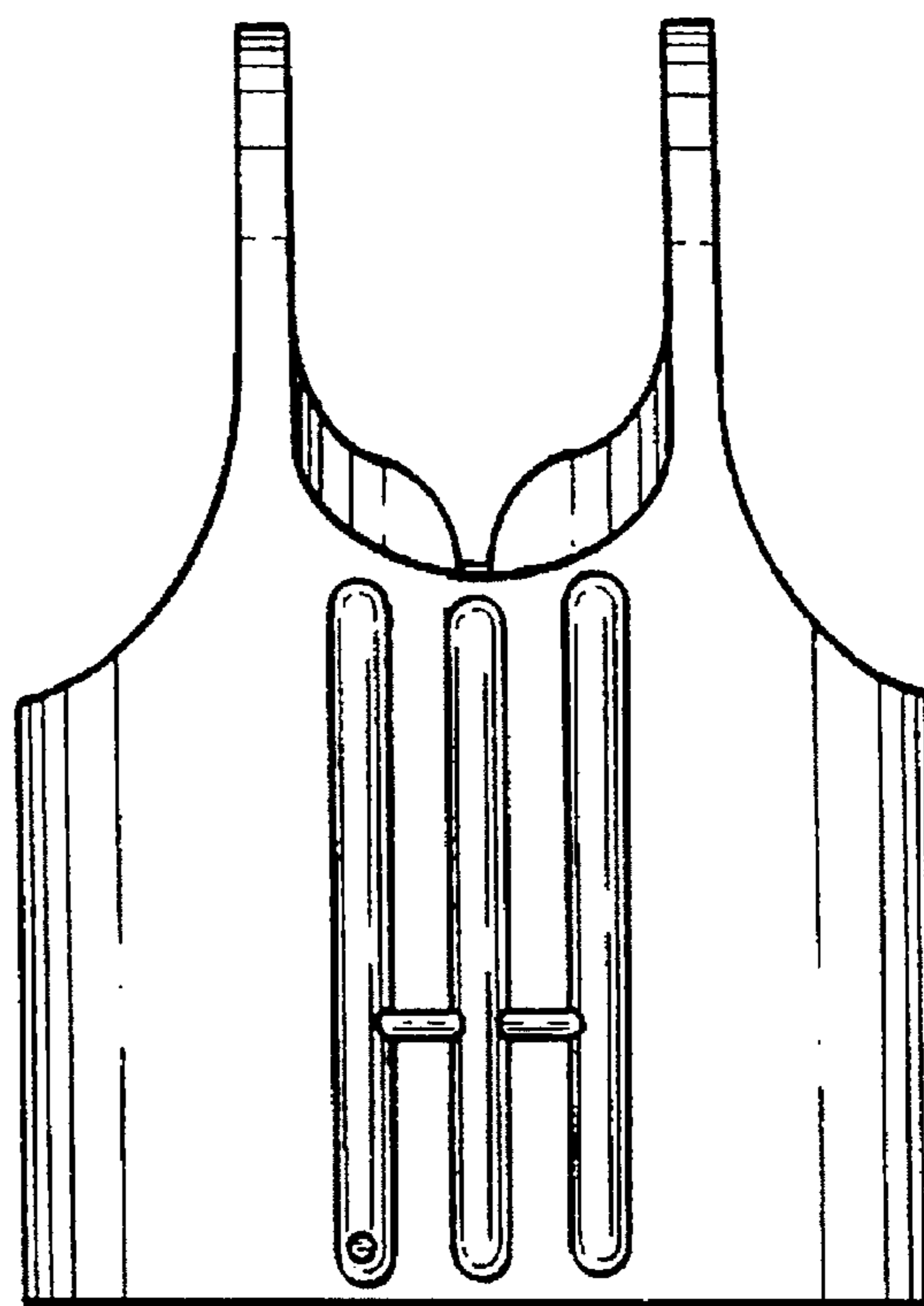


FIG. 6.